

PARTS LIST

for JACOBSEN[®]
36" TILLER ATTACHMENT
NO. 59731

for GT SERIES TRACTORS

No. 53200, 53215, 53275 and 53300

SERIAL NO. 1601 AND UP



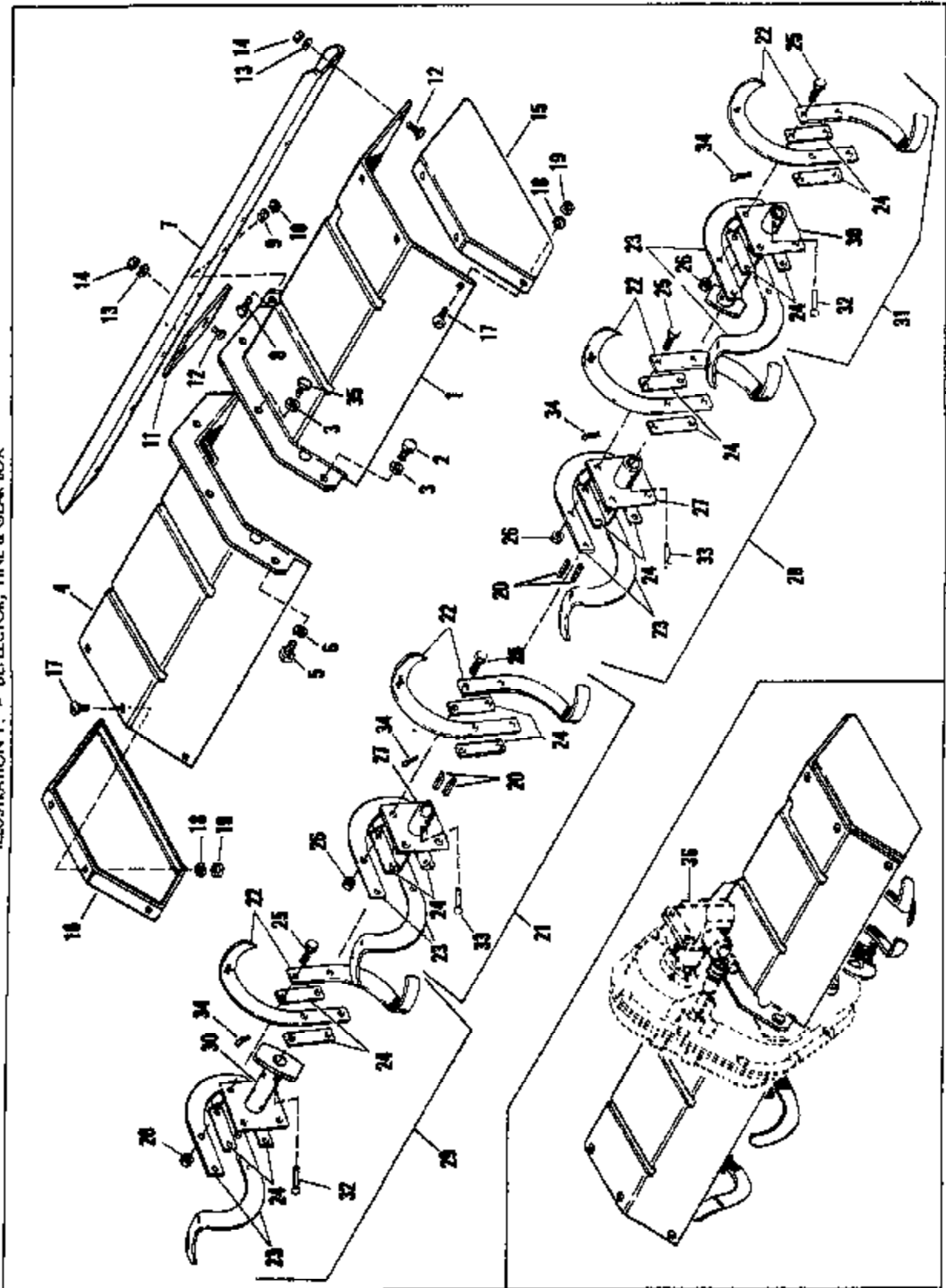
JACOBSEN MANUFACTURING COMPANY

A Member Company of Allegheny Ludlum Industries

RACINE, WISCONSIN 53403

Part No. 352882

ILLUSTRATION I. - DEFLECTOR, TINE & GEAR BOX

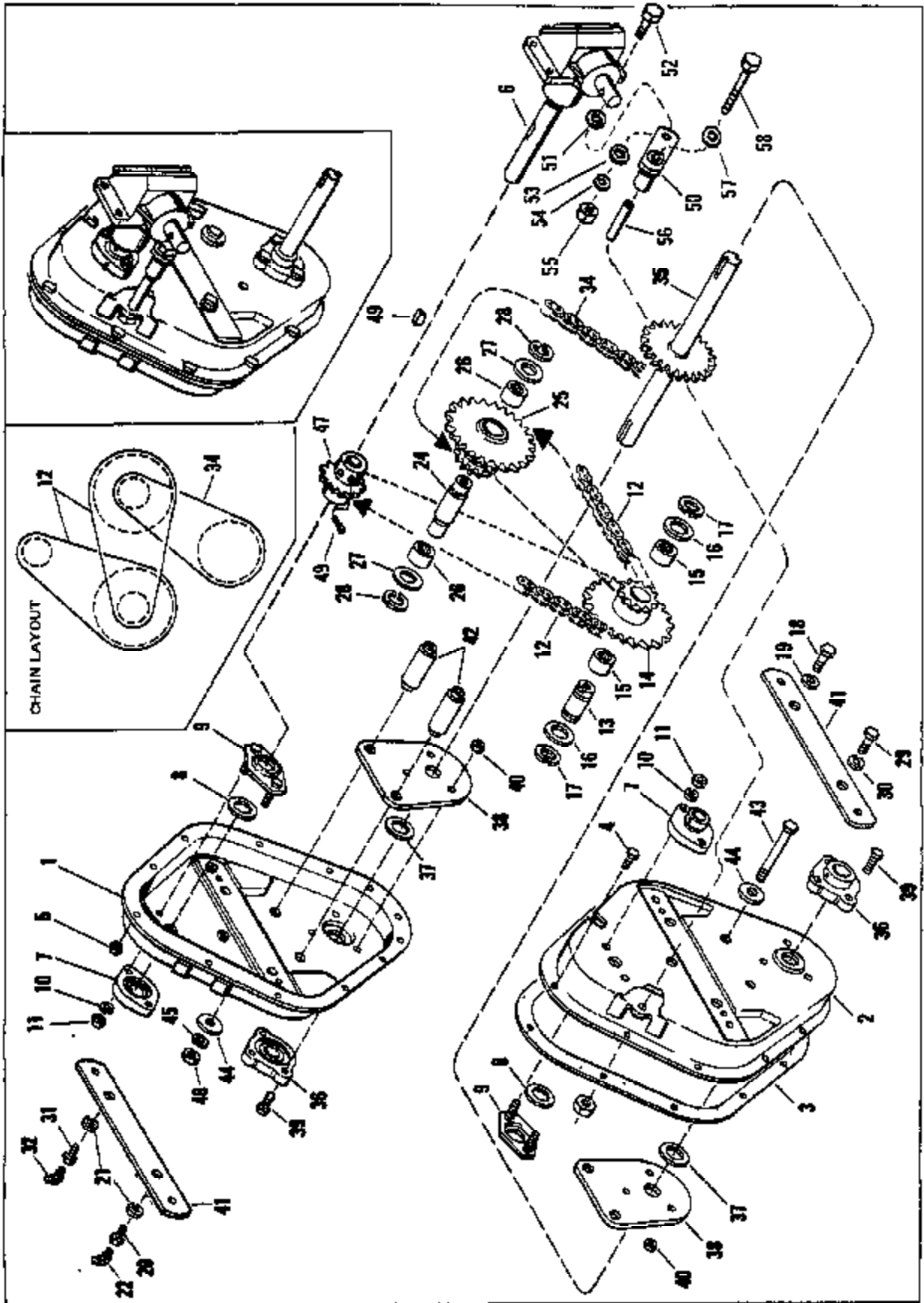


PARTS LIST - ILLUSTRATION 1.

Ref. No.	Part No.	Quant.	Description
1	500938	1	Deflector Assembly (L.H.)
2	400262	2	Screw, 3/8-16 x 1 Hex Hd Cap
3	446142	2	Lockwasher, 3/8
4	500934	1	Deflector Assembly (R.H.)
5	400262	2	Screw, 3/8-16 x 1 Hex Hd Cap
6	446142	2	Lockwasher, 3/8
7	546154	1	Reinforcement Channel
8	400260	2	Screw, 3/8-16 x 7/8 Hex Hd Cap
9	446142	2	Lockwasher, 3/8
10	443110	2	Nut, 3/8-16 Hex
11	546157	1	Shield
12	441802	7	Bolt, 5/16-18 x 3/4 Carriage
13	446136	7	Lockwasher, 5/16
14	443106	7	Nut, 5/16-18 Hex
15	646155	1	Plate, Deflector End (L.H.)
16	646155	1	Plate, Deflector End (R.H.)
17	440092	8	Bolt, 5/16-18 x 1/2 Short Carriage
18	446136	8	Lockwasher, 5/16
19	443106	8	Nut, 5/16-18 Hex
20	546156	4	Key
21	500936	1	Inner Tine Blade Assembly (R.H.)
22	546159	8	Tine Blade (L.H.)
23	646160	8	Tine Blade (R.H.)
24	546161	16	Spacer, 1/4 x 1 x 4-1/4
25	400378	16	Screw, 7/16-20 x 2 Hex Hd Cap
26	444730	16	Nut, 7/16-20 Hex Lock
27	500935	2	Hub Attachment Assembly
28	500937	1	Inner Tine Blade Assembly (L.H.)
29	500938	1	Outer Tine Blade Assembly (R.H.)
30	500939	2	Tine Blade Assembly
31	600941	1	Outer Tine Blade Assembly (L.H.)
32	890157	2	Pin, Tine Stuff
33	690158	2	Pin, Inner
34	460026	4	Cotter Pin, 1/8 x 3/4
35	400258	1	Screw, 3/8-16 x 5/8 Hex Hd Cap
36		1	Tiller Gear Box Assembly (See separate parts breakdown)
	335598	1	Decal, Product - 36" Tiller (Not illustrated)

ALWAYS GIVE SERIAL NUMBER WHEN ORDERING PARTS

ILLUSTRATION 2. - HOUSING GROUP

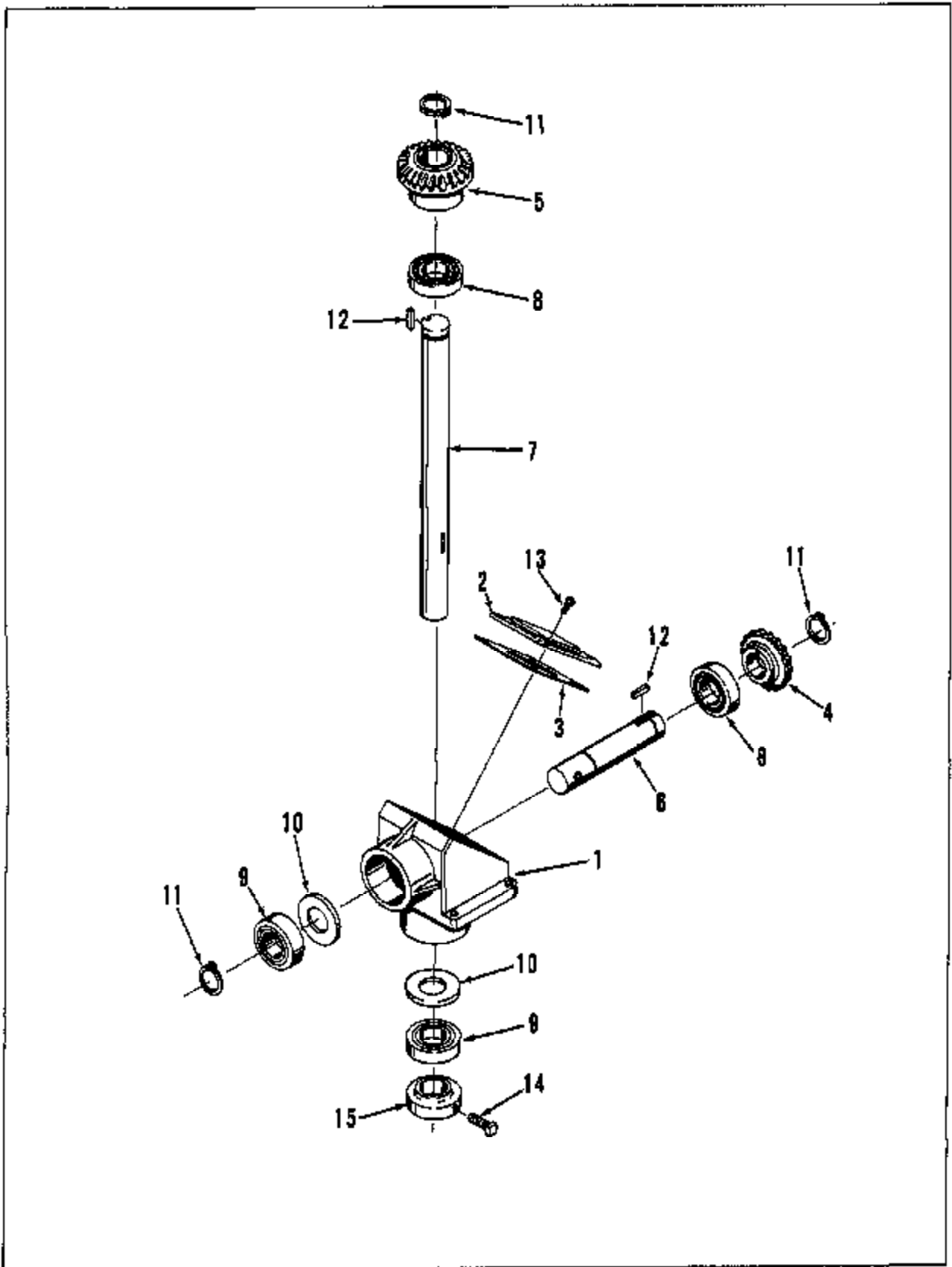


PARTS LIST - ILLUSTRATION 2.

Ref. No.	Part No.	Quan.	Description	Ref. No.	Part No.	Quan.	Description
1	500942	1	Case Assembly, Half (R.H.)	32	590182	1	Grease Fitting
2	500943	1	Case Assembly, Half (L.H.)	33	546179	1	Grease Cap
3	546186	1	Gasket	34	546176	1	Chain
4	400182	14	Screw, 5/16-18 x 5/8 Hex Hd Cap	35	500947	1	Tine Shaft Assembly
5	444719	14	Nut, 5/16-18 Hex Lock	36	546175	2	Bearing
6	121613	1	Right Angle Gear Box Assembly See Page 6	37	546174	2	Seal
7	546183	2	Bearing	38	546173	2	Reinforcing Plate
8	546184	2	Seal	39	590184	6	Screw, 3/8-16 x 1-1/2 Thread Forming
9	500944	2	Upper Bearing Plate Assembly	40	444850	6	Nut, 3/8-16 Hex Jam Lock
10	446130	4	Lockwasher, 5/16	41	546171	2	Bar, Side
11	443100	4	Nut, 5/16-18 Hex	42	546172	2	Spacer, 1 x 7/32 x 3-1/32
12	546188	2	Chain	43	400423	1	Screw, 1/2-18 x 4 Hex Hd Cap
13	546182	1	Inter. Spacer	44	453017	2	Washer, 1/2 Plain
14	500945	1	Sprocket Assembly	45	446184	1	Lockwasher, 1/2
15	546181	2	Roller Bearing	46	448118	1	Nut, 1/2-13 Hex
16	546180	2	Washer	47	159422	1	Input Sprocket Assembly
17	590161	2	Ring, Retaining	48	463017	1	Key, 3/16 x 3/4 Woodruff SAE #0
18	400440	1	Screw, 1/2-20 x 1-1/4 Hex Hd Cap (L.H. Side)	49	412014	2	Screw, 5/16-18 x 1/2 Sq Hd Cup Pt Set
19	446154	1	Lockwasher, 1/2	50	159428	1	Torque Tube Assembly
20	546178	1	Bolt (R.H. Side)	51	352871	1	Spacer
21	446154	2	Lockwasher, 1/2	52	400284	1	Screw, 3/8-16 x 1-1/4 Hex Hd Cap
22	590182	1	Grease Fitting	53	432011	1	Washer, 3/8 Plain SAE
23	546179	1	Grease Cap	54	446142	1	Lockwasher, 3/8
24	546177	1	Inter. Spacer	55	448110	1	Nut, 3/8-18 Hex
25	500946	1	Sprocket Assembly	56	352870	1	Spacer, Torque Tube
26	546181	2	Roller Bearing	57	453013	1	Washer, 7/16 Flat
27	546180	2	Washer	58	401195	1	Screw, 7/16-14 x 3-3/4 Hex Hd Cap
28	590161	2	Ring, Retaining	59	590163	1	Nut, 7/16-14 Hex Lock
29	400440	1	Screw, 1/2-20 x 1-1/4 Hex Hd Cap (L.H. Side)				
30	446154	1	Lockwasher, 1/2				
31	546178	1	Bolt (R.H. Side)				

ALWAYS GIVE SERIAL NUMBER WHEN ORDERING PARTS

ILLUSTRATION 3 - GEAR BOX ASSEMBLY

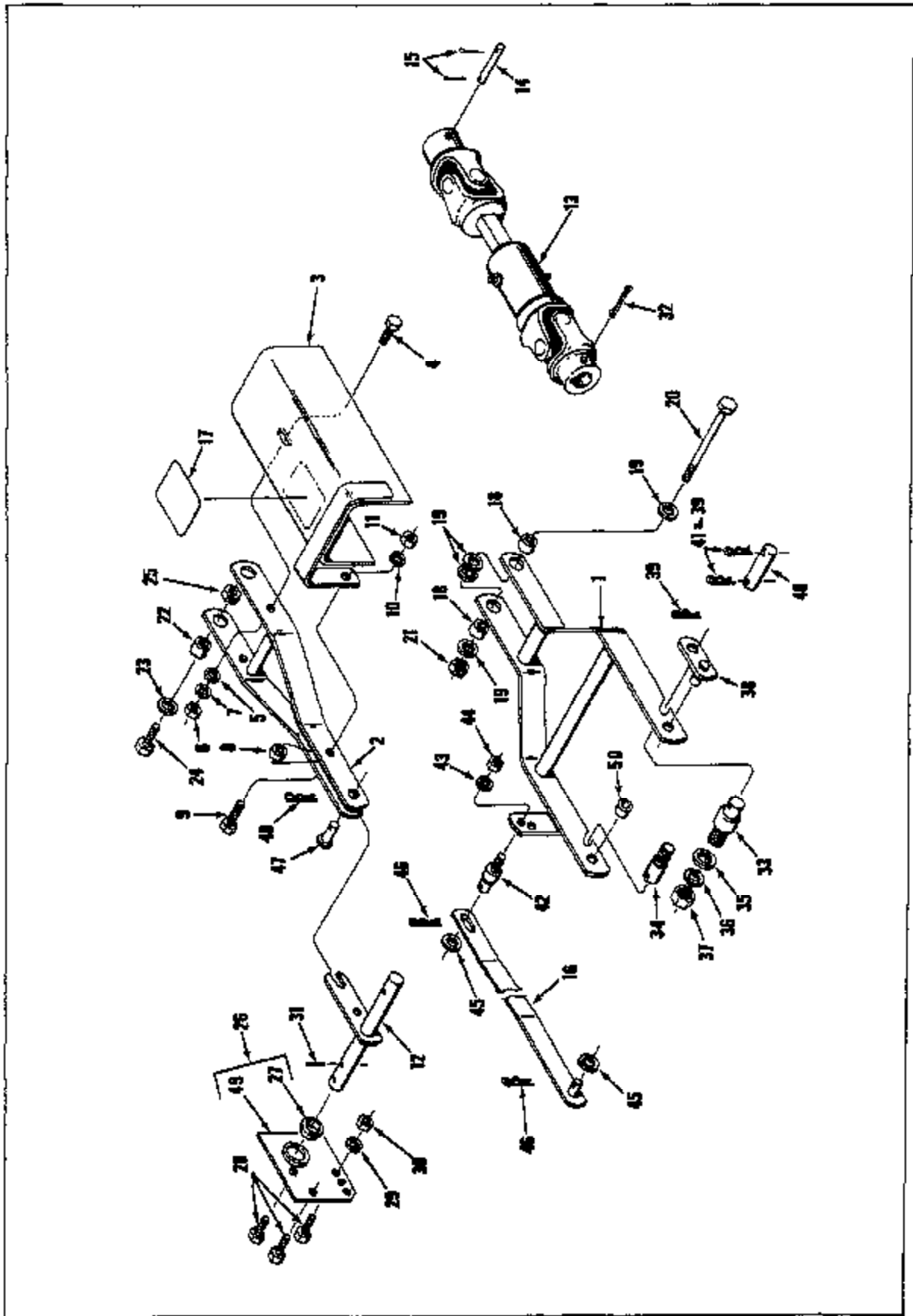


PARTS LIST - ILLUSTRATION 3.

Ref. No.	Part No.	Quan.	Description
1	535035	1	Housing
2	545152	1	Lid
3	545153	1	Gasket, Lid
4	545154	1	Gear
5	545155	1	Gear
6	545170	1	Shaft, Input
7	352836	1	Shaft, Output
8	545158	2	Bearing
9	545157	2	Bearing
10	545158	2	Oil Seal
11	590159	3	Ring, Retaining
12	545159	2	Key
13	590160	4	Bolt
14	412004	1	Screw, 1/4-20 x 3/8 Sq Hd Cup Pt Hex
15	352835	1	Spacer, Gear Box Seal Retainer

ALWAYS GIVE SERIAL NUMBER WHEN ORDERING PARTS

ILLUSTRATION 4. - TILLER LIFT ASSEMBLY



PARTS LIST - ILLUSTRATION 4.

Ref. No.	Part No.	Quan.	Description
1	128824	1	Tiller Lift Assembly
2	128835	1	Upper Link Assembly
3	128923	1	Shield Assembly, Tiller Drive Line
4	400262	1	Screw, 3/8-16 x 1 Hex Hd Cap
5	458011	1	Washer, 3/8 SAE Flat
6	446142	1	Lockwasher, 3/8 Hvy
7	443110	1	Nut, 3/8-16 Hex
8	352879	1	Spacer, Upper Link
9	400410	1	Screw, 1/2-13 x 1-3/4 Hex Hd Cap
10	446154	1	Lockwasher, 1/2 Hvy
11	443218	1	Nut, 1/2-18 Hex
12	501249	1	Upper Pivot Bar Assembly
13	128832	1	Joint & Shaft Assembly, Tiller Drive
14	353061	1	Pin, U-Joint to Gear Box
15	450910	2	Pin, 3/32 x 1/2 Cotter
16	128887	1	Lift Link Assembly
17	335431	1	Decal, Safety
18	546187	2	Spacer, Tiller Lift Assembly to Gear Box
19	453017	4	Washer, 1/2 Flat, Tiller Lift Assembly to Gear Box
20	490426	1	Screw, 1/2-13 x 5 Hex Hd Cap, Tiller Lift Assembly to Gear Box
21	444758	1	Nut, 1/2-13 Hex Gripco C/Lock, Tiller Lift Assembly to Gear Box
22	546188	1	Spacer, Upper Link Mtg (R.H.)
23	453013	1	Washer, 7/16 Flat, Upper Link Mounting (R.H.)
24	490336	1	Screw, 7/16-14 x 1-1/4 Hex Hd Cap, Upper Link Mtg (R.H.)
25	580163	1	Nut, 7/16-14 Hex Lock, Upper Link Mounting (R.H.)
26	260192	1	Shaft Mtg Bracket Assembly (R.H.) (incl Ref 27, 49)

Ref. No.	Part No.	Quan.	Description
27	854461	1	Bushing
28	400262	3	Screw, 3/8-16 x 1 Hex Hd Cap, Bracket Mounting
29	446142	3	Lockwasher, 3/8 Hvy, Bracket Mounting
30	443110	3	Nut, 3/8-16 Hex, Bracket Mtg
31	481409	2	Pin, 3/16 x 1-3/4 Roll, Upper Pivot Shaft Mounting
32	478152	1	Pin, 3/16 x 1-1/2 Clinob, U-Joint to P.T.O.
33	352503 *	1	Support, Rear Hitch Mtg (L.H.)
34	352504 *	1	Support, Rear Hitch Mtg (R.H.)
35	452010 *	2	Washer, 1/2 Flat, Hitch Pin to Frame
36	446154 *	2	Lockwasher, 1/2 Hvy, Hitch Pin to Frame
37	443116 *	2	Nut, 1/2-13 Hex, Hitch Pin to Frame
38	189425 *	2	Tie Bar
39	450816	2	Pin, Rein Leitzke #LHCOT-3 Tie Bar Mounting
40	352799 #	2	Pin, Tiller Mounting
41	480316 #	2	Pin, Rein Leitzke #LHCOT-3, Tiller Pin Retaining
42	352878	1	Pivot, Lift Link
43	446154	1	Lockwasher, 1/2 Hvy, Pivot Lift Link to Bracket
44	443818	1	Nut, 1/2-13 Hex Jam, Pivot Lift Link to Bracket
45	453020	2	Washer, 5/8 SAE Flat, Lift Link Mounting
46	460312	2	Pin, Rein Leitzke #LHCOT-2, Lift Link Mounting
47	352880	1	Pin, Clevis
48	460316	1	Pin, Rein Leitzke #LHCOT-3, Upper Link Mounting
49	160189	1	Bracket, Shaft Mtg (R.H.)
50	311039 #	1	Spacer (R.H.)

* - Gear Shift Model Only

- Hydro Model Only

ALWAYS GIVE SERIAL NUMBER WHEN ORDERING PARTS

NOTES

NOTES

A Careful Operator

**IS THE BEST INSURANCE
AGAINST AN ACCIDENT.**

— NATIONAL SAFETY COUNCIL

See your Owner's Manual for 'Warranty' and 'How To Order Repair Parts'



JACOBSEN MANUFACTURING COMPANY
A Member Company of Allegheny Ludlum Industries
RACINE, WISCONSIN 53403

Litho In U.S.A. 1274