

HOMELITE®

PART NO. 18229

Printed in U.S.A.

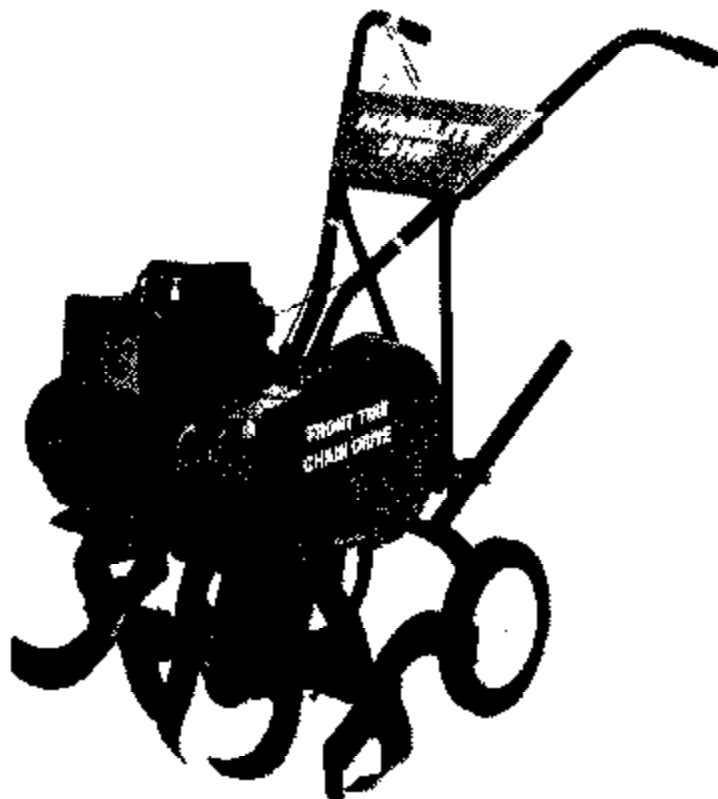
Price .35

PARTS LIST

FT-5

UT22083

TILLER



HOMELITE **TEXTRON**

Homelite Division of Textron Inc.

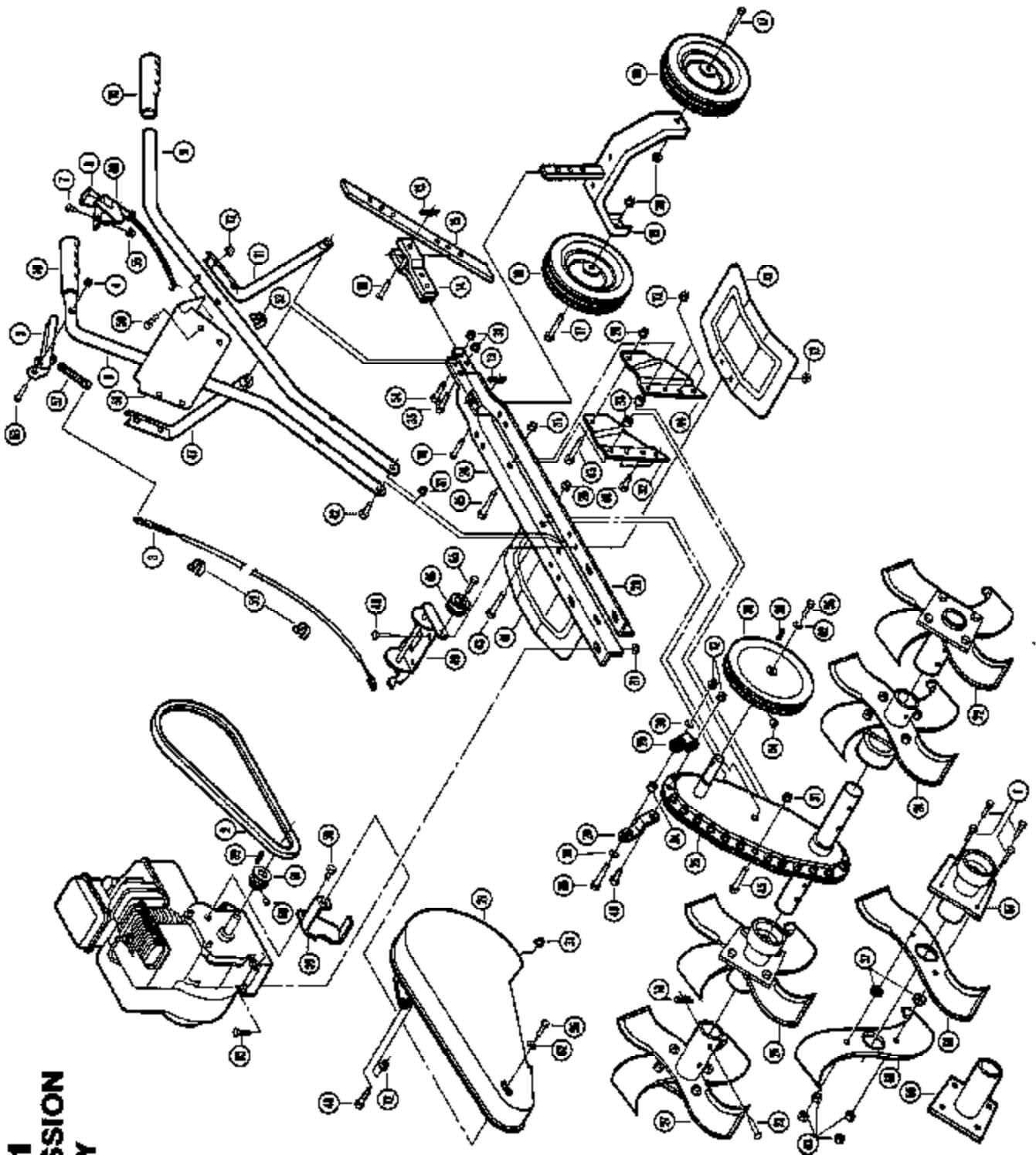
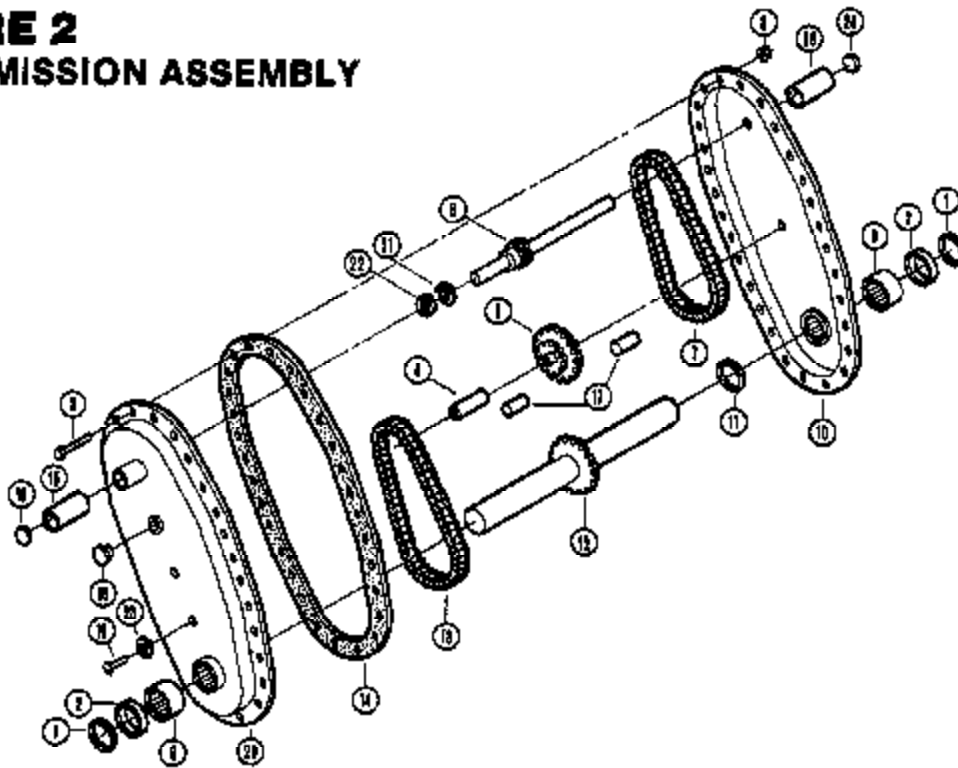


FIGURE 1
TRANSMISSION
ASSEMBLY

| NO. | PART NO. | QTY. | DESCRIPTION |
|-----|------------|------|------------------------------------------|
| 35 | JA-40019-2 | 5 | FL HD C S- 5/16-18 x 1 1/2" |
| 36 | 01212-67 | 1 | HH C S- 1/4-20 x 3 1/4" |
| 37 | 01212-27 | 8 | SPACER- 19/32 I.D. x 3/4" O.D. x 3/16 L |
| 38 | 01212-26 | 1 | PULLEY- 10" |
| 39 | 01212-68 | 2 | KEY- 3/16 x 3/16 x 7/8" |
| 40 | 01212-69 | 1 | THROTTLE CONTROL |
| 41 | 01212-30 | 2 | TINE SHIELD |
| 42 | JA-40018-4 | 2 | FL HD C S- 5/16-18 x 3/4" |
| 43 | 80622 | 1 | HH C S- 3/8-16 x 2 1/2" |
| 44 | 01212-31 | 1 | SUPPORT- Transmission L.H. |
| 45 | 80069 | 2 | HH C S- 5/16-18 x 2 3/4" |
| 46 | 01212-32 | 1 | PULLEY- Belt Idler |
| 47 | 01212-33 | 1 | BRACE- R.H. Handle |
| 48 | JA-40010-8 | 9 | FL HD C S- 1/4-20 x 3/4" |
| 49 | 01212-34 | 1 | IDLER CLUTCH ARM ASSY. |
| 50 | JA-40011-6 | 4 | FL HD C S- 1/4-20 x 1 1/2" |
| 51 | 01212-35 | 1 | HANDLE PLATE- (Large) |
| 52 | 01212-36 | 3 | CABLE CLIP- 1" |
| 53 | 01212-38 | 1 | MACHINE SCREW- Truss Head 10-24 x 1 1/2" |
| 54 | 80197 | 1 | HH C S- 5/16-18 x 2" |
| 55 | 01212-70 | 2 | LOCKNUT- Flange 10-32 |
| 56 | 01212-71 | 2 | FL HD C S- 1/4-20 x 1/2 w/3/8" |
| 57 | 01212-37 | 1 | SPRING- Clutch |
| 58 | JA-40010-8 | 1 | HH C S- 1/2-20 x 3/4" |
| 59 | 01212-38 | 1 | RETAINER- Belt |
| 60 | JA-41551-7 | 1 | SCREW- Set 5/16-18 x 1/4" |
| 61 | 01212-38 | 1 | PULLEY- Bore 2 x 3/4" |
| 62 | 01212-72 | 2 | WASHER- Flat 1/4", 1" O.D. |
| 63 | JA-44476-2 | 16 | LOCKNUT- Carter 3/8-18 |
| 64 | 01212-73 | 1 | SCREW- Set 5/16-24 x 1/4" |
| 65 | 80086 | 1 | FL HD C S- 3/8-16 x 1" |
| 66 | 01212-40 | 2 | TINE HUB ASSY.- Outside |
| 67 | 01212-41 | 2 | TINE HUB ASSY.- Inside |
| 68 | 01212-42 | 4 | TINE BLADE- L.H. |
| 69 | 01212-43 | 4 | TINE BLADE- R.H. |

| NO. | PART NO. | QTY. | DESCRIPTION |
|-----|------------|------|----------------------------------------|
| 1 | JA-40028-2 | 16 | (GR. 5) 3/8-16 x 1" |
| 2 | 01212-01 | 1 | V-BELT |
| 3 | 01212-02 | 1 | CABLE- Clutch (shock) |
| 4 | 01212-03 | 1 | ACORN NUT- 10-24 (PLTD) |
| 5 | 01212-04 | 1 | LEVER- Clutch Control |
| 6 | 01212-05 | 1 | HANDLE- R.H. |
| 7 | 01212-05 | 2 | SCREW- Truss Head Mach. 10-32 x 3/8" |
| 8 | 01212-06 | 1 | KNOT- Throttle Control |
| 9 | 01212-07 | 1 | HANDLE- L.H. |
| 10 | 01212-08 | 2 | HANDLE- Grip 1" |
| 11 | 01212-09 | 1 | HANDLE- Braca L.H. |
| 12 | JA-44578-6 | 14 | LOCKNUT- Flange 1/4-20 |
| 13 | 01212-10 | 6 | COTTER PINS- #3 |
| 14 | 01212-11 | 1 | DEPTH BAR HOLDER |
| 15 | 01212-12 | 1 | DEPTH BAR |
| 16 | 01212-13 | 2 | PIVOT PIN- 3/8 x 1 5/8" |
| 17 | 01212-64 | 2 | SHOULDER BOLT- Hz. Hd. 3/8-16 x 2 3/4" |
| 18 | 01212-14 | 2 | WHEEL- 10 x 1 3/4" |
| 19 | 01212-15 | 1 | WHEEL YOKE ASSY. |
| 20 | 01212-65 | 4 | LOCKNUT- Flange 3/8-16 |
| 21 | 01212-66 | 1 | BELT GUARD- (Large Notch) |
| 22 | 01212-16 | 1 | TINE ASSY.- L.H. Outer |
| 23 | 01212-17 | 4 | PIVOT PIN- 3/8 x 2" |
| 24 | 01212-18 | 1 | TINE ASSY.- L.H. Inner |
| 25 | 01212-19 | 1 | TRANSMISSION |
| 26 | 01212-20 | 1 | TINE ASSY.- R.H. Inner |
| 27 | 01212-21 | 1 | TINE ASSY.- R.H. Outer |
| 28 | 01212-22 | 1 | ENGINE BASE & FRAME ASSY. |
| 29 | 01212-23 | 2 | BRACKET- Handle Adjustment |
| 30 | 84006 | 2 | WASHER- Flat 1/4" |
| 31 | JA-44577-5 | 11 | LOCKNUT- Flange 5/16-18 |
| 32 | 01212-24 | 1 | SUPPORT- Transmission R.H. |
| 33 | 01212-25 | 2 | SPACER- .355 I.D. x 5/8" Long |
| 34 | 01212-26 | 1 | SPACER- 5/8 O.D. x 5/16 I.D. x 17/32 L |

**FIGURE 2
TRANSMISSION ASSEMBLY**



| NO. | PART NO. | QTY. | DESCRIPTION |
|-----|------------|------|---------------------------------|
| 1 | 01212-44 | 2 | WASHER- Felt |
| 2 | 01212-45 | 2 | SEAL- Oil 1 1/4" |
| 3 | 01212-71 | 21 | FL HD CS- 1/4-20 x 1/2 w/3/8" |
| 4 | 01212-46 | 1 | INNER RACE BRG. |
| 5 | 01212-47 | 1 | SPROCKET- Tooth 9-36 |
| 6 | 01212-48 | 1 | PULLEY- Shaft Spkt. Ass'y. (68) |
| 7 | 01212-49 | 1 | CHAIN- 35 x 50 |
| 8 | JA-44676-8 | 21 | LOCKNUT- Flange 1/4-20 |
| 9 | 01212-50 | 2 | NEEDLE BRG. - 1 1/4" |
| 10 | 01212-51 | 1 | COVER- Transmission- L.H. |
| 11 | 01212-52 | 1 | TINE SHAFT SPACER |
| 12 | 01212-53 | 1 | TINE SHAFT SPKT. ASSY. |
| 13 | 01212-54 | 1 | CHAIN- 50 x 40 |

| NO. | PART NO. | QTY. | DESCRIPTION |
|-----|----------|------|---------------------------|
| 14 | 01212-55 | 1 | GASKET |
| 15 | 01212-56 | 1 | OILITE BRG.- 5/8" |
| 16 | 01212-57 | 1 | BRG. CAP- 13/16" |
| 17 | 01212-74 | 2 | BEARINGS- Needle |
| 18 | 01212-58 | 1 | PLUG- Oil fill |
| 19 | 01212-75 | 1 | HH SLT SCR- NO. 10 x 3/8 |
| 20 | 01212-59 | 1 | COVER- Transmission R.H. |
| 21 | 01212-60 | 1 | RING- Retaining 5/8" (68) |
| 22 | 01212-76 | 1 | WASHER- Thrush 5/8" |
| 23 | 01212-77 | 1 | WASHER- No. 10 Sealing |
| 24 | 01212-81 | 1 | SEAL- Oil I.D. 5/8" |
| 25 | 01212-62 | 1 | OILITE BRG.- 5/8" Short |

HEADQUARTERS

HOMELITE DIVISION OF TEXTRON INC.
 P.O. BOX 7047
 14401 GAROWINDS BOULEVARD
 CHARLOTTE, N.C. 28241

0811

HOMELITE TEXTRON

Homelite Division of Textron Inc.