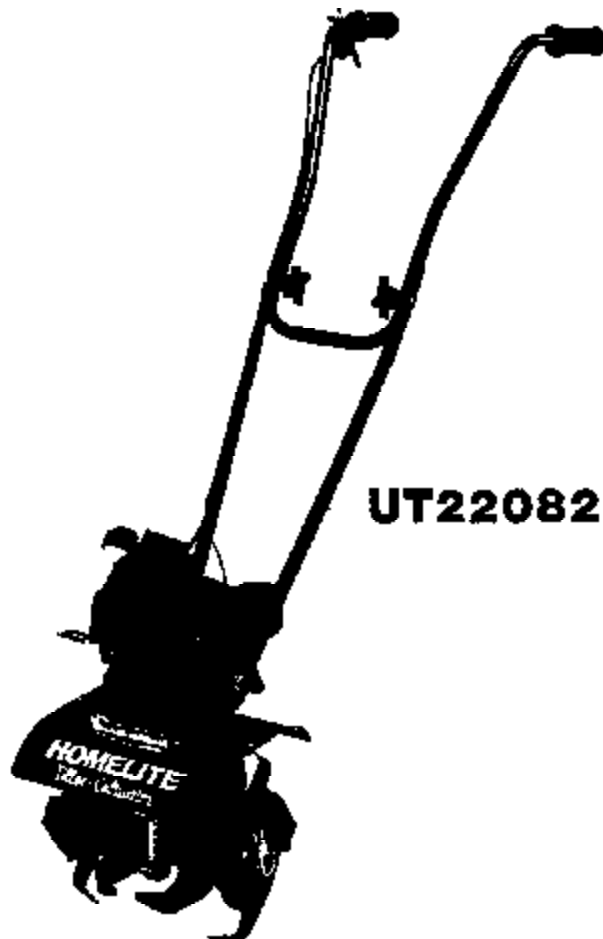


HOMELITE

PART NO. 18125
Printed in U.S.A.
Price .35

PARTS LIST
MTC-12
TILLER/CULTIVATOR



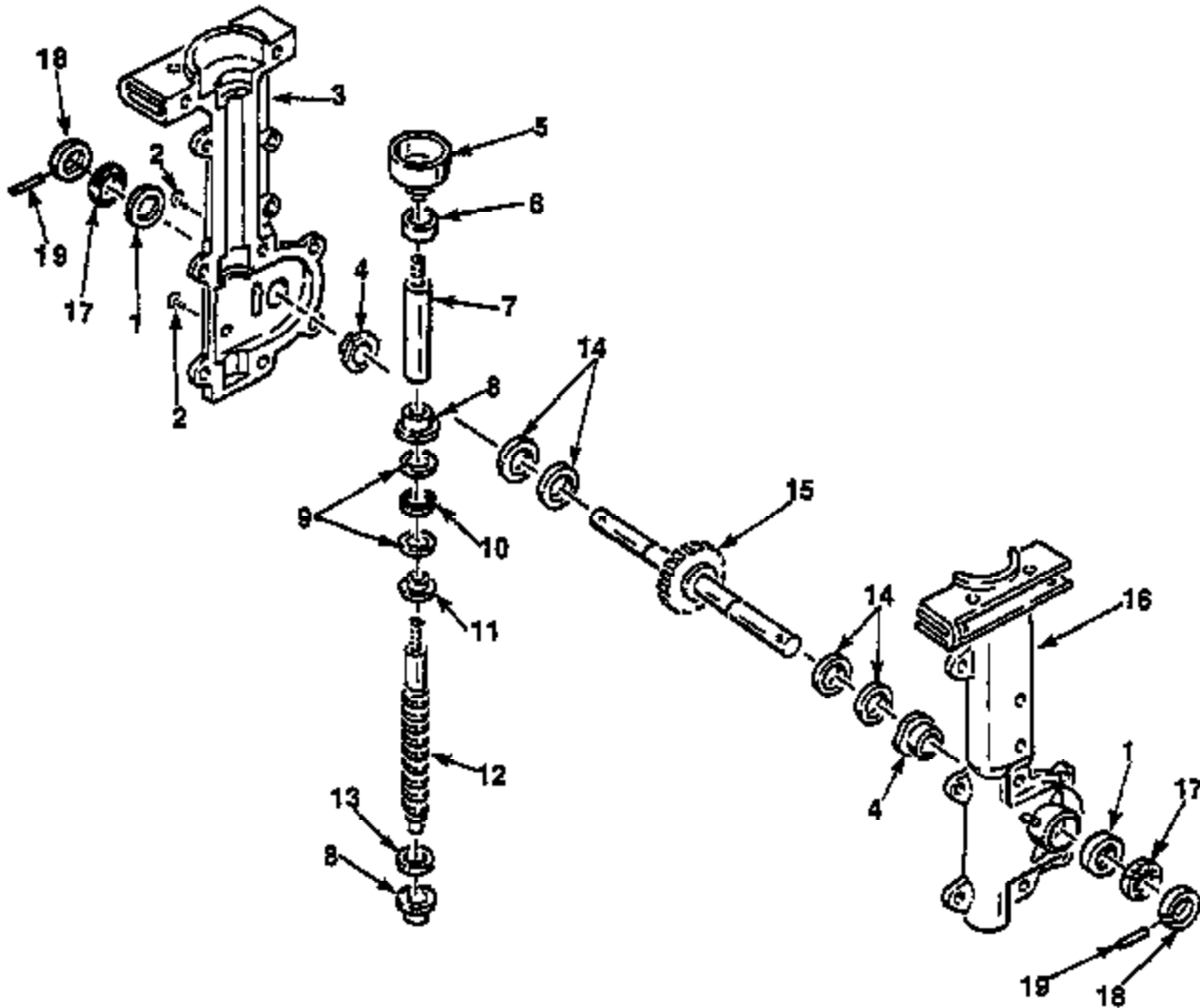
UT22082

HOMELITE **TEXTRON**
Homelite Division of Textron Inc

FIGURE 1

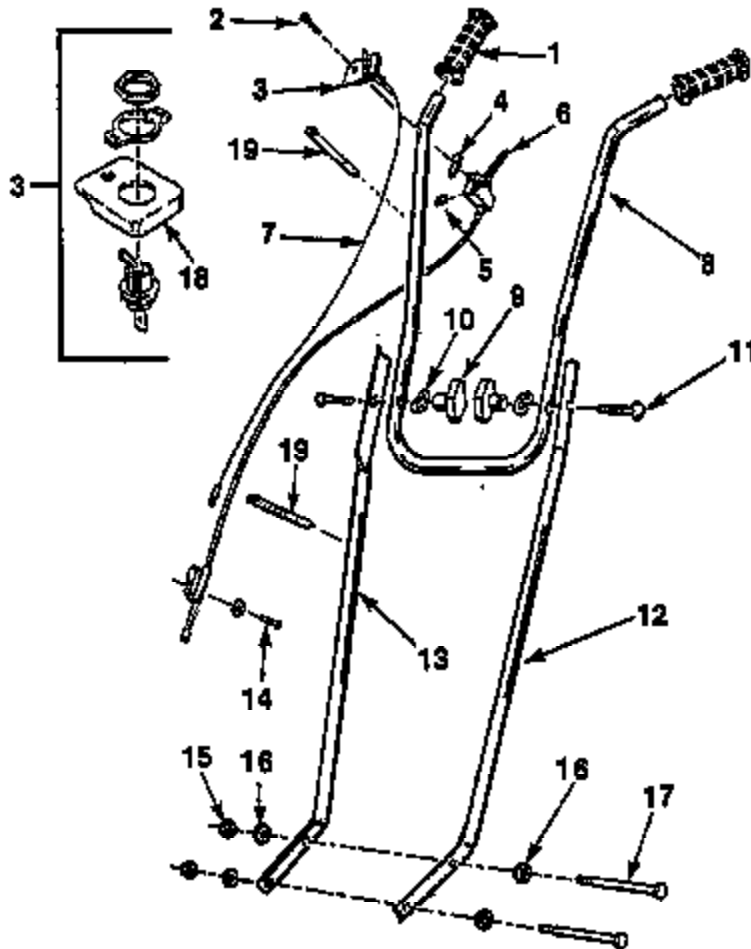
TRANSMISSION ASSEMBLY COMPLETE

ORDER NO. 01075-71



NO.	DESCRIPTION	PART NO.	QTY.
1	SEAL- Lip 3/4"	01075-86	2
2	SCREW- Slotted hex hd. 1/4-20 x 1/2"	01075-80	2
3	HOUSING- Reduction, R.H.	01075-85	1
4	BUSHING- Bronze, 3/4" I.D.	01075-79	2
6	DRUM & HUB- Clutch	01075-29	1
6	BEARING- Roller	01075-32	1
7	SHAFT- Connecting	01075-25	1
8	BUSHING- Bronze, 7/16"	01075-31	2
9	WASHER- Thrust Hardened	01075-34	2
10	BEARING- Needle, Thrust	01075-35	1

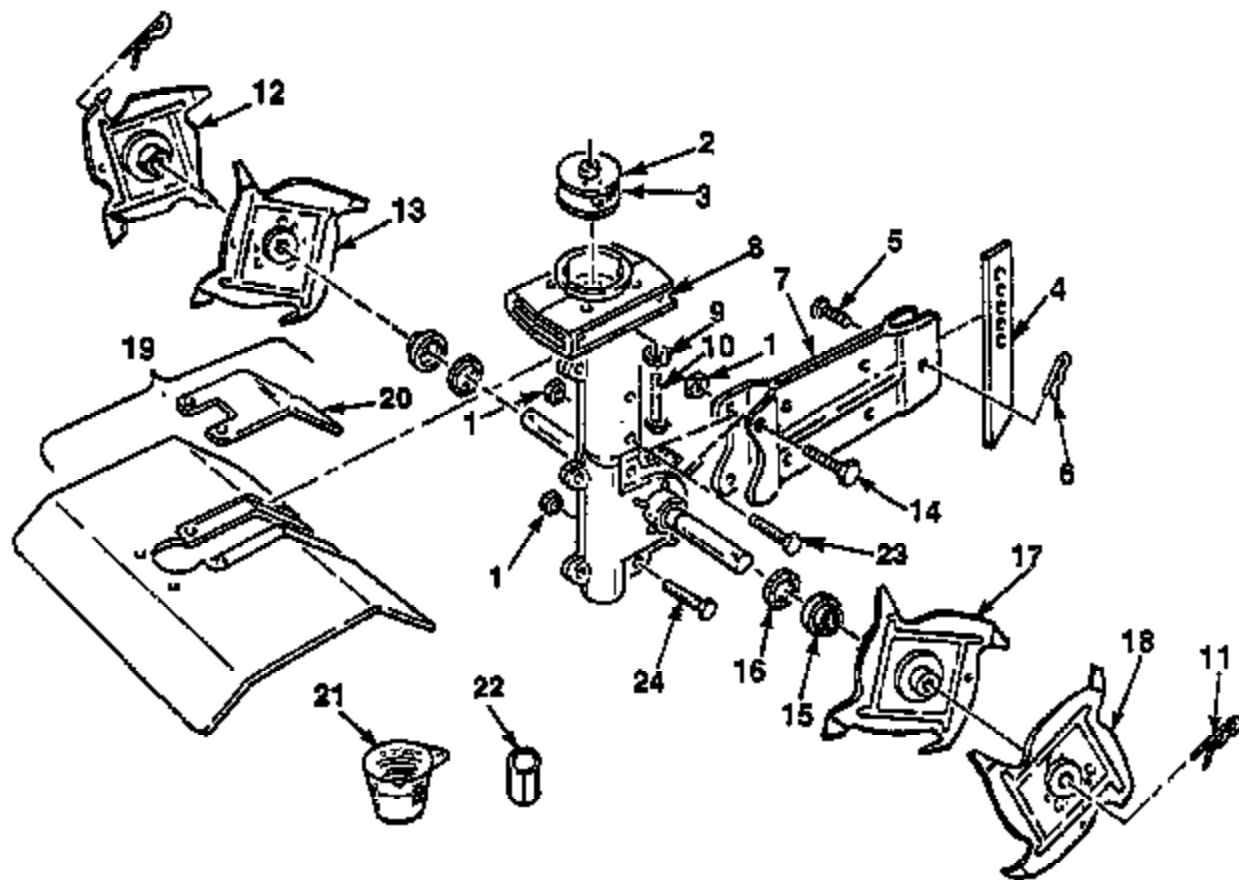
NO.	DESCRIPTION	PART NO.	QTY.
11	WASHER- Adaptor	01075-80	1
12	SHAFT- Worm (16P)	01075-28	1
13	WASHER, Thrust 3/4 x 7/16"	01075-36	1
14	WASHER- Thrust 16 x 3/4 x 1 1/2"	01075-78	4
15	SHAFT- Tine, w/Worm Wheel	01075-24	1
16	HOUSING- Reduction, L.H.	01075-84	1
17	WASHER- Felt Seal 1/8 x 3/4 x 1 1/4"	01075-83	2
18	DIRT CAP- Silver Metal	01075-81	2
19	SCREW- Set, #10-32 x 1/4" Metal Dirt Cap	01075-52	2

FIGURE 2**HANDLE BARS/GRIP/ON-OFF SWITCH
THROTTLE CONTROL/THROTTLE CABLE**

NO.	DESCRIPTION	PART NO.	QTY.
1	GRIP- Handlebar	01075-88	2
2	SCREW- Set, #10-24 x 1 3/8"	01075-99	1
3	SWITCH ASSY.- w/Mounting Plate	01075-18	1
4	ISOLATOR	01075-80	1
5	NUT- Throttle/Switch Assy.	01075-81	1
6	THROTTLE CABLE ASSY. w/Throttle Trigger	01075-40	1
7	WIRE ASSY.- Ground	01075-55	1
8	HANDLEBAR- Upper	01075-19	1
9	KNOB- Plastic Handlebar 5/16"	01075-64	2
10	WASHER- Curved Knob 5/16"	01075-82	2

NO.	DESCRIPTION	PART NO.	QTY.
11	SCREW- Curved Head 5/16-18 x 1 1/2"	01075-68	2
12	HANDLEBAR- Lower L.H.	01075-48	1
13	HANDLEBAR- Lower R.H.	01075-44	1
14	SCREW- #8-32 x 1.0 hex hd.	88044	1
15	NUT- Flex-Loc 1/4-20	81204	2
16	WASHER- Curved 5/16"	01075-82	4
17	SCREW- 1/4-20 x 4 1/2"	JA-40019-4	2
18	MOUNTING PLATE	01075-14	1
19	TIE STRAP	01075-88	2

FIGURE 3
ENGINE/TRANSMISSION/TINES/SHIELD



NO.	DESCRIPTION	PART NO.	QTY.
1	NUT- 1/4-20	81204	9
2	CLUTCH	01075-39	1
3	SPRING- Clutch	01075-53	2
4	DRAG STAKE	01075-20	1
5	PIN- Clevis, 5/16 x 7/8"	JA-48145-1	1
6	HAIRPIN	01075-68	1
7	BRACKET ASSY.- Drag Stake	01075-70	1
8	TRANSMISSION ASSY. (incl. 7, 16, and 15)	01075-71	1
9	WASHER- Lock 1/4"	83009	4
10	SCREW- 1/4-20 x 2", hex hd.	80285	4
11	HAIRPIN- Cotter 3/4"	01075-90	2
12	TINE AND HUB- R.H. Outboard (D)	01075-05	1
13	TINE AND HUB- R.H. Inboard (C)	01075-06	1

NO.	DESCRIPTION	PART NO.	QTY.
14	SCREW- 1/4-20 x 1"	JA-40011-2	2
15	DIRT CAP- Black Plastic	01075-51	2
16	WASHER- Felt 1/8 x 3/4 x 1 1/2"	01075-83	2
17	TINE AND HUB- L.H. Inboard (B)	01075-13	1
18	TINE AND HUB- L.H. Outboard (A)	01075-12	1
19	FRONT SHIELD	01075-95	1
20	REAR SHIELD	01075-96	1
21	FUEL MIX CUP (Generic)	01075-02	1
22	TINE SPACERS	01075-48	2
23	SCREW- Hex hd. 1/4-20 x 1 1/4"	80388	2
24	SCREW- hex hd. 1/4-20 x 3/4"	JA-40010-B	5

HEADQUARTERS

HOMELITE DIVISION OF TEXTRON INC.
P.O. BOX 7047
14401 CAROWINDS BOULEVARD
CHARLOTTE, N.C. 28241

88811

HOMELITE TEXTRON
Homelite Division of Textron Inc.