

HOMELITE®

PARTS LIST

(NOTE: THIS PARTS LIST COVERS ONLY UT NUMBERS SHOWN.)

SX-135

(UT20601-A, UT20602-A)

ST-155

(UT20539-E, UT20544-E)

ST-175G

(UT20560-C, UT20604-A)

ST-185BC

(UT15039-E, UT15102)

ST-275

(UT20594-1)

ST-285BC

(UT20581-E, UT20615)

ST-385BC

(UT15040-H)

HLT-15

(UT20602-A, UT20605-A)

HLT-16

(UT20585-C, UT20606-A)

HLT-18

(UT20584-B, UT20607-A)

HLT-28

(UT20595-C, UT20608-A)

HBC-18

(UT15075-C)

HBC-28

(UT15096, UT15097)

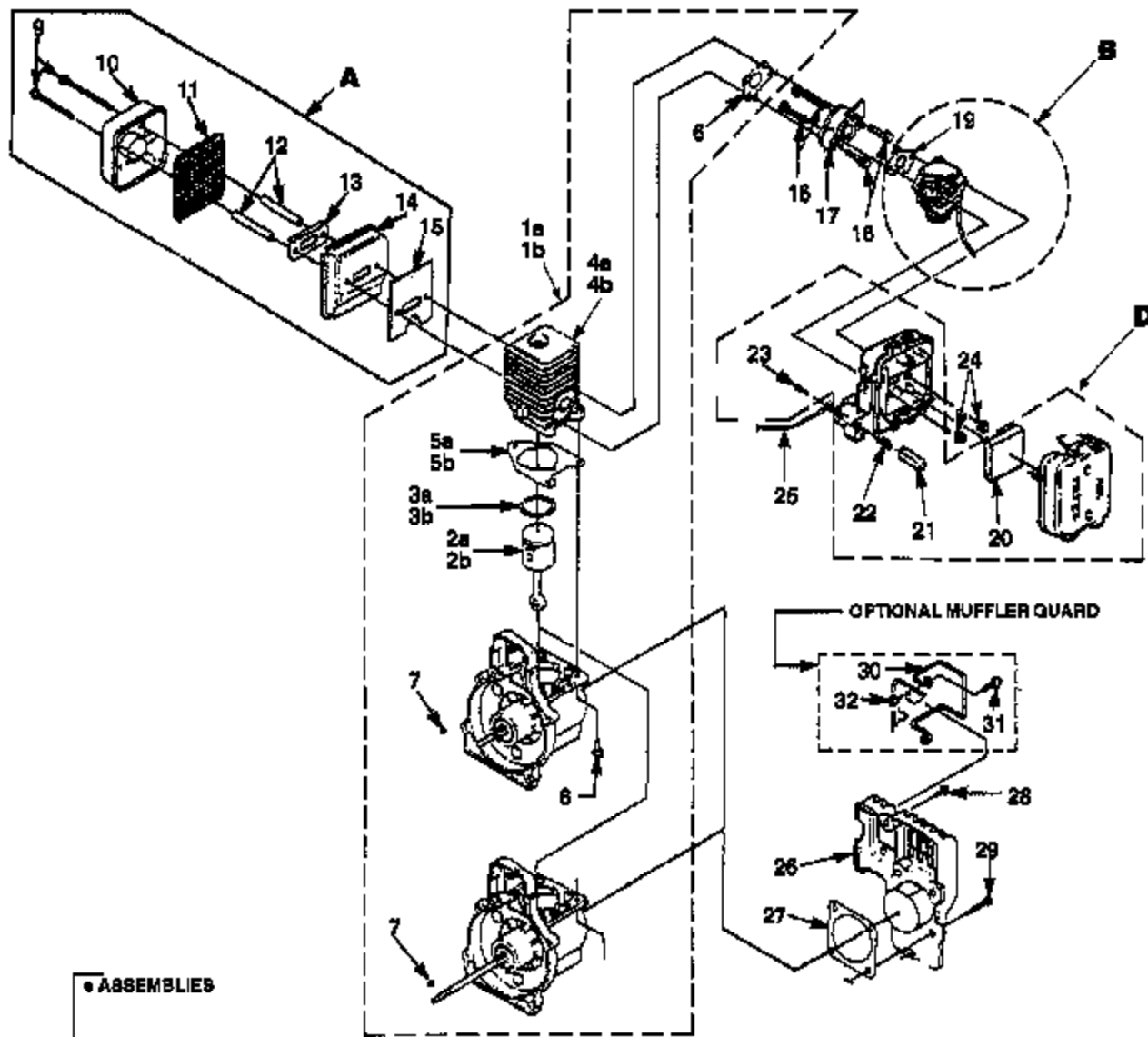
GST-18

(UT20593-C)

GST-BC

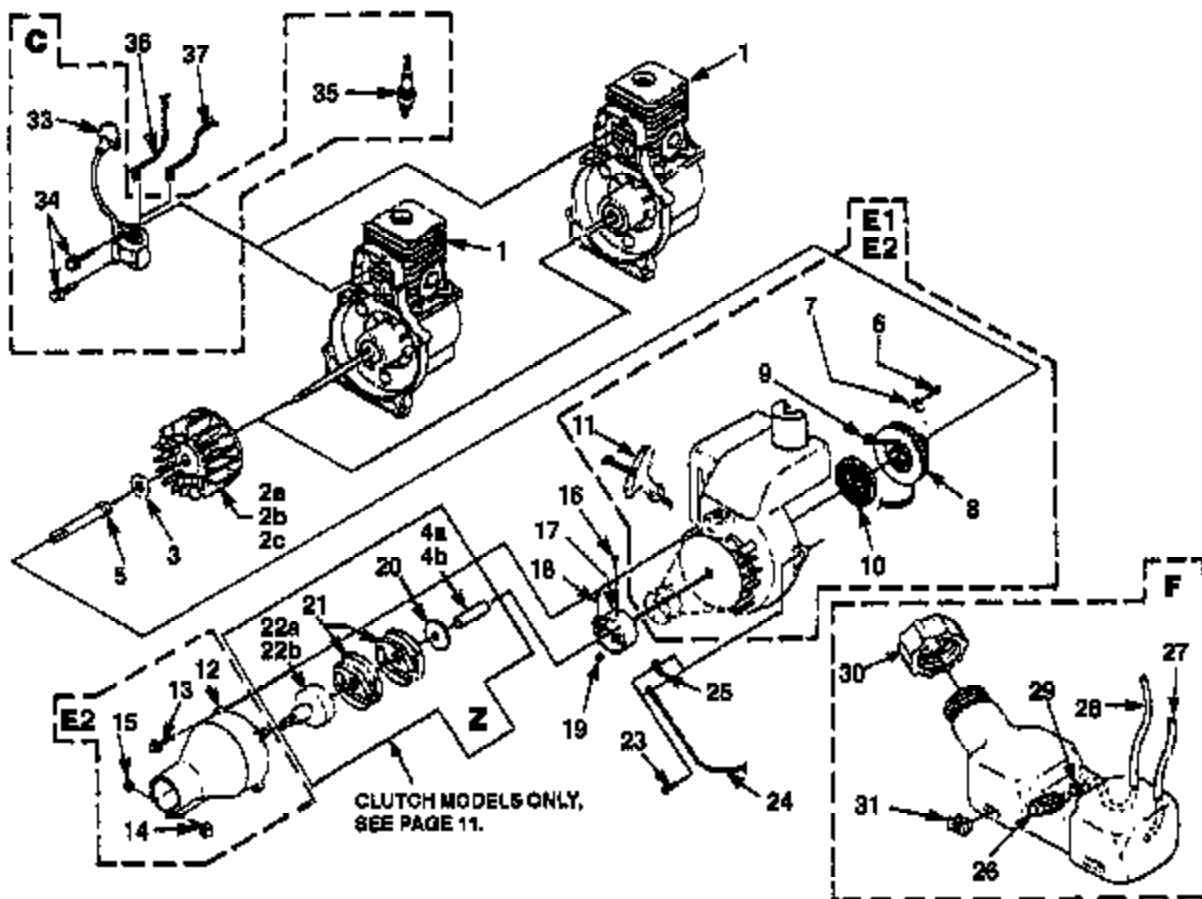
(UT15084-C)

PART NO. 19219
Printed in U.S.A.



● ASSEMBLIES

No.	Part No.	Description	Qty	No.	Part No.	Description	Qty
1a	● A-04742	REPOWER SHORT BLOCK (30CC Non Clutch Models)	1	13	98783	PLATE-Reinforcing	1
1b	● A-04743	REPOWER SHORT BLOCK (30CC Clutch Models)	1	14	04710	BODY-Muffler (Also included with #4)	1
		NOTE: Both Short Blocks Include The Following:		15	98788-D	GASKET-Muffler (Also included with #4)	1
2a	● A-03699	30CC PISTON & ROD	1	16	04474	SCREW-Machine (10-24 X 2 1/4")	2
3a	03179	RING-Piston	2	17	98766	HEAT DAM	1
4a	● A-04740	30CC CYLINDER KIT	1	18	82549-1	SCREW-Tap/ite (10-24 X 1")	2
5a	04388	GASKET-Cylinder	1	19	● A-04445	CARBURETOR KIT	1
8	00775-A	GASKET-Heat Dam	1	19	98769-A	GASKET-Carburetor	1
7	89250	KEY-Woodruff	1	D	● A-04449	AIR FILTER KIT	1
8	82589-1	SCREW-Thread Forming (10-24 X 3/4")	3	20	D-98760-A	FILTER-AIR	1
4b	● A-04723	25CC CYLINDER KIT	1	21	98789	BUTTON-Switch	1
5b	04388	GASKET-Cylinder	1	22	95020	SPRING-Compression	1
8	00775-A	GASKET-Heat Dam	1	23	82513	SCREW-Plastite (#8)	1
2b	● A-04268	25CC PISTON & ROD	1	24	81208	NUT-Hex (10-24)	2
3b	98935	RING-Piston	1	25	A-98809	LEAD-Electrical	1
A	● A-04837	MUFFLER KIT	1	26	● A-00659	CRANKCASE COVER	1
B	88080	SCREW-Sems Hex (10-24 X 2 1/2")	2	27	98767-A	GASKET-Crankcase Cover	1
10	A-04756	COVER-Muffler	1	28	82541	SCREW-Plastite (#10 X 1/2")	2
11	04790	SCREEN-Spark (Also Included with #4)	1	29	82538	SCREW-Tap/ite (10-24 X 1/2")	4
12	04785	SPACER-Muffler (Also Included with #4)	2	30	● A-00254	WIRE GUARD KIT	1
				31	88049	SCREW-Hex Sems (10-24 X 1/2")	2
				32	81208	NUT (10-24)	2

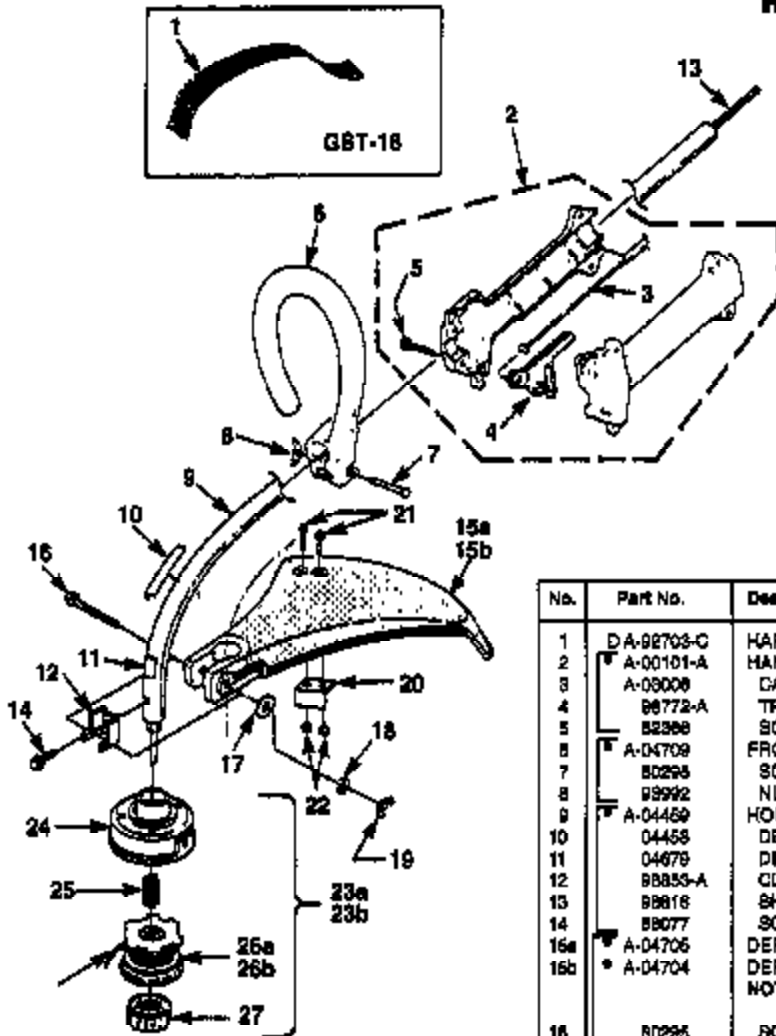


ASSEMBLIES

No.	Part No.	Description	Qty
1	*	SHORT BLOCK (Ref. Pg. 2, Item 1A, 1B)	1
2a	A-00856	ROTOR KIT (ST165-BC, GST-BC)	1
3	95479-A	WASHER-Flat	1
4a	03566-2	SPACER	1
2b	A-00857	ROTOR KIT (ST285-BC, ST385-BC, HBC-18, HBC-30)	1
3	95479-A	WASHER-Flat	1
4b	03566-1	SPACER	1
2c	A-04158	ROTOR w/Starter Pawls (Non Clutch)	1
5	98795-A	CONNECTOR-Drive	1
E1	A-02576-D	COMPLETE STARTER ASSEMBLY (Non Clutch Models)	1
E2	A-04638-B	COMPLETE STARTER ASSEMBLY (Clutch Models) NOTE: Both Assemblies include the Following:	1
6	82541	SCREW-Plastic (#10-1/2")	2
7	98791	BRACKET-Retaining	2
8	98770-A	PULLEY-Starter	1
9	97896-02	ROPE-Starter (42")	1
10	A-98773-A	SPRING & CONTAINER	1
11	02254	GRIP-Starter NOTE: Clutch Models Only include the Following:	1
12	A-02396-A	TUBE ADAPTER	1
13	88052	SCREW-Hex Hd. (10-24 X 7/8")	4
14	88054	SCREW-Bars Hex Hd. (10-24 X 1/4")	1
15	81208	NUT (10-24)	1
18	82522	SCREW-Pan Hd. (#10 X 3/8")	1
17	98802-A	CLAMP	1

No.	Part No.	Description	Qty
18	82268	SCREW-Hex Bars (10-24 X 3/8")	1
19	97574	NUT-Square	1
Z	A-04655	CLUTCH AND DRUM KIT (ST285-BC, ST385-BC, HBC-18, HBC-30) (Also Includes #4b)	1
20	98828-A	WASHER-Flat	1
21	00242	CLUTCH (ST165-BC, GST-BC) CLUTCH (ST285-BC, ST385-BC, HBC-18, HBC-30)	2
22b	A-03485-A	CONNECTOR & DRUM (ST285-BC, ST385-BC, HBC-18, HBC-30)	1
22a	A-02727	CONNECTOR & DRUM (ST165-BC, GST-BC)	1
23	82538	SCREW-Tap (10-24 X 3/4")	4
24	A-98919-A	LEAD-Ground	1
25	02881	TERMINAL-Male	1
F	A-04447	FUEL TANK	1
28	49442	FILTER-Fuel	1
27	01439-82	TUBING-Rubber (8")	1
28	94772-82	TUBING-Rubber (8")	1
29	98268	CLAMP-Wire	1
30	A-00882-A	FUEL CAP	1
31	98782	BUMPER-Rubber	3
G	A-04448	IGNITION KIT	1
32	94711-C6	MODULE-Ignition	1
33	A-89055	TERMINAL & COVER	1
34	82540	SCREW-Tap (8-32 X 1")	2
35	98169-S	SPARK PLUG	1
36	A-00681	LEAD-Electrical (Clutch Models)	1
37	A-98808	LEAD-Electrical (Non Clutch Models)	1

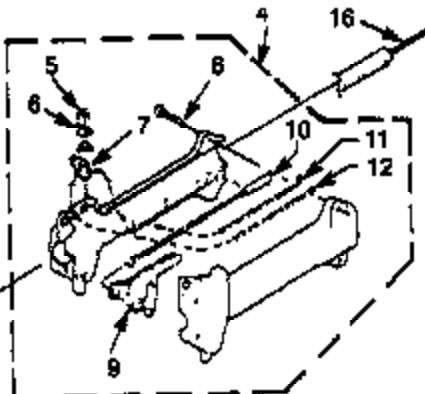
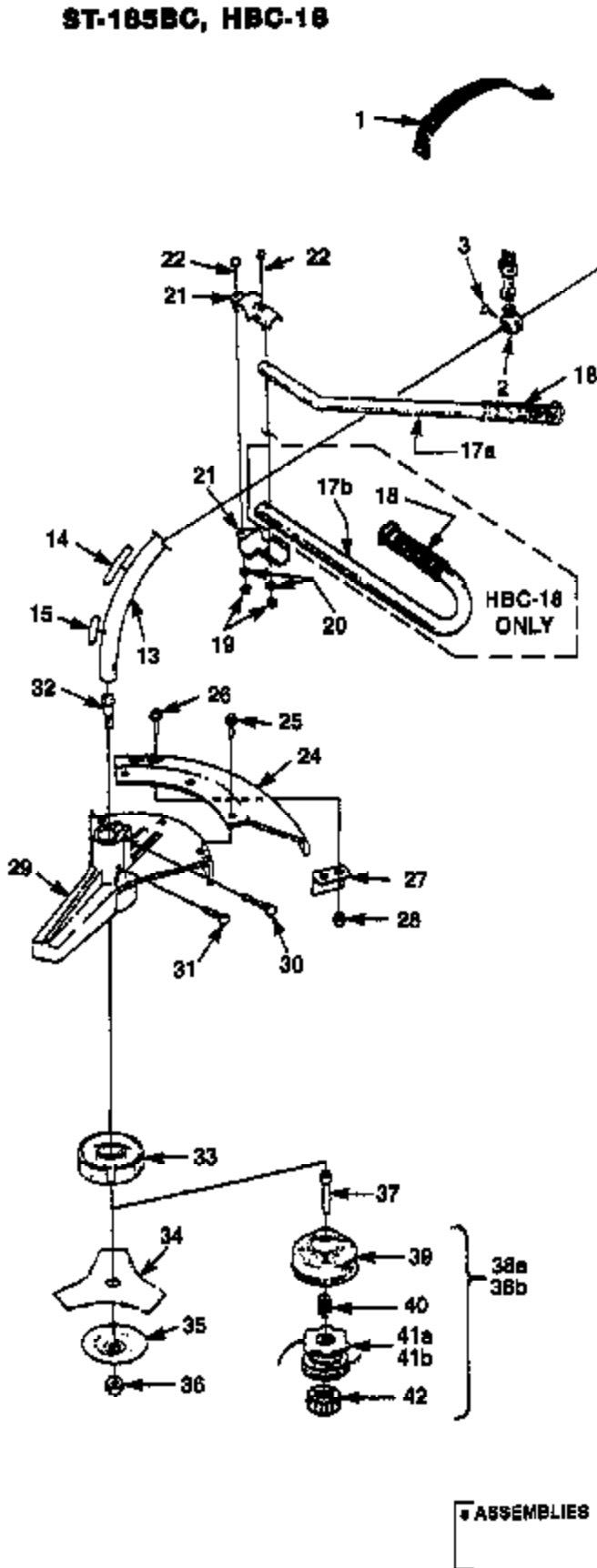
**ST-165, SX-135, ST-175G, GST-18,
HLT-18, HLT-18, HLT-18**



No.	Part No.	Description	Qty
1	DA-92703-C	HARNESS w/Connector (GST-18)	1
2	A-00101-A	HANDLE GRIP ASSEMBLY	1
3	A-09008	CABLE-Throttle	1
4	99772-A	TRIGGER	1
5	82398	SCREW-Thread Forming (#8 X 3/4")	6
6	A-04709	FRONT HANDLE KIT	1
7	80295	SCREW-Cap Hex Hd. (10-24 X 2")	1
8	99992	NUT-Wing (10-24)	1
9	A-04459	HOUSING-Drive Shaft	1
10	04458	DECAL-Starting Instructions	1
11	04679	DECAL-Warning	1
12	98853-A	CLAMP	1
13	99816	SHAFT-Flexible	1
14	99077	SCREW-Sets Hex Hd. (#10 X 1/2")	1
15a	A-04705	DEFLECTOR & BLADE KIT (55 Deg.)	1
15b	A-04704	DEFLECTOR & BLADE KIT (100 Deg.)	1
		NOTE: Both assemblies include the following:	
16	80295	SCREW-Cap Hex Hd. (10-24 X 2")	1
17	84006	WASHER-Flat (1/4")	1
18	83006	WASHER-Lock (1/4")	1
19	99992	NUT-Wing (10-24)	1
20	A-03632	BLADE-Cut-Off	1
21	82531	SCREW-Mech. Hex Hd (10-24 X 7/8")	2
22	81281	NUT-Hex (10-24)	2
23a	DA-03001	STRINGHEAD-Complete (.080" Line) (ST165, SX135, ST175-G, HLT18, GST-18)	1
23b	DA-04581	STRINGHEAD-Complete (.095" Line) (HLT-18, HLT-18)	1
24	A-98231-A	HOUSING & EYELET (Dual Line)	1
25	99848	SPRING-Compression	1
26a	DA-99912-D	SPOOL & STRING (.080" Line) (ST165, SX135, ST175-G, HLT18, GST-18)	1
26b	DA-02598-B	SPOOL & STRING (.095" Line) (HLT-18, HLT-18)	1
27	DA-98866-A	RETAINER-Spool (R H Thread, Black)	1

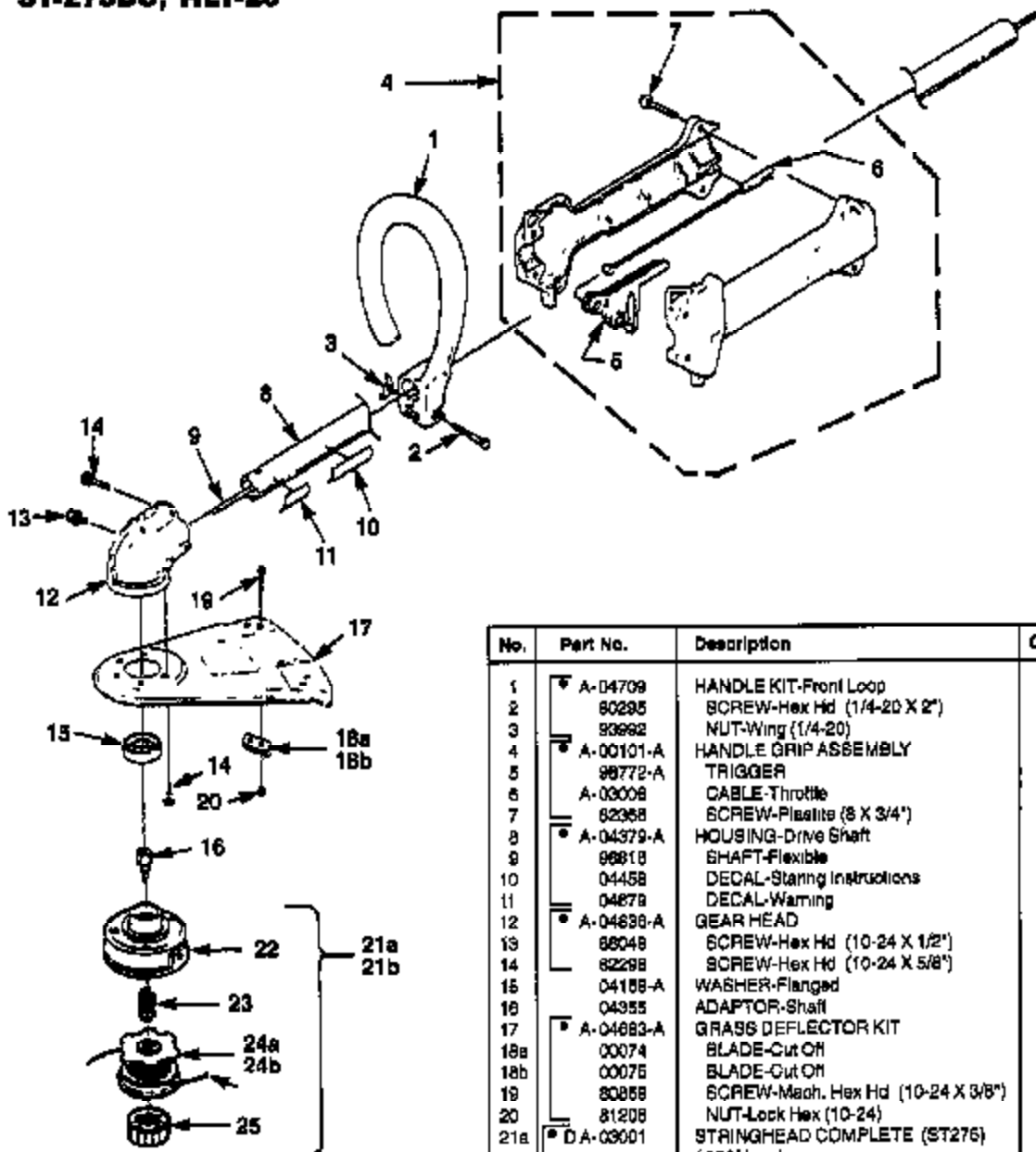
ASSEMBLIES

ST-185BC, HBC-18



No.	Part No.	Description	Qty
1	DA-88708-B	HARNESS w/Connector	1
2	A-84442	BRACKET-Hanger	1
3	82260	SCREW-Thumb (10-24 X 1/2")	1
4	A-03911-1	HANDLE GRIP ASSEMBLY	1
5	72084-A1	NUT-Toggle Switch	1
6	95231	PLATE-Indicating	1
7	93653	SWITCH-Toggle	1
8	82398	SCREW-Plastita (#8 X 3/4")	4
9	98772-A	TRIGGER	1
10	A-03006	CABLE-Throttle	1
11	A-03812	LEAD-Electrical	1
12	A-98916-A	LEAD-Ground	1
13	A-03287-A	HOUSING-Drive Shaft (Black)	1
14	04488	DECAL-Starting (Instructions)	1
15	04488	DECAL-Warning	1
16	08818	SHAFT-Flex	1
17a	A-04529	HANDLE BAR (ST-185BC)	1
17b	A-03480-A	HANDLE BAR ("J") (HBC-18)	1
NOTE: Both assemblies contain the Following:			
18	84474-B	GRIP	1
18	81287	NUT (1/4-20)	2
20	83051	WASHER (1/4")	2
21	00422	CLAMP-Handle Bar	2
22	88076	SCREW-Sems Hex Hd. (1/4-20 X 1")	1
23	88071	SCREW-Sems Hex Hd. (1/4-20 X 1/2")	1
24	A-04708	DEFLECTOR-Grass	1
25	80881-3	SCREW-Mach Hex Hd. (1/4-20 X 1/2")	3
26	80869	SCREW-Mach Hex Hd. (10-24 X 3/8")	2
27	96858	BLADE-Cut-Off	1
28	81208	NUT (10-24)	2
29	A-04457	HOUSING-Lower Bearing	1
30	88078	SCREW-Sems Hex Hd. (1/4-20 X 1")	1
31	82450	SCREW-Mach Hex Hd. (10-24 X 3/8")	1
32	98834-A	SHAFT-Spindle	1
33	89836-1A	WASHER-Flanged	1
34	D-98717-A	BLADE-Tri-Arc (9")	1
35	98836	WASHER-Cupped	1
36	88837	NUT-Hex Locking (R.H.)	1
37	88849	CONNECTOR-Drive	1
38a	DA-03001	STRINGHEAD-Complete (ST-185BC)	1
38b	DA-04591	STRINGHEAD-Complete (HBC-18)	1
39	A-98231-A	HOUSING & EYELET (Dual Line)	1
40	96848	SPRING-Compression	1
41a	DA-98912-D	SPOOL & STRING (.080" Line) (ST-185BC)	1
41b	DA-02658-B	SPOOL & STRING (.085" Line) (HBC-18)	1
42	DA-98866-A	RETAINER-Spool (R.H. Thread)	1

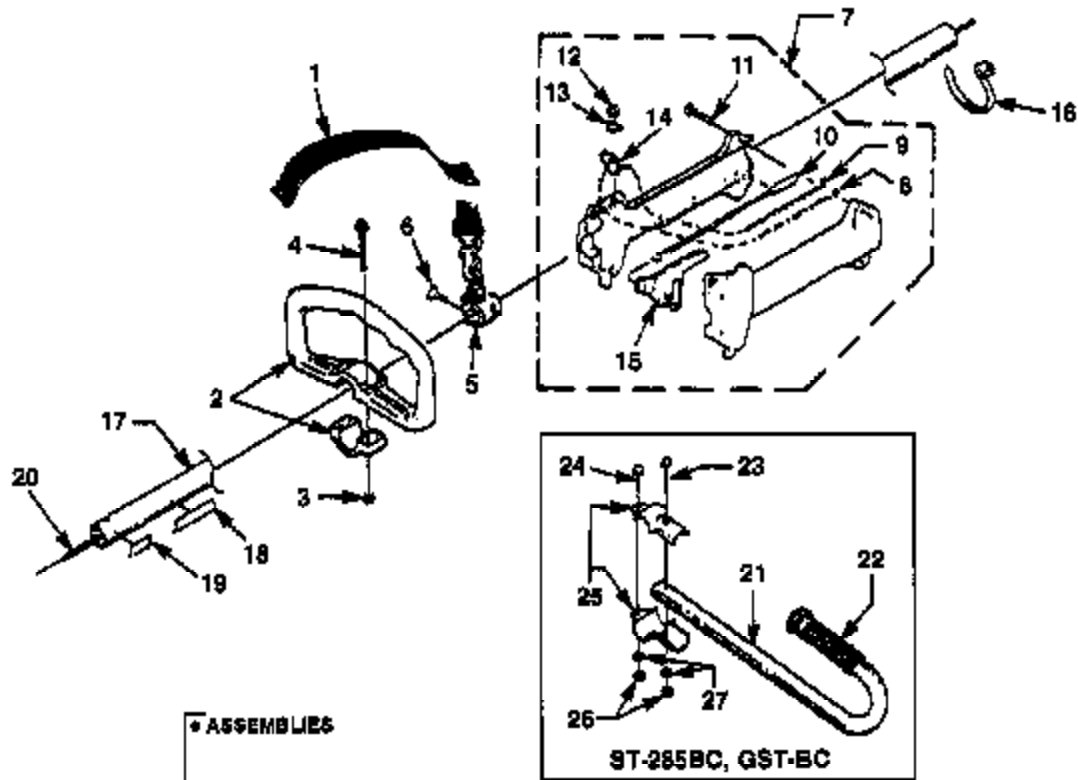
ST-275BC, HLT-28



No.	Part No.	Description	Qty
1	A-04709	HANDLE KIT-Front Loop	1
2	80295	SCREW-Hex Hd (1/4-20 X 2")	1
3	93992	NUT-Wing (1/4-20)	1
4	A-00101-A	HANDLE GRIP ASSEMBLY	1
5	99772-A	TRIGGER	1
6	A-03008	CABLE-Throttle	1
7	82368	SCREW-Plastic (8 X 3/4")	6
8	A-04379-A	HOUSING-Drive Shaft	1
9	99818	SHAFT-Flexible	1
10	04458	DECAL-Starting Instructions	1
11	04879	DECAL-Warning	1
12	A-04638-A	GEAR HEAD	1
13	88048	SCREW-Hex Hd (10-24 X 1/2")	2
14	82298	SCREW-Hex Hd (10-24 X 5/8")	5
15	04188-A	WASHER-Flanged	1
16	04355	ADAPTOR-Shaft	1
17	A-04683-A	GRASS DEFLECTOR KIT	1
18a	00074	BLADE-Cut Off	1
18b	00075	BLADE-Cut Off	1
19	80858	SCREW-Mach. Hex Hd (10-24 X 3/8")	2
20	81208	NUT-Lock Hex (10-24)	2
21a	D.A-09001	STRINGHEAD COMPLETE (ST275) (.080" Line)	1
21b	D.A-04591	STRINGHEAD COMPLETE (HLT-26) (.085" Line)	1
22	A-98231-A	HOUSING & EYELET (Dual Line)	1
23	99848	SPRING-Compression	1
24a	DA-98912-D	SPOOL & STRING (.080" Line) (ST275)	1
24b	DA-02598-B	SPOOL & STRING (.085" Line) (HLT-26)	1
25	DA-98886-A	RETAINER-Spool (R H. Thread, Black)	1

ASSEMBLIES

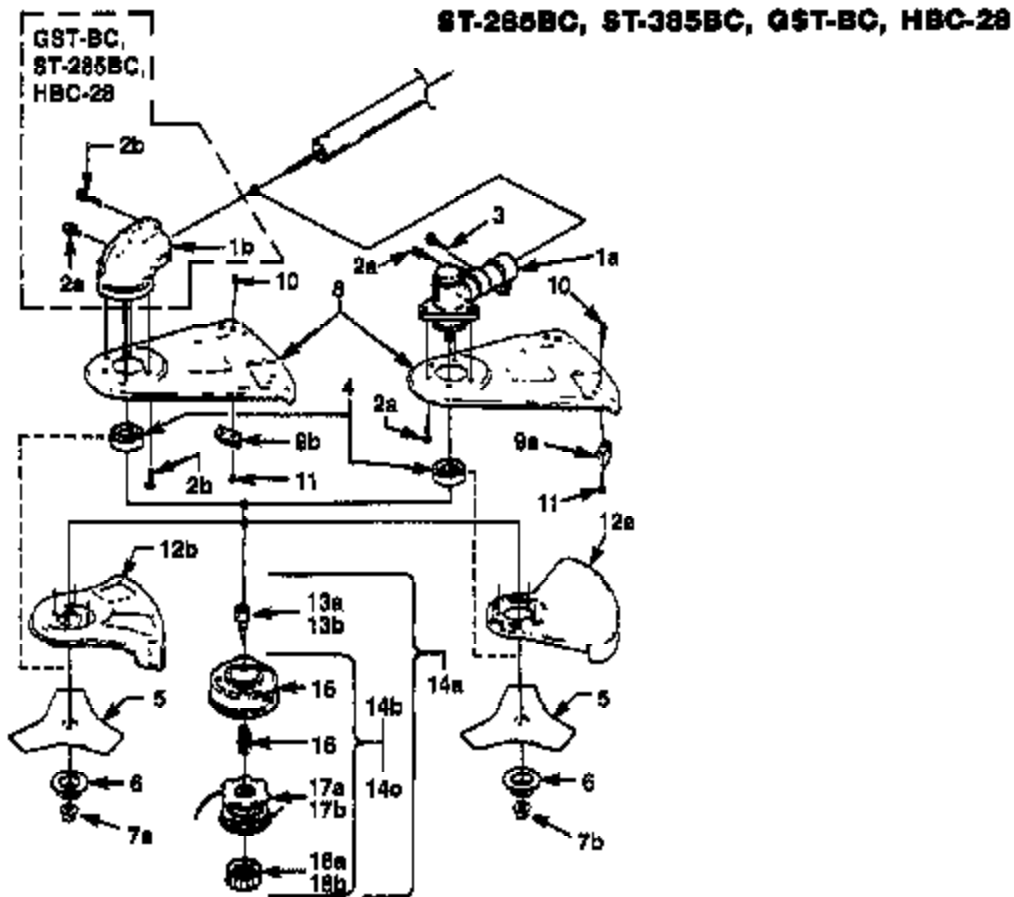
ST-285BC, ST-385BC, GST-BC, HBC-28



• ASSEMBLIES

ST-285BC, GST-BC

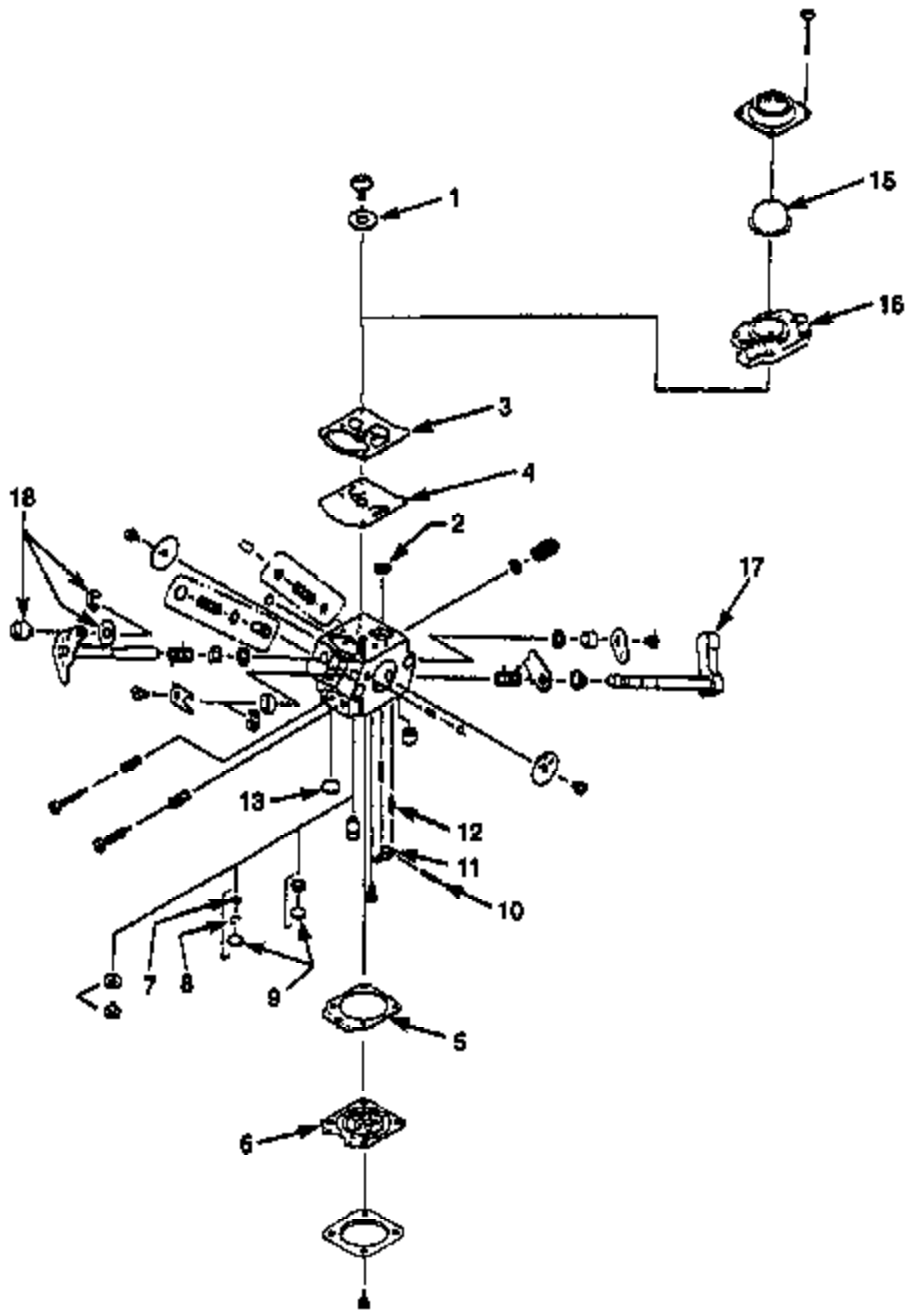
No.	Part No.	Description	Qty
1	DA-92703-B	HARNESS w/Connector (ST885-BC, HBC-28)	1
2	A-00788	HANDLE KIT-Front (ST885-BC, HBC-28)	1
3	00677	NUT-Hex (M5 X 0.8)	4
4	00678	SCREW-Hex Hd. (M5 X 0.8 X 35)	4
5	A-94442	BRACKET-Hanger (ST385-BC, HBC-28)	1
6	82280	SCREW-Thumb (10-24 X 1/2")	1
7	A-03911-1	HANDLE GRIP ASSEMBLY	1
8	A-98919-A	LEAD-Ground	1
9	A-03912	LEAD-Electrical	1
10	A-03006	THROTTLE CABLE	1
11	82368	SCREW-Plastic (8 X 3/4")	5
12	72084-A1	NUT-Toggle Switch	1
13	95231	PLATE-Indicating	1
14	93853	SWITCH-Toggle	1
15	98772-A	TRIGGER	1
16	48840	CABLE TIE	1
17a	A-03800-A	HOUSING-Drive Shaft (ST385-BC)	1
18a	04458	DECAL-Starting Instructions	1
19a	04493	DECAL-Safety	1
20a	98832	DRIVE SHAFT	1
17b	A-04883	HOUSING-Drive Shaft (HBC-28, ST285-BC, GST-BC)	1
18b	04458	DECAL-Starting Instructions	1
19b	02965	DECAL-Warning	1
20b	88818	SHAFT-Flexible	1
21	A-03490-A	J-HANDLE BAR KIT (ST285-BC, GST-BC)	1
22	94474-B	GRIP-Handle	1
23	86071	SCREW-Hex Hd. (1/4-20 X 1/2")	1
24	88078	SCREW-Hex Hd. (1/4-20 X 1")	1
25	00422	CLAMP-Handle Bar	1
26	81267	NUT-Hex (1/4-20)	2
27	83061	WASHER (1/4")	2



No.	Part No.	Description	Qty	No.	Part No.	Description	Qty
1a	A-03666	GEAR HEAD (ST385-BC)	1	12a	98847-2	BLADE GUARD (ST385-BC)	1
1b	A-04836-A	GEAR HEAD (ST285-BC, GST-BC, HBC-28)	1	12b	04410-1	BLADE GUARD (ST285-BC, GST-BC, HBC-28)	1
2a	88049	SCREW-Hex Hd (10-24 X 1/2")	2	13a	98851-41	SHAFT ADAPTOR (ST385-BC) (L H)	1
2b	82298	SCREW-Hex Hd (10-24 X 6/8") (ST285-BC, GST-BC, HBC-28)	6	13b	04386	SHAFT ADAPTOR (ST285-BC, GST-BC, HBC-28) (R H)	1
3	88053	SCREW-Socket Hd (10-24 X 1") (ST385-BC)	2	14a	DA-03174	STRINGHEAD COMPLETE (ST385-BC) (045" Line)	1
4	04188-A	WASHER-Flanged	1	14b	DA-04591	STRINGHEAD COMPLETE (HBC-28) (065" Line)	1
5	D-98717-B	BLADE-TriArc	1	14c	DA-03001	STRINGHEAD COMPLETE (ST285-BC, GST-BC) (080" Line)	1
6	04409	WASHER-Cupped, Lower	1	15	A-98291-A	HOUSING & EYELET	1
7a	98897	NUT-Hex Locking (R H)	1	16	98846	SPRING-Compression	1
7b	04277	NUT-Hex Locking (L H)	1	17a	DA-02598-B	SPOOL & STRING (ST385-BC, HBC-28)	1
8	A-04883	GRASS DEFLECTOR	1	17b	DA-98912-D	SPOOL & STRING (ST285-BC, GST-BC)	1
8a	00074	BLADE-Cut Off	1	18a	DA-97910-B	SPOOL RETAINER (ST385-BC) (L H)	1
8b	00075	BLADE-Cut Off	1	18b	DA-98896-A	SPOOL RETAINER (ST285-BC, GST-BC, HBC-28) (R H)	1
10	80888	SCREW-Mech Hex Hd (10-24 X 3/8")	2				
11	81208	NUT-Hex (10-24)	2				

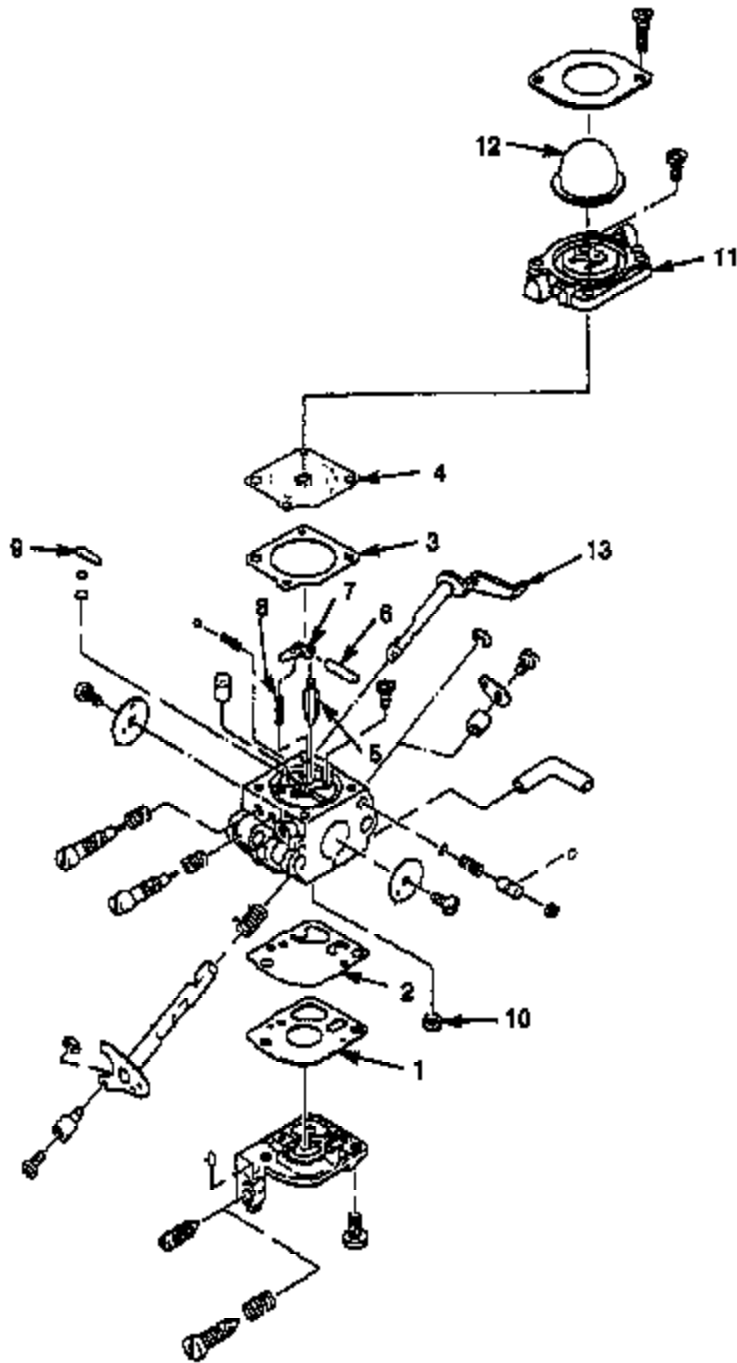
◆ ASSEMBLY

WALBRO
WT-191
 A-03002



- Repair Kit (1-13) A-02665
- Gasket/Diaphragm Kit (3-5) A-00265-A
- Primer Bulb (15) 01201
- Primer Base (16) A-01200-A
- Choke Shaft & Lever 03176 (17)
- Swivel Kit A-00269 (18)

ZAMA
G1U-H18A
 A-03003



Repair Kit (1-10) A-03979
 Gasket/Diaphragm Kit (1-4) A-03980
 Primer Bulb (12) A-01195-A
 Primer Base (11) A-03062
 Choke Rod (13) 04902

ACCESSORIES

SAW BLADE..... **D-98935-A**
 (ST-185BC, GST-BC, ST-285BC, ST-385BC,
 HBC-18, HBC-28)

GREASE, MULTI-PURPOSE **18453**

MACHETE BLADE **DA-00714-A**
 (ST-185BC, GST-BC, ST-285BC, ST-385BC,
 HBC-18)

THREAD LOCKING COMPOUND **23488-C**

MODULE AIR GAP SHIM **24306**

SAW BLADE..... **A-04191**
 (ST-155, SX-135, ST-175G, HLT-15, GST,
 HLT-16, HLT-18)

IGNITION TEST SPARK PLUG **JA-31316-4**

RUBBER TUBING (10 Ft.) **94772-99**

STARTER ROPE (250 Ft. Reel) **98052-A**

ST FASTENER KIT **A-04709**

REPLACEMENT STRING (3 lb. Box) **98011-06**
 (.080" Dia.)

REPLACEMENT STRING (3 lb. Box) **03959-04**
 (.095" Dia.)

TORX BIT (T25) **24982-03**
 (For Clutch Drums)

TORX BIT (T27) **18566-01**

STRINGHEAD-Complete **A-03001**
 (.080 Line) (Right Hand Thread) (Black Re-
 tainer) (ST-155, SX-135, ST-175G, HLT-15,
 GST-18, HGT, ST-185BC, ST-275, ST-285BC,
 GST-BC)

STRINGHEAD-Complete **A-03174**
 (.095 Line) (Left Hand Thread) (Red Retainer)
 ST-385BC

STRINGHEAD-Complete **A-04591**
 (.095 Line) (Right Hand Thread) (Black Re-
 tainer) (HLT-16, HLT-18, HBC-18, HLT-28,
 HBC-28)

STRINGHEAD-Complete **A-04592**
 (.080 Line) (Left Hand Thread) (Red Retainer)
 (ST-275, ST-285BC, GST-BC)

CLUTCH MODELS	NON-CLUTCH MODELS	
<p>ST-185BC ST-285BC ST-385BC GST-BC HBC-18 HBC-28</p>	<p>ST-155 SX-135 ST-175G ST-275 GST-18</p>	<p>HLT-15 HLT-16 HLT-18 HLT-28</p>

CUSTOMER ASSISTANCE

FOR THE LOCATION OF YOUR NEAREST HOMELITE SERVICING DEALER
IN THE UNITED STATES, PUERTO RICO, AND THE VIRGIN ISLANDS,

CALL: 1-800-242-4672

HEADQUARTERS

HOMELITE DIVISION OF TEXTRON INC.
P.O. BOX 7047
CHARLOTTE, N.C. 28241

OVERSEAS OFFICES

NETHERLANDS

HOMELITE TEXTRON
DIVISION OF TEXTRON ATLANTIC
(HQS. - EUROPE, AFRICA and MIDDLE EAST)
Haverstraat 24
2183 GB Nieuw Vennep
The Netherlands

FRANCE

HOMELITE DIVISION OF TEXTRON
B.P. 7011
95050 Cergy-Pontoise Cedex
France

AUSTRALIA

HOMELITE DIVISION OF TEXTRON
PACIFIC LIMITED
HEADQUARTERS
84 Rushdale Street
Knoxfield, Victoria 3180
Australia

CANADIAN OFFICES

HOMELITE

DIVISION OF TEXTRON CANADA LIMITED
1850 65th Avenue
Lachine, Quebec, Canada
H8T 3J5

212-214 590 Ebury Place
New Westminster, B.C.
V3M 6K7

595 Canarollo Drive
Toronto, Ontario
M3J 2P8

HOMELITE TEXTRON

Homelite Division of Textron Inc.