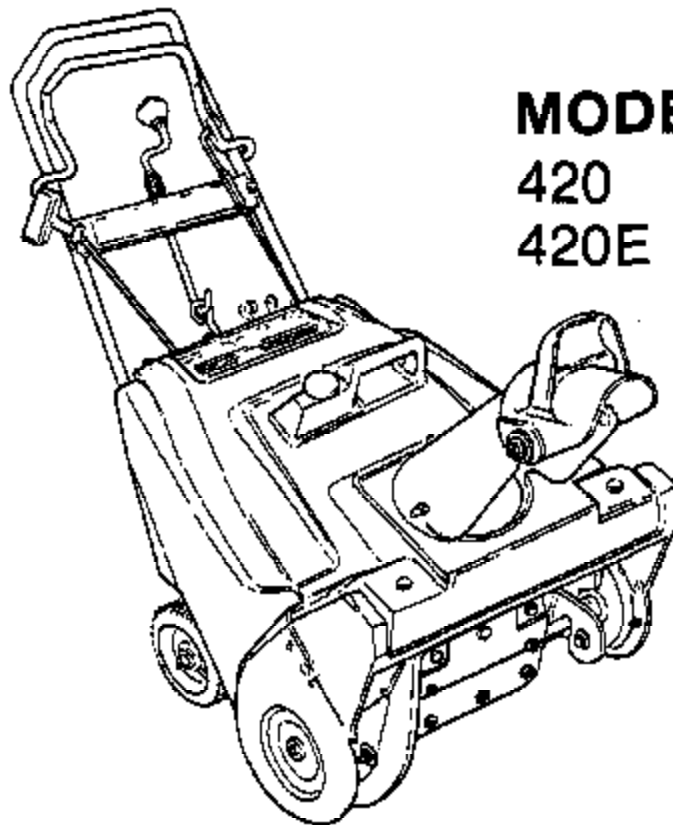


# HOMELITE®

# PARTS LIST

# 420 SNOW-THROWER



## MODELS:

420 UT-35020A

420E UT-35021A



## WARNING

IF INCORRECTLY USED THIS MACHINE CAN CAUSE SEVERE INJURY. THOSE WHO USE AND MAINTAIN THE MACHINE SHOULD BE TRAINED IN ITS PROPER USE, WARNED OF ITS DANGERS, AND SHOULD READ THE ENTIRE MANUAL BEFORE ATTEMPTING TO SET UP, OPERATE, ADJUST OR SERVICE THE MACHINE.

PRINTED IN U.S.A.

PART NUMBER JA-99408-4  
PRICE 350



**PARTS LIST - FIGURE 1**

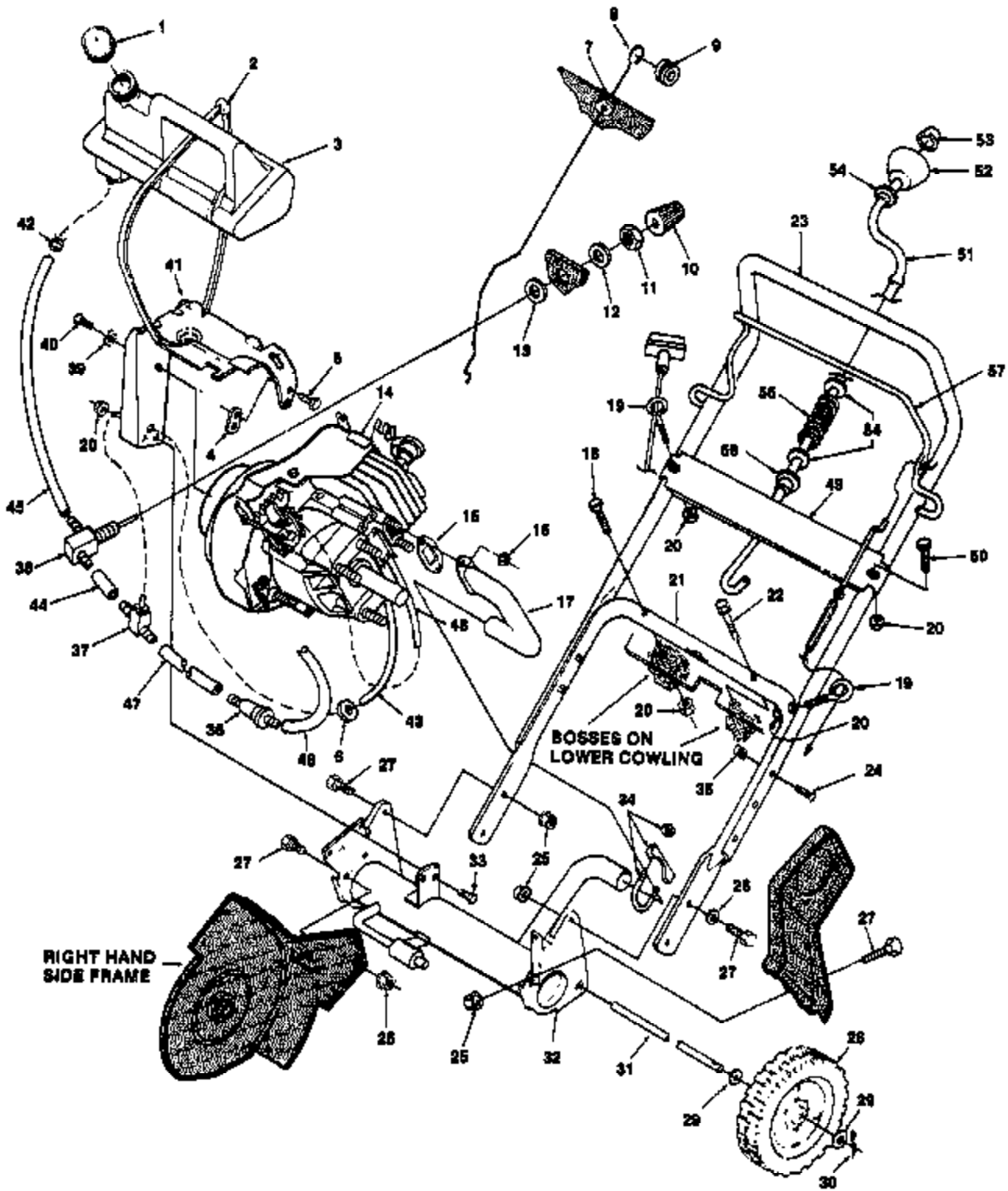
NO.	PART NO.	QTY.	DESCRIPTION
1	JA-99155-6	1	DEFLECTOR
2	JA-44008-2	2	BOLT- Carr. 5/16-18 x 1"
3	JA-99162-6	2	WASHER- Flat rubber
4	JA-99155-6	2	WASHER- Octagon
5	JA-45508-1	2	WASHER- Flat 5/16"
6	JA-99162-7	2	WASHER- Belleville
7	JA-44577-6	2	NUT- Flange 5/16-18
8	JA-99171-6	1	CHUTE (w/decals) Includes: DECAL- Warning
9	JA-99164-8	1	DECAL- Warning
10	JA-44007-6	3	BOLT- Square neck 5/16-18 x 5/8"
11	JA-99199-6	1	COWLING- Transition
12	JA-99250-8	1	COWLING- Upper (Incl. #31 & #32)
13	82409	7	SCREW- Thd. forming #10 x 5/8"
14	JA-40010-8	11	SCREW- Hex 1/4-20 x 3/4"
15	JA-45302-3	11	WASHER- Plain 1/4"
16	JA-99155-6	1	GASKET- Chute
17	JA-99199-2	1	RETAINER- Gasket
18	JA-44552-4	8	NUT- Push on
19	JA-99199-4	2	RETAINER
20	JA-99155-1	1	BASE- Chute
21	JA-99199-5	1	BRACKET- Gear
22	JA-99181-1	1	DRIVE- Gear
23	JA-99155-9	1	GEAR- Idler
24	JA-99182-9	2	SCREW- Plastite #12-14 x 1"
25	JA-44576-6	14	NUT- Flange 1/4-20
26	JA-99250-6	1	PLATE- Chute base
27	JA-99400-8	1	HOUSING- Auger
28	JA-99160-9	1	SCOOP
29	JA-44180-6	5	BOLT- Carr. Sq. Neck 1/4-20 x 3/4"
30	JA-99180-1	1	SCRAPER- Bar
31	JA-99407-3	1	DECAL- Console
32	JA-99235-4	1	DECAL- Warning
33	JA-99256-4	1	ROD- Crank adj.
34	JA-44613-4	3	WASHER- Lock 5/16"
35	JA-44310-6	3	NUT- Hex 5/16-18
36	JA-44527-7	2	U-CLIP- #10
37	JA-40971-8	2	SCREW- Hex Hd. #10-18 x 1 1/2"
38	JA-48002-6	1	PIN- Cotter 1/8 dia.
39	JA-40990-8	4	SCREW- Hex hd. 1/4-20 x 5/8"
40	JA-45200-2	2	WASHER- Flat #10



**PARTS LIST - FIGURE 2**

<b>NO.</b>	<b>PART NO.</b>	<b>QTY.</b>	<b>DESCRIPTION</b>
1	JA-40391-2	8	SCREW- Phillips #10-24 x 5/8"
2	JA-99253-2	1	SHAFT- Auger
3	JA-99253-1	12	SPACER
4	JA-99409-3	1	BLADE- Auger (set of 2) (incl. #3, 57 & 7)
5	JA-40010-8	8	SCREW- Hex 1/4-20 x 3/4"
6	JA-45302-3	8	WASHER- Plain 1/4"
7	JA-99407-6	2	CLAMP- Plate
8	JA-37550-8	5	SCREW- #10 x 3/4"
9	JA-99180-8	1	SHIELD- Belt
10	JA-99075-8	1	NUT- 5/16-18
11	JA-44575-8	18	NUT- Flange 1/4-20
12	JA-48310-7	1	KEY- 5/8 x 5/32"
13	JA-44577-5	4	NUT- Flange 5/16-18
14	JA-41551-1	1	SCREW- Set 1/4-20 x 3/8"
15	JA-99407-2	1	PULLEY- Drive
16	JA-99259-6	1	CABLE & SPRING
17	JA-37550-8	8	NUT-#10-24
18	JA-99079-8	6	WASHER- Retaining
19	JA-40228-8	1	SCREW- Hex hd. 3/8-16 x 1 1/2"
20	JA-45301-1	1	WASHER- Flat 3/8"
21	JA-37543-5	1	PULLEY
22	JA-99162-2	1	ARM- Idler
23	JA-99144-2	1	SPRING- Extension
24	JA-37543-1	1	BOLT
25	JA-99081-2	1	BELT- Drive
26	JA-99081-6	1	PULLEY- Driven
27	JA-31381-0	1	WASHER
28	JA-44485-0	1	NUT- Hex 3/8-16
29	JA-40010-6	2	SCREW- 1/4-20 x 5/8"
30	JA-37543-8	1	SPACER
31	JA-40888-1	1	SCREW- Plastite 1/4-10 x 5/8" Rd. Hd.
32	JA-99058-3	1	FRAME- Left side
33	JA-44521-0	3	NUT- Speed #10
34	JA-99164-3	1	GROMMET- Metal
35	JA-40011-0	8	SCREW- Hex 1/4-20 x 7/8"
36	JA-99172-7	1	GUARD- Belt
37	JA-99249-8	1	BRACKET- Control panel
38	JA-99167-7	1	DECAL- Electric start (420E only)
39	JA-99166-6	1	GUIDE- Belt
40	JA-44561-2	1	NUT- Wing 1/4-20
41	JA-34306-0	1	KEY- Ignition (set of 2)
42	JA-15064-1	1	SWITCH- Ignition
43	JA-99075-6	1	CUP- Fuel primer
44	JA-99075-4	1	FITTING- Fuel primer
45	JA-99075-5	1	BULB- Fuel primer
46	JA-99101-1	1	DECAL- Fuel valve
47	JA-99261-1	1	COWLING- Lower (Incl. #38 & #46)
48	JA-40890-8	1	SCREW- 1/4-20 x 5/8"
49	JA-99072-2	1	GROMMET
50	JA-99060-3	1	TUBE- Rubber
51	JA-37594-2	1	CLIP- Spring
52	JA-99082-9	1	FRAME- Right side
53	JA-99179-5	1	COVER- Spring
54	JA-40011-4	2	SCREW- Hex hd. 1/4-20 x 1 1/4"
55	JA-44613-0	2	WASHER- Lock 1/4"
56	JA-44310-2	2	NUT- Hex 1/4-20
57	JA-99158-6	4	SPACER

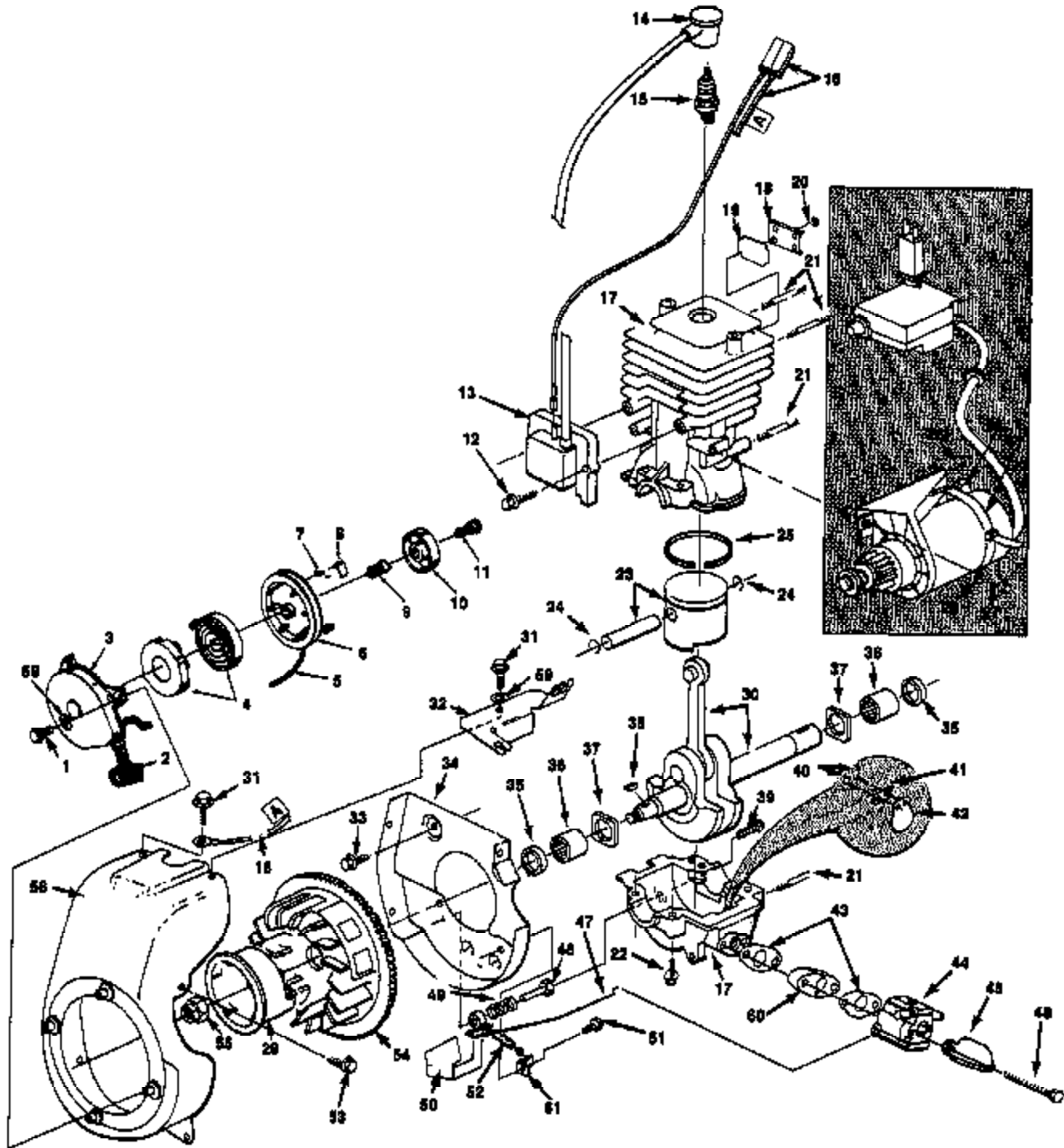
**FIGURE 3**



**PARTS LIST - FIGURE 3**

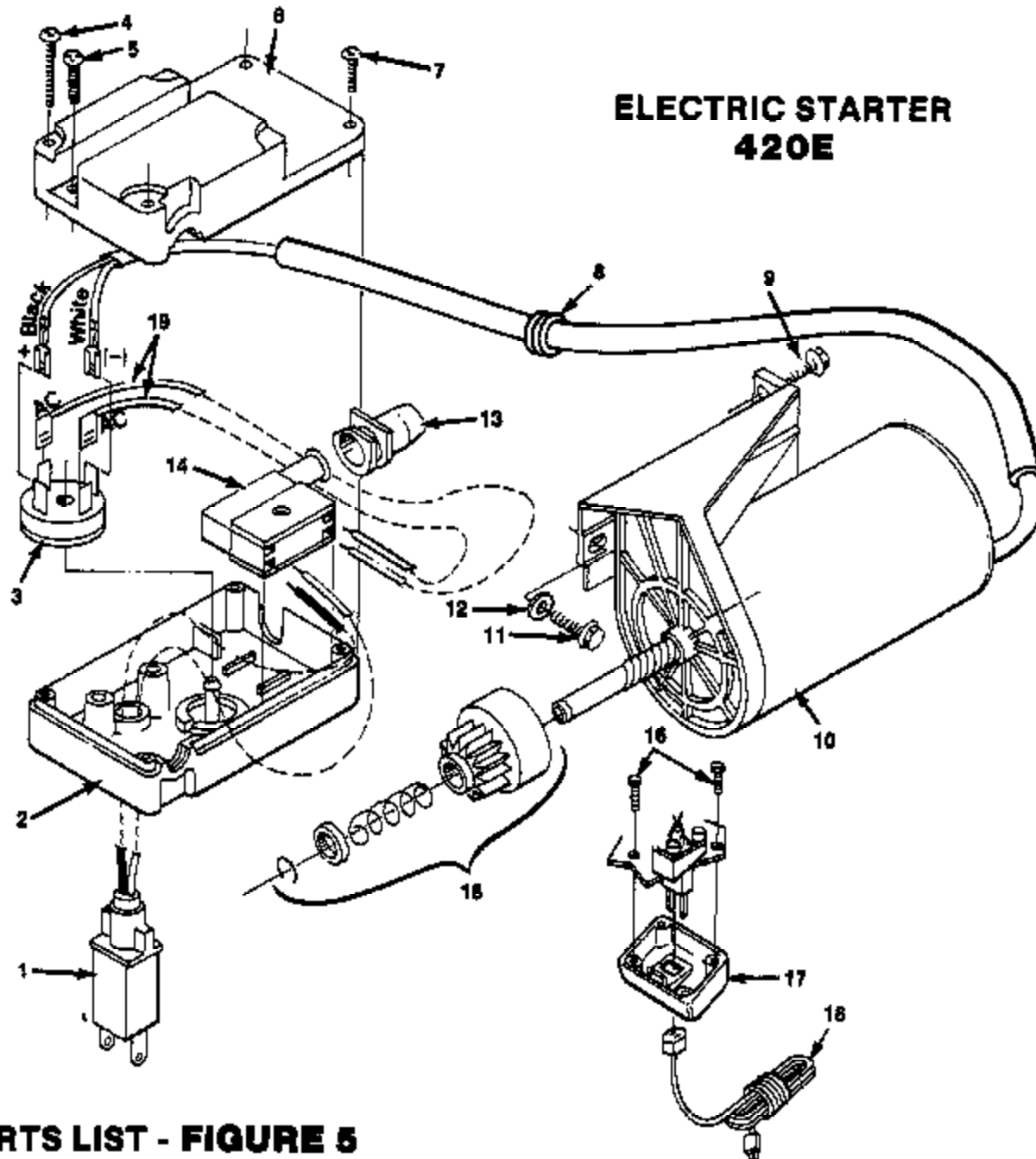
NO.	PART NO.	QTY.	DESCRIPTION
1	JA-18167-2	1	CAP- Tank
2	JA-89111-8	2	TIE- Strap
3	JA-39738-9	1	TANK- Fuel
4	JA-37599-3	1	SPACER
5	JA-41691-1	2	SCREW- Thd. forming #10-24 x 3/4"
6	JA-99072-2	1	GROMMET
7	JA-99120-6	1	GROMMET
8	JA-99255-9	1	ROD- Choke
9	JA-99142-7	1	GROMMET
10	JA-37599-4	1	KNOB- Shut-Off
11	JA-44381-6	1	NUT- Hex 7/16-20
12	JA-44721-8	1	WASHER- Lock 7/16"
13	JA-46301-3	1	WASHER- Flat 7/16"
14	JA-99169-9	1	SHORT BLOCK
15	JA-99449-0	1	GASKET- Manifold
16	JA-44480-6	2	NUT- Hex 5/16-18
17	JA-99094-0	1	MANIFOLD- Exhaust
18	JA-40011-6	1	SCREW- Hex hd. Cap 1/4-20 x 1 1/2"
19	JA-99274-5	2	BOLT- Eye
20	JA-44578-8	6	NUT- Flange 1/4-20
21	JA-99169-9	1	HANDLE- Lower
22	JA-40971-8	1	SCREW- Hex washer #10-18 x 1 1/2"
23	JA-99258-3	1	HANDLE- Upper
24	JA-37561-0	4	SCREW- Phil Pan hd. 1/4-20 x 1 1/2"
25	JA-44577-5	6	NUT- Flange 5/16-18
26	JA-46300-9	2	WASHER- Flat 5/16" (left side only)
27	JA-40018-4	8	SCREW- Hex 5/16-18 x 3/4"
28	JA-12408-0	2	WHEEL & TIRE
29	JA-46301-1	4	WASHER- Flat 3/8"
30	JA-48001-4	2	PIN- Cotter 3/32-3/4"
31	JA-37542-9	1	SHAFT- Axle
32	JA-99282-5	1	MUFFLER
33	JA-40010-4	2	SCREW- Hex 1/4-20 x 1/2"
34	JA-99079-9	1	CLAMP- Muffler
35	JA-44528-4	4	NUT- RETAINER 1/4-20
36	JA-99294-0	1	FILTER- Fuel
37	JA-99060-1	1	FITTING- Fuel
38	JA-37599-6	1	VALVE
39	JA-45402-3	1	WASHER- Lock 1/4"
40	JA-40010-2	1	BOLT- Hex 1/4-20 x 3/8"
41	JA-39737-0	1	BRACKET- Fuel tank
42	JA-47280-1	1	CLAMP
43	JA-99080-3	1	TUBE- Rubber (17")
44	JA-99080-7	1	TUBE- Rubber (1 1/2")
45	JA-99080-7	1	TUBE- Rubber (7 1/4")
46	JA-99080-7	1	TUBE- Rubber (8")
47	JA-99080-7	1	TUBE- Rubber (13 1/2")
48	JA-99080-3	1	TUBE- Rubber (11 1/4")
49	JA-99257-8	1	BRACE- Handle
50	JA-40011-4	1	SCREW- Hex hd. 1/4-20 x 1 1/4"
51	JA-99258-6	1	CRANK- Chute Adj.
52	JA-37501-7	1	KNOB- Chute
53	JA-44525-8	1	NUT- Push on
54	JA-45505-1	3	WASHER- Flat
55	JA-99182-8	1	SPRING- Comp.
56	12839	1	BUSHING- Nylon
57	JA-99273-4	1	BAIL

**FIGURE 4**



**PARTS LIST - FIGURE 4**

NO.	PART NO.	QTY.	DESCRIPTION
	JA-51883-B	1	REWIND STARTER ASSEMBLY- (Complete) (Incl. 2 thru 11)
1	80044	4	SCREW- Hex Hd. 1/4-20 x 1/2"
2	JA-54600-3	1	HANDLE- Pull Rope
3	JA-51883-3	1	HOUSING ASSEMBLY
4	JA-50079-0	1	SPRING & KEEPER ASSEMBLY
5	JA-66694-5	1	ROPE- 75"
6	JA-63603-1	1	PULLEY
7	JA-64609-9	1	SPRING- Dog
8	JA-37366-3	1	DOG
9	JA-54600-1	1	SPRING- Brake
10	JA-54600-2	1	RETAINER
11	JA-54600-0	1	SCREW
12	JA-41660-8	2	SCREW- Thd. rolling
13	A-97557-A	1	MODULE- Ignition
14	A-33055	1	COVER- Spark
15	98455	1	SPARK PLUG (CJ&Y)
16	A-95577	1	LEAD- Electrical
17	A-95542-A	1	CYLINDER & CRANKCASE (Incl. 18, 19, 20, 21, & 22)
18	96220	1	COVER- Cylinder
19	96221	1	GASKET
20	96922	4	SCREW- Thd. rolling 8-32 x 5/16"
21	97376	8	STUD- Thd. rolling
22	89071	4	SCREW- Same hex hd. 1/4-20 x 1 1/2"
23	A-95698	1	PISTON & PIN ASSEMBLY (Incl. 24 & 25)
24	84742	2	RING- Pin retaining
25	96512	1	PISTON- Ring
26	JA-41891-1	2	SCREW- 10-24 x 3/4" (420E)
27	JA-99078-4	1	SCREW- (420E) 12-24 x 5/8"
28	JA-99078-3	1	WASHER (420E)
29	JA-99405-2	1	HUB- Starter
30	A-87725-A	1	CRANKSHAFT ASSEMBLY
31	82466	2	SCREW- Thd. forming 1/4-20 x 1"
32	97830-A	1	BRACKET
33	82469	4	SCREW- Thd. forming 10-24
34	95500-3	1	PLATE- Fan housing
35	96510	2	SEAL- Shaft
36	76167-B	1	BEARING- Needle
37	95506-A	2	WASHER- Thrust
38	75078	1	KEY- Woodruff
39	85098	1	SCREW 8-32 x 3/4"
40	82498	2	SCREW #8 x 1"
41	95594	1	STOP- Reed
42	66775	1	REED VALVE
43	93505-B	2	GASKET- Carburetor
44	JA-99405-8	1	CARBURETOR
45	95561	1	SHIELD- Carburetor
46	82525	2	SCREW- Thd. forming 10-24
47	00448	1	THROTTLE ROD
48	97458-1	1	PIN- Pivot
49	97031-A	1	SPRING
50	99007	1	VANE- Governor
51	80853	1	SCREW- Tap pan head #8 x 1/4"
52	95513	1	SPRING- Extension
53	82404	4	SCREW- Tap hex hd. #10 x 3/8"
54	95519-A	1	ROTOR
55	81104	1	NUT- Hex 7/16-20
56	A-00449-1	1	HOUSING- Fan
57	JA-99111-B	1	STRAP- Tie
58	JA-99078-8	1	NUT- Hex 5-16 x 16
59	83009	6	WASHER- Lock
60	00366	1	SPACER- Carb.
61	00447	1	TAB- Gov. Adj.

**FIGURE 5****ELECTRIC STARTER  
420E****PARTS LIST - FIGURE 5**

NO.	PART NO.	QTY.	DESCRIPTION	NO.	PART NO.	QTY.	DESCRIPTION
1	95548	1	PLUG-Electrical	11	JA-99076-4	1	SCREW-Thd. forming 12-24 x 5/8"
2	95544	1	HOUSING-Electrical start	12	JA-99076-3	1	WASHER
3	95575	1	RECTIFIER	13	95549	1	BOOT-Switch
4	82400	1	SCREW-Thd. forming #8-16 x 1 1/4"	14	95547-A	1	SWITCH-Electric starter
5	JA-41680-3	2	SCREW-Thd. forming	15	A-99414	1	PINION
6	95545	1	COVER-Electric start	16	JA-37550-3	4	SCREW #10 x 3/4"
7	82378	2	SCREW-Thd. forming #8 x 1/2"	17	JA-39249-5	1	COVER-Starter
8	87831	1	GROMMET	18	JA-99279-1	1	CORD SET
9	JA-41691-1	2	SCREW-Thd. forming	19	A-95576-A	2	LEAD- Electrical
10	JA-99263-5	1	MOTOR- Pinion end plate (Incl. #8 & 15)				

