

PARTS LIST

SNOW THROWER

MODELS: 624
UT-35018A
824
UT-35019A

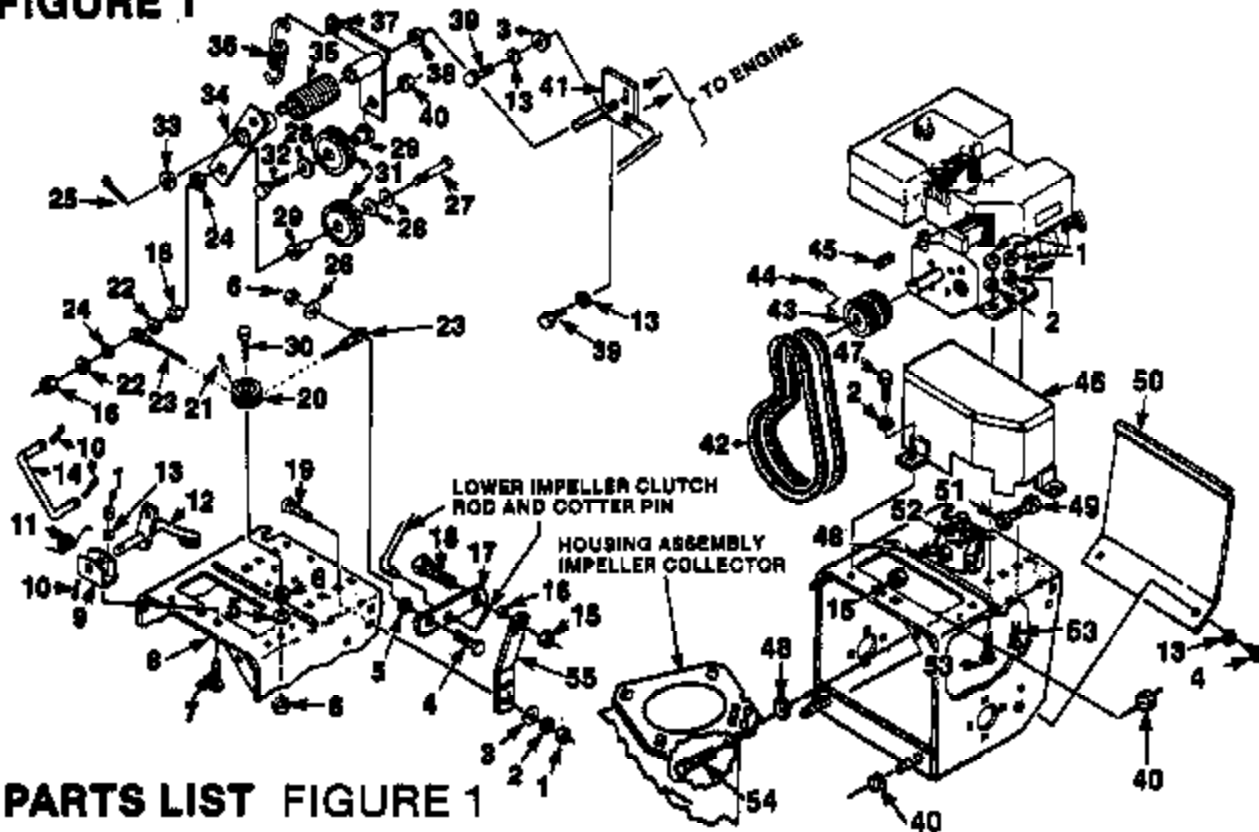
HOMELITE®



WARNING

IF INCORRECTLY USED THIS MACHINE CAN CAUSE SEVERE INJURY. THOSE WHO USE AND MAINTAIN THE MACHINE SHOULD BE TRAINED IN ITS PROPER USE, WARNED OF ITS DANGERS, AND SHOULD READ THE ENTIRE MANUAL BEFORE ATTEMPTING TO SET UP, OPERATE, ADJUST OR SERVICE THE MACHINE.

FIGURE 1

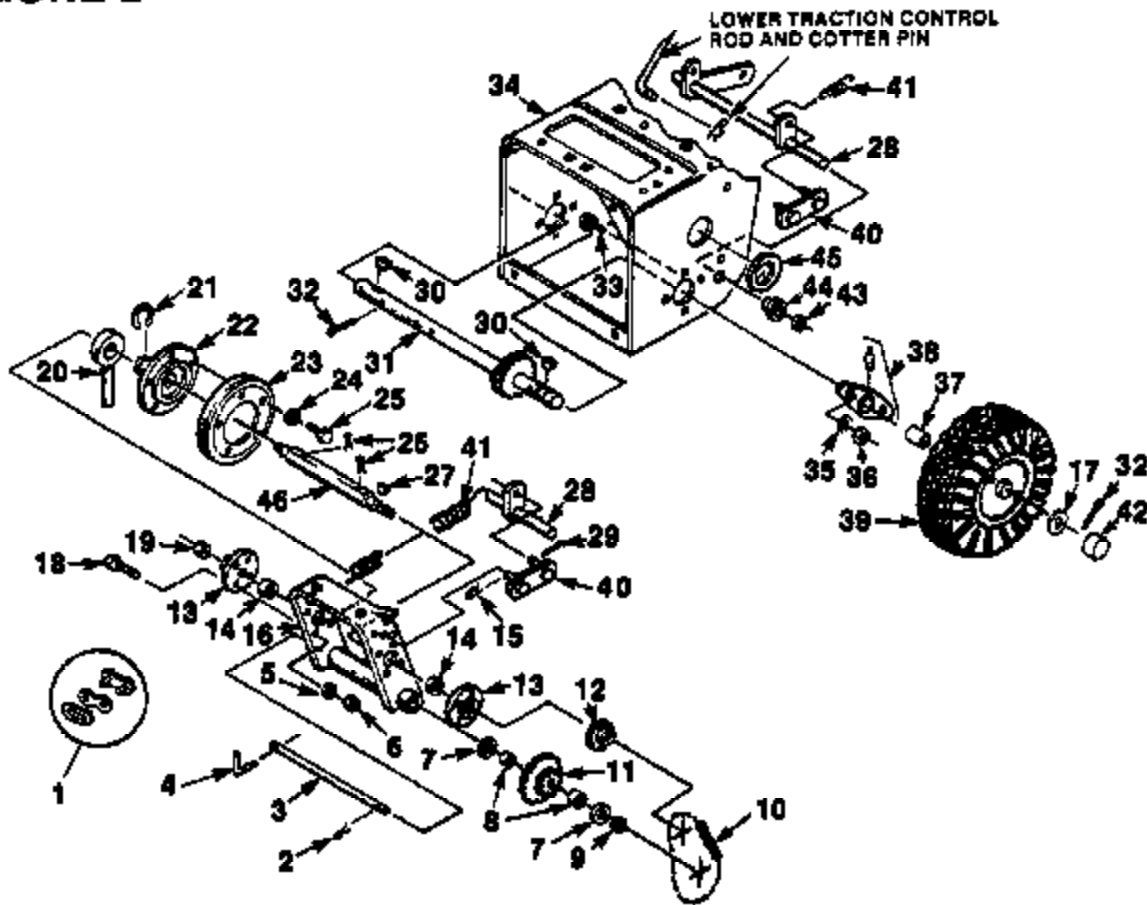


PARTS LIST FIGURE 1

NO.	PART NO.	QTY.	DESCRIPTION
1	JA-44310-8	8	NUT- Hex pivot mtg. 5/16-18
2	JA-44813-8	8	WASHER- Look pivot mtg. 5/16"
3	JA-45900-9	3	WASHER- Flat pivot mtg. 5/16"
4	JA-40010-8	1	SCREW- Hex hd. 1/4-20 x 5/8"
5	JA-44813-0	2	WASHER- Look hvy. 1/4"
6	JA-44310-2	3	NUT- Hex pulley mtg. 1/4-20
7	JA-44187-8	2	BOLT- Carriage 5/16-18 x 5/8"
8	JA-99140-4	1	FRAME ASSEMBLY
9	JA-99140-8	1	BRACKET- Brake rod support
10	JA-48001-4	3	PIN- Cotter 3/32 x 3/4"
11	JA-36834-0	1	SPRING- Brake rod torsion
12	JA-99140-8	1	BRAKE ARM ASSEMBLY
13	JA-44813-4	6	WASHER- Look med. 5/16"
14	JA-99140-7	1	LINK- Brake
16	JA-44471-8	2	NUT- Hex C/lock 5/16-18
18	JA-44381-0	3	NUT- Hex jam 3/8-18
17	JA-99140-8	1	BELL CRANK ASSEMBLY
18	JA-37543-1	1	BOLT- Shoulder washer face 5/16-18
19	JA-44007-8	2	BOLT- Pivot mtg. carr. 5/16-18 x 3/4"
20	JA-36817-4	1	PULLEY- Control cable
21	JA-48002-2	1	PIN- Cotter 1/16 x 2"
22	JA-30678-5	2	WASHER- Flat
23	JA-36833-1	1	CABLE- Impeller clutch
24	JA-44814-0	2	WASHER- Look med. 3/8"
25	JA-48002-8	1	PIN- Cotter ext. prong 1/8 x 1"
26	JA-45302-3	1	WASHER- Flat 1/4"
27	JA-40027-0	1	SCREW- Hex hd. 3/8-16 x 2"
28	JA-45301-1	3	WASHER- Flat SAE 3/8"
29	JA-34486-2	2	SPACER
30	JA-40011-8	1	SCREW- Hex hd. 1/4-20 x 1/2"
31	JA-99140-8	2	PULLEY- Idler

NO.	PART NO.	QTY.	DESCRIPTION
32	JA-40028-8	1	SCREW- Hex hd. 3/8-16 x 1 1/2"
33	JA-45801-7	1	WASHER- Flat idler cam retaining 17/32"
34	JA-99141-1	1	IDLER ARM ASSEMBLY
35	JA-35833-5	1	SPRING- Brake
36	JA-35833-4	1	SPRING- Traction idler
37	JA-99141-2	1	TRACTION IDLER ARM
38	JA-35814-5	1	SPACER- Idler
39	JA-40022-2	2	SCREW- Hex hd. cap 5/16-24 x 3/4"
40	JA-44478-2	6	NUT- Hex lock 3/8-16
41	JA-99141-3	1	IDLER PLATE ASSEMBLY
42	JA-33545-3	2	BELT- Drive
43	JA-38004-8	1	PULLEY- Engine
44	JA-41552-3	1	SCREW- Set soc. hd. 5/16-18 x 1/2"
45	JA-30898-8	1	KEY- Engine pulley mtg.
46	JA-99133-7	1	BELT- Guard
47	JA-40885-8	4	SCREW- Hex type T 5/16-18 x 5/8"
48	JA-45200-8	2	WASHER- Flat shift lever mtg. 5/16"
49	JA-36824-7	1	BOLT- Shift lever mtg.
50	JA-99135-7	1	COVER- Back
51	JA-45400-8	1	WASHER- Spring shift lever mtg.
52	JA-99141-4	1	LEVER- Shift
53	JA-44005-8	4	BOLT- Shnk. carr. (824) 5/16-18 x 1 1/2"
	JA-44007-8	4	BOLT- Shnk. carr. (824) 5/16-18 x 3/4"
54	JA-44182-4	1	BOLT- N reg. carr. 3/8-16
55	JA-99141-5	1	BRACKET- Belt crank pivot

FIGURE 2

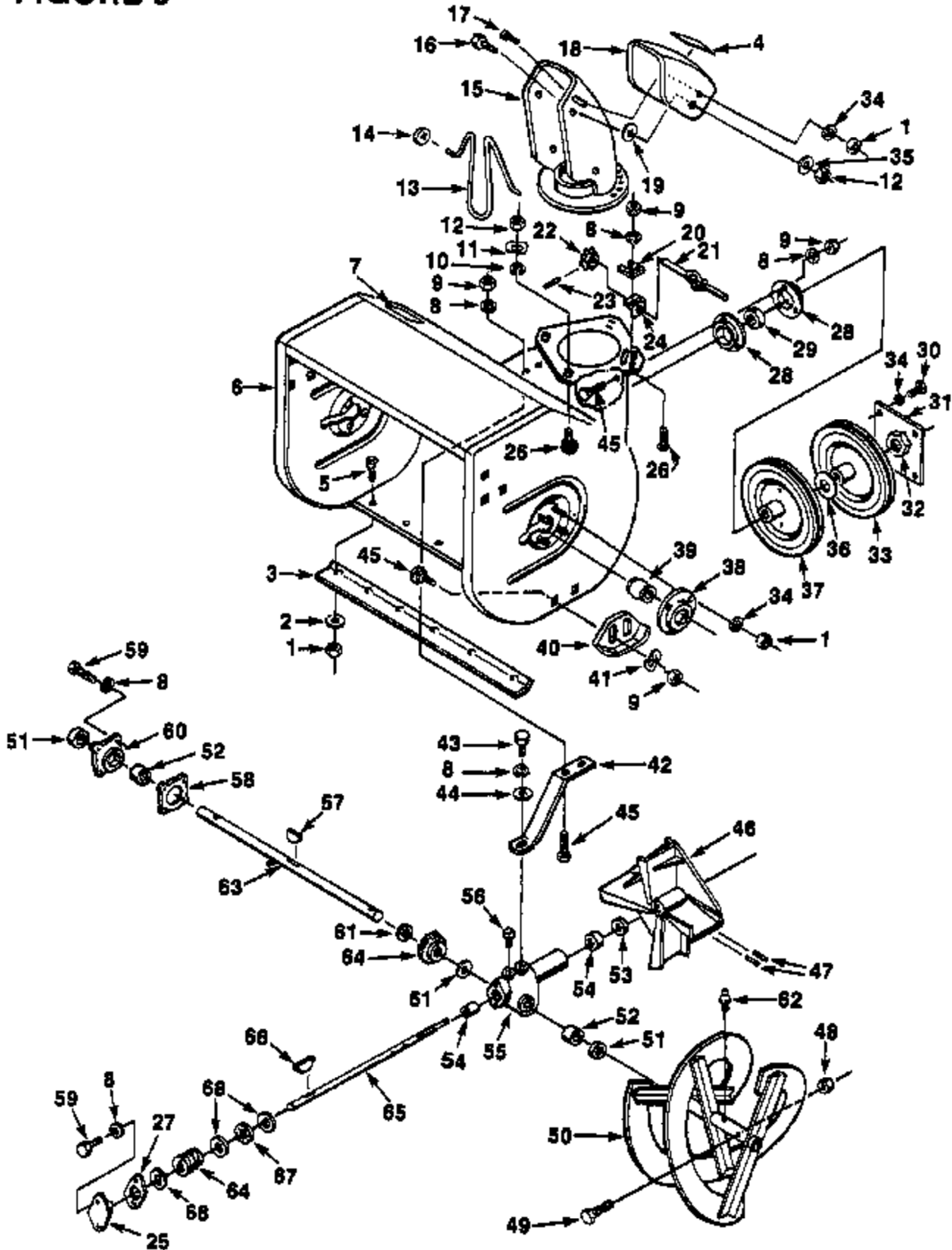


PARTS LIST FIGURE 2

NO.	PART NO.	QTY.	DESCRIPTION
1	JA-47050-3	1	LINK- Connecting (chain)
2	JA-48004-8	1	PIN- Cotter 3/16 x 1"
3	JA-34347-4	1	SHAFT- Disc bracket pivot
4	JA-32893-3	1	PIN- Anti-rotation
5	JA-44613-0	8	WASHER- Lock med. 1/4"
6	JA-44310-2	8	NUT- Hex 1/4-20
7	JA-34347-3	2	WASHER- Thrust
8	JA-34347-0	2	BEARING- Roller
9	JA-31171-0	4	WASHER
10	JA-34346-9	1	CHAIN- Traction
11	JA-15911-6	1	PINION AND SPROCKET ASSEMBLY (Incl. Ref #8)
12	JA-35205-6	1	SPROCKET
13	JA-37546-3	2	RETAINER- Bearing
14	JA-31183-7	2	BEARING- DISC Shaft
15	JA-46030-6	2	PIN- Cotter
16	JA-99093-9	1	DISC BRACKET ASSEMBLY
17	JA-34311-6	2	WASHER- Wheel mounting
18	JA-40010-6	8	SCREW- Hex hd. cap 1/4-20 x 5/8"
19	JA-44476-4	2	NUT- Hex jam C/lock 1/2-13
20	JA-18120-4	1	SLEEVE & BEARING ASSY.
21	JA-45801-7	1	RING- Tru-Aro retaining
22	JA-23900-5	1	HUB- Drive disc
23	JA-99018-2	1	WHEEL- Drive
24	JA-44613-4	5	WASHER- Lock med. 5/16"
25	JA-40018-0	5	SCREW- Hex hd. cap 6/16-18 x 1/2"

NO.	PART NO.	QTY.	DESCRIPTION
26	JA-46002-8	2	PIN- Cotter 1/8 x 1"
27	JA-46300-3	1	KEY- Drive sprocket woodruff 1/8 x 1/2"
28	JA-89141-6	1	PIVOT ASSEMBLY
29	JA-46001-4	2	PIN- Cotter 3/32 x 3/4"
30	JA-46311-3	2	KEY- Morton 3/16 x 3/4"
31	JA-18184-3	1	AXLE & GEAR ASSEMBLY
32	JA-46003-0	2	PIN- Cotter 1/8 x 1 1/4"
33	JA-44007-8	4	BOLT- Shnk carr. 5/16-18 x 3/4"
34	JA-89140-4	1	FRAME ASSEMBLY
35	JA-44613-6	4	WASHER- Lock hvy. 5/16"
36	JA-44310-6	4	NUT- Hex 5/16-18
37	JA-37586-1	2	SPACER
38	JA-36361-3	2	BEARING- Axle
39	JA-89173-6	1	WHEEL & TIRE (L.H.)
	JA-89173-7	1	WHEEL & TIRE (R.H.)
40	JA-16919-3	2	CLUTCH CONTROL LINK ASSEMBLY
41	JA-37502-3	1	SPRING- Clutch return
42	JA-34316-6	2	CAP- Hub
43	JA-44525-7	2	RETAINER TINNEMAN Pivot Shaft
44	JA-35052-1	2	BUSHING Pivot Shaft
46	JA-34579-8	1	PLUG- Tractor frame
46	JA-35804-7	1	SHAFT- Driving disc

FIGURE 3

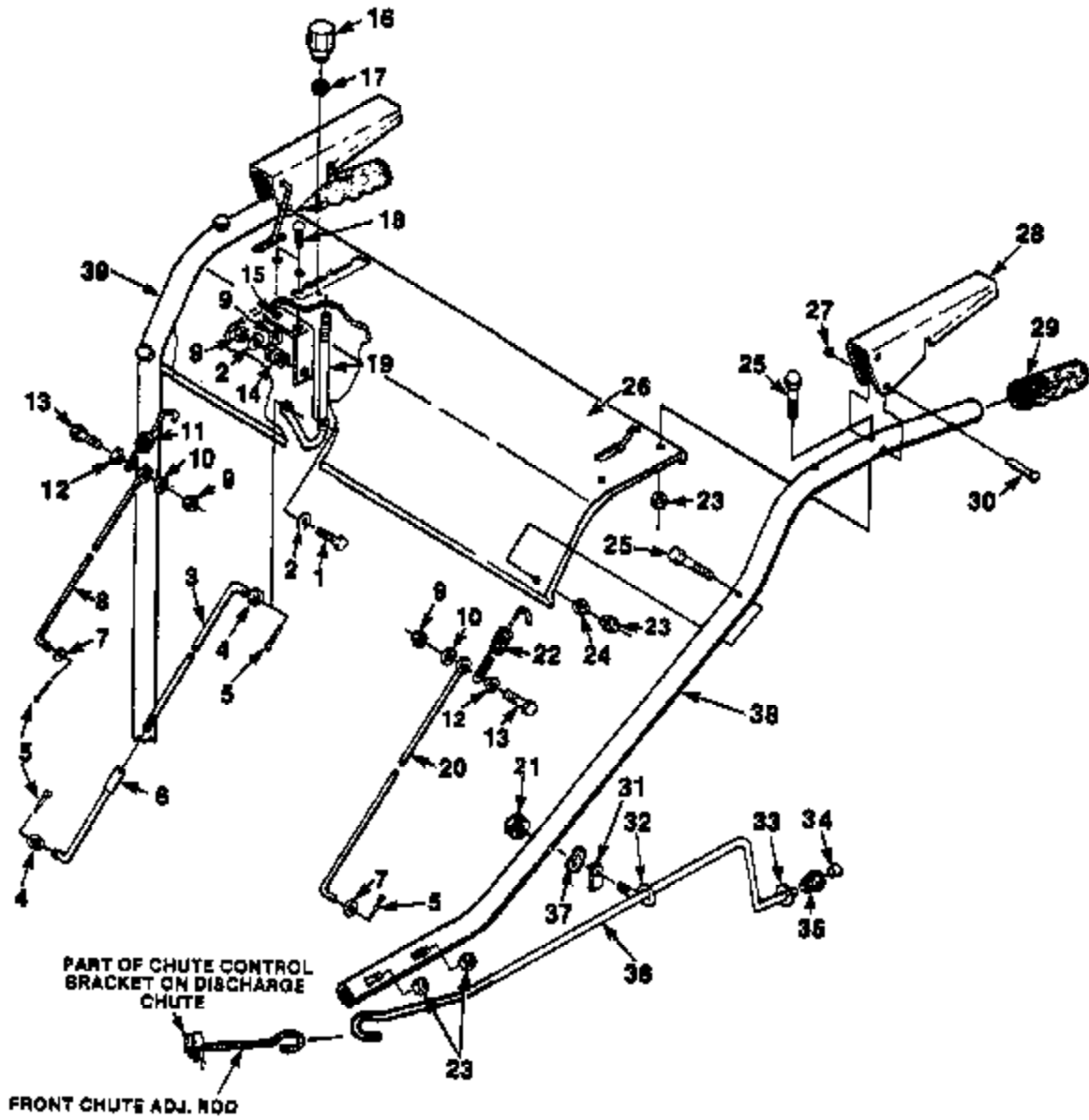


PARTS LIST FIGURE 3

NO.	PART NO.	QTY.	DESCRIPTION
1	JA-4431D-2	15	NUT- Hex 1/4-20
2	JA-45403-1	6	WASHER- Hubbard
3	JA-99137-8	1	BLADE- Scraper (824)
4	JA-99134-2	1	DECAL- Impeller danger
5	JA-40258-0	6	SCREW- Slotted flat hd. 1/4-20 x 5/8"
6	JA-99131-3	1	IMPELLER COLLECTOR HOUSING ASSEMBLY
7	JA-99133-9	1	DECAL- Auger danger
8	JA-44913-4	14	WASHER- Lock med. 5/16"
9	JA-44310-8	11	NUT- hex 5/16-18
10	JA-44613-8	3	WASHER- Lock hvy. 5/16"
11	JA-45403-8	3	WASHER- Shakeproof chute retaining
12	JA-44471-8	6	NUT- Hex c/lock 5/16-18
13	JA-99597-6	1	GUARD- Chute
14	JA-44627-2	2	NUT- Tinnerman ehield retaining
15	JA-99133-8	1	DISCHARGE CHUTE ASSEMBLY
16	JA-40105-0	2	SCREW- Hex hd. 5/16-18 x 5/8"
17	JA-40293-4	1	SCREW- Fill hd. 1/4-20 x 1/2" deflector handle mtg.
18	JA-99132-7	1	DEFLECTOR- Chute
19	JA-34171-7	2	WASHER- Nylon
20	JA-99138-3	1	CLAMP- Chute retaining
21	JA-37587-3	1	ROD- Front chute adj.
22	JA-35207-3	1	SPROCKET- Chute adjusting
23	JA-46136-9	1	PIN- Roll 1/8 x 3/4"
24	JA-99138-5	1	BRACKET- Chute control
25	JA-99142-4	1	COVER- Gear housing end
26	JA-44007-6	5	BOLT- Carr. 5/16-18 x 5/8"
27	JA-34182-1	1	GASKET- End cover
28	JA-34159-2	2	FLANGE
29	JA-34158-1	1	BEARING- Impeller shaft
30	JA-40010-4	4	SCREW- Hex hd. 1/4-20 x 1/2"
31	JA-35834-3	1	PLATE- Traction face
32	JA-44478-4	1	NUT- Hex c/lock 1/2-13
33	JA-18167-6	1	TRACTION PULLEY & BEARING ASSEMBLY
34	JA-44613-0	13	WASHER- Lock hvy. 1/4"
35	JA-45402-4	2	WASHER- Cupped spring
36	JA-35834-8	1	WASHER- Thrust

NO.	PART NO.	QTY.	DESCRIPTION
37	JA-36004-7	1	PULLEY- Driven
38	JA-35204-2	2	RETAINER- Collector bushing
39	JA-35204-1	2	BUSHING- Collector
40	JA-99138-1	2	SKID- Collector
41	JA-45402-7	4	WASHER- Shakeproof 5/16"
42	JA-99141-7	1	SUPPORT- Gear box
43	JA-40018-8	1	SCREW- Hex hd. cap 5/16-18 x 7/8"
44	JA-45300-9	1	WASHER- SAE flat 5/16"
45	JA-44007-8	9	BOLT- Shnk. carr. 6/16-18 x 3/4"
46	JA-99287-7	1	IMPELLER ASSEMBLY
47	JA-46140-8	2	PIN- Roll 1/4 x 1 1/2"
48	JA-44470-8	2	NUT- Hex GRIPCO C/lock 1/4-20
49	JA-34244-9	2	BOLT- Collector shear
50	JA-99141-9	1	COLLECTOR ASSEMBLY R.H. (824)
	JA-99142-1	1	COLLECTOR ASSEMBLY L.H. (824)
51	JA-34158-1	2	SEAL- Collector shaft
52	JA-34158-0	2	BEARING- Collector shaft
53	JA-32129-4	1	SEAL- Impeller shaft
54	JA-32129-3	2	BEARING- Impeller shaft
55	JA-99142-2	1	GEAR HOUSING ASSEMBLY (Incl. #51 & #52)
56	JA-47220-3	1	PLUG- NPT sq. hd. pipe 1/4"
57	JA-46302-1	1	KEY- Woodruff #A 1/4 x 7/8"
58	JA-34181-0	1	GASKET- Gear housing cover
59	JA-40018-4	6	SCREW- Hex hd. cap 5/16-18 x 3/4"
60	JA-99142-3	1	GEAR HOUSING COVER (Incl. #51 & #52)
61	JA-34180-9	2	WASHER- Thrust
62	JA-47122-5	2	GREASE FITTING
63	JA-99132-6	1	SHAFT COLLECTOR
64	JA-50132-3	1	SET- Worm & Worm Wheel
65	JA-33629-9	1	SHAFT- Impeller
66	JA-46311-3	1	KEY- Morton HP-908 3/16 x 3/4"
67	JA-34158-4	1	BEARING- Thrust
68	JA-34158-3	3	RACE- Thrust bearing

FIGURE 4



PARTS LIST FIGURE 4

NO.	PART NO.	QTY.	DESCRIPTION
1	JA-40012-0	1	SCREW- Speed control mtg. 1/4-20 x 2 1/2"
2	JA-35828-2	2	WASHER- Speed lever mtg.
3	JA-37502-2	1	ROD- Speed control (upper)
4	JA-45200-4	2	WASHER- Speed control mtg. 1/4"
5	JA-46001-0	4	PIN- Cotter 3/32 x 1/2"
6	JA-18120-5	1	ROD LOWER ASSEMBLY- Speed control
7	JA-46200-2	2	WASHER- Clutch rod mtg. #10 flat
8	JA-37501-8	1	ROD- Traction clutch
9	JA-44470-8	5	NUT- Centerlock clutch rod jam 1/4-20
10	JA-45505-0	2	WASHER- SAE flat 1/4"
11	JA-37601-1	1	SPRING- Extension
12	JA-34454-4	2	WASHER- Clutch rod joining
13	JA-40120-4	2	SCREW- Hex hd. clutch rod joining 1/4-20 x 7/8"
14	JA-35185-6	1	SPRING- Compression
15	JA-99139-1	1	BRACKET- Speed control mtg.
16	JA-35163-7	1	KNOB- Speed control
17	JA-44381-0	1	NUT- Hex jam 3/8-18"
18	JA-40401-6	2	SCREW- Truss hd. mach. 1/4-20 x 5/8"
19	JA-33916-7	1	LEVER- Speed control
20	JA-37501-2	1	ROD- Impeller-collector clutch
21	JA-44571-1	1	NUT- Hex NY lock chufe adj. 1/4-20
22	JA-37501-0	1	SPRING- Extension
23	JA-44471-8	10	NUT- Hex c/lock handle & panel mtg. 5/16-18
24	JA-45300-8	2	WASHER- Flat handle and panel mtg. 5/16"
25	JA-86134-6	6	SCREW- Hex hd. cap Handle & Panel mtg. 5/16-18 x 1 1/2"
26	JA-89173-6	1	HANDLE PANEL (624)
27	JA-44551-6	2	NUT- Pal clutch grip mtg.
28	JA-99138-6	2	GRIP- Clutch control
29	JA-35807-2	2	GRIP- Handle
30	JA-48484-6	2	RIVET- Button hd. clutch grip mtg. 1/4 x 1 1/2"
31	JA-36463-1	1	SPRING- Clutch rod
32	JA-96216-7	1	EYEBOLT- Chute Adj.
33	JA-45505-1	1	WASHER
34	JA-44626-8	1	NUT- Speed tinnerman
35	JA-37501-7	1	KNOB- Chute control
36	JA-37567-2	1	ROD- Chute adjusting
37	JA-34454-4	1	WASHER- Curved
38	JA-86132-9	1	HANDLE ASSY. (L.H.)
39	JA-99133-3	1	HANDLE ASSY. (R.H.)

ACCESSORIES

JA-58955-5	Drift Cutter
JA-58540-5	Tire Chain
JA-99250-4	Electric Start Kit (824)
JA-99250-3	Electric Start Kit (824)