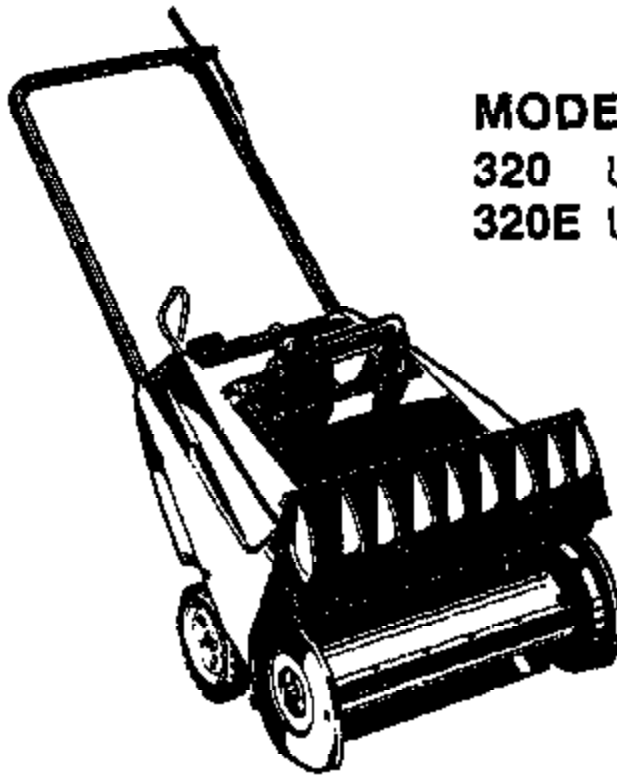


HOMELITE®

**PARTS
LIST**

**320
SNOW THROWER**



MODELS:

320 UT-35011-B

320E UT-35012-B

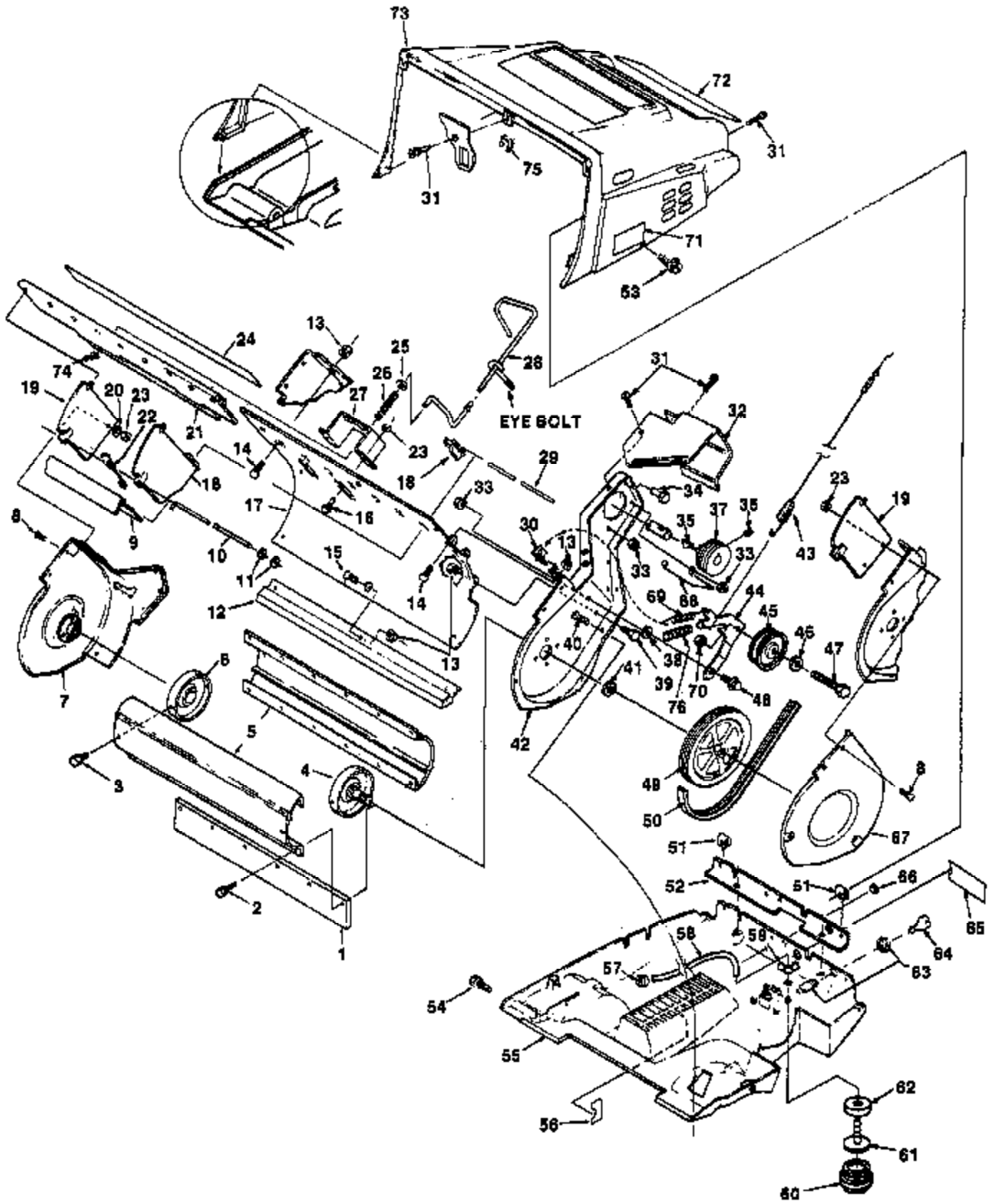
⚠ WARNING

IF INCORRECTLY USED THIS MACHINE CAN CAUSE SEVERE INJURY. THOSE WHO USE AND MAINTAIN THE MACHINE SHOULD BE TRAINED IN ITS PROPER USE, WARNED OF ITS DANGERS, AND SHOULD READ THE ENTIRE MANUAL BEFORE ATTEMPTING TO SET UP, OPERATE, ADJUST OR SERVICE THE MACHINE.

Printed in U.S.A.
Price .35¢

PART NO. JA-99256-4

FIGURE 1

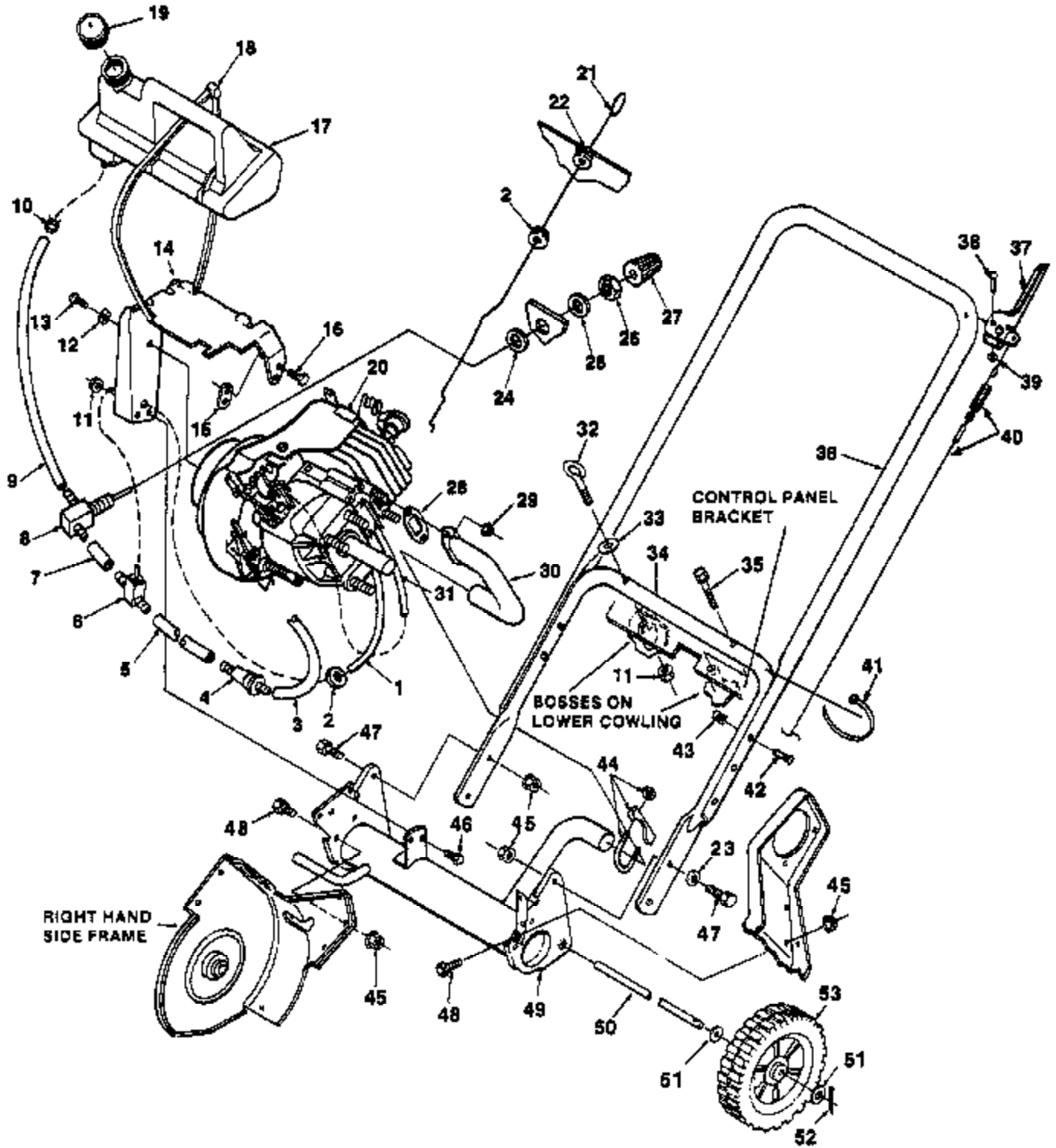


PARTS LIST - FIGURE 1

REF. NO.	PART NO.	QTY.	DESCRIPTION
1	JA-99104-5	1	PAODLE-Impeller (set of 2)
2	80854	12	SCREW-12-24 x 1"
3	JA-37597-8	8	SCREW- 1/4-14 x .44
4	JA-99111-8	1	DRIVESHAFT & PLATE KIT
5	JA-99111-7	1	DRUM-Impeller (includes 2 halves)
6	JA-99111-5	1	END PLATE & PIN ASSEMBLY
7	JA-99165-3	1	FRAME- R.H. Side 990829
8	JA-40391-2	6	SCREW
8	JA-39243-9	1	GUIDE
10	JA-37548-6	1	ROD- Retaining
11	JA-37552-9	2	NUT
12	JA-99129-5	1	BLADE-Scraper
13	JA-44676-8	8	NUT- Flange 1/4-20
14	JA-44003-8	3	BOLT- 1/4-20
15	JA-44180-6	3	BOLT- 1/4 x 3/4
16	JA-40374-8	2	SCREW- 10-24 x 5/8
17	JA-39732-5	1	HOUSING- Impeller
18	JA-33931-5	7	DEFLECTOR-Vane
18	JA-33930-7	2	VANE-End
20	JA-99079-8	4	WASHER-Retainer
21	JA-99012-2	1	PANEL
22	JA-37548-4	1	SPRING-R.H.
23	JA-37550-8	8	NUT-Stop
24	JA-99221-0	1	DECAL-Warning
25	JA-45300-9	1	WASHER
26	JA-35142-7	1	SPRING
27	JA-33939-9	1	BRACKET
28	JA-33932-3	1	ROD-Chute control
29	JA-37543-0	1	ROD-Vane
30	JA-37594-2	1	CLIP-Spring
31	JA-37550-8	6	SCREW
32	JA-99160-8	1	SHIELD- Belt
33	JA-44577-5	3	NUT- Flange 5/16-18
34	JA-99075-8	1	NUT
35	JA-46310-7	1	KEY- 5/8 x 5/32
36	JA-41551-1	1	SCREW-Set
37	JA-99081-4	1	PULLEY-Drive

REF. NO.	PART NO.	QTY.	DESCRIPTION
38	JA-31381-0	1	WASHER
39	JA-40010-4	1	SCREW- 1/4-20 x 1/2
40	JA-40888-1	1	SCREW- 1/4-10 x 5/8
41	JA-37543-9	1	SPACER
42	JA-99058-3	1	FRAME-Side (L.H.)
43	JA-99167-1	1	CABLE & SPRING
44	JA-99162-2	1	ARM-Idler
46	JA-37543-4	1	PULLEY
46	JA-45301-1	1	WASHER
47	JA-40026-8	1	SCREW- 3/8-16 x 1 1/2
48	JA-37543-1	1	BOLT
48	JA-99081-5	1	PULLEY-Driven
50	JA-99081-2	1	BELT-Drive
51	JA-44521-0	8	NUT-Speed
52	JA-99033-5	1	BRACKET-Control panel
53	JA-37560-4	4	CLIP
54	JA-40990-8	1	SCREW- 1/4-20 x 5/8
56	JA-99112-8	1	COWLING- Lower (Incl. 66 & 68)
56	JA-99101-1	1	DECAL-Fuel valve
57	JA-99072-2	1	GROMMET
58	JA-99080-3	1	FUEL LINE (Cut to 14 3/4")
59	JA-44561-2	1	WING NUT- 1/4-20
60	JA-99075-5	1	BULB-Fuel primer
61	JA-99075-4	1	FITTING- Fuel primer
62	JA-99075-6	1	CUP- Fuel primer
63	JA-13084-1	1	SWITCH-Ignition
64	JA-34906-0	1	KEY- Ignition (set of 2)
66	JA-99167-7	1	DECAL-Electro start
66	JA-47314-0	1	EYELET
67	JA-99172-7	1	GUARD- Belt
68	JA-99188-8	1	GUIDE-Belt
69	JA-99144-2	1	SPRING
70	JA-44485-0	1	NUT- Hex lock 3/8-18
71	JA-33946-7	1	DECAL- Heat
72	JA-99167-6	1	DECAL-Console
73	JA-99167-8	1	DECAL-320
74	JA-99173-1	1	COWLING-Upper (Incl. 71,72, & 73)
75	JA-99120-5	1	PUSH NUT

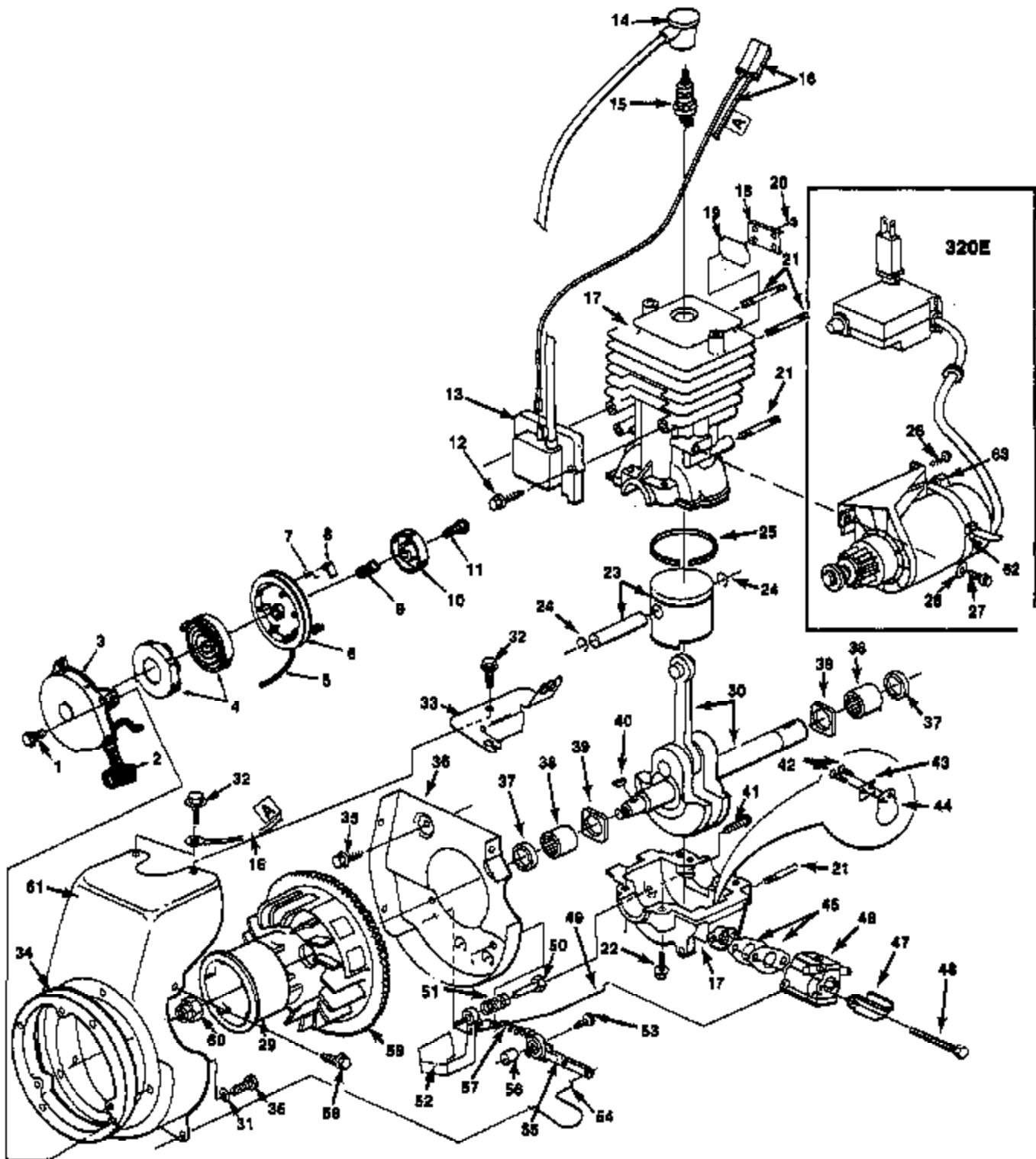
FIGURE 2



PARTS LIST - FIGURE 2

REF. NO.	PART NO.	QTY.	DESCRIPTION	REF. NO.	PART NO.	QTY.	DESCRIPTION
1	JA-99080-3	1	FUEL LINE 17"	28	JA-99449-0	1	GASKET-Manifold
2	JA-99072-2	2	GROMMET	29	JA-44480-8	2	NUT-10-32
3	JA-99080-7	1	FUEL LINE- (cut to 8")	30	JA-99084-0	1	MANIFOLD-Exhaust
4	JA-99294-0	1	FILTER-Fuel	31	JA-99080-3	1	FUEL LINE (cut to 10 1/4")
6	JA-99080-7	1	FUEL LINE (13 1/2")	32	JA-35216-7	1	EYEBOLT
6	JA-99080-1	1	FITTING-Fuel	33	JA-45200-4	1	WASHER
7	JA-99080-7	1	FUEL LINE (cut to 1 1/2")	34	JA-33830-9	1	HANDLE-Lower
8	JA-37599-5	1	VALVE	35	JA-40871-8	1	SCREW
9	JA-99080-7	1	FUEL LINE (cut to 7 1/4)	35	JA-98172-3	1	HANDLE-Upper
10	JA-47280-1	1	CLAMP	37	JA-99172-4	1	LEVER-Operating
11	JA-44576-6	3	NUT-Flange 1/4-20	38	JA-46860-6	1	PIN
12	JA-45402-3	1	WASHER-Shakeproof	39	JA-44551-6	1	PAL NUT
13	JA-40010-2	1	BOLT- 1/4-20 x 3/8	40	JA-99167-1	1	CABLE & SPRING
14	JA-39737-0	1	BRACKET-Fuel tank	41	JA-99163-6	1	TIE-Cable
15	JA-37599-3	1	SPACER	42	JA-37551-0	4	SCREW
16	JA-40376-8	2	SCREW-10-24 x 3/4	43	JA-44525-4	4	RETAINER-Nut
17	JA-39736-9	1	FUEL TANK	44	JA-99079-9	1	CLAMP-Muffler
18	JA-89111-8	2	STRAP-Tie	45	JA-44677-5	12	NUT-Flange 5/16-18
19	JA-18157-2	1	CAP-Tank	46	JA-40010-4	2	SCREW-1/4-20 x 1/2
20	JA-98159-9	1	SHORT BLOCK	47	JA-40018-4	4	SCREW-5/16-18 x 3/4
21	JA-99081-9	1	ROD-Choke	48	JA-40018-2	4	SCREW-Cap
22	JA-99120-6	1	GROMMET	49	JA-99079-1	1	MUFFLER
23	JA-46300-9	2	WASHER	50	JA-37542-8	1	AXLE-Shaft
24	JA-45301-3	1	WASHER-Flat	51	JA-45301-1	4	WASHER
25	JA-44721-6	1	WASHER-Lock 7/16	52	JA-48001-4	2	PIN-Cotter
26	JA-44381-6	1	NUT-R.H. 7/16-20	53	JA-12408-0	2	WHEEL & TIRE
27	JA-37599-4	1	KNOB-Shut off				

FIGURE 3



PARTS LIST - FIGURE 3

REF. NO.	PART NO.	QTY.	DESCRIPTION
	JA-51883-5	1	REWIND STARTER ASSEMBLY- (Complete) (Incl. 2 thru 11)
1	JA-40990-7	4	SCREW
2	JA-54600-3	1	HANDLE ASSEMBLY
3	JA-51983-3	1	HOUSING ASSEMBLY
4	JA-60079-0	1	SPRING & KEEPER ASSEMBLY
5	JA-56984-5	1	ROPE- 75"
6	JA-53503-1	1	PULLEY
7	JA-54589-8	1	SPRING-Dog
8	JA-31386-3	1	DOG
9	JA-54600-1	1	SPRING-Brake
10	JA-54600-2	1	RETAINER
11	JA-54600-0	1	SCREW
12	JA-41690-8	2	SCREW-Thd. rolling
13	A-97557	1	MODULE-Ignition
14	A-38066	1	COVER-Spark
15	96455	1	SPARK PLUG (GJB)
16	A-95377	1	LEAD-Electrical
17	A-95542-A	1	CYLINDER & CRANKCASE (Incl. 18,19,20,21, & 22)
18	96220	1	COVER-Cylinder
19	96221	1	GASKET
20	96922	4	SCREW-Thd. rolling
21	97375	8	STUD-Thd. rolling
22	88071	4	SCREW-Sems hex hd
23	A-95598	1	PISTON & PIN ASSEMBLY (Incl. 24 & 25)
24	64742	2	RING-Pin retaining
25	95512	1	PISTON RING
26	JA-40375-8	2	SCREW- 10-24 x 3/4
27	JA-99076-4	1	SCREW
28	JA-99076-3	1	WASHER
29	JA-99079-4	1	HUB- Starter
30	A-97725-A	1	CRANKSHAFT ASSEMBLY
31	84003	3	WASHER-Flat

REF. NO.	PART NO.	QTY.	DESCRIPTION
32	82456	2	SCREW-Thd. forming
33	97830	1	BRACKET
34	JA-99075-9	1	ADAPTOR
35	82459	7	SCREW-Thd. forming
36	95500-1	1	PLATE-Fan housing
37	96510	2	SEAL-Shaft
38	78187-8	1	BEARING-Needle
39	95509-A	2	WASHER-Thrust
40	76078	1	KEY-Woodruff
41	86086	1	SCREW
42	82498	2	SCREW
43	96694	1	STOP- Reed
44	58775	1	REED VALVE
45	95580-B	2	SPACER-Carburetor
46	A-95543-B	1	CARBURETOR Walbro (HDC-74)
	98045	1	REPAIR KIT
	98631	1	DIAPHRAGM KIT
47	96561	1	SHIELD-Carburetor
48	82437	2	SCREW-Thd. forming
49	96538-A	1	THROTTLE ROD
50	97468-1	1	PIN-Pivot
51	97031-A	1	SPRING
52	96007	1	VANE-Governor
53	82414	1	SCREW-Tap pan head
54	96664	1	SPRING-Torsion
55	96623	1	LEVER-Throttle
56	95507	1	SPACER-Gov. vane
57	95513	1	SPRING-Extension
58	82404	4	SCREW-Tap hex hd.
59	95519-A	1	ROTOR
60	81104	1	NUT- 7/16-20 hex
61	95501-1	1	HOUSING-Fan
62	JA-99111-8	1	STRAP-Tie
63	JA-99075-8	1	NUT

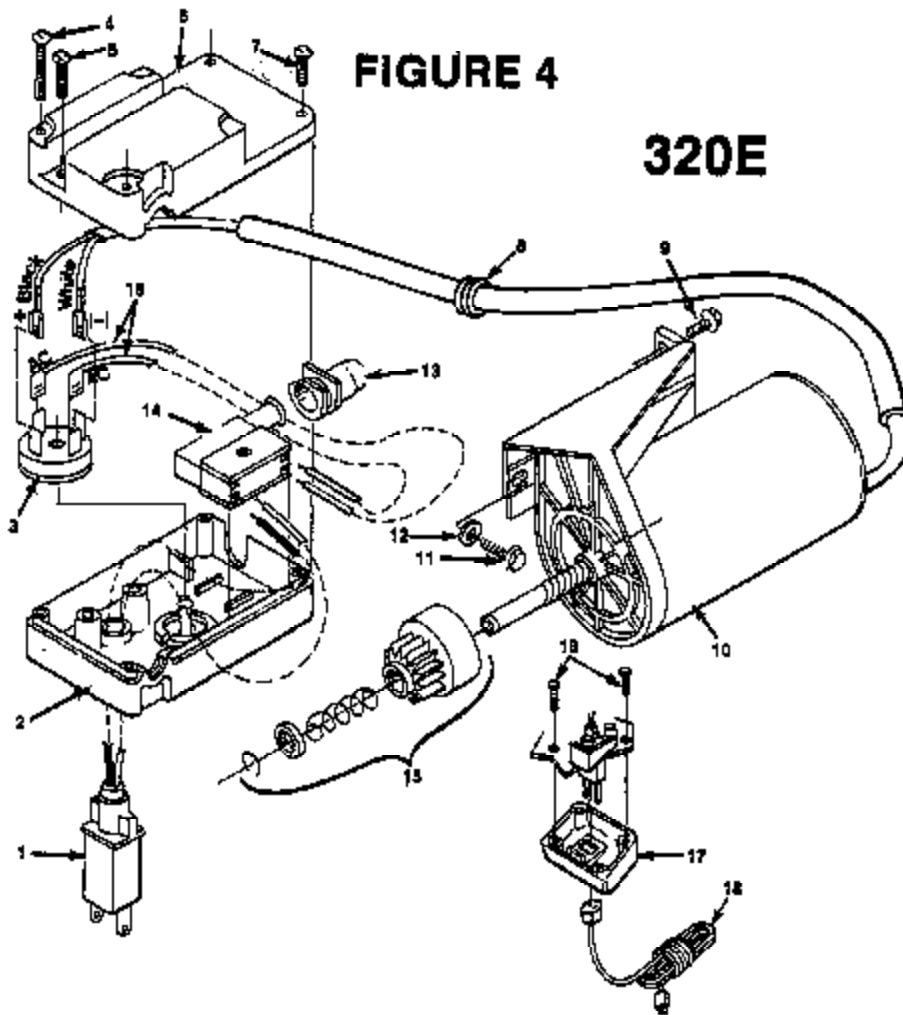


FIGURE 4

320E

REF. NO.	PART NO.	QTY.	DESCRIPTION
1	95548	1	PLUG-Electrical
2	95544	1	HOUSING-Electrical start
3	95575	1	RECTIFIER
4	82400	1	SCREW-Thd. forming
5	JA-41690-3	2	SCREW-Thd. forming
6	95545	1	COVER-Electric start
7	82378	2	SCREW-Thd. forming
8	97831	1	GROMMET
9	JA-40975-8	1	SCREW-Thd. forming 10-24 x 3/4
10	A-95585	1	MOTOR-Pinion and plate (incl. #8)

REF. NO.	PART NO.	QTY.	DESCRIPTION
11	JA-98078-4	1	SCREW-Thd. forming 12-24 x 6/8
12	JA-98078-3	1	WASHER
13	95549	1	BOOT-Switch
14	95547	1	SWITCH-Electric starter
15	A-96414	1	PINION
16	JA-37560-8	2	SCREW
17	JA-39249-5	1	COVER-Starter
18	JA-33945-9	1	CORD BET
19	A-96678-A	2	LEAD- Electrical

HOMELITE DIVISION OF TEXTRON INC.

P.O. Box 7047
 14401 Carowinds Boulevard
 Charlotte, N.C. 28217

Overseas Offices

Homelite Division of Textron
 Korenenastraat 1
 2153 BM Nieuw Vennep
 The Netherlands

Homelite Division of Textron
 Pacific Limited
 P.O. Box 209
 Blackburn, 3130
 Victoria, Australia

HOMELITE TEXTRON

Homelite Division of Textron Inc.

D6871Y