

PARTS LIST

IMPERIAL SNOW THROWER

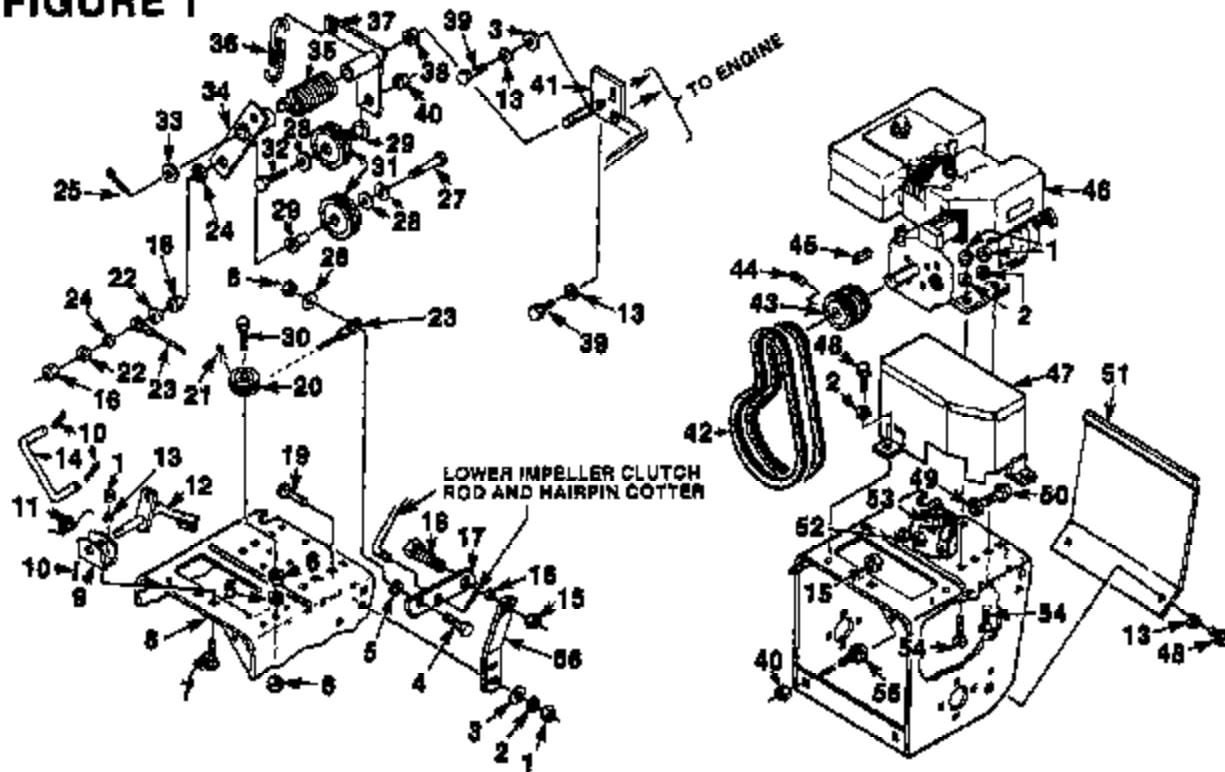
MODELS: 626
UT-35004-A
826
UT-35005-A
830
UT-35006-A



⚠ WARNING

IF INCORRECTLY USED THIS MACHINE CAN CAUSE SEVERE INJURY. THOSE WHO USE AND MAINTAIN THE MACHINE SHOULD BE TRAINED IN ITS PROPER USE, WARNED OF ITS DANGERS, AND SHOULD READ THE ENTIRE MANUAL BEFORE ATTEMPTING TO SET UP, OPERATE, ADJUST OR SERVICE THE MACHINE.

FIGURE 1

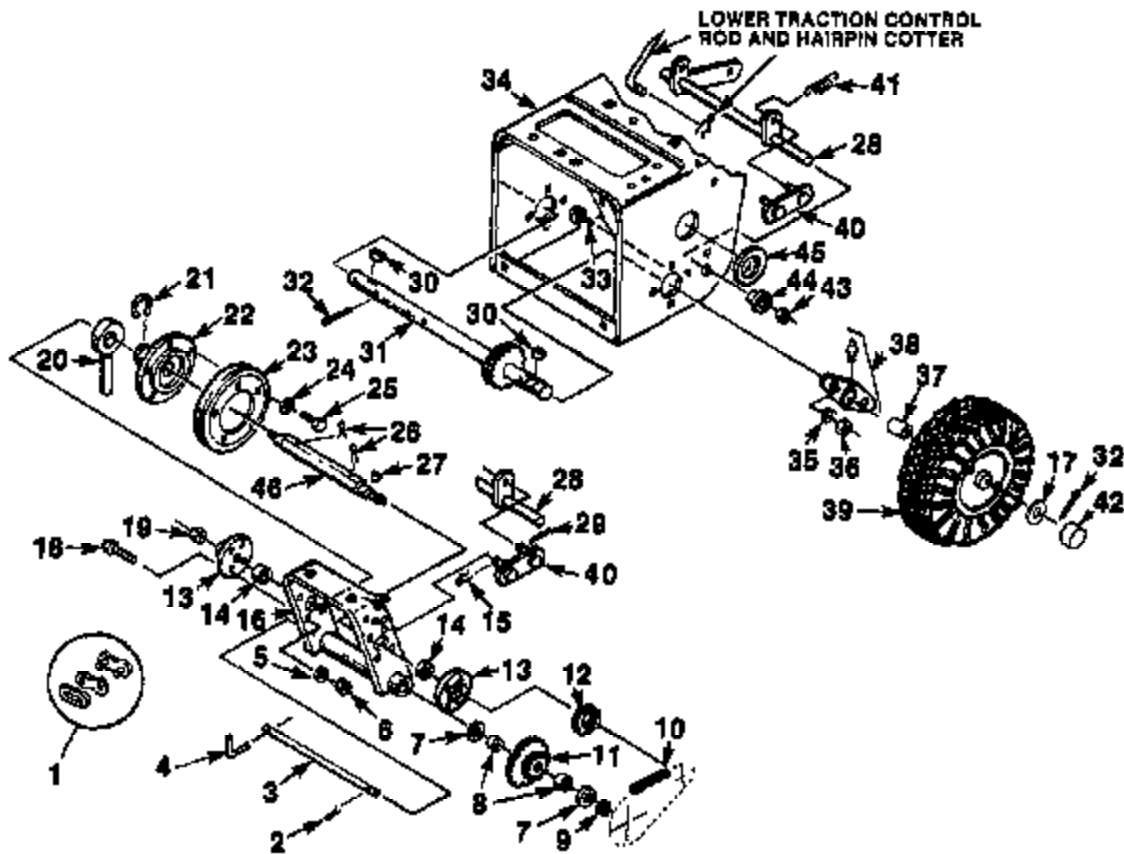


PARTS LIST FIGURE 1

NO.	PART NO.	QTY.	DESCRIPTION
1	JA-44310-6	8	NUT- 5/16-18 hex pivot mtg
2	JA-44813-8	8	WASHER- Lock 5/16 pivot mtg
3	JA-46300-8	3	WASHER- 5/16 flat pivot mtg
4	JA-40010-6	1	SCREW- 1/4-20 x 5/8 hex hd
5	JA-44813-0	1	WASHER- Lock 1/4 tivty
6	JA-44310-2	3	NUT- 1/4-20 hex pulley mtg
7	JA-44187-8	2	BOLT- 5/16-18 x 5/8 carriage
8	JA-12412-3	1	TRACTOR FRAME ASSEMBLY
9	JA-35457-4	1	BRACKET- Brake rod support
10	JA-46001-4	3	PIN- 3/32 x 3/4 cotter
11	JA-35834-0	1	SPRING- Brake rod torsion
12	JA-18157-4	1	BRAKE ARM ASSEMBLY
13	JA-44813-4	8	WASHER- Lock 5/16 med
14	JA-35834-1	1	LINK- Brake
15	JA-44471-8	2	NUT- 3/16 - 18 hex G/lock
16	JA-44381-0	2	NUT- 3/8-18 hex jam
17	JA-37584-8	1	BELL CRANK ASSEMBLY
18	JA-37543-1	1	BOLT- Shoulder washer face
19	JA-44007-8	2	BOLT- 5/16-18 x 3/4 carr pivot mtg
20	JA-35817-4	1	PULLEY- Control cable
21	JA-46000-2	1	PIN- Cotter 1/16 x 2
22	JA-30878-6	2	WASHER- Flat
23	JA-35833-1	1	CABLE- Impeller clutch
24	JA-44814-0	2	WASHER- Lock 3/8 med
25	JA-46002-8	1	PIN- Cotter 1/8 x 1 ext prong
26	JA-45302-3	1	WASHER- 1/4 flat
27	JA-40027-0	1	SCREW- 3/8-16 x 2 hex hd
28	JA-46901-1	3	WASHER- 3/8 SAE
29	JA-34488-2	2	SPACER
30	JA-40011-6	1	SCREW- 1/4-20 x 1/2 hex hd
31	JA-34443-8	2	PULLEY- Idler
32	JA-40026-8	1	SCREW- 3/8-18 x 1 1/2 hex hd

NO.	PART NO.	QTY.	DESCRIPTION
33	JA-45301-7	1	WASHER- 1/2 flat idler cam retaining
34	JA-18157-3	1	IDLER ARM ASSEMBLY
35	JA-35833-5	1	SPRING- Brake
36	JA-35833-4	1	SPRING- Traction idler
37	JA-18157-2	1	TRACTION IDLER ARM
38	JA-35814-5	1	SPACER- idler
39	JA-40022-2	2	SCREW- 5/16-24 x 3/4 hex hd cap
40	JA-44478-2	4	NUT- 3/8-18 hex lock
41	JA-13081-4	1	IDLER PLATE ASSEMBLY
42	JA-38645-3	2	BELT- Drive
43	JA-39004-8	1	PULLEY- Engine
44	JA-41552-3	1	SCREW- 6/16-18 x 1/2 soc hd
45	JA-30898-8	1	KEY- Engine pulley mtg
46	JA-89055-5	1	ENGINE- 8 H P (826)
	JA-89055-4	1	ENGINE- 8 H P (826 & 830)
47	JA-13049-5	1	BELT SHIELD ASSY
48	JA-40885-8	2	SCREW- 5/16-18 x 5/8 hex type T
49	JA-45200-6	1	WASHER- Flat shift lever mtg
50	JA-36824-7	1	BOLT- Shift lever mtg
51	JA-32902-1	1	COVER- Back
52	JA-45400-8	1	WASHER- Spring shift lever mtg
53	JA-33815-9	1	LEVER- Shift
54	JA-44008-8	4	BOLT- 5/16-18 x 1 1/2 shnk carr (826 & 830)
	JA-44007-8	4	BOLT- 5/16-18 x 3/4 shnk carr (826)
55	JA-44182-4	3	BOLT- 3/8-18 N reg carr
56	JA-37586-0	1	BRACKET- Belt crank pivot

FIGURE 2

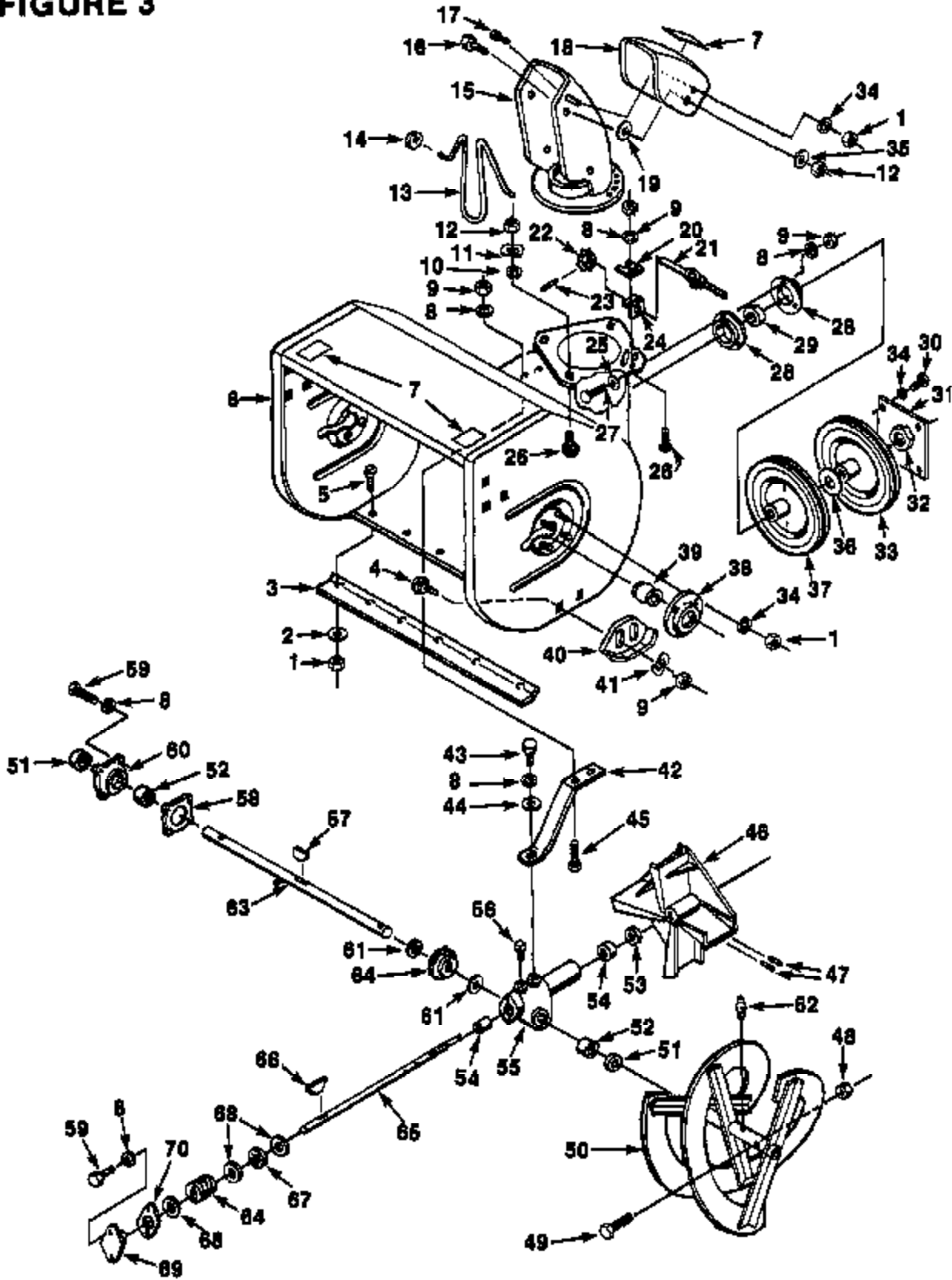


PARTS LIST FIGURE 2

NO.	PART NO.	QTY.	DESCRIPTION
1	JA-47050-3	1	SERVICE LINK
2	JA-46004-6	1	PIN- 3/16 x 1 cotter
3	JA-34347-4	1	SHAFT- Disc bracket pivot
4	JA-32893-3	1	PIN- Anti-rotation
5	JA-44813-0	8	WASHER- Lock 1/4 med
6	JA-44310-2	8	NUT- 1/4-20 hex
7	JA-34347-3	2	WASHER- Thrust
8	JA-34347-0	2	BEARING- Roller
9	JA-31171-0	A/R	WASHER
10	JA-34346-9	1	CHAIN- Traction
11	JA-16911-5	1	PINION AND SPROCKET ASSEMBLY (incl Ref #8)
12	JA-35205-8	1	SPROCKET
13	JA-37549-3	2	RETAINER- Bearing
14	JA-31153-7	2	BEARING- DISC Shaft
15	JA-46030-6	2	PIN- cotter
16	JA-12979-1	1	DISC BRACKET ASSEMBLY
17	JA-30876-6	2	WASHER- Wheel mounting
18	JA-40010-6	6	SCREW- 1/4-20 x 5/8 hex hd cap
19	JA-44478-4	2	NUT- 1/2-13 hex jam O/lock
20	JA-18120-4	1	SLEEVE & BEARING ASSY
21	JA-45901-7	1	RING- Tru- Arc retaining
22	JA-23900-3	1	HUB- Drive disc
23	JA-99015-2	1	WHEEL- Drive
24	JA-44613-4	5	WASHER- Lock 5/16 med

NO.	PART NO.	QTY.	DESCRIPTION
25	JA-40018-0	6	SCREW- 5/16-18 x 1/2 hex hd cap
26	JA-46002-8	2	PIN- 1/8 x 1
27	JA-48300-3	1	KEY- 1/8 x 1/2 woodruff, drive sprocket
28	JA-14184-8	1	PIVOT ASSEMBLY
29	JA-46001-4	2	PIN- Cotter 3/32 x 3/4
30	JA-46311-3	2	KEY- 3/16 x 3/4 morton
31	JA-18184-3	1	AXLE & GEAR ASSEMBLY
32	JA-46003-0	2	PIN- 1/8 x 1 1/4 cotter
33	JA-44007-8	4	BOLT- 5/16-18 x 3/4 shnk carr
34	JA-12412-3	1	TRACTOR FRAME ASSEMBLY
35	JA-44613-8	4	WASHER- Lock, 5/16 hvy
36	JA-44810-8	4	NUT- 5/16-18 hex
37	JA-37506-1	2	SPACER
38	JA-35381-8	2	BEARING- Axle
39	JA-14213-8	2	TIRE, RIM AND HUB ASSY
40	JA-16919-3	2	CLUTCH CONTROL LINK ASSEMBLY
41	JA-37502-5	1	SPRING- Clutch return
42	JA-34316-6	2	CAP- Hub
43	JA-44925-7	2	RETAINER TINNERMAN, Pivot shaft
44	JA-36052-1	2	BUSHING- Pivot shaft
45	JA-34678-6	1	PLUG- Tractor frame
46	JA-35804-7	1	SHAFT- Driving disc

FIGURE 3



PARTS LIST FIGURE 3

NO.	PART NO.	QTY.	DESCRIPTION
1	JA-44310-2	15	NUT-1/4-20 hex
2	JA-45403-1	8	WASHER- Hubbard
3	JA-33515-4	1	BLADE- Scraper (826 & 826)
	JA-33544-0	1	BLADE- Scraper (830)
4	JA-44187-8	4	BOLT- 5/16-18 x 5/8 reg carr
5	JA-40258-0	8	SCREW- 1/4-20 x 5/8 slotted flat hd
6	JA-11775-2	1	IMPELLER COLLECTOR HOUSING ASSEMBLY (826 & 826)
	JA-88008-2	1	IMPELLER COLLECTOR HOUSING ASSEMBLY (830)
7	JA-35813-1	3	DECAL- Warning
8	JA-44813-4	14	WASHER- Lock 5/16 med
9	JA-44310-8	9	NUT- 5/16-18 hex
10	JA-44813-8	3	WASHER- Lock 5/16 hvy
11	JA-46408-8	3	WASHER- Shakeproof chute retaining
12	JA-44471-8	5	NUT- 5/16-18 hex c/lock
13	JA-33667-8	1	GUARD- Chute
14	JA-44627-2	2	NUT- Tinnerman shield retaining
15	JA-13031-2	1	DISCHARGE CHUTE ASSEMBLY
16	JA-40105-0	2	SCREW- 5/16-18 x 5/8 hex hd
17	JA-40283-4	1	SCREW- 1/4-20 x 1/2 flat hd deflector handle mtg
18	JA-35758-0	1	DEFLECTOR- Chute
19	JA-34171-7	2	WASHER- Nylon
20	JA-37500-9	1	BRACKET- Chute retaining
21	JA-37587-3	1	ROD- Front chute adj
22	JA-35207-3	1	SPROCKET- Chute adjusting
23	JA-48135-8	1	PIN- 1/8 x 3/4 roll
24	JA-37501-4	1	CONTROL- Bracket chute
25	JA-45200-8	1	WASHER- 3/8 flat
26	JA-44007-8	5	BOLT- 5/16-18 x 5/8 carr
27	JA-44182-4	3	BOLT- 3/8-16 x 1 shnk carr
28	JA-34158-2	2	FLANGE
29	JA-34166-1	1	BEARING- Impeller shaft
30	JA-40010-4	4	SCREW- 1/4-20 x 1/2 hex hd
31	JA-35834-3	1	PLATE- Traction face
32	JA-44478-4	1	NUT- 1/2-13 hex c/lock
33	JA-16157-6	1	TRACTION, PULLEY & BEARING ASSEMBLY
34	JA-44818-0	13	WASHER- Lock 1/4 hvy
35	JA-43402-4	2	WASHER- Cupped spring
36	JA-85834-8	1	WASHER- Thrust
37	JA-39004-7	1	PULLEY- Driven
38	JA-35204-2	2	RETAINER- Collector bushing
39	JA-35204-1	2	BUSHING- Collector
40	JA-34159-8	2	SKID- Collector
41	JA-46402-7	4	WASHER- 5/16 shakeproof
42	JA-34180-4	1	SUPPORT- Gear box
43	JA-40018-6	1	SCREW- 5/16-18 x 7/8 hex hd cap
44	JA-45800-9	1	WASHER- 5/16 SAE Flat
45	JA-44007-8	2	BOLT- 5/16-18 x 3/4 shnk carr
46	JA-14218-8	1	IMPELLER ASSEMBLY
47	JA-48140-8	2	PIN- 1/4 x 1 1/2 roll
48	JA-44470-8	2	NUT- 1/4-20 HEX GRIPDC C/lock
49	JA-34244-9	2	BOLT- Collector shear

NO.	PART NO.	QTY.	DESCRIPTION
50	JA-12048-1	1	COLLECTOR ASSEMBLY R H (826 & 826)
	JA-12152-4	1	COLLECTOR ASSEMBLY R H (830)
	JA-12145-4	1	COLLECTOR ASSEMBLY L H (826 & 826)
	JA-12152-3	1	COLLECTOR ASSEMBLY L H (830)
51	JA-34158-1	2	SEAL- Collector shaft
52	JA-34158-0	2	BEARING- Collector shaft
53	JA-32129-4	1	SEAL- Impeller shaft
54	JA-32129-3	2	BEARING- Impeller shaft
55	JA-12602-3	1	GEAR HOUSING ASSEMBLY (Incl #51 & #52)
56	JA-47220-3	1	PLUG- 1/4 NPT sq hd pipe
57	JA-48302-1	1	KEY- 1/4 x 7/8 woodruff #A
58	JA-34161-0	1	GASKET- Gear housing cover
59	JA-40018-4	6	SCREW- 5/16-18 x 3/4 hex hd cap
60	JA-60041-6	1	GEAR HOUSING COVER (Incl #51 & #52)
61	JA-34180-8	2	WASHER- Thrust
62	JA-47122-5	1	GREASE FITTING COLLECTOR TUBE
63	JA-33544-1	1	SHAFT COLLECTOR (830)
	JA-33540-9	1	SHAFT COLLECTOR (826 & 826)
64	JA-50132-3	1	SET- Worm & Worm wheel
65	JA-33829-9	1	SHAFT- Impeller
66	JA-46311-3	1	KEY- Morton HP-806
67	JA-34158-4	1	BEARING- Thrust
68	JA-34158-3	3	RACE- Thrust bearing
69	JA-26901-4	1	COVER- Gear housing end
70	JA-34162-1	1	GASKET- End cover

PARTS LIST FIGURE 4

NO.	PART NO.	QTY.	DESCRIPTION
1	JA-40012-0	1	BOLT- Speed control mtg
2	JA-35928-2	2	WASHER- Speed lever mtg
3	JA-37502-2	1	ROD- Speed control (upper)
4	JA-45200-4	2	WASHER- Speed control mtg
5	JA-46001-0	4	PIN- 3/32 x 1/2 cotter
6	JA-18120-5	1	ROD LOWER ASSEMBLY- Speed control
7	JA-46200-2	2	WASHER- Clutch rod mtg
8	JA-37501-8	1	ROD- Traction clutch
9	JA-44470-6	5	NUT- 1/4-20 centerlock clutch rod jam
10	JA-45505-0	2	WASHER- 1/4 SAE flat
11	JA-37501-1	1	SPRING- Extension
12	JA-34454-4	2	WASHER- Clutch rod joining
13	JA-40120-4	2	SCREW- 1/4-20 x 7/8 hex hd clutch rod joining
14	JA-35195-6	1	SPRING- Compression
15	JA-37587-4	1	BRACKET- Speed control mtg
16	JA-35183-7	1	KNOB- Speed control
17	JA-44381-0	1	NUT- 3/8-16 hex jam
18	JA-40401-6	2	SCREW- 1/4-20 x 5/8 truss hd mach
19	JA-33915-7	1	LEVER- Speed control
20	JA-37501-2	1	ROD- Impeller- collector clutch
21	JA-44571-1	1	NUT- 1/4-20 hex NY lock, chute adj
22	JA-37501-0	1	SPRING- Extension
23	JA-44471-8	10	NUT- 5/16-18 hex c/lock handle & panel mtg
24	JA-45300-9	2	WASHER- 5/16 flat handle and panel mtg
25	JA-40120-3	6	SCREW- 5/16-18 x 1 1/2 hex hd cap Handle & Panel mtg
26	JA-11778-1	1	HANDLE PANEL (626)
	JA-11778-2	1	HANDLE PANEL (830)
	JA-11778-3	1	HANDLE PANEL (826)
27	JA-44551-6	2	NUT- Pal clutch grip mtg
28	JA-33824-1	2	GRIP- Clutch control
29	JA-36807-2	2	GRIP- Handle
30	JA-48464-6	2	RIVET- 1/4 x 1 1/2 button hd clutch grip mtg
31	JA-35453-1	1	SPRING- Clutch rod
32	JA-35216-7	1	EYEBOLT- Chute Adj
33	JA-45505-1	1	WASHER
34	JA-44525-8	1	NUT- Speed trimmer
35	JA-37501-7	1	KNOB- Chute control
36	JA-37687-2	1	ROD- Chute adjusting
37	JA-54934-3	1	NUT- 5/8-32 hex
38	JA-34308-0	2	KEY- Ignition switch
39	JA-44722-4	1	WASHER- Lock 5/8 shakeproof
40	JA-13051-6	1	IGNITION- Switch
41	JA-44611-2	1	WASHER- Lock #8 hvy
42	JA-40385-4	1	SCREW- #8-32 x 1/4 truss hd mach
43	JA-37687-1	1	WIRE- Stop switch
44	JA-14196-1	1	HANDLE ASSY (L H)
45	JA-14196-0	1	HANDLE ASSY (R H)

HOMELITE DIVISION OF TEXTRON INC.
P O Box 7047
14401 Carowinds Boulevard
Charlotte, N C 28217

04820Y

Overseas Offices

Homelite Division of Textron
Korenaarstraat 1
2153 BM Nieuw Vennepe
The Netherlands

Homelite Division of Textron
Pacific Limited
P O Box 209
Blackburn, 3130
Victoria, Australia

HOMELITE TEXTRON

Homelite Division of Textron Inc