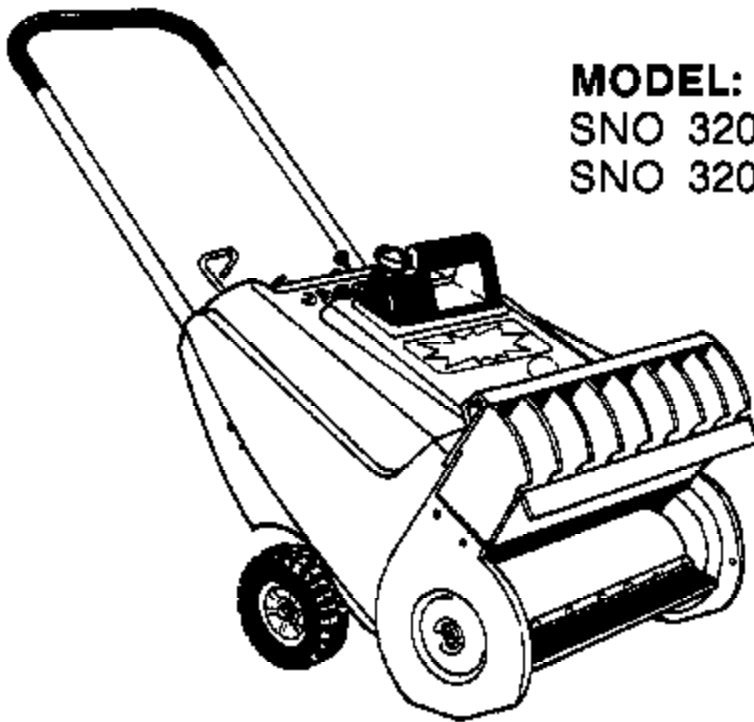


# PARTS LIST

# SNO-BURST



**MODEL:**

SNO 320    UT-35001-A

SNO 320E    UT-35002-A

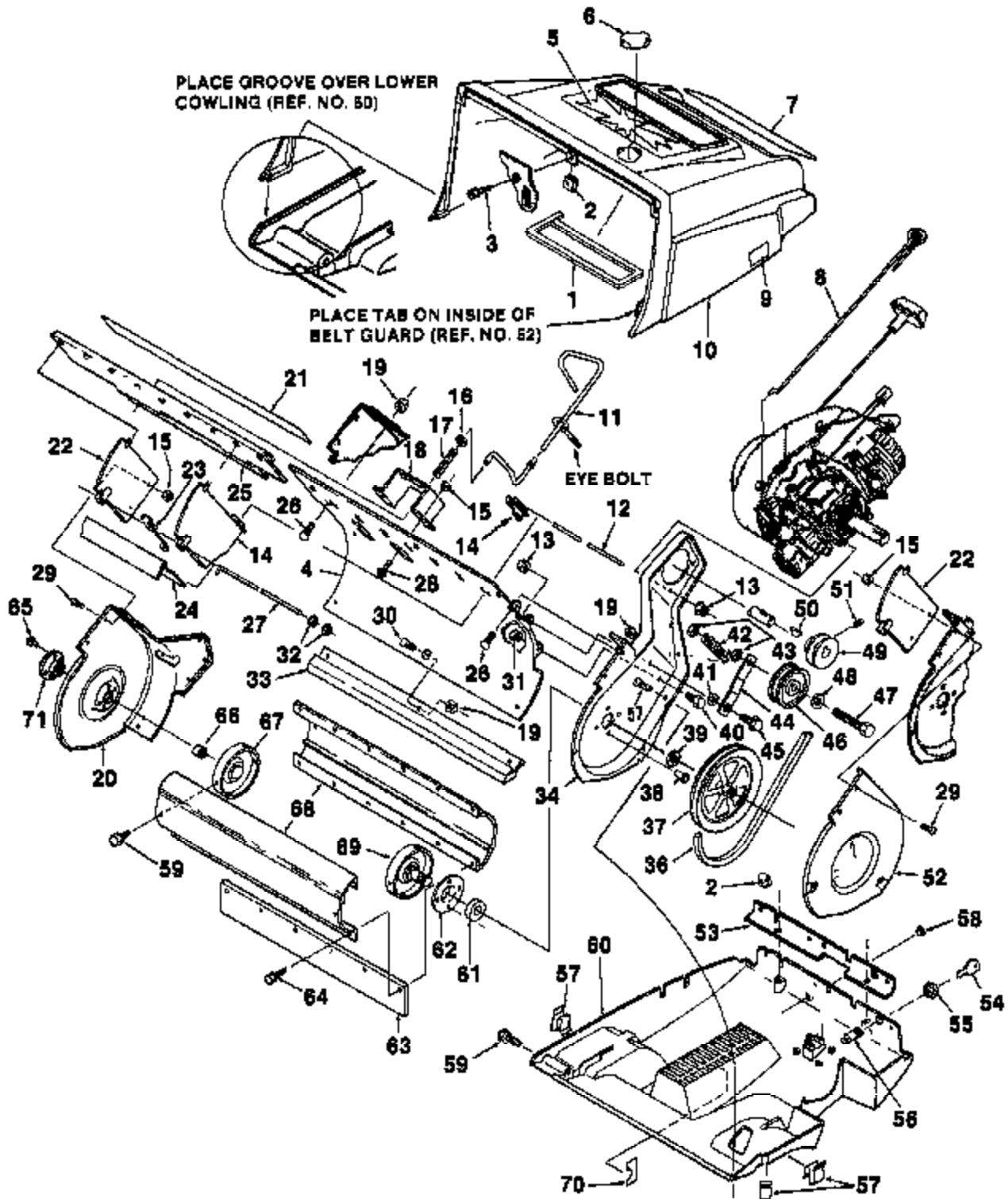
**HOMELITE**  
**JACOBSEN**



**WARNING**

IF INCORRECTLY USED THIS MACHINE CAN CAUSE SEVERE INJURY. THOSE WHO USE AND MAINTAIN THE MACHINE SHOULD BE TRAINED IN ITS PROPER USE, WARNED OF ITS DANGERS, AND SHOULD READ THE ENTIRE MANUAL BEFORE ATTEMPTING TO SET UP, OPERATE, ADJUST OR SERVICE THE MACHINE.

**FIGURE 1**



## PARTS LIST - FIGURE 1

REF. NO.	PART NO.	QTY.	DESCRIPTION
1	JA-37550-4	1	GASKET- Foam
**2	JA-44521-0	6	NUT- Tinnerman
**3	JA-37550-8	6	SCREW- #10-16 x 3/4 slotted head
4	JA-89782-5	1	HOUSING- Impeller
5	JA-33849-8	1	DECAL- Name
8	JA-33834-1	1	CAP- Carburetor access
7	JA-33849-8	1	DECAL- Console
8	JA-33843-4	1	ROD- Control burst
9	JA-33846-7	1	DECAL- Heat
10	JA-89028-3	1	COWLING- Upper {Includes items #1, 2, 5, 6, 7}
11	JA-33832-9	1	CONTROL- Chute
12	JA-37548-0	1	ROD- Vane
13	JA-44577-5	5	NUT- 5/16-18 hex flange lock
14	JA-33831-5	7	VANE- Deflector
15	JA-37550-8	8	NUT- 10-24 Prevailing torque
18	JA-45300-9	A/R	WASHER- 5/16 SAE flat
17	JA-35142-7	1	SPRING- Compression control
18	JA-33838-8	1	BRACKET- Control rod mtg
18	JA-44576-8	6	NUT- 1/4-20 hex w/ext lockwasher
20	JA-88177-1	1	R H FRAME & BUSHING ASSY {Incl Ref 65 66 & 71}
21	JA-38733-0	1	DECAL- Warning
22	JA-33830-7	2	VANE- End deflector
23	JA-37548-4	1	SPRING- R H Snow guide
24	JA-39243-9	1	GUIDE- Snow
25	JA-89012-2	1	PANEL- Vane control
26	JA-44003-8	3	BOLT- 1/4-20 x 1/2 short neck carr
27	JA-37548-0	1	ROD- Snow guide retaining
28	JA-40374-8	2	SCREW
29	JA-40381-2	10	SCREW- #10-24 x 5/8 C/R Truss hd
30	JA-44186-4	3	BOLT- 1/4-20 x 5/8 rd hd sq neck carr
31	JA-44576-8	2	NUT- 1/4-20 hex flange lock
32	JA-37562-9	2	NUT- 1/8 dia push-on
33	JA-64722-4	1	BAR- Scraper
34	JA-18176-5	1	L H FRAME ASSY {Incl Ref #81, 82, & 36}
36	JA-40888-1	1	SCREW- 1/4-10 x 5/8 C/R Tr hd

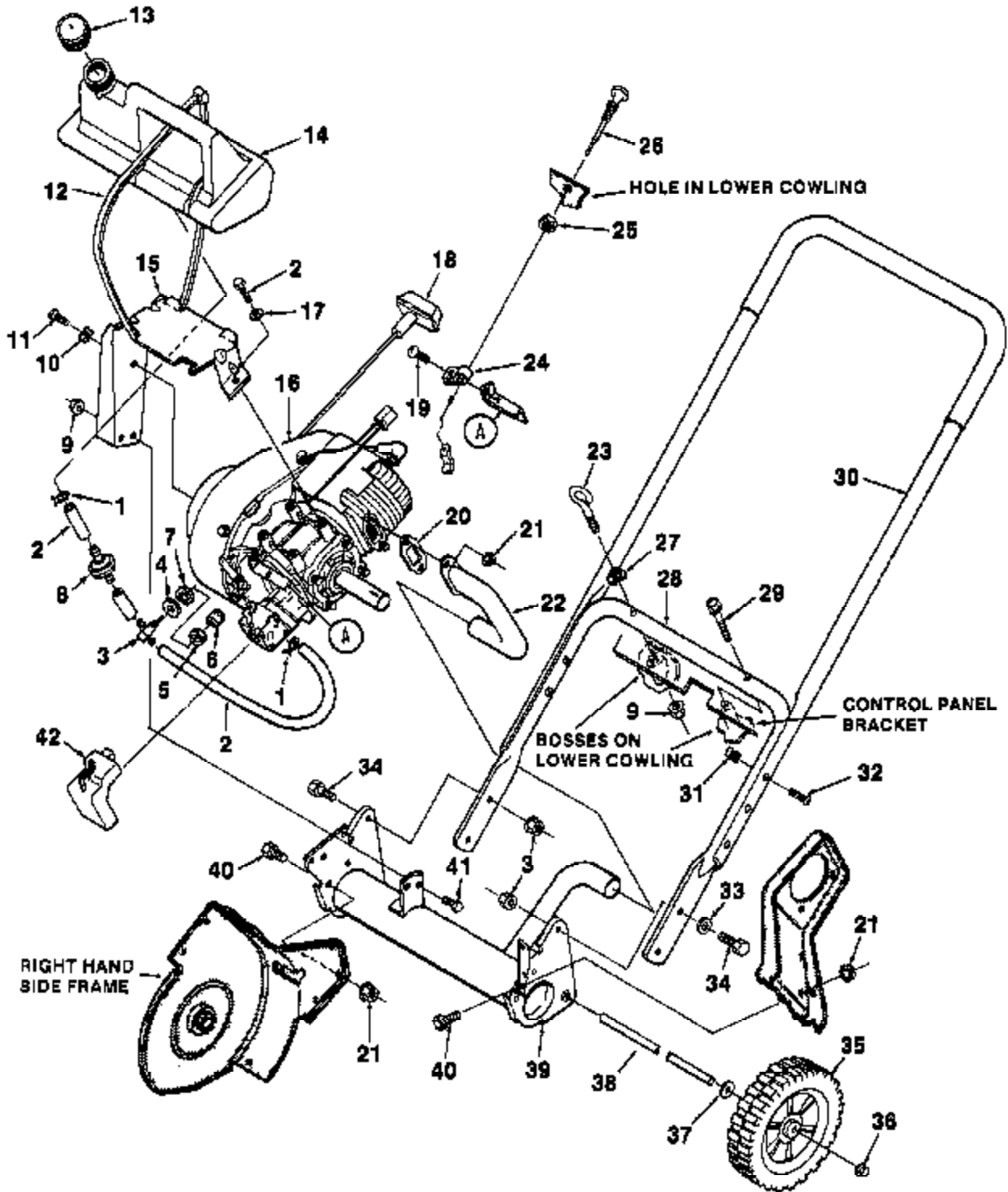
REF. NO.	PART NO.	QTY.	DESCRIPTION
38	JA-64721-6	1	BELT- Impeller
37	JA-22861-9	1	PULLEY- Driven
38	JA-48474-4	4	RIVET- 1/4 x 13/32 retainer mtg
39	JA-37543-9	1	SPACER- Driven pulley
40	JA-40010-4	2	BOLT- 1/4-20 x 1/2 hex hd
41	JA-31381-0	1	WASHER
42	JA-99581-0	1	SPRING- Idler
43	JA-44485-0	2	NUT- 3/8-16 hex c/lockjam
44	JA-37543-4	1	ARM- Idler
45	JA-87548-1	1	BOLT- idler arm pivot
46	JA-37543-5	1	PULLEY- Idler
47	JA-40028-8	1	BOLT- 3/8-16 x 1 3/4 hex hd
48	JA-45301-1	1	WASHER- 3/8 SAE flat
49	JA-37584-8	1	PULLEY- Drive
50	JA-46310-7	1	KEY- Morton
51	JA-41551-1	1	SCREW- 1/4-20 x 3/8 cup pt set
52	JA-89732-8	1	GUARD- Belt
53	JA-89038-5	1	BRACKET- Control
54	JA-84306-0	1	KEY- Ignition switch {set of 2}
55	JA-54834-3	1	NUT- 5/8-32 hex steel
56	JA-13084-1	1	SWITCH- Ignition {Incl Ref 55 & 54}
57	JA-37560-4	3	CLIP- Fastener
58	JA-47314-0	1	EYELET
59	JA-37550-7	9	SCREW- 1/4-20 x 1/2 hex indented
60	JA-89028-8	1	LOWER- Cowling assembly
61	JA-31153-7	1	BEARING
62	JA-37548-3	1	RETAINER- Bearing
63	JA-51858-4	1	PADDLE- Impeller {set of 2}
64	JA-51858-5	1	SCREW- #12-24 x 1 indented hex washer hd type SW thrd rolling {Includes 12 screws}
65	JA-46474-3	4	RIVET
66	JA-89175-0	1	BUSHING- Impeller
67	JA-89310-0	1	END PLATE & PIN ASSEMBLY
*68	JA-51894-8	1	DRUM- Impeller {Incl 2 drum halves}
*69	JA-51886-6	1	DRIVE SHAFT & PLATE ASSY
70	JA-33868-7	1	DECAL
71	JA-89862-0	1	HOUSING- Bearing

A/R As Required

\* Includes Ref #84

\*\* One each of Ref #2 &amp; 3 included in cowling hardware kit Part No 547228

**FIGURE 2**



## PARTS LIST - FIGURE 2

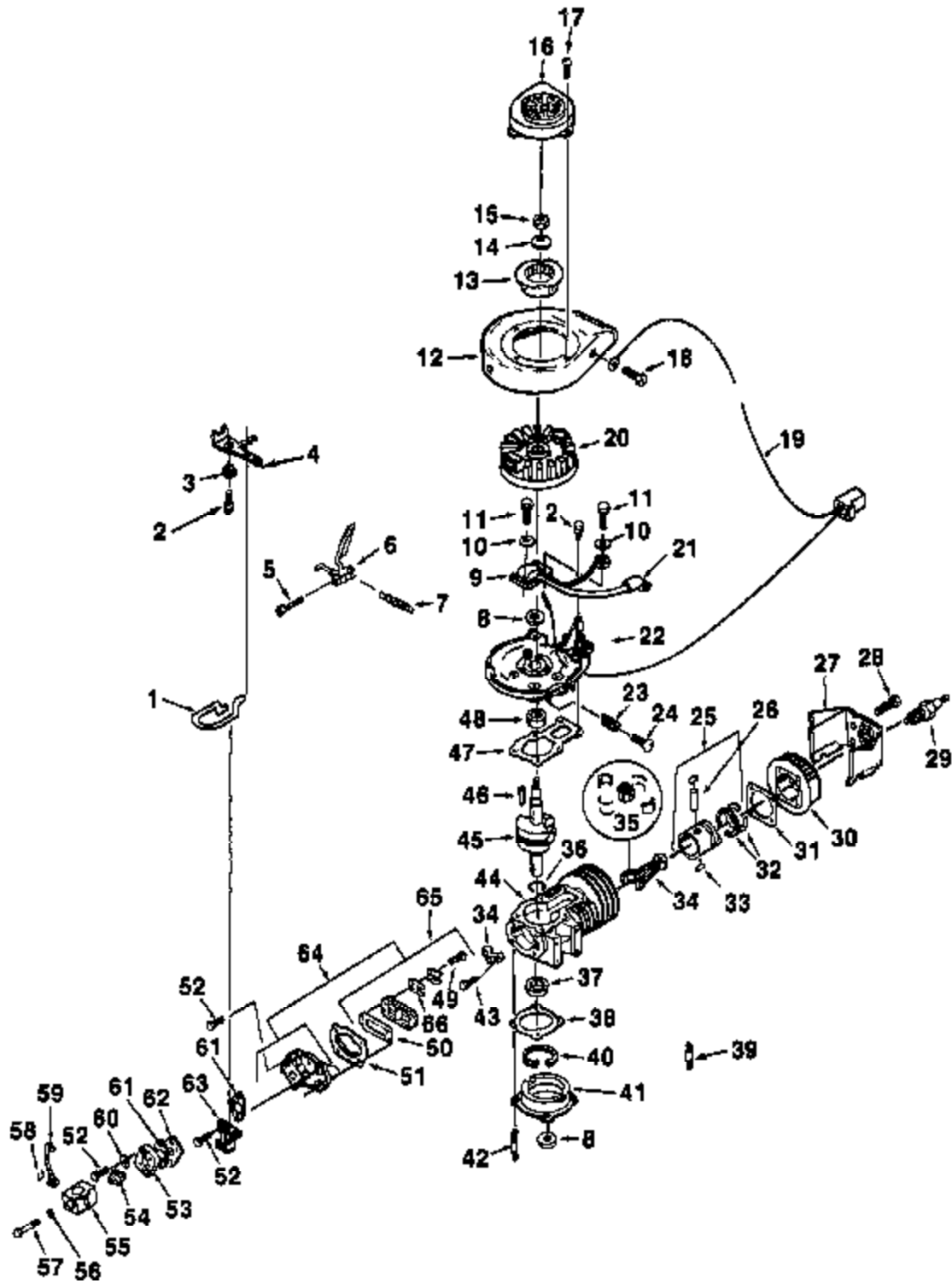
REF. NO.	PART NO.	QTY.	DESCRIPTION
1	JA-47280-1	2	CLAMP- Fuel line
**2	JA-37543-8	1	LINE- Fuel
3	JA-37699-5	1	VALVE
4	JA-45301-3	1	WASHER
5	JA-44381-6	1	NUT
6	JA-37599-4	1	KNOB- Shut off valve
7	JA-44721-8	1	WASHER- Lock
8	JA-99294-0	1	FILTER- Fuel
9	JA-44576-8	3	NUT- 1/4-20 hex flange lock
10	JA-45402-3	1	WASHER- Shakeproof
11	JA-40010-2	1	BOLT- 1/4-20 x 3/8 hex hd
12	JA-61985-9	1	STRAP- Fuel tank (set of two)
13	JA-18157-2	1	FUEL TANK CAP ASSEMBLY
14	JA-18191-4	1	FUEL TANK & LINE ASSY (Incl 1, 2 & 8)
15	JA-39734-8	1	BRACKET- Fuel tank mtg
*16	JA-51889-7	1	SHORT BLOCK
		1	ENGINE- J-501ST
17	JA-44813-6	1	WASHER- Lock, 5/16 hvy
18	JA-54800-3	1	HANDLE- Starter
19	JA-40902-6	1	SCREW- #10 x 3/4 rd hd phillips
20	JA-30976-1	1	GASKET- Manifold
21	JA-44577-5	10	NUT- 5/16-18 hex flange lock
22	JA-33830-8	1	MANIFOLD- Exhaust

REF. NO.	PART NO.	QTY.	DESCRIPTION
23	JA-35216-7	1	EYE- Bolt
24	JA-35418-4	1	CLAMP- Conduit
25	JA-44551-0	1	NUT- 3/8-24 type R hex pal
26	JA-12408-8	1	CONTROL- Choke (Incl Ref #19 & 24)
27	JA-34454-4	1	WASHER- Eye bolt mtg
28	JA-33830-9	1	HANDLE- Lower
29	JA-40971-8	1	SCREW- #10 x 1 1/2 indented hex
30	JA-18179-0	1	UPPER HANDLE & GRIP ASSY
31	JA-44528-4	4	NUT- 1/4-20 retainer tinnermen
32	JA-37651-0	4	BOLT- 1/4-20 x 1 1/2 C/R Type 1
33	JA-46300-9	2	WASHER- 5/16 SAE flat
34	JA-40018-4	4	BOLT- 5/16-18 x 3/4 hex hd
35	JA-12408-0	2	WHEEL & TIRE ASSY (Incl Ref #38)
36	JA-54722-2	3	NUT- 3/8 push on (1 spare inc w/unit) Kit includes (2)
37	JA-46301-1	2	WASHER- 3/8 SAE flat
38	JA-54722-1	1	SHAFT- Axle
39	JA-11778-8	1	MUFFLER- ASSEMBLY
40	JA-40018-2	6	BOLT- 5/16-18 x 6/8 hex hd
41	JA-40010-4	2	BOLT- 1/4-20 x 1/2 hex hd
42	JA-89735-2	1	SHIELD- Carb

\* See Illustration 3 for parts breakdown

\*\* Part No. 37543-8 is long enough to be cut and used for both lines

### FIGURE 3 ENGINE



## PARTS LIST - FIGURE 3

REF. NO.	PART NO.	QTY.	DESCRIPTION
1	JA-37566-6	1	SPRING- Governor defant
*2	JA-40688-2	7	SCREW- 1/4-20 x 7/8 hex hd slot thd form swageform sems
3	JA-37533-0	1	BUSHING- Control mtg
4	JA-33843-2	1	LEVER- Governor spring
5	JA-34205-2	1	SCREW- Governor vane
6	JA-18174-2	1	GOVERNOR VANE ASSEMBLY
7	JA-37573-3	1	SPRING- Governor
*8	JA-82547-2	2	OIL SEAL- Crankshaft
9	JA-33842-2	1	MODULE- Ignition
10	JA-45300-4	2	WASHER- #8 SAE std plain
11	JA-40611-6	2	SCREW- #8-32 x 3/4 hex ind washer hd form swageform sems
12	JA-98038-1	1	FAN HOUSING ASSEMBLY
13	JA-35118-8	1	HUB- Rewind starter
14	JA-45403-0	1	WASHER- Belleville
15	JA-44311-8	1	NUT- 7/16-20 hex
**16	JA-51883-5	1	REWIND STARTER ASSEMBLY
17	JA-40638-6	4	SCREW- 1/4-20 x 3/8 tri hd sems
18	JA-40688-5	3	SCREW- 1/4-20 x 9/16 hex hd thd form sems
19	JA-37533-3	1	WIRE- Shut-off switch
20	JA-39248-8	1	FLY WHEEL
21	JA-55998-2	1	HIGH TENSION LEAD
*22	JA-51888-8	1	BACKPLATE- Fan hsg (Incl Ref #8 & 48)
23	JA-36773-2	1	SPRING- Governor adj screw
24	JA-40288-6	1	SCREW- #12-24 x 3/4 tri hd
*26	JA-50017-6	1	PISTON AND PIN w/Rings
*26	JA-31844-6	1	PIN- Piston
27	JA-98038-7	1	DEFLECTOR- Air
28	JA-40100-8	4	SCREW- 5/16 x 3/8 hex hd cap
29	JA-54558-1	1	SPARK PLUG
30	JA-21800-4	1	HEAD- Cylinder
*31	JA-30974-8	1	GASKET- Cylinder head
*32	JA-20347-2	2	RING- Piston
*33	JA-30758-4	2	RING- Piston pin
*34	JA-51894-8	1	CONNECTING ROD ASSEMBLY

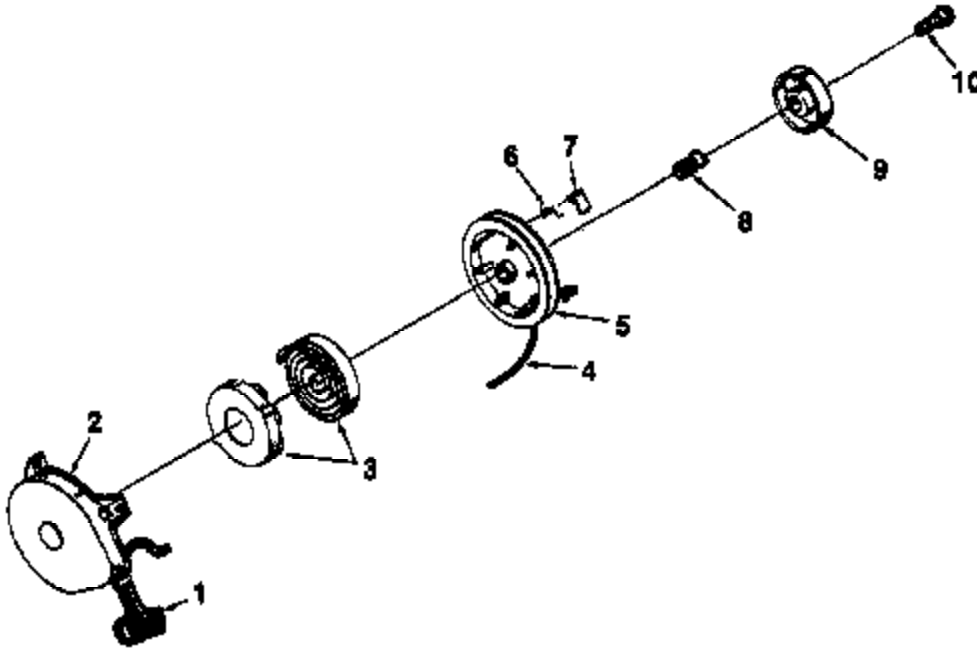
REF. NO.	PART NO.	QTY.	DESCRIPTION
*35	JA-50040-8	1	BEARING ASSEMBLY Incl 28 rollers, 4 guides and 2 liners
*36	JA-32766-8	1	RING- Snap
*37	JA-30543-8	1	BEARING- Crankshaft
*38	JA-34178-2	1	GASKET- Crankcase head
*38	JA-37532-9	2	STUD- Exhaust manifold mtg
*40	JA-45812-5	1	RING- Snap
*41	JA-22021-8	1	COVER- Crankcase PTO
*42	JA-37532-5	4	STUD- Crankcase head mtg
*43	JA-37576-4	2	SCREW- Conn rod cap
*44	JA-51888-7	1	CYLINDER & CRANKCASE (Incl Ref #38 & 42)
*46	JA-51883-1	1	CRANKSHAFT
48	JA-37572-8	1	KEY- Magneto flywheel mtg
*47	JA-34178-4	1	GASKET- Fan housing backplate
*48	JA-32547-3	1	BEARING- Crankshaft
49	JA-31846-7	4	SCREW- Reed plate mtg
50	JA-31333-8	1	GASKET- Reed plate
*51	JA-34178-3	1	GASKET- Carb adapt mtg
52	JA-40688-4	6	SCREW- 1/4-20 x 1 indent hex hd type SW Thd Sems
53	JA-36834-0	1	PLATE- Adaptor
54	JA-37633-2	1	GASKET- Carb to adaptor plate
55	JA-12407-7	1	CARBURETOR ASSEMBLY
56	JA-44811-4	2	WASHER- Lock 3/16 light
57	JA-40874-7	2	SCREW- 10-32 x 2 1/4 hex hd
58	JA-45805-6	1	RING- Ext snap
59	JA-34282-8	1	LINK- Governor vane
60	JA-45302-8	2	WASHER- 1/4 SAE Std plain
61	JA-37533-1	2	GASKET- Adaptor plate to carb adaptor
62	JA-37551-7	1	ADAPTER- Steel carb
63	JA-98038-8	1	BRACKET- Choke control
64	JA-18148-1	1	CARBURETOR ADAPTER & REED PLATE ASSEMBLY (Incl #19 65 66 50 & 49)
85	JA-50012-0	1	PLATE- Reed assembly
86	JA-31333-6	1	REED VALVE

\* Indicates parts included in J-501ST short block, also included are Ref #20 and 21 in illust 2 and Ref No 13 in illust 1 Order product no 518887

\*\* See illustration 4 for parts breakdown

# See illustration 5 for parts breakdown

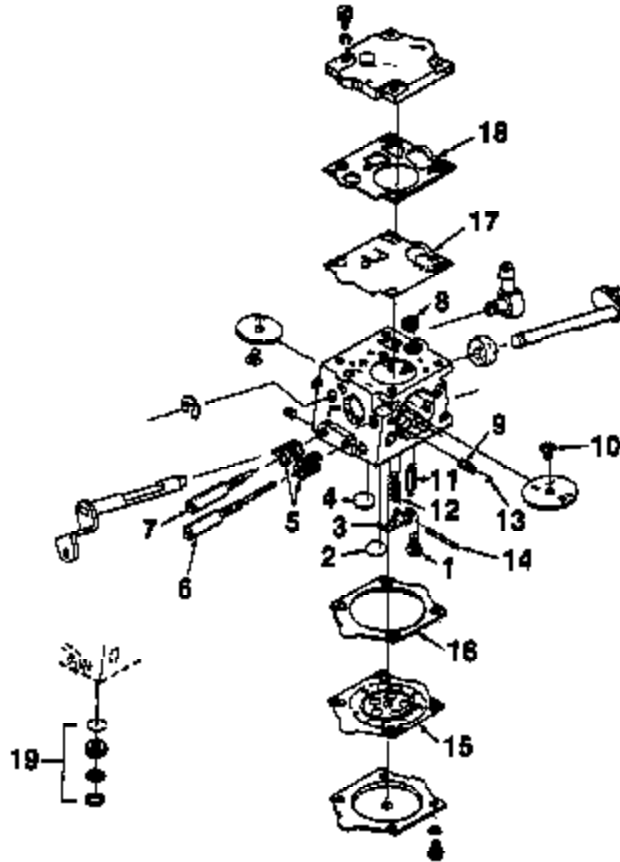
**FIGURE 4**  
REWIND STARTER ASSEMBLY NO. 518835



### PARTS LIST

REF. NO.	PART NO.	QTY.	DESCRIPTION
1	JA-54800-3	1	HANDLE ASSEMBLY
2	JA-51883-3	1	HOUSING ASSEMBLY
3	JA-50079-0	1	SPRING & KEEPER ASSEMBLY
4	JA-56894-5	1	ROPE
5	JA-53503-1	1	PULLEY
6	JA-54599-9	1	DOG SPRING
7	JA-31366-3	1	DOG
8	JA-54800-1	1	BRAKE SPRING
9	JA-54600-2	1	RETAINER
10	JA-54600-0	1	SCREW

**FIGURE 5**  
**CARBURETOR ASSEMBLY NO. 124077 (WALBRO SDC-86)**



**JA-51884-5**

**KIT- Repair (Incl. 1-18)**

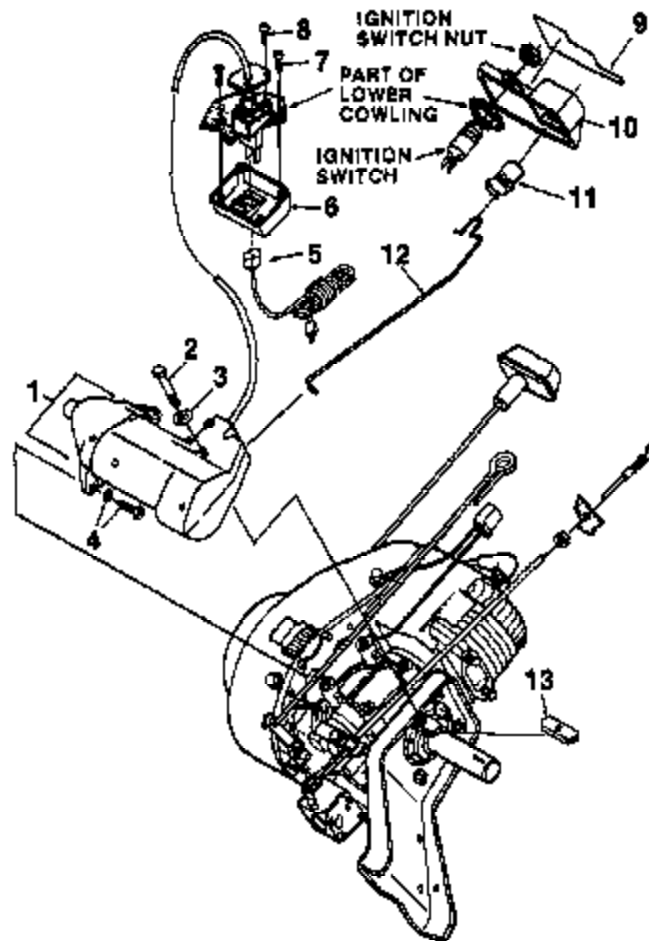
**JA-51884-6**

**KIT- Gasket/Dia. (Incl. 15-18)**

**JA-51884-4**

**KIT- Check Valve Repair (Incl. 19)**

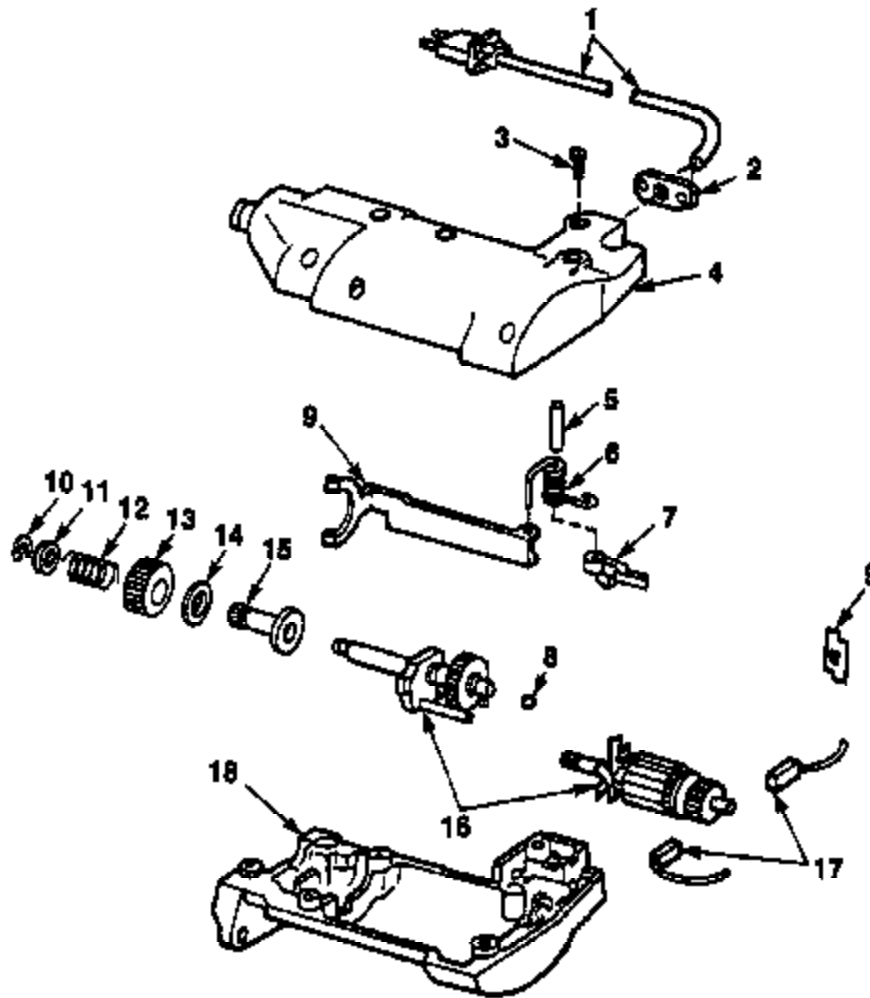
**FIGURE 6**  
**ELECTRIC START ASSEMBLY UT NO. 35002-A**



### PARTS LIST

REF. NO.	PART. NO.	QTY.	DESCRIPTION
*1		1	STARTER MOTOR ASSEMBLY
2	JA-40020-2	1	BOLT- 5/16-18 UNC x 3 hex cap
3	JA-44721-4	1	WASHER- Lock 5/16 internal tooth
4	JA-37571-4	2	SCREW- Self tapping 1/4-20 x 3/4 hex hd w/internal tooth L/washer
5	JA-33945-9	1	CORD SET
6	JA-39249-6	1	COVER- Starter plug
7	JA-37550-8	4	SCREW- #10 x 3/4 slotted hex hd
8	JA-40902-8	2	SCREW #10 x 3/4 phillips drive true hd type A
8	JA-33945-9	1	DECAL- Starter
10	JA-09020-7	1	CONSOLE ASSEMBLY (Incl Ref #9)
11	JA-33844-8	1	BUTTON- Starter
12	JA-33944-4	1	ROD- Push
13	JA-37572-6	1	CLAMP- Side frame

**FIGURE 7**  
**STARTER MOTOR ASSEMBLY**  
**FOR SNO-BURST UT NOB. 35001-A & 35002-A**



## PARTS LIST

REF. NO.	PART. NO.	QTY.	DESCRIPTION
1	JA-18177-5	1	LINE CORD AND TERMINAL ASSY
2	JA-37574-1	1	RETAINER- Plug
3	JA-37570-3	6	SCREW- Housing
4	JA-39736-1	1	HOUSING- Upper
5	JA-37571-5	1	PIN- Pivot
6	JA-33944-6	1	SPRING- Torsion
7	JA-33944-5	1	ARM- Switch
8	JA-37570-6	1	BALL- Thrust
9	JA-18177-4	1	SWITCH
10	JA-37570-0	1	RING- Retaining
11	JA-37570-2	1	WASHER- Cupped
12	JA-37570-1	1	SPRING- Pinion return
13	JA-33944-9	1	PINION- Starter
14	JA-37572-1	1	WASHER- Thrust
16	JA-18177-8	1	CLUTCH ASSEMBLY
18	JA-99060-6	1	MOTOR UNIT & SPINDLE SHAFT ASSEMBLY
17	JA-61886-2	1	BRUSH KIT (Includes 2 brushes, springs, and brush holders)
18	JA-39736-0	1	HOUSING- Lower

**HOMELITE DIVISION OF TEXTRON INC.**

P.O. Box 7047  
14401 Carowinds Boulevard  
Charlotte, N.C. 28217

**Overseas Offices**

**Homelite Division of Textron**  
Korenaarstraat 1  
2153 BM Nieuw Vennep  
The Netherlands

**Homelite Division of Textron**  
Pacific Limited  
P O Box 209  
Blackburn, 3130  
Victoria, Australia

4012000

**HOMELITE TEXTRON**

Homelite Division of Textron Inc