

# PARTS LIST

# RIDING MOWERS

## MODELS:

HR830     UT32023-A  
HR830E   UT32024-A  
HR1230E   UT32030

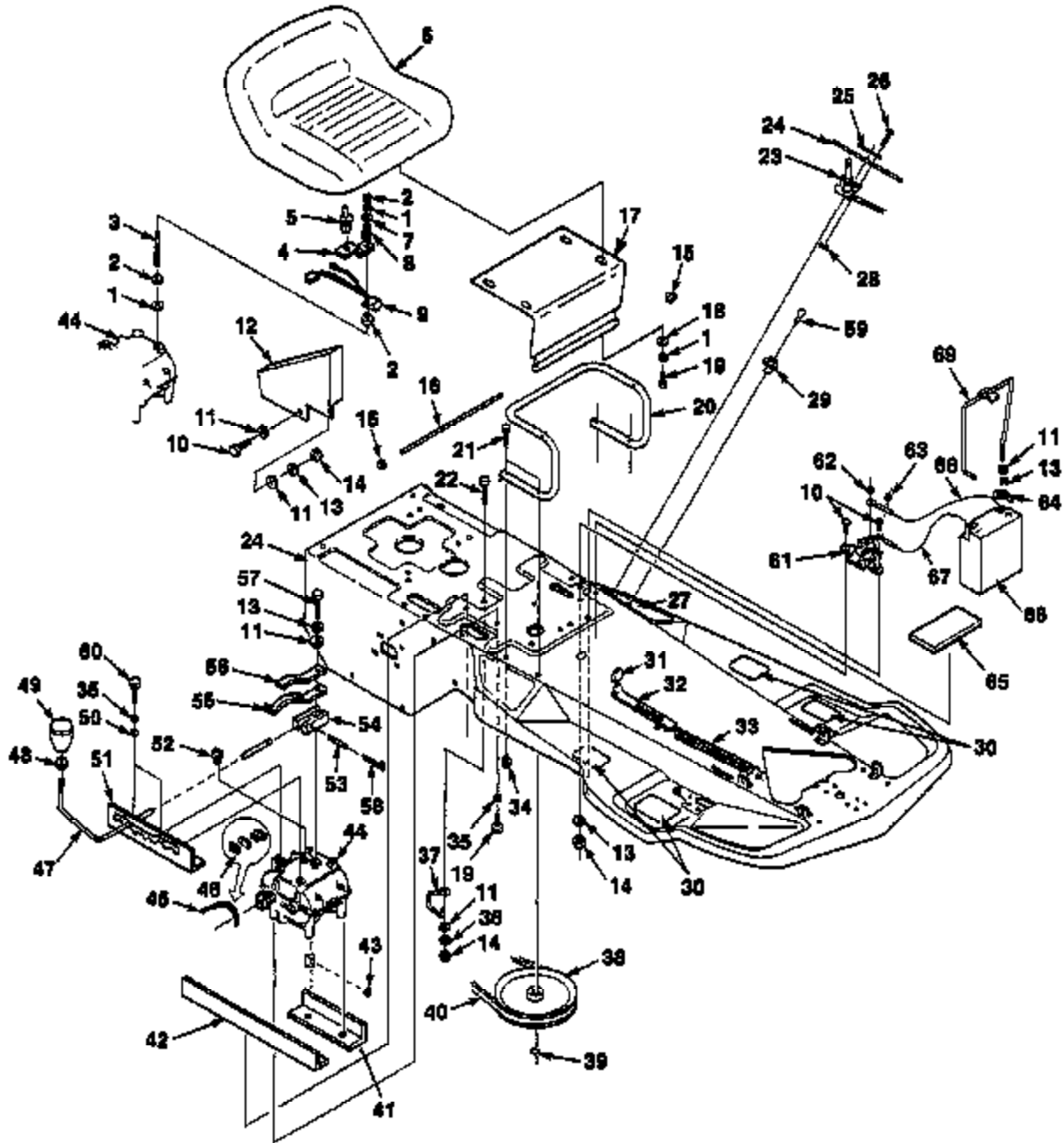
**HOMELITE®**  
**JACOBSEN**



## WARNING

IF INCORRECTLY USED THIS MACHINE CAN CAUSE SEVERE INJURY. THOSE WHO USE AND MAINTAIN THE MACHINE SHOULD BE TRAINED IN ITS PROPER USE, WARNED OF ITS DANGERS, AND SHOULD READ THE ENTIRE MANUAL BEFORE ATTEMPTING TO SET UP, OPERATE, ADJUST OR SERVICE THE MACHINE. ALWAYS KEEP HANDS AND FEET AWAY FROM THE MOWER DECK AND DISCHARGE AREA.

**FIGURE 1**

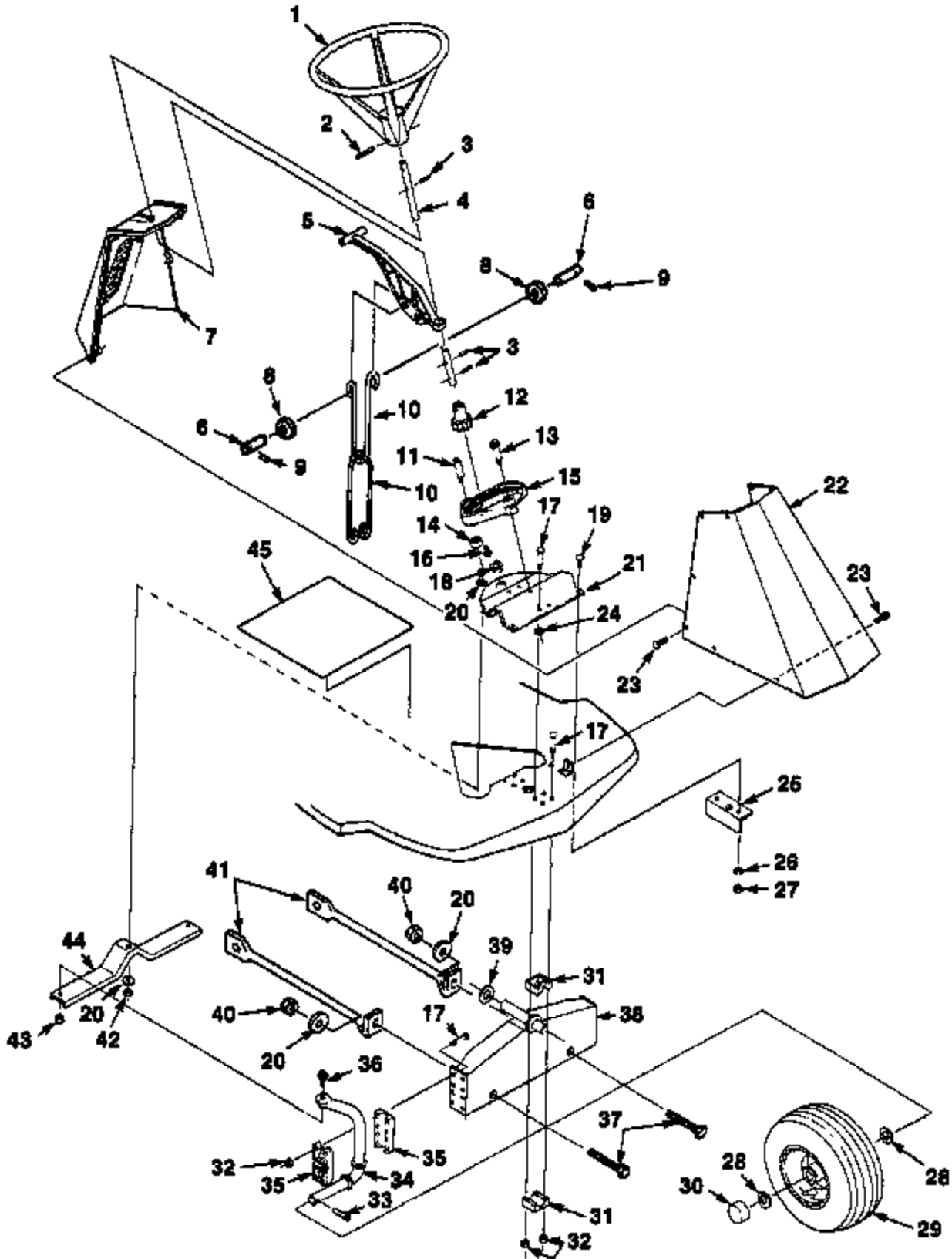


## PARTS LIST - FIGURE 1

NO.	PART NO.	DESCRIPTION	QTY.
1	JA-44613-6	WASHER- Lock 5/16"	4
2	JA-44310-6	NUT- Hex 5/16-18	3
3	JA-86302-7	STUD- 5/16-18	1
4	JA-89403-4	BRACKET- Transmission	1
5	JA-99151-3	SWITCH- Seat	1
6	JA-12407-2	SEAT	1
7	JA-99200-7	RETAINER- Spring	1
8	JA-35929-8	SPRING- Compression	1
9	JA-89107-7	MODULE- Safety	1
10	JA-40010-5	SCREW- Hex centerlock 1/4-20 x 5/8" (HR830)	2
	JA-40010-5	SCREW- Hex centerlock 1/4-20 x 5/8" (HR830E & HR1230E)	4
11	JA-45200-4	WASHER- Plain 1/4" (HR830)	3
	JA-45200-4	WASHER- Plain 1/4" (HR830E & HR1230E)	4
12	JA-99269-9	GUARD- Chain	1
13	JA-44512-8	WASHER- Lock 1/4-20 (HR830)	3
	JA-44512-8	WASHER- Lock 1/4-20 (HR830E & HR1230E)	4
14	JA-44310-2	NUT- Hex 1/4-20	3
15	JA-44551-7	NUT- Pls 5/16"	2
16	JA-99418-5	ROD- Seat	1
17	JA-99417-4	BRACKET- Seat	1
18	JA-45200-5	WASHER- Plain 5/16"	4
19	JA-40018-4	SCREW- Hex hd. 5/16-18 x 3/4"	8
20	JA-99418-7	SUPPORT- Seat	1
21	JA-40011-8	SCREW- Hex centerlock 1/4-20 x 1 1/2"	4
22	JA-40011-0	SCREW- Hex centerlock 1/4-20 x .825	1
23	JA-89343-1	CONTROL- Throttle	1
24	JA-89442-5	FRAME	1
25	JA-89429-5	PLATE- Throttle	1
26	89049	SCREW- Sems 10-24 x 1/2"	2
27	JA-89380-6	DECAL- Throttle (HR830)	1
	JA-89380-7	DECAL- Throttle (HR830E & HR1230E)	1
28	JA-44478-2	NUT- Hex 10-24	2
29	JA-13066-6	SWITCH- Ignition (HR830)	1
	JA-13041-2	SWITCH- Ignition (HR830E & HR1230E)	1

NO.	PART NO.	DESCRIPTION	QTY.
30	JA-33955-5	PAD- Foot	4
31	JA-37565-7	KNOB- Tab	1
32	JA-37565-9	LATCH- Brake	1
33	JA-99144-2	SPRING- Extension	1
34	JA-44470-6	NUT- Hex centerlock 1/4-20	4
35	JA-44613-4	WASHER- Lock 5/16"	6
36	JA-44613-0	WASHER- Lock 1/4"	1
37	JA-99282-1	GUIDE- Belt	1
38	JA-99259-3	TRANSMISSION PULLEY	1
39	JA-45800-6	RING- Retaining	1
40	JA-99283-8	BELT- Transmission	1
41	JA-99383-4	ANGLE- Short	1
42	JA-99282-4	ANGLE- Long	1
43	JA-46301-7	KEY- Woodruff	1
44	JA-99022-2	TRANSMISSION	1
45	JA-89073-9	CHAIN #40	1
46	JA-47050-3	LINK- Connecting	1
47	JA-99403-5	LEVER- Gear	1
48	JA-44351-2	NUT- Hex jam 3/8-24	1
49	JA-99184-5	KNOB- Shift	1
50	JA-45300-9	WASHER- Plain 5/16"	2
51	JA-99259-4	LOCATOR- Gear	1
52	JA-99098-1	SWITCH- Neutral safety	1
53	JA-45139-3	PIN- Roll	1
54	JA-99184-9	BRACKET- Pivot	1
55	JA-99184-3	LEAF- Spring	1
56	JA-99183-9	LEAF- Spring	1
57	JA-40014-5	SCREW- Hex 1/4-20 x 7/8"	1
58	JA-45021-2	PIN- Cotter	1
59	JA-34305-0	KEY- Ignition	2
60	JA-40680-4	SCREW- Tapite 5/16-16 x 3/4"	2
61	JA-89659-0	SOLENOID (HR830E & HR1230E)	1
62	JA-44380-2	NUT- 1/4-20 (HR830E & HR1230E)	2
63	JA-44430-8	NUT- 9-32 (HR830E & HR1230E)	2
64	JA-44561-2	NUT- Wing (HR830E & HR1230E)	1
65	JA-99160-7	PAD- Battery (HR830E & HR1230E)	1
66	JA-99219-9	CABLE- Battery (HR830E & HR1230E)	1
67	JA-99350-5	CABLE- Battery ground (HR830E & HR1230E)	1
68	JA-99352-7	BATTERY (HR830E & HR1230E)	1
69	JA-99401-4	BRACKET- Battery (HR830E & HR1230E)	1

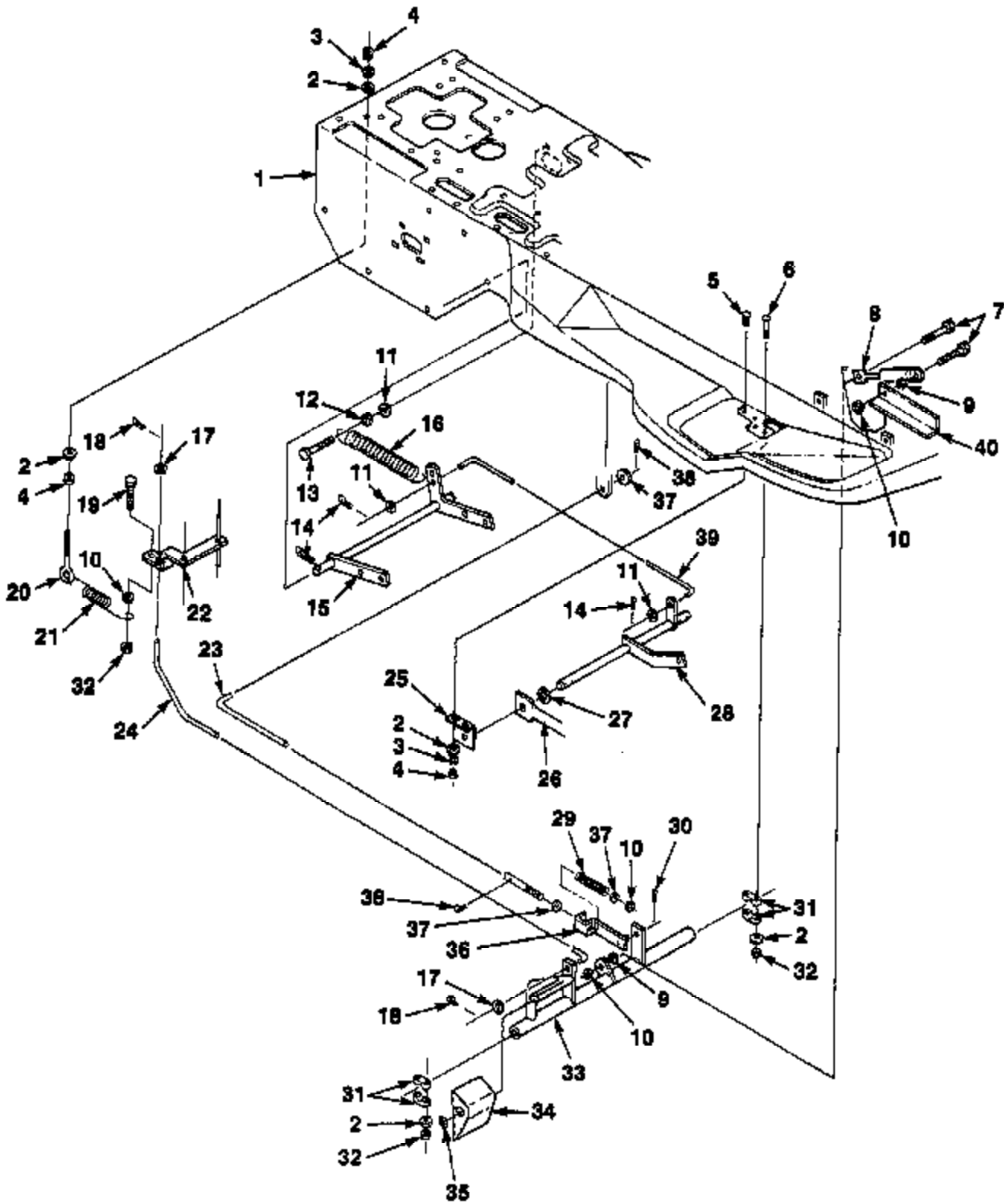
FIGURE 2



**PARTS LIST - FIGURE 2**

NO.	PART NO.	DESCRIPTION	QTY.
1	JA-33614-8	STEERING WHEEL	1
2	JA-48139-3	PIN- Roll	1
3	JA-48134-6	PIN	3
4	JA-99428-8	SHAFT- Steering	1
5	JA-33000-1	HANDLE- Lift	1
6	JA-99042-9	PIN- Retainer	1
7	JA-99150-1	PANEL- Console	1
8	JA-45301-7	WASHER- Flat 1/2"	2
9	JA-46002-6	PIN- Cotter	2
10	JA-99021-9	LINK- LHK	2
11	JA-37686-7	STUD- Steering	1
12	JA-33648-8	PINION- Steering	1
13	JA-99213-8	BOLT- Axle (Incl. #24)	1
14	JA-37583-6	BUSHING- Ball	1
15	JA-22962-2	SECTION- Steering	1
16	JA-40990-7	SCREW- 1/4-20 x 1/2"	1
17	JA-44005-2	BOLT- Rd. hd. sq. 1/4-20 x 1 3/4"	16
18	JA-35418-0	BUSHING	1
19	JA-44160-8	BOLT- 1/4-20 x 3/4"	4
20	JA-45301-1	WASHER- Plain 3/8"	4
21	JA-99461-9	BRACKET- Reinforcement	1
22	JA-99391-2	SUPPORT- Steering	1
23	JA-37597-8	SCREW- Hex washer 1/4-14	12
24	JA-44485-0	NUT- Hex 3/8-16	1
25	JA-99461-8	BRACKET- Axle	2
26	JA-44613-0	WASHER- Lock 1/4"	6
27	JA-44310-2	NUT- Hex 1/4-20	6
28	JA-30245-6	WASHER	6
29	JA-12044-8	TIRE & HUB	2
30	JA-34887-7	CAP- Hub	2
31	JA-33946-2	BEARING- Front axle	4
32	JA-44470-8	NUT- Hex centerlock 1/4-20	16
33	JA-46141-8	PIN- Roll	2
34	JA-99425-7	SPINDLE- Wheel R.H.	1
	JA-99425-6	SPINDLE- Wheel L.H.	1
35	JA-33946-6	BEARING- Spindle	4
36	JA-95448-0	BRACKET- Axle	2
37	JA-40025-6	SCREW- Hex hd. 3/8-16 x .625	2
38	JA-99376-3	FRONT AXLE	1
39	JA-45902-2	WASHER	2
40	JA-44478-2	NUT- Hex center lock 3/8-16	2
41	JA-99050-7	SUPPORT- Front axle	2
42	JA-44577-8	NUT- Lock 3/8-24	1
43	JA-44471-8	NUT- Hex centerlock	2
44	JA-99462-1	BRACKET- Steering	1
45	JA-99445-5	DEGAL- Instruction	1

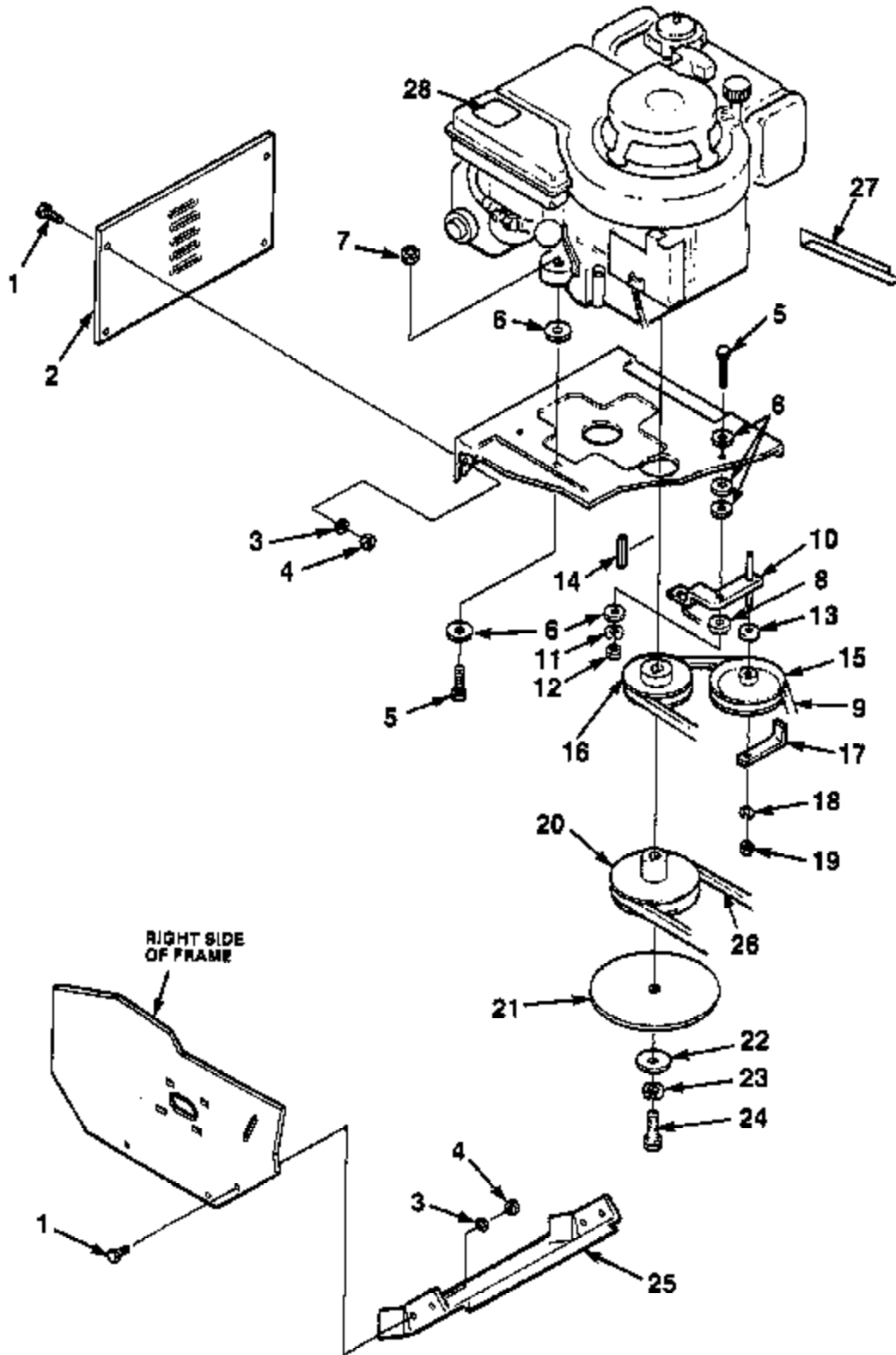
**FIGURE 3**



## PARTS LIST - FIGURE 3

NO.	PART NO.	DESCRIPTION	QTY.
1	JA-99442-8	FRAME	1
2	JA-45200-4	WASHER- Flat 1/4"	8
3	JA-44813-0	WASHER- Lock 1/4"	4
4	JA-44310-2	NUT- Hex 1/4-20	4
5	JA-44186-4	BOLT- Rd. hd. 1/4-20 x .825	4
6	JA-44005-0	BOLT- Rd. hd. 1/4-20 x 1 1/2"	4
7	JA-40019-2	SCREW- Hex cap 5/16-18 x 1 1/2"	2
8	JA-89144-4	DAMPER	1
9	JA-44310-6	NUT- Hex 5/16-18	2
10	JA-44471-8	NUT- Hex centerlock 5/16-18	5
11	JA-45301-1	WASHER- Flat 3/8"	3
12	JA-44476-2	NUT- Centerlock 3/8-18	2
13	JA-40027-2	SCREW- Hex cap 3/8-18 x 2 1/4"	1
14	JA-46021-2	PIN- Cotter 7/16 x 1"	8
15	JA-99311-2	HANGER- Rear	1
16	JA-99098-3	SPRING	1
17	JA-45200-8	WASHER- Flat 5/16"	2
18	JA-45002-8	PIN- Cotter	2
19	JA-40015-5	SCREW- Hex 5/16-18 x 1"	1
20	JA-88465-2	EYEBOLT- 1/4-20	1
21	JA-99281-8	SPRING- Extension	1
22	JA-99408-2	ARM- Idler	1
23	JA-99384-3	ROD- Brake	1
24	JA-99277-4	ROD- Clutch	1
25	JA-37561-5	BRACKET- Front hanger	2
26	JA-99050-7	SUPPORT- Front Axle	2
27	JA-45301-7	WASHER- Flat 1/2"	2
28	JA-99289-1	HANGER- Front	1
29	JA-37610-2	SPRING- Compression	1
30	JA-46000-6	PIN- Cotter	1
31	JA-33948-1	BEARING	4
32	JA-44470-8	NUT- Hex centerlock 1/4-20	4
33	JA-99454-7	CLUTCH/BRAKE	1
34	JA-34502-0	PEDAL- Rubber	1
35	JA-37581-0	NUT- Push	1
36	JA-18198-9	BRACKET- Brake spring	1
37	JA-45300-9	WASHER- Flat 5/16"	3
38	JA-46001-6	PIN- Cotter 3/32 x 1"	2
39	JA-99404-2	ROD- Lift	1
40	JA-99180-6	BRACKET- Damper	1

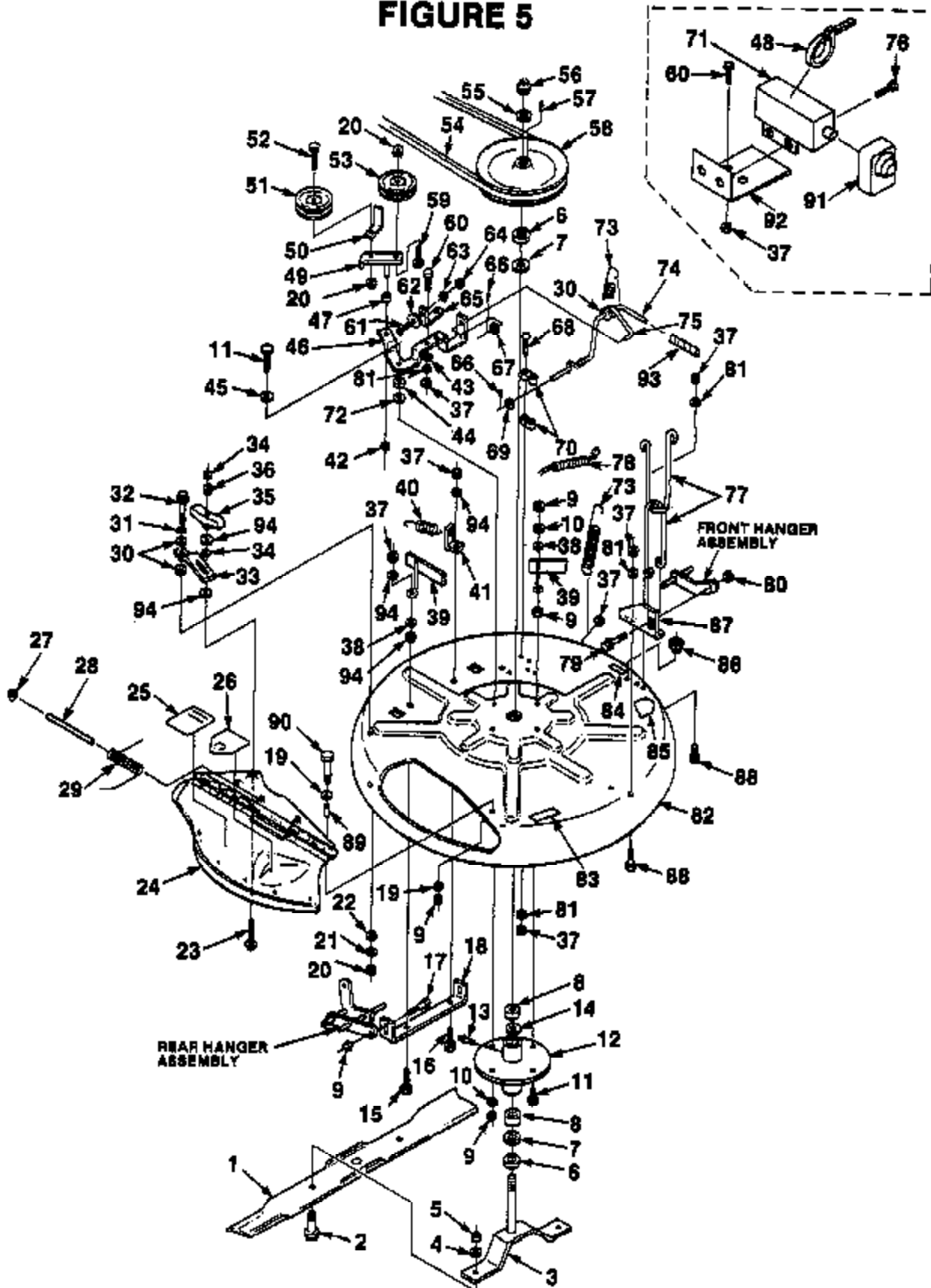
**FIGURE 4**



## PARTS LIST - FIGURE 4

NO.	PART NO.	DESCRIPTION	QTY.
1	JA-40010-8	BOLT- Hex centerlock 1/4-20 x .825	10
2	JA-99392-3	PANEL- Rear	1
3	JA-44813-0	WASHER- Lock 1/4-20	10
4	JA-44310-2	NUT- Hex	10
5	JA-40019-2	SCREW- Hex centerlock 5/16-18 x 1 1/2"	4
6	JA-35092-9	WASHER- Engine	12
7	JA-44471-8	NUT- Hex centerlock 5/16-18	4
8	JA-99296-6	SPACER	1
9	JA-99263-8	BELT- Transmission	1
10	JA-99403-2	ARM- Idler	1
11	JA-44813-6	WASHER- Lock 5/16"	1
12	JA-99489-1	NUT- Hex centerlock 5/16-18	1
13	JA-45301-1	WASHER- Plain 3/8"	3
14	JA-99288-7	KEY	1
15	JA-99281-7	PULLEY- Idler	1
16	JA-99278-8	PULLEY- Traction	1
17	JA-99435-3	GUIDE- Belt	1
18	JA-44814-2	WASHER- Lock 1/4"	1
19	JA-44475-2	NUT- Hex centerlock 1/4-20 x 1"	1
20	JA-99275-7	PULLEY- Deck	1
21	JA-99372-9	DISC- Belt guide	1
22	JA-99012-5	RETAINER- Clutch	1
23	JA-44814-8	WASHER- Lock 7/16"	1
24	JA-40037-8	BOLT- Hex centerlock 7/16-20 x 2"	1
25	JA-99393-3	PAN- Bottom	1
26	JA-99283-9	BELT- Mower deck	1
27	JA-35799-5	TROUGH	1
28	JA-99235-4	DECAL- Warning	1

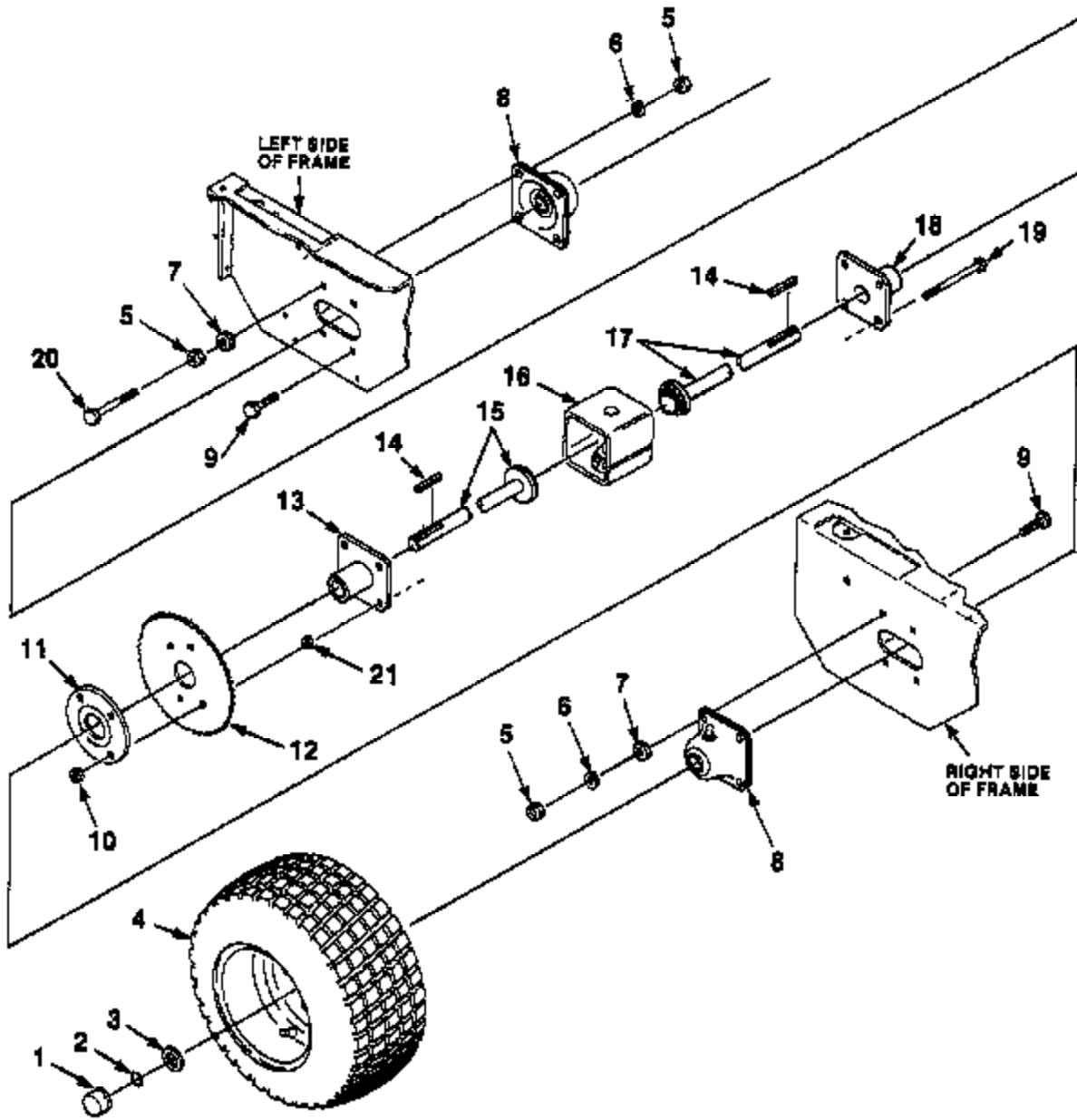
**FIGURE 5**



## PARTS LIST - FIGURE 5

NO.	PART NO.	DESCRIPTION	QTY.	NO.	PART NO.	DESCRIPTION	QTY.
1	JA-99165-9	BLADE- Hi-Lift	1	47	JA-99408-5	BUSHING	1
2	JA-40980-3	SCREW- Hex centerlock 1/2-13 x 1 1/4"	2	48	JA-47917-1	STA-STRAP	1
3	JA-99404-5	SPINDLE & ADAPTOR	1	49	JA-99429-4	IDLER- Pivot	1
4	JA-44816-4	WASHER- Lock 1/2"	2	50	JA-99435-3	GUIDE- Bell	1
5	JA-44475-8	NUT- Hex centerlock 1/2-13	2	51	JA-99375-2	PULLEY- Idler	1
6	JA-99148-7	SPACER	2	52	JA-40026-5	SCREW- Hex centerlock 3/8-18 x 1 3/4"	1
7	JA-45505-5	WASHER- Flat	2	53	JA-99222-2	PULLEY- Idler	1
8	JA-97589-2	BEARING	2	54	JA-99253-9	BELT- Mower Deck	1
9	JA-44471-8	NUT- Hex centerlock 5/16-18	9	55	JA-45302-2	WASHER	1
10	JA-44513-8	WASHER- Lock 5/16"	4	56	JA-44575-3	NUT- Hex lock	1
11	JA-40019-2	SCREW- Hex centerlock 5/16-18 x 1 1/2"	4	57	JA-92125-2	KEY	1
12	JA-99404-5	SPINDLE HOUSING	1	58	JA-93002-3	PULLEY- Spindle	1
13	JA-47123-6	FITTING- Lubrication	1	59	JA-44012-4	BOLT- Carriage 3/8-18 x 1 3/4"	1
14	JA-99298-7	SPACER- Bearing	1	60	JA-40010-8	SCREW- Hex centerlock 1/4-20 x 3/4"	6
15	JA-40011-4	SCREW- Hex centerlock 1/4-20 x 1 1/4"	1	61	JA-40991-0	SCREW- Truss hd. 10-24 x 1/2"	1
16	JA-40011-0	SCREW- Hex centerlock 1/4-20 x .575	1	62	JA-95417-5	PAD- Brake	1
17	JA-35448-0	BOLT- Shoulder 5/16-18	2	63	JA-45300-2	WASHER- Plain #10	2
18	JA-99060-5	BRACKET- Rear lift	1	64	JA-44475-2	NUT- Hex centerlock #10-24	1
19	JA-45300-2	WASHER- Plain 3/8"	2	65	JA-99371-8	BRACKET- Brake pad	1
20	JA-44475-2	NUT- Hex centerlock 3/8-18	3	66	JA-48002-8	PIN- Cotter	2
21	JA-44814-0	WASHER- Lock 3/8"	1	67	JA-46301-1	WASHER- Plain 3/8"	1
22	JA-45200-3	WASHER- Plain 3/8"	1	68	JA-44005-0	BOLT- Carriage 1/4-20 x 1 1/2"	4
23	JA-44186-8	BOLT- Carriage 1/4-20 x 1 1/4"	1	69	JA-31274-6	WASHER- Plain	1
24	JA-99361-8	PLATE & COVER Includes:	1	70	JA-99279-6	BEARING	4
25	JA-99121-7	DECAL- Door	1	71	JA-99422-3	SWITCH- Deck	1
26	JA-93946-0	DECAL- CPSC	1	72	JA-45303-2	WASHER- Plain	1
27	JA-44551-8	NUT- Pal	2	73	JA-99336-4	SPRING- Extension	1
28	JA-99170-3	ROD- Deck hinge	1	74	JA-99489-3	LEVER- P.T.O.	1
29	JA-99170-1	SPRING- Torsion	1	75	JA-99404-3	ROD- Link	1
30	JA-45301-7	WASHER- Plain	3	76	JA-41890-8	SCREW- Tap/bite	2
31	JA-45402-0	WASHER- Spring	1	77	JA-99021-9	LINK- Lift	2
32	JA-37509-4	BOLT- Shoulder	1	78	JA-99211-9	COVER- Cable	1
33	JA-99161-9	ARM- Pivot	1	79	JA-99213-5	BOLT- Shoulder 3/8-18 Includes:	1
34	JA-44527-2	WASHER- Speed	2	80	JA-44465-0	NUT- 3/8-18	1
35	JA-33955-0	KNOB- Handle	1	81	JA-44813-0	WASHER- Lock 1/4"	8
36	JA-44576-4	NUT- Hex 1/4-20	1	82	JA-99157-2	DECK- 30" Includes:	1
37	JA-44470-8	NUT- Hex centerlock 1/4-20	14	83	JA-99432-6	DECAL- Warning	1
38	JA-45200-8	WASHER- Flat 5/16"	3	84	JA-93956-6	DECAL- No step	1
39	JA-99429-3	GUIDE- Belt	1	85	JA-93946-0	DECAL- CPSC	1
40	JA-99416-7	SPRING- Extension	1	86	JA-97597-7	PLUG- Washout	1
41	JA-99180-5	BRACKET- Damper	1	87	JA-99429-5	BRACKET- Front lift	1
42	JA-45803-6	RING- Retainer	1	88	JA-40010-6	SCREW- Hex centerlock 1/4-20 x 5/8"	2
43	JA-45302-3	WASHER- Plain	2	89	JA-99174-4	SPACER	1
44	JA-99150-4	SPACER	1	90	JA-40016-2	SCREW- Hex center lock 5/16-18 x 5/8"	1
45	JA-99022-6	WASHER- Engine	1	91	JA-99422-4	SWITCH- Boot	1
46	JA-99265-7	BRAKE/CLUTCH- Lever	1	92	JA-99475-9	BRACKET- Deck switch	1
				93	JA-99319-1	COVER- Lift handle	1
				94	JA-45200-4	WASHER- Plain 1/4"	7

**FIGURE 6**

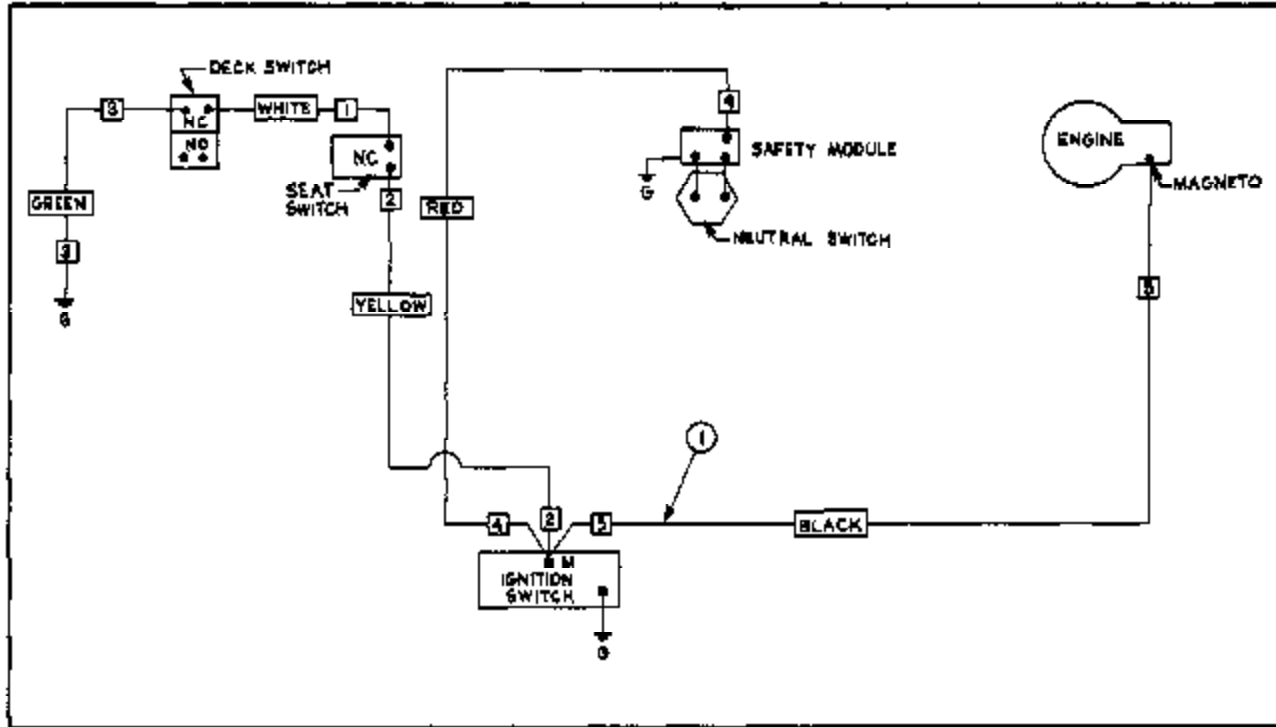


## PARTS LIST - FIGURE 6

NO.	PART NO.	DESCRIPTION	QTY.
1	JA-37609-0	CAP- Hub	2
2	JA-45809-8	RING- Retaining	2
3	JA-31382-0	SPACER	A/R
4	JA-26380-4	WHEEL & TIRE	2
5	JA-44311-0	NUT- Hex 3/8-16	9
6	JA-44814-2	WASHER- Lock 3/8"	8
7	JA-45901-1	WASHER- Plain 3/8"	8
8	JA-99265-4	BEARING	2
9	JA-40026-2	SCREW- Hex centerlock 3/8-16 x 1"	7
10	JA-44476-2	NUT- Hex centerlock 3/8-16	4
11	JA-99023-3	SPACER	1
12	JA-99098-2	SPROCKET	1
13	JA-99023-4	CAP & BEARING (R.H.)	1
14	JA-31051-1	KEY	2
15	JA-99130-4	AXLE- R.H. w/gear	1
16	JA-99023-1	HOUSING & GEAR	1
17	JA-99130-3	AXLE- L.H. w/gear	1
18	JA-99023-5	CAP & BEARING (L.H.)	1
19	JA-99024-1	SCREW- Hex 5/16-18 x 4"	4
20	JA-40027-2	SCREW- 3/8-16 x 2 1/4"	1
21	JA-99130-5	NUT- Hex jam	4

**FIGURE 7**

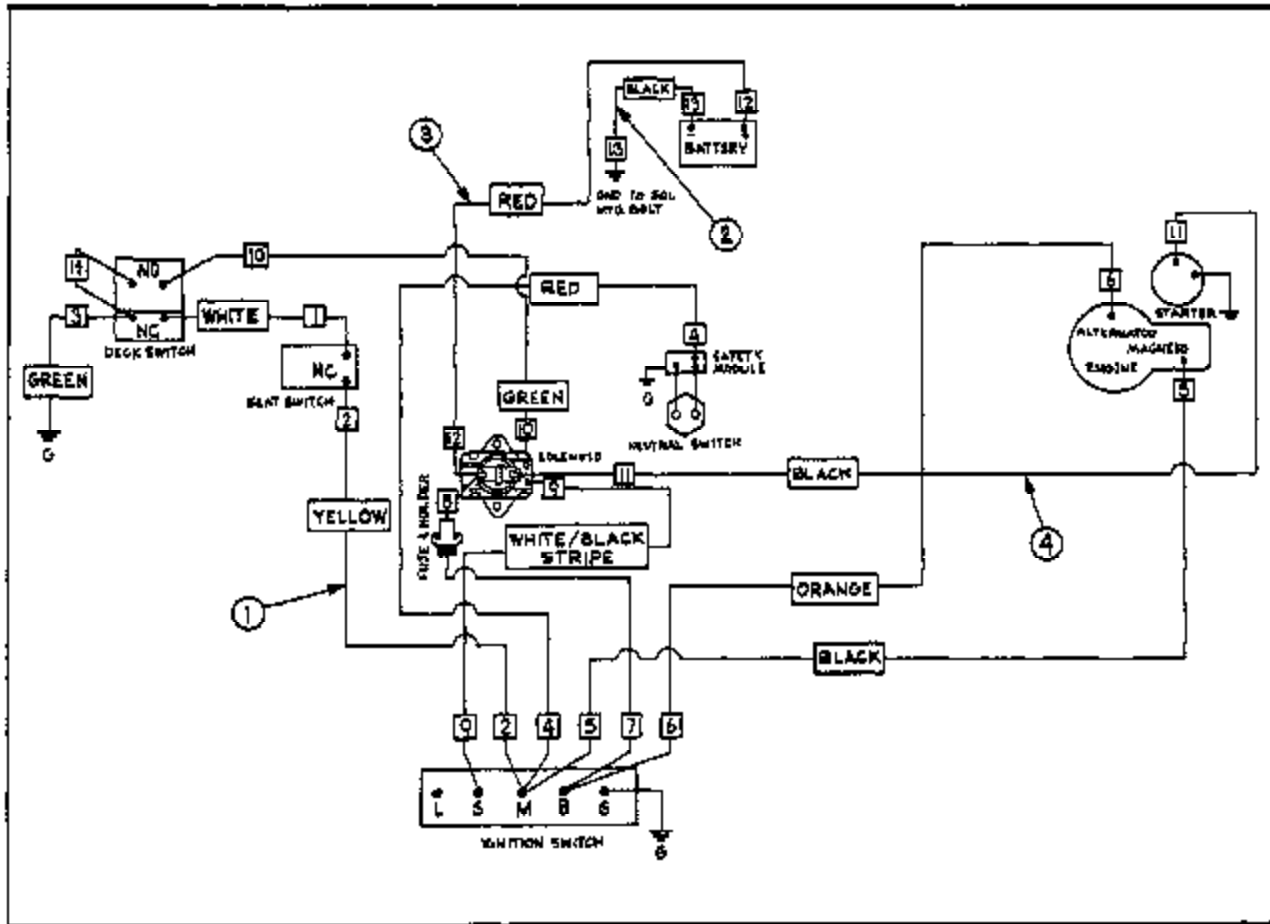
**WIRING DIAGRAM  
8 H.P. MANUAL START**



NO.	DESCRIPTION	PART NO.	QTY.
1	WIRE HARNESS	JA-09422-5	1

**FIGURE 8**

**WIRING DIAGRAM  
8 H.P. AND 12 H.P. ELECTRIC START**



NO.	DESCRIPTION	PART NO.	QTY.
1	WIRE HARNESS	JA-99422-6	1
2	BATTERY CABLE- Ground	JA-99350-8	1
3	BATTERY CABLE	JA-99219-9	1
4	STARTER CABLE	JA-99220-1	1