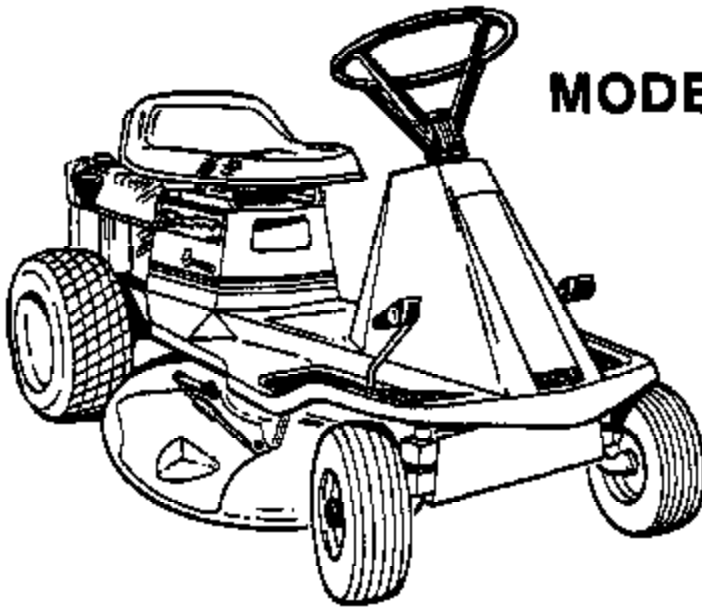


PARTS LIST

RIDING MOWERS



MODELS: RMX8
UT32016A
RMX8E
UT32017B
RMX11E
UT32018A

HOMELITE®

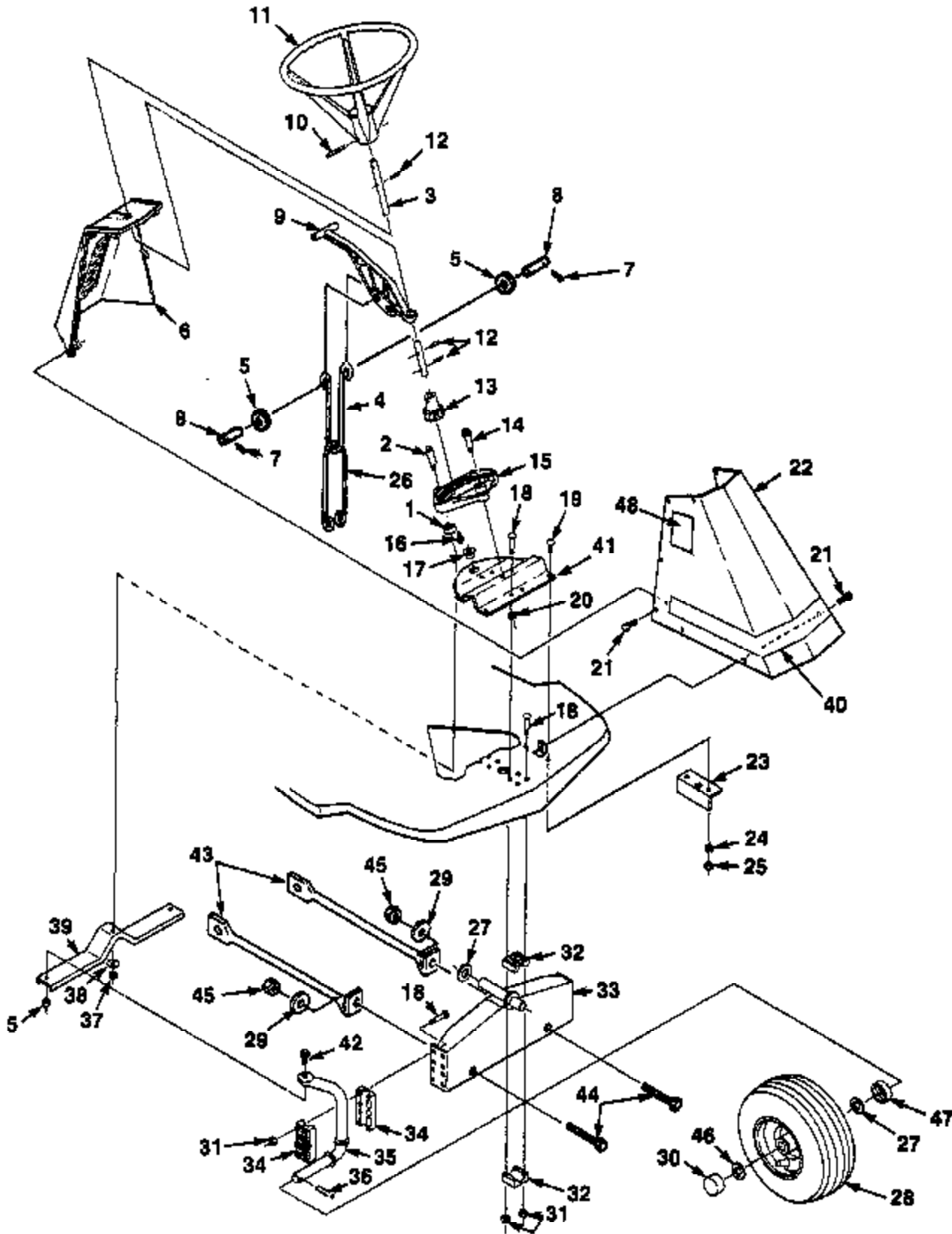
⚠ WARNING

IF INCORRECTLY USED THIS MACHINE CAN CAUSE SEVERE INJURY. THOSE WHO USE AND MAINTAIN THE MACHINE SHOULD BE TRAINED IN ITS PROPER USE, WARNED OF ITS DANGERS, AND SHOULD READ THE ENTIRE MANUAL BEFORE ATTEMPTING TO SET UP, OPERATE, ADJUST OR SERVICE THE MACHINE.

PARTS LIST - FIGURE 1

REF. NO.	PART NO.	QTY.	DESCRIPTION	REF. NO.	PART NO.	QTY.	DESCRIPTION
1	JA-44310-2	9	NUT-Hex 1/4-20	38	JA-33951-4	1	FOOT REST (right hand)
2	JA-44612-8	3	WASHER-Lock	39	JA-40014-8	1	SCREW- Hex hd. 1/4-28 x .750
3	JA-45200-4	5	WASHER- Flat 1/4	40	JA-99181-3	1	BRACKET- Seat switch
4	JA-40010-6	12	BOLT- 1/4-20 x .625	41	JA-99183-9	1	SPRING- Flat (shift yoke)
5	JA-99108-3	1	BRACKET- Chain guard	42	JA-99184-3	1	SPRING- Flat (shift yoke)
6	JA-99151-3	1	SWITCH- Seat	43	JA-99184-8	1	BRACKET- Pivot
7	JA-99116-2	2	BRACKET	44	JA-40010-8	2	SCREW- Hex cap
8	JA-89157-5	1	PLATE- Reinforcement	45	JA-99200-7	1	RETAINER- Spring
9	JA-40018-4	7	BOLT- 5/16-18 x .750	46	JA-40018-4	1	SCREW
10	JA-99003-9	2	SEAT RAIL	47	JA-99184-7	1	GEARSHIFT LEVER
11	JA-12407-2	1	SEAT	48	JA-44813-4	1	LOCKWASHER
12	JA-99120-8	1	BRACKET- Seat	49	JA-40391-0	2	SCREW
13	JA-44813-4	2	WASHER- Lock 5/16	50	JA-45200-2	4	WASHER
14	JA-44471-8	2	NUT- Centerlock hex 5/16-18	51	JA-99013-6	1	SWITCH- P.T.O.
15	JA-37543-1	2	BOLT- Shoulder 5/16-18 hex	52	JA-99184-5	1	KNOB- Shift lever
16	JA-45300-9	3	WASHER- Plain 5/16	53	JA-38258-3	1	TRANSMISSION PULLEY
17	JA-44613-4	7	WASHER- Lock 5/16	54	JA-45800-9	1	RING- Snap
18	JA-44310-6	3	NUT- 5/16-18 hex	55	JA-99118-5	1	BOLT- 1/4-20 x 3/4
19	JA-99203-6	1	DECAL- R.H.	56	JA-99108-8	1	ANGLE- Short
	JA-99203-7	1	DECAL- L.H.	57	JA-99116-6	1	ANGLE- Long
20	JA-99183-6	1	BRACKET- Battery (RMX8E & RMX11E)	58	JA-40010-8	1	BOLT- 1/4-20 x 3/4
21	JA-99253-7	1	TOWER- Seat	59	JA-46301-7	1	KEY- Transmission
22	JA-99209-8	1	THROTTLE CONTROL & CABLE	60	JA-99097-6	1	TRANSMISSION- Peerless Tecumseh
23	JA-34308-0	1	KEY- Ignition	61	JA-99073-9	1	Chain- Drive
24	JA-54984-3	1	NUT- Ignition switch	62	JA-47050-3	1	CONNECTING LINK- Chain
25	JA-44722-4	1	WASHER- Ignition switch	63	JA-99096-1	1	SWITCH- Neutral safety
26	JA-99658-0	1	SOLENOID- Switch (RMX8E & 11E)	64	JA-99107-7	1	NEUTRAL START SAFETY INTERLOCK
27	JA-44380-2	4	NUT (RMX8E & RMX11E) (Lead 1/4-20)	65	JA-99116-8	1	FRAME
28	JA-44430-8	4	NUT (RMX8E & RMX11E) (Hex 8-32)	66	JA-99210-3	1	DECAL- Control Manual (RMX8M)
29	JA-99185-7	1	BATTERY (RMX8E & RMX11E)		JA-99210-4	1	DECAL- Ignition Switch (RMX8E & RMX11E)
30	JA-99150-7	1	BATTERY PAD (RMX8E & RMX11E)	67	JA-99223-8	1	DECAL- Instruction
31	JA-33851-3	1	FOOT REST (left hand)	68	JA-99073-8	1	BELT- Transmission
32	JA-13068-6	1	IGNITION SWITCH (RMX8M) (Incl. 23, 24, and 25)	69	JA-99201-3	1	PLATE
	JA-13041-2	1	IGNITION SWITCH (RMX8E & RMX11E) (Incl. 23, 24, and 25)	70	JA-99144-2	1	SPRING
33	JA-35926-6	1	SPRING- Torsion	71	JA-44478-2	4	NUT
34	JA-44381-2	1	NUT- Hex jam	72	JA-99220-1	1	CABLE- Ground
35	JA-37598-7	1	KNOB	73	JA-99219-9	1	CABLE- Battery
36	JA-37585-9	1	LATCHING- Parking brake	74	JA-40374-4	2	SCREW
37	JA-33856-6	2	FOOT PAD	75	JA-46136-3	1	PIN

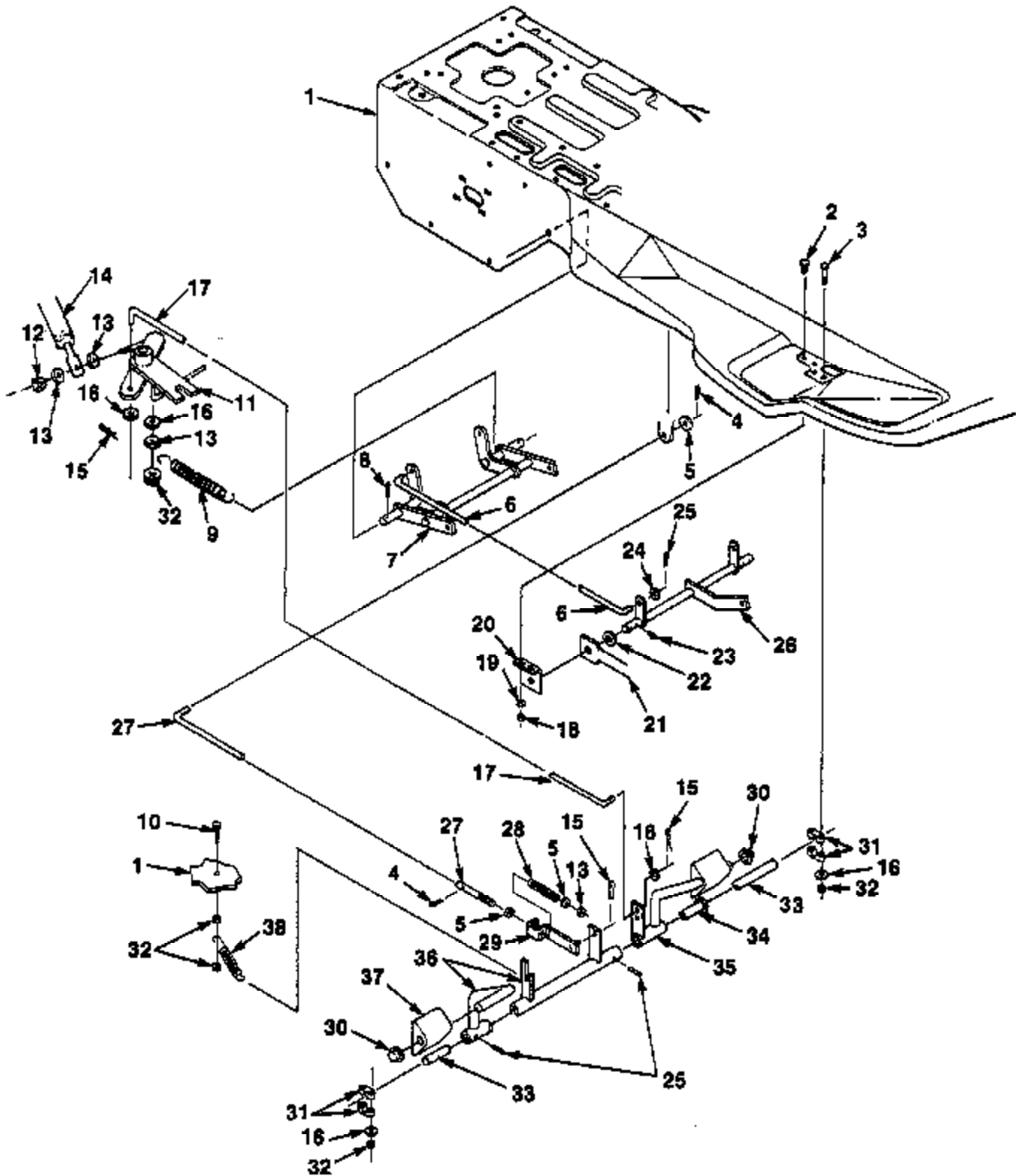
FIGURE 2



PARTS LIST - FIGURE 2

REF. NO.	PART NO.	QTY.	DESCRIPTION
1	JA-37583-5	1	BUSHING- Ball
2	JA-37586-7	1	STUD- Steer
3	JA-37580-2	1	SHAFT
4	JA-99021-9	1	LINK- Lift
5	JA-45301-7	2	WASHER- Flat 1/2"
6	JA-99150-1	1	PANEL- Console
7	JA-48002-6	2	PIN- Cotter
8	JA-99042-9	1	PIN- Retainer
9	JA-33000-1	1	HANDLE- Lift
10	JA-46139-3	1	PIN
11	JA-33814-6	1	WHEEL- Steering
12	JA-46134-6	3	PIN
13	JA-33948-6	1	PINION- Steering
14	JA-37500-7	1	BOLT- Shoulder 3/8-16 x .125
15	JA-22982-2	1	SECTION- Steering
16	JA-40980-7	1	SCREW 1/4-20 x 1/2
17	JA-35413-0	1	BUSHING
18	JA-44005-2	16	BOLT- 1/4-20 x 1 3/4 carr.
19	JA-44160-6	4	BOLT- 1/4-20 x 3/4 Carr. Sq. Nk.
20	JA-44478-2	1	NUT- 3/8-16 C'lock
21	JA-37587-8	12	BOLT- 1/4-14 x .44 Swadge form
22	JA-99005-5	1	SUPPORT- Steering
23	JA-37601-0	2	BRACKET
24	JA-44613-0	8	WASHER- Lock 1/4
25	JA-44310-2	8	NUT- 1/4-20 hex
28	JA-89026-9	1	LINK- Lower lift
27	JA-45302-2	5	WASHER- Flat 3/16
28	JA-89207-2	2	WHEEL & TIRE
29	JA-45301-1	3	WASHER- Plain (Flat 13/32)
30	JA-34887-7	2	CAP- Hub
31	JA-44470-8	16	NUT- 1/4-20 hex c'lock
32	JA-33948-2	4	BEARING
33	JA-99001-5	1	AXLE- Front
34	JA-33948-5	4	BEARING
35	JA-99546-0	1	SPINDLE- L.H. Wheel
	JA-99544-0	1	SPINDLE- R.H. Wheel
36	JA-48141-8	2	PIN
37	JA-44577-6	1	NUT- C'Locking-hex 3/8-24
38	JA-45301-1	1	WASHER- Flat 3/8
39	JA-39282-9	1	BRACKET- Steering
40	JA-99098-3	1	DECAL- Product Identification
41	JA-39262-3	1	BRACKET- Reinforcement
42	JA-36448-0	2	BOLT
43	JA-89060-7	2	SUPPORT- Frame axle
44	JA-40025-6	2	BOLT- 3/8-16 x 5/8
45	JA-44478-2	2	NUT 3/8-16 C'Lock
46	JA-44505-4	2	WASHER
47	JA-37541-1	2	WASHER- Dust
48	JA-99221-7	1	DECAL- (8 H.P.)
	JA-99221-8	1	DECAL- (11 H.P.)

FIGURE 3



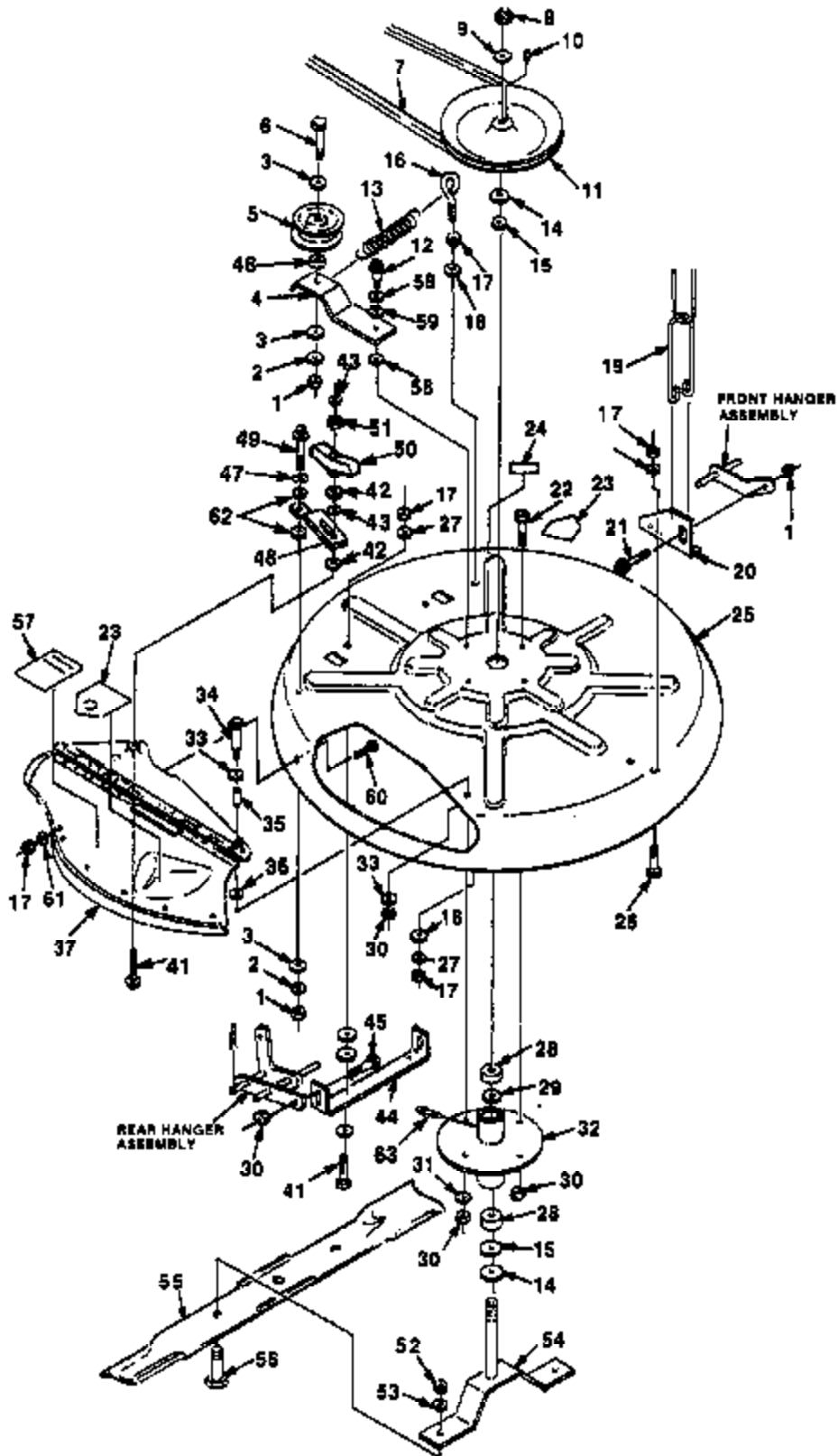
PARTS LIST - FIGURE 3

REF. NO.	PART NO.	QTY.	DESCRIPTION
1	JA-99116-8	1	FRAME
2	JA-44186-4	4	BOLT- Carr. 1/4-20 x 5/8
3	JA-44005-0	4	BOLT- 1/4-20 x 1 1/2
4	JA-46001-6	2	PIN- Cotter
5	JA-46300-9	2	WASHER- 5/16 Plain
6	JA-99115-8	2	ROD- Deck lift
7	JA-99116-3	1	BRACKET- Rear hanger
8	JA-46030-6	2	PIN- Cotter
9	JA-37608-8	1	SPRING- Extension
10	JA-40010-6	1	SCREW- 1/4-20 x .625
11	JA-99114-8	1	ARM- Pivot
12	JA-45300-9	2	WASHER
13	JA-44471-8	2	NUT
14	JA-99144-4	1	DAMPER
15	JA-46000-8	4	PIN- Cotter
16	JA-45200-4	8	WASHER- 1/4"
17	JA-99167-3	1	ROD- Clutch
18	JA-44310-2	4	NUT- 1/4-20
19	JA-44613-0	4	WASHER- Lock 1/4
20	JA-37591-6	2	BRACKET
21	JA-99050-7	2	SUPPORT- Front axle
22	JA-45301-7	2	WASHER- Flat 7/16
23	JA-46021-2	2	PIN- Cotter
24	JA-45200-8	4	WASHER- Flat 7/16
25	JA-46134-6	3	PIN- Cotter
26	JA-99116-4	1	HANGER- Front
27	JA-99115-6	1	ROD- Brake
28	JA-37612-1	1	SPRING- Brake
29	JA-18198-9	1	BRACKET- Brake spring
30	JA-37581-1	2	NUT- Push
31	JA-39946-1	4	BEARING
32	JA-44470-8	5	NUT- Centerlock hex 1/4-20
33	JA-99115-7	1	PEDAL SHAFT
34	JA-99055-0	1	BUSHING
35	JA-99115-9	1	PEDAL- Clutch
36	JA-99115-6	1	PEDAL- Brake
37	JA-34502-0	2	PEDAL- Rubber
38	JA-99088-5	1	SPRING

PARTS LIST - FIGURE 4

REF. NO.	PART NO.	QTY.	DESCRIPTION
1	JA-40018-2	3	SCREW- 5/16-18 x 1 1/2
2	JA-35092-9	8	WASHER- 6/16
3	JA-44310-2	7	NUT- 1/4-20 Hex
4	JA-44613-0	8	WASHER- 1/4
5	JA-30699-8	1	KEY- 1/4 x 1/4 x 1
6	JA-44471-8	5	NUT- Lock 5/16 x 18
7	JA-99255-3	1	ENGINE- (RMX8M)
	JA-99255-2	1	ENGINE- (RMX8E)
	JA-99255-1	1	ENGINE- (RMX11E)
8	JA-99108-8	1	PANEL- Rear
9	JA-40018-4	5	BOLT- 5/16-18 x 3/4
10	JA-40010-6	16	SCREW- 1/4-20 x 5/8
11	JA-99215-5	2	TUBE- Catcher Support
12	JA-33958-9	1	DECAL- (Hot Muffler)
13	JA-44612-8	1	WASHER
14	JA-99180-6	1	BRACKET
15	JA-40019-4	1	BOLT- 5/16-18 x 1 3/4
16	JA-40026-6	1	BOLT- 3/8-18 x 5 1/2
17	JA-45200-8	9	WASHER- 3/8 flat
18	JA-44310-8	8	NUT- Hex 1/4-20
19	JA-45300-9	2	WASHER- Flat 5/16
20	JA-40010-8	3	BOLT- 1/4-20 x .750
21	JA-44613-4	2	WASHER- Lock 5/16
22	JA-45200-4	8	WASHER- Flat 1/4
23	JA-99118-6	1	GUIDE- Belt
24	JA-40026-8	1	BOLT- 3/8-18 x 1 3/4
25	JA-99114-7	1	PULLEY- Engine
26	JA-99114-8	1	PULLEY- Idler
27	JA-99114-5	1	PULLEY- Idler
28	JA-99073-3	2	BEARING- Flange
29	JA-99114-6	1	ARM- Pivot
30	JA-44478-2	3	NUT- Hex Centerlock 3/8-16
31	JA-99097-9	1	PIN- Clutch torque
32	JA-99073-2	1	SPACER
33	JA-99118-7	2	SUPPORT- Frame
34	JA-99270-0	2	RETAINER & BEARING
35	JA-45200-4	8	WASHER- Lock 1/4 hvy
36	JA-44470-8	12	NUT- Centerlock hex 1/4-20
37	JA-99114-4	1	BRACKET
38	JA-44160-6	2	BOLT- Rd. hd. carr. 1/4-20 x .750
39	JA-99108-5	1	PAN- Bottom
40	JA-40038-4	1	BOLT- Hex hd. 7/16-20 x 2 3/4
41	JA-44614-8	1	WASHER- Lock 7/16
42	JA-99012-8	1	CLUTCH RETAINER
43	JA-99105-8	1	CLUTCH- Warner
	JA-99087-7	1	CLUTCH- Agura
44	JA-99089-9	1	DECAL- 9 H.P.
	JA-99100-1	1	DECAL- 11 H.P.
	JA-37599-5	1	THROUGH (not shown)
45	JA-99216-9	1	HEAT SHIELD (RMX11E)
46	JA-99142-7	1	GROMMET

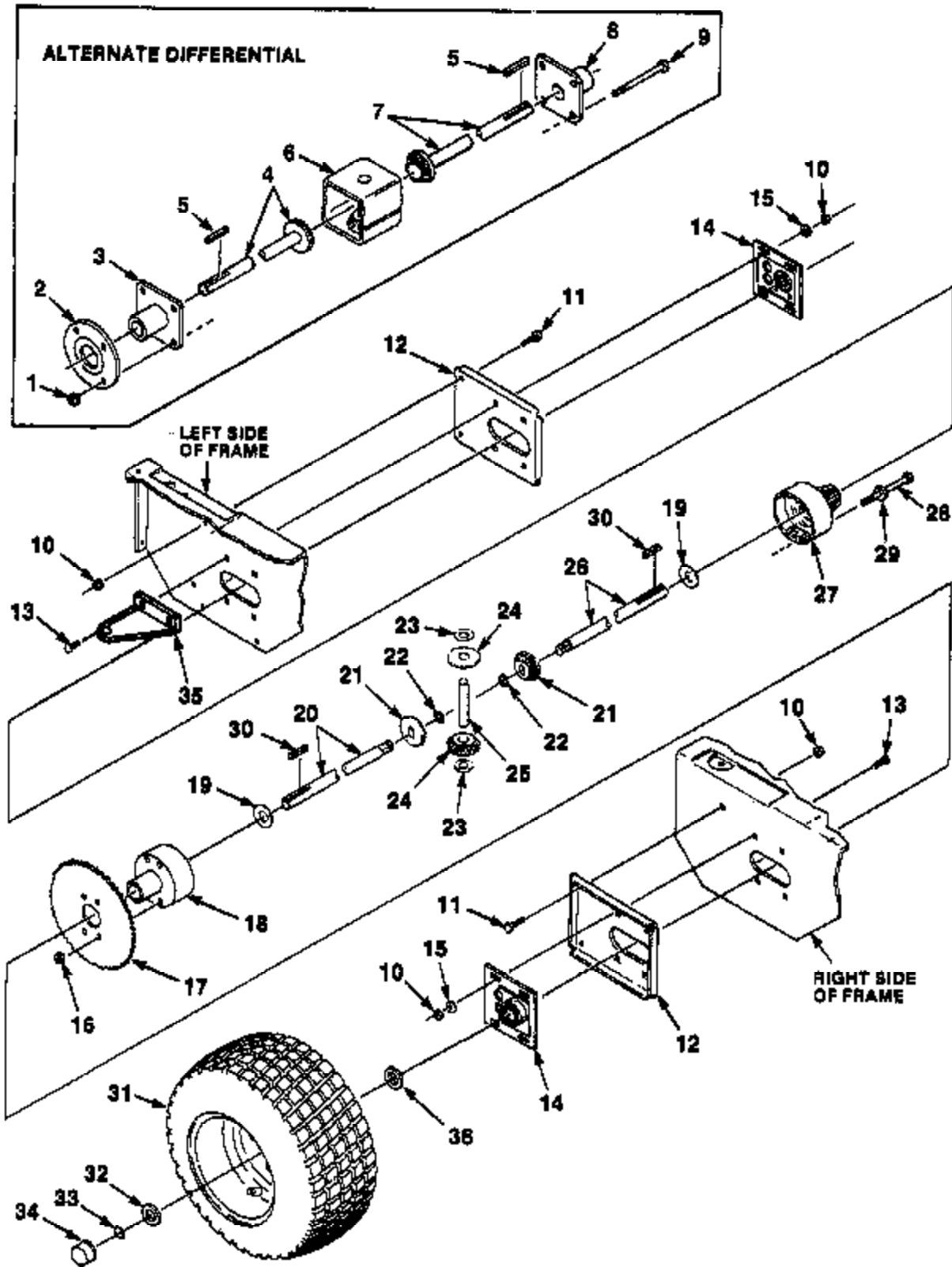
FIGURE 5



PARTS LIST - FIGURE 5

REF. NO.	PART NO.	QTY.	DESCRIPTION	REF. NO.	PART NO.	QTY.	DESCRIPTION
1	JA-44476-2	2	NUT- Hex centerlock 3/8-16	34	JA-40018-2	1	SCREW
2	JA-44614-0	2	WASHER- Lock 3/8	35	JA-89174-4	1	SPACER
3	JA-45200-8	3	WASHER- Flat 7/16	36	JA-45301-1	1	WASHER- Flat 3/8
4	JA-89159-8	1	ARM- Pivot	37	JA-89171-8	1	PLATE COVER ASSEMBLY
5	JA-89116-1	1	PULLEY- Idler	41	JA-40010-8	2	SCREW- Cap hex hd 1/4-20 x .750
6	JA-40027-4	1	SCREW	42	JA-45200-4	2	WASHER- Plain
7	JA-99148-8	1	BELT	43	JA-44627-2	2	WASHER
8	JA-44578-3	1	NUT- Hex locking	44	JA-89029-1	1	BRACKET- Rear lift
9	JA-45302-2	1	WASHER- Flat 13/16	45	JA-35448-0	4	BOLT- Shoulder 5/16 x 18
10	JA-32129-2	1	KEY- 3/16 x 1.00	46	JA-89222-9	1	SPACER
11	JA-33002-3	1	PULLEY- Spindle	47	JA-45402-0	1	WASHER- Spring
12	JA-40019-0	1	SCREW- Cap hex hd 5/16-18 x 1.250	48	JA-99151-9	1	ARM- Pivot
13	JA-99153-2	1	SPRING- Extension	49	JA-37809-4	1	BOLT- Hex hd cap 1/4-20 x .625
14	JA-99149-7	2	SPACER- .100 Thick	50	JA-33966-0	1	KNOB
15	JA-45806-6	2	WASHER- .038 Thick	51	JA-44578-4	1	NUT- Hex 1/4-20 hvy
16	JA-35463-2	1	BOLT- Eye	52	JA-44476-8	1	NUT- Hex centerlock 1/2-13
17	JA-44470-8	6	NUT- Centerlock 1/4-20	53	JA-44615-4	2	WASHER- Lock 1/2
18	JA-45602-4	2	WASHER- Flat 1/4	54	JA-99159-7	1	SPINDLE & ADAPTER
19	JA-89026-8	1	LINK- Lower front lift	55	JA-89186-8	1	BLADE
20	JA-33948-2	1	BRACKET- Front lift	58	JA-40880-3	2	SCREW- Cap hex hd 1/2-13 x 1.25
21	JA-37600-7	1	BOLT- Shoulder 3/8-18 x 2.125	57	JA-33952-4	1	DECAL- Danger
22	JA-40018-4	2	SCREW- Cap hex hd 5/16-18 x .750	59	JA-45303-2	2	WASHER- Idler arm
23	JA-33946-0	2	DECAL- CPSC Warning	59	JA-99150-4	1	SPACER- Idler arm
24	JA-33956-6	1	DECAL- No step	80	JA-40011-2	1	SCREW- 1/4-20 x 1"
25	JA-99157-2	1	DECK- Cutter 30"	81	JA-45302-3	1	WASHER- Flat 1/4
26	JA-40010-6	2	SCREW- Cap hex hd. 1/4-20 x .625		JA-99186-8	1	BLADE-Sand (optional)
27	JA-44613-0	5	WASHER- Lock 1/4		JA-99166-1	1	BLADE- Normal lift (optional)
28	JA-89176-5	2	BEARING- Outer shaft	62	JA-45504-9	2	WASHER- Flat
29	JA-37607-6	1	SPACER- Bearing	63	JA-47123-8	1	FITTING
30	JA-4471-8	4	NUT- Hex centerlock 5/16-18				
31	JA-44613-6	1	WASHER- Lock 5/16				
32	JA-99159-8	1	SPINDLE HOUSING				
33	JA-45300-8	2	WASHER- 5/16 SAE				

FIGURE 6
DIFFERENTIAL AND GEARBOX

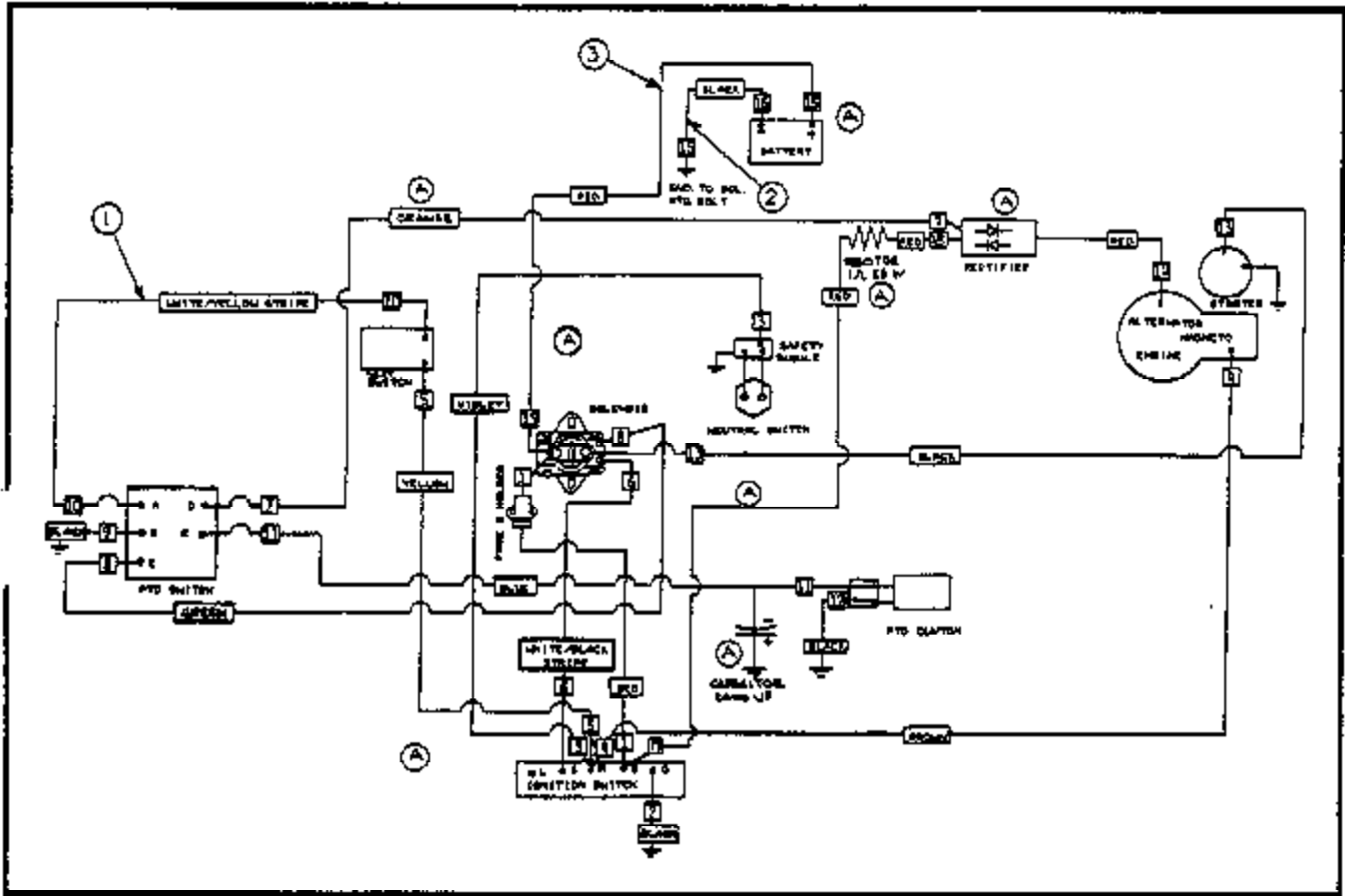


PARTS LIST - FIGURE 6

REF. NO.	PART NO.	QTY.	DESCRIPTION
1	JA-99130-8	1	DIFFERENTIAL ASSEMBLY (Stewart #B573) (Incl. #s 1-8)
1	JA-99130-5	4	NUT- Hex
2	JA-99023-3	1	SPACER- Differential
3	JA-99023-4	1	CAP & BEARING (R.H.)
4	JA-99130-4	1	AXLE- R.H. w/Gear
5	JA-31061-1	2	KEY (not part of differential)
6	JA-99023-1	1	HOUSING & GEAR
7	JA-99130-3	1	AXLE- L.H. w/Gear
8	JA-99023-6	1	CAP & BEARING (L.H.)
9	JA-99024-1	4	SCREW- Hex 5/16-18 x 4
10	JA-44470-8	12	NUT- 1/4-20 lock
11	JA-40010-8	8	SCREW 1/4-20 x 5/8
12	JA-99118-7	2	SUPPORT- Frame
13	JA-44160-8	8	BOLT- 1/4 x 3/4
14	JA-99270-0	2	RETAINER & BEARING
15	JA-45200-4	8	WASHER
16	JA-44476-2	4	NUT- Centerlock 3/8-16
17	JA-99099-2	1	SPROCKET- 48 tooth
	JA-99130-7	1	DIFFERENTIAL (Pairless 774496) (Incl. #s 18-20)
18	JA-99020-7	1	HOUSING- L.H. Gear
19	JA-99134-9	2	WASHER
20	JA-99134-9	1	AXLE-Short
21	JA-99018-8	2	GEAR- Bevel
22	JA-99020-5	2	RING- Snap
23	JA-99019-9	2	WASHER- Thrust
24	JA-99020-2	2	GEAR- Pinion
25	JA-99020-1	1	PIN- Drive
26	JA-99134-8	1	AXLE- Long
27	JA-99020-6	1	GEAR HOUSING- R.H.
28	JA-40375-4	4	SCREW- Mach hex hd.
29	JA-99020-3	4	WASHER
30	JA-31061-1	2	KEY
31	JA-99062-5	2	TIRE & HUB [rear]
32	JA-31382-0	4	SPACER- Axle
33	JA-45803-8	2	RING- Retaining
34	JA-37609-0	2	CAP- Hub
35	JA-99114-4	1	BRACKET
36	JA-45605-6	2	WASHER- Flat

FIGURE 8

**WIRING DIAGRAM
8HP AND 11HP ELECTRIC START**



NO.	DESCRIPTION	PART NO.	QTY.
1	WIRE HARNESS	JA-99193-8	1
2	BATTERY CABLE- Ground	JA-99220-1	1
3	BATTERY CABLE	JA-99219-9	1