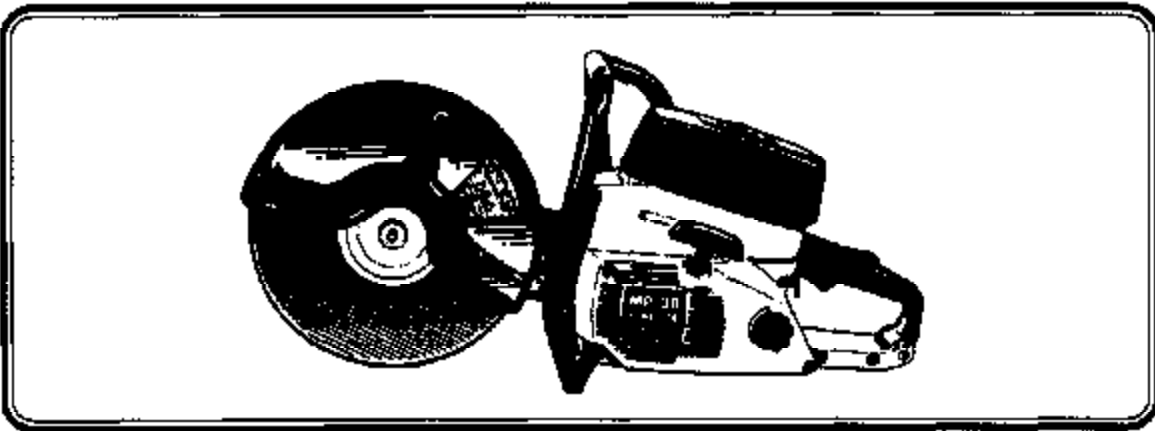


Homelite®

PARTS LIST



MP38 W/12"

UT05078

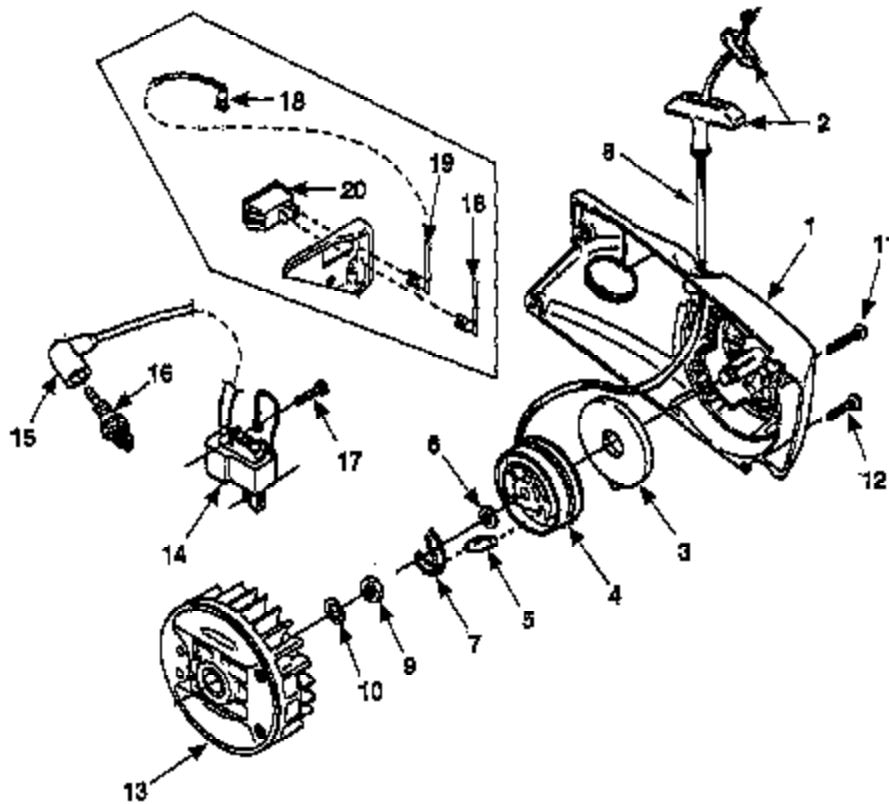
MP38 W/14"

UT05079

MP38I

UT05081

STARTER-IGNITION



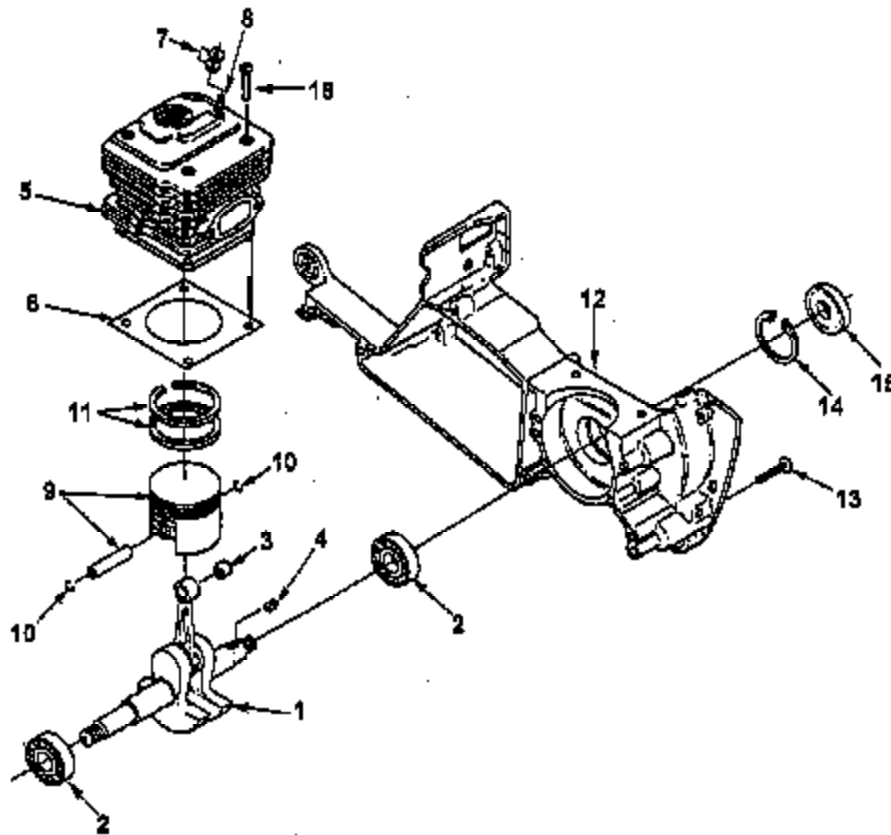
No.	Part No.	Description	Qty.
1	A 03854 A	STARTER (Complete)	1
2	A 89882 B	GRIP-Starter (w/insect)	1
3	A 97908	SPRING & CONTAINER	1
4	A 03892	PULLEY ASSEMBLY	1
5	D1274	WASHER-Thrust	1
6	88332 A	PAWL-Starter	1
7	03760 B	CLIP-Retainer	1
8	PS 97500	ROPE-Starter (45')	1
9	81124 A	NUT-Jam (3/8 - 24)	1
10	89192	WASHER-Lock (3/8")	1
11	82556	SCREW-Truss Hd. (10-24 x 1 1/4")	1
12	UP 03889	SCREW (10-24 x 3/4")	3
	UP 08701	IGNITION MODULE KIT	1
13	UP 08630	ROTOR	1
14	UP 08621	IGNITION MODULE	1
15	A 02627	SPARK PLUG BOOT KIT	1
16	UP 04093	SPARK PLUG (RCJ6Y) (Resistor)	1
17	UP 04088	SCREW-Pan Hd. (8-32 x 5/8")	2
18	A 03556	GROUND WIRE	1
19	A 02864	IGNITION GROUND WIRE	1
20	D1802	SWITCH	1

Item No.	Inv.Lbs	Torque Specs N/m	Required Locs/Its
8	228	25.4	
11	55	8.2	
12	55	8.2	
18	120-180	13.8-20.3	
17	20	2.2	RED 262

Warranty Flat Rate		
Job	Description	Time/Hr.
CA11	Solid State Module	.4
CA12	Ground Lead	.3
CA13	Hi-Tension Lead	.3
CG10	Starter Assembly	.3
CG11	Starter Pawls	.3

0770199

ENGINE INTERNAL

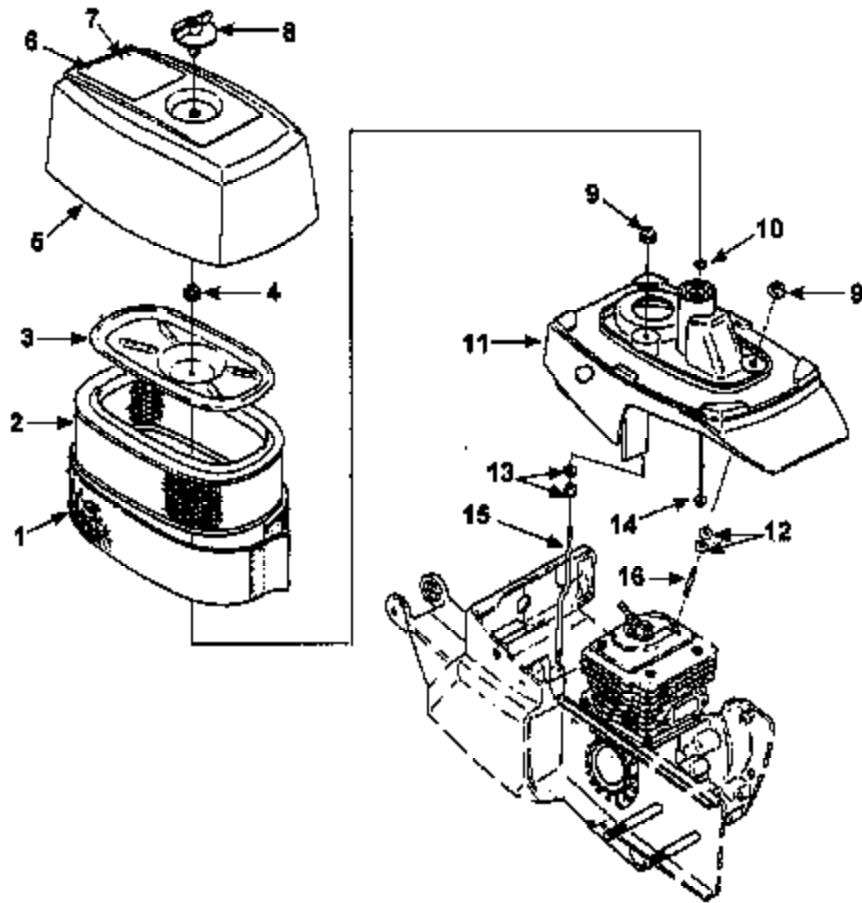


No.	Part No.	Description	Qty.
1	• A 03883	CRANKSHAFT	1
2	08797 1	BEARING-Ball	2
3	02161 A	BEARING-Piston Pin	1
4	76078	KEY-Woodruff	1
5	• A 03881	CYLINDER & PISTON ASSEMBLY	1
6	01688	GASKET-Cylinder	1
7	02426	SPACER	2
8	02346	STUD-(10-24 X 1 1/4")	6
9	• A 01273	PISTON (1.890 Dia.)	1
10	02161	RING-Retaining	2
11	02182	RING-Piston	2
12	• A 02272 B	CRANKCASE	1
13	82560	SCREW-Truss Hd. (10-24 X 1 1/4")	9
14	26922 1	RETAINER-Bearing	1
15	98197 A	SEAL-Main	2
16	82560	SCREW-Pan Hd (12-24 x 3/4")	4

Item No.	Torque Specs		Required Loctite
	In/Lbs	Nm	
13	55	6.2	RED 262
16	85	9.5	RED 262

Warranty Flat Rate		
Job	Description	Time/Hr.
CB10	Partial Engine Rebuild	.6
CB11	Complete Engine Rebuild	2.0
CB15	Seal Rotor Side	.4

AIR CLEANER

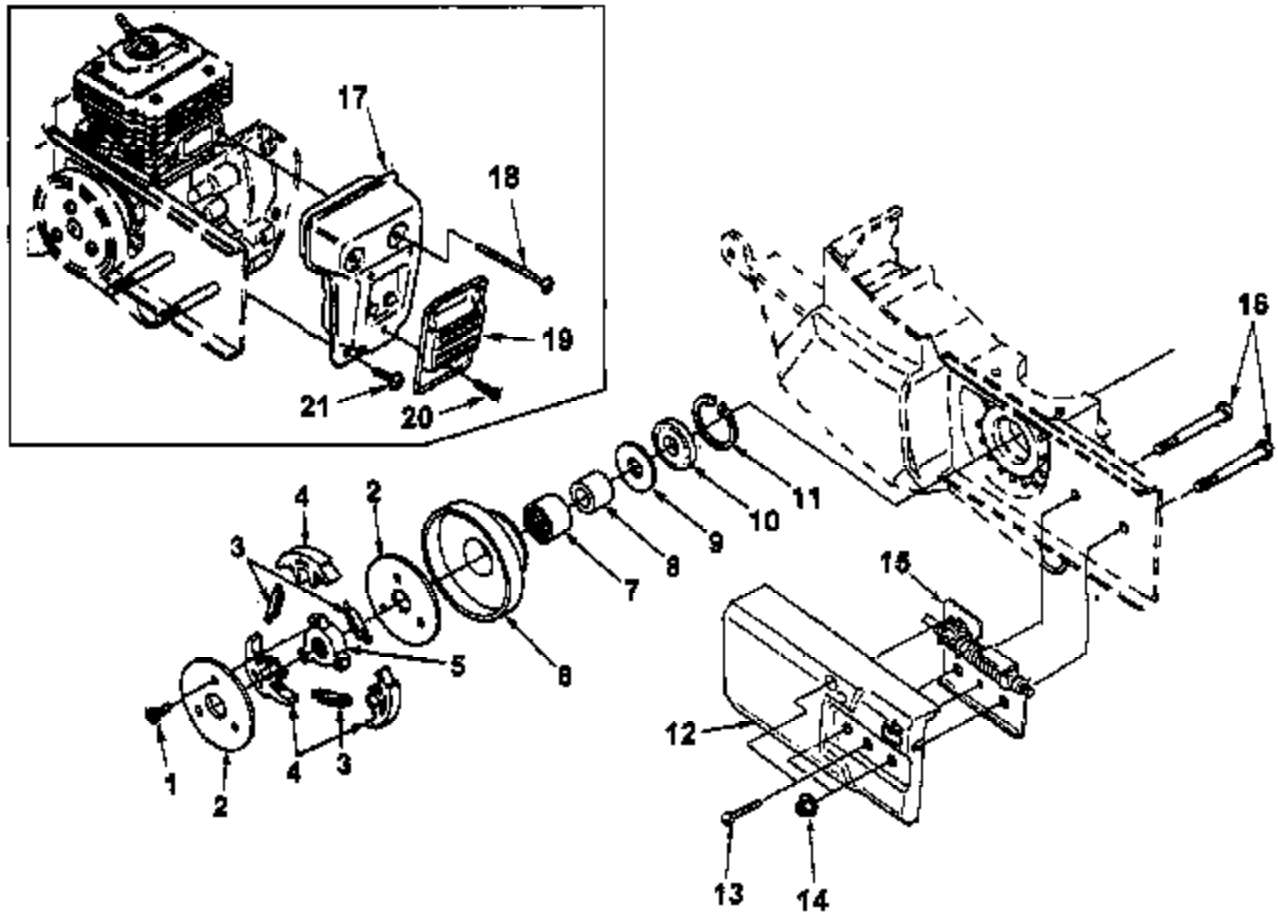


No.	Part No.	Description	Qty.
1	02307	PREFILTER-Felt	1
2	02308	ELEMENT-Air Filter	1
3	02309 1	COVER-Air Filter Element	1
4	02330	NUT-Hex Conical	1
5	A 03880 A	COVER-Air Filter	1
6	03821	DECAL-Warning (French)	1
7	03620	DECAL-Warning (Eng.)	1
	04644	DECAL-Warning (Int.)	1
8	A 03024	KNOB & INSERT	1
9	02330	NUT- Hex	2
10	03383	O-Ring	1
11	02309 B	COVER-Cylinder	1
12	02425	SPACER-Insulating	2
13	81082	NUT-Hex	2
14	82584	SCREW-Hex Cap (10-24 X 1 3/4")	1
15	02347	STUD-Offset (10-24)	1
16	02345	STUD (10-24 x 1")	1

Item No.	In/Lbs	Torque Specs Nm	Required Loctite
4	40	4.5	
8	40	4.5	
16	Hand Tight		BLUE 242
16	15	1.6	

Warranty Flat Rate		
Job	Description	Time/tr.
CD11	Carb Chamber	.8

CLUTCH-EXHAUST SYSTEM



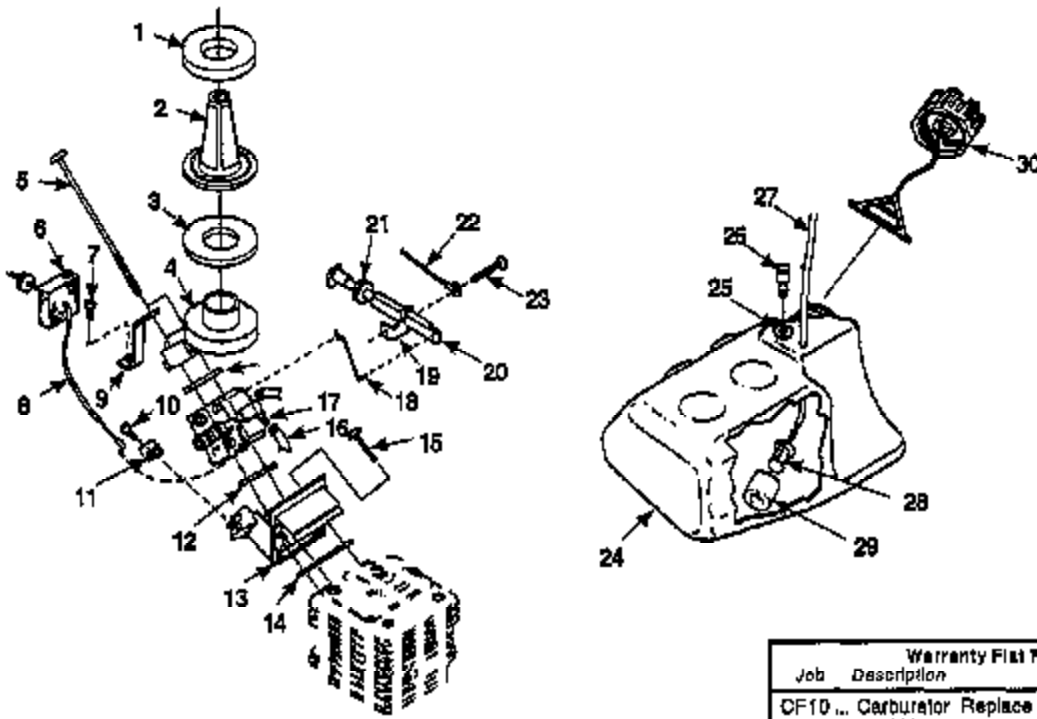
No.	Part No.	Description	Qty.
1	82263	SCREW-Machine Hex Hd. (8-32 X 3/8")	3
2	93628	COVER-Clutch	2
3	93688 A	SPRING-Clutch	3
4	79239	SHOE-Clutch	3
5	02334	CLUTCH-Spider	1
6	A 49548	PULLEY-Drum & Bearing	1
7	48071	BEARING-Needle	1
8	48070	RACE-inner	1
9	48135	WASHER-Thrust	1
10	98197 A	SEAL-Main	1
11	28922 f	RETAINER-Bearing	1
12	A 02329 A	CLUTCH-Cover	1
13	82676	SCREW- Tapfit (8-32 x 5/8")	2
14	81282	NUT-Hex Flange (5/16-18)	2
15	A 03879 A	GEAR KIT	1
16	02327	BOLT-Wheel Arm	1
17	A 02287	MUFFLER	1
18	82574	SCREW-Trust Hd. (10-24 x 2 1/2")	2
19	A 98747	CAP- Muffler	1
20	80983	SCREW-Mechina Hex Hd. (8-32 x 1/2")	3
21	96620 1	SCREW-Torx (10-24 x 1/2")	2

Item No.	In/Lbs	Torque Spec Nm	Required Loctite
1	65	6.2	BLUE 242
6	400	45.2	RED 262
13	20	2.2	
14	140	15.8	
18	55	6.2	
21	55	6.2	

Job	Description	Warranty Flat Rate	Time/Hr.
CB16	Seal PTO		.4
CB18	Muffler		.3
CC10	Clutch		.3

03/23/96

CARBURETOR-FUEL TANK

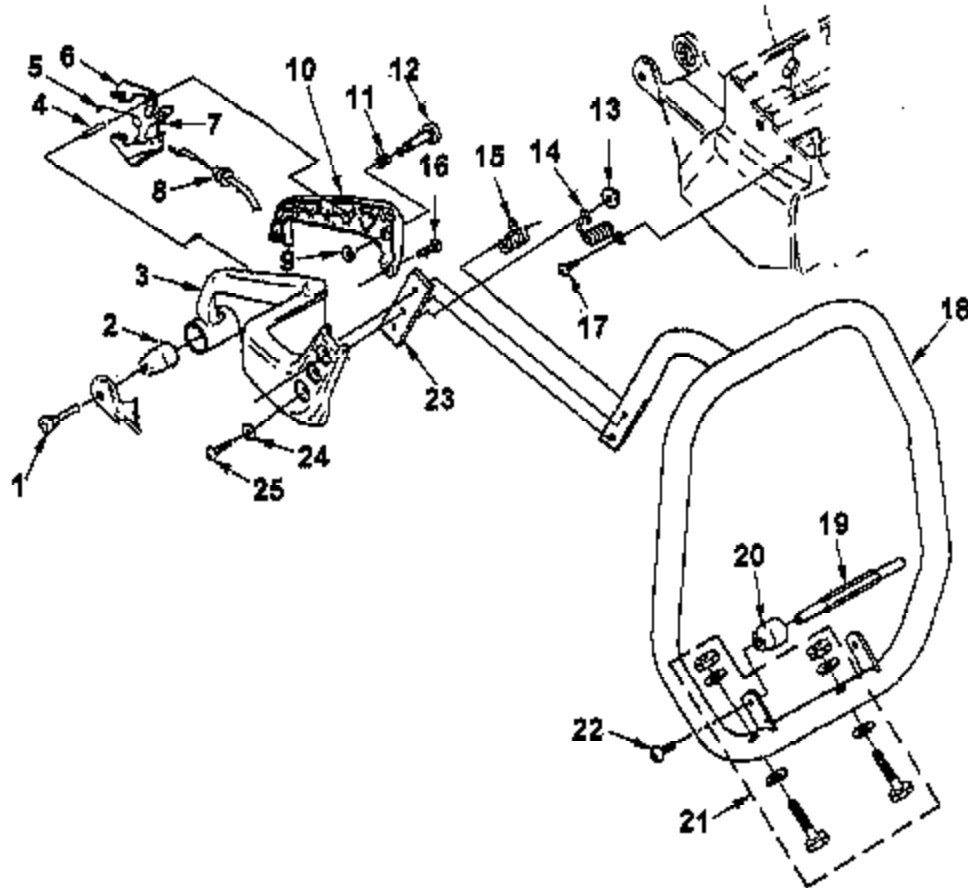


Warranty Fix Rate		
Job	Description	Time/Hr.
CF10	Carburetor Replace	.3
CF12	Fuel Line	.3
CF15	Replace Carb/Choke Linkage	.3
CF16	Fuel Tank	.4
CF17	Manifold	.5

Torque Specs			
Item No.	In/Lbs	Nm	Required Lockite
5	45	5	
7	85	7.3	
10	15	1.7	
15	45	5	RED 262
28	55	6.2	

NO.	PART NO.	DESCRIPTION	Qty.	NO.	PART NO.	DESCRIPTION	Qty.
1	02300	GASKET-Foam (1/4")	1	17	PA 00032	CARBURETOR-Walbro	1
2	02301	FILTER-Screen	1	18	A 08368	CHOKE LINK & RETAINER	1
3	02302	GASKET-Foam	1	19	03333	BRACKET-Cable	1
4	A 03272	ADAPTOR-Intake	1	20	02314	ROD-Choke	1
5	82562	SCREW-Truss Hd. (8-18 X 3 1/4")	2	21	64862	GROMMET	1
6	03758	PAD-Foam	1	22	A 09558	GROUND WIRE	1
7	96920 1	SCREW-Torx (10-24 X 1/2")	1	23	82556	SCREW-Truss Hd. (10-24 X 1 1/4")	1
8	A 02315	CABLE-Throttle	1	24	*A 03402 A	TANK-Fuel	1
9	02313 A	BRACKET-Air Intake	1	26	64862	GROMMET	1
10	82513	SCREW-Thread Form. (6-18 X 1/2")	1	26	A 02294	FILTER SLEEVE (Complete)	1
11	03456	BRACKET-Cable End	1	27	94772 40	TUBING-Rubber (10")	1
12	02295	GASKET-Carburetor	2	28	*A87700	FILTER-Fuel	1
13	02298 1	ADAPTOR-Intake	1	29	59253 1A	FILTER-Fuel	1
14	02297	GASKET-Adaptor	1	30	A 00904 A	CAP-Tank (w/Retainer)	1
15	82571	SCREW-Pan Hd. (10-24 X 1")	8				
18	98187 18	TUBING,Pulse line (4 3/4")	1				

HANDLES



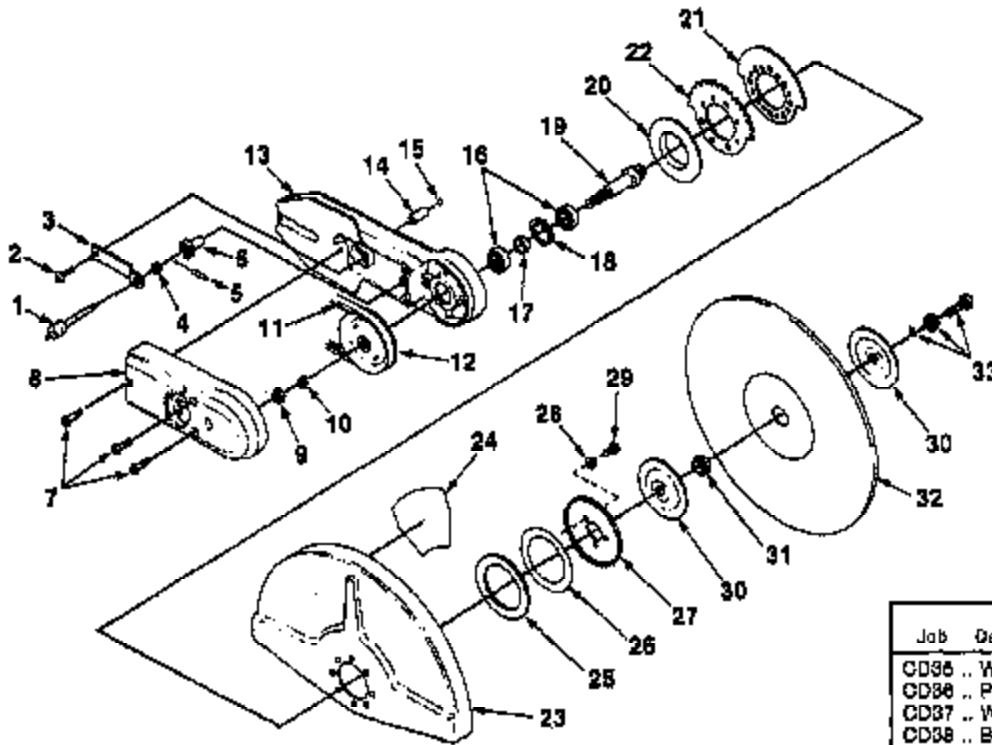
No.	Part No.	Description	Qty.
1	93367	ISOLATOR PIN	8
2	93368 A	ISOLATOR-Vibration	2
3	02318 A	HANDLE-Rear	1
4	98548	PIN-Trigger	1
5	02318	SPRING-Throttle	1
6	93365 A	LOCK-Trigger	1
7	A 09808 A	TRIGGER & SWIVEL	1
8	A 02315	CABLE-Throttle	1
9	68409	RING-Retaining	1
10	02319	COVER-Handle	1
11	95020 A	SPRING-Compression	1
12	95871	PIN-Throttle Lock	1
13	02380	NUT-Hex (10-24)	1
14	PS 03535	SPRING-isolation (Large)	1
16	PS 03536	SPRING-isolation (Small)	1
16	82688	SCREW-Plastic (8-16 x 5/8")	4
17	96620 1	SCREW-Torx Hd. (10-24 X 1/2")	4
18	A 08326	HANDLE BAR	1
19	02277 A	SPACER	1
20	97305 1A	ISOLATOR-Vibration	2
21	A 03633	KIT-Wear Pad	1
22	96620 1	SCREW-Torx Hd. (10-24 x 1/2")	2
23	03078	STRAP, Reinforcing	2
24	95893	WASHER (#12-11/16)	3
25	UP 08889	SCREW-Trust Hd. (10-24 x 3/4")	3

Item No.	Torque Specs		Required Loctite
	ft/Lbs	Nm	
1	80	6.8	ANTI SEIZE
13	40	4.5	
16	35	3.0	
17	55	6.2	
22	55	6.2	

Warranty Flat Rate		
Job	Description	Time/Hr.
CD30	Handle Bar	.8
CP15	Replace Carburetor Linkage	.8

07/01/89

WHEEL ARM ASSEMBLY



Warranty Flat Rate		
Job	Description	Time/Hr.
CD36	Wheel Guard	.4
CD36	Pulley	.3
CD37	Wheel Arm/Shaft	.5
CD38	Belt Guard	.3
CT10	Drive Belt	.3

Torque Specs			
Item No.	In/Lbs	Nm	Required Lubric
2	55	6.2	RED 262
7	35	3.9	
9	540	6.1	RED 262
29	55	6.2	
33	55	6.2	

NO.	PART NO.	DESCRIPTION	Qty.
1	A 00650	KNOB & PIN	1
2	95920 1	SCREW-Trust Hd. (10-24 X 1/2")	1
3	01923	PLATE-Spring	1
4	01922	SPACER-Adjusting Pin	1
5	JA 46135 9	PIN-Roll	1
6	01921	SLEEVE-Cam	1
7	95792	SCREW-Round Hd. (10-24 X 23/32")	3
8	07704	BELT-Cover	1
9	02423	NUT-Hex	1
10	JA44614 B	WASHER-Lock (7/16)	1
11	48088	BELT- V-Drive	1
12	A 02891	PULLEY & HUB	1
13	07956 3A	ARM-Wheel	1
14	02267	SNUBBER	1
16	00568	STEEL BALL	1
18	69107	BEARING-Ball	2
17	01916	SPACER-Bearing	1
18	PS 31746	RING-Retaining	1
19	01906 1	SHAFT-Wheel	1
20	01915	COLLAR-Wheel Guard	1
21	01914 A	PAD-Adjuster	1
22	01913	DETENT-Adjuster	1

NO.	PART NO.	DESCRIPTION	Qty.
28	A 04847 A	WHEEL GUARD & DECAL / 12"	1
24	04645 A	DECAL-Caution	1
23	A 07698	WHEEL GUARD & DECAL / 14"	1
24	04645 A	DECAL-Caution	1
25	01912	WASHER-Rubber	1
26a	01911 01	SHIM-.020"	1
26b	01911 02	SHIM-.030" (All Part)	0
27	01910	WASHER-Spring	1
28	95936	WASHER (#12 - 11/16)	3
29	95920-1	SCREW-Trust Hd. (10-24 X 1/2")	3
30	01909-1A	FLANGE-Wheel	1
31	01902	SPACER (1")	1
	01908	SPACER (22mm)	1
	01907	SPACER (20mm)	1
32	*	WHEEL	1
33	A 03412	BOLT & WASHER	1

* See Page 9

WHEELS

ABRASIVE WHEELS MOULDS ABRASIVOS RUEDAS ABRASIVAS	12 INCH		14 INCH	
	Part No.	Arbor Size	Part No.	Arbor Size
Masonry and Concrete Pour béton et maçonnerie Mampostaría y hormigón	64598 C	1"	49558 A	1"
	43230 B	7/8"	49765 A	20 mm
	49828	20 mm		
Metal Pour métal Metales	64597 C	1"	49561 A	1"
	43232 B	7/8"	49768 A	20 mm
	49824	20 mm		
Ductile and Cast Iron Pour fer et fonte Hierro dúctil y forjado	69421 B	1"	49560 A	1"
	43231 B	7/8"	49767 A	20 mm
	49825	20 mm		
Asphalt Asphalte Asfalto	03707 A	1"	03698 A	1"
DIAMOND WHEELS				
ROUES-DIAMANT				
RUEDAS DE DIAMANTE				
Premium Segmented Rim Disque segmenté de première qualité Corona segmentada perfeccionada	A 49753 A	1"	A 04831 A	1"
Standard Segmented Rim Disque segmenté standard Corona segmentada estándar	A 49751 A	1"	A 49572 A	1"
SAW BLADES				
LAMES DE SCIE				
QUONILLAS DE SIERRA				
Carbide, Junkyard Dog™ Carbure, Junkyard Dog™ De carburo, Junkyard Dog™	09831	1"		

REPLACEMENT ARM ASSEMBLIES (Includes spacers for 1", 22mm & 20mm wheel arbor)
ENSEMBLES DE GUIDE-ROUE DE RECHANGE (comprend des cales d'épaisseur pour mandrin de meule de 1", 22mm et 20mm).
REPUERTO DE BRAZO DE LA RUEDA (Incluyendo arandelas para arbol de 1", 22mm y 20mm)

12" Wheel Arm w/1" Arbor A08387 A
 Guide-roue 12" a/mandrin 1"
 12" brazo de la rueda w/1" arbol

14" Wheel Arm w/1" Arbor A08398 A
 Guide-roue 14" a/mandrin 1"
 14" brazo de la rueda w/1" arbol

ADDITIONAL ACCESSORIES

	Part No.
Dolly Kit w/Depth Gage	UT 06064
Plateau roulant avec jauge de profondeur Conjunto de carro con reguladores de profundidad	
Carry Case with Insert	A 18009 A
Mallette de transport avec compartiment amovible Caja para transporte con pieza de inserción	
Wet Cut Kit	A 49649
Trousses pour coupe mouillée "Wet Cut Kit"	
Spark Arrestor Screen	98627
Écran pare-étincelles Pantalla de apogochispas	