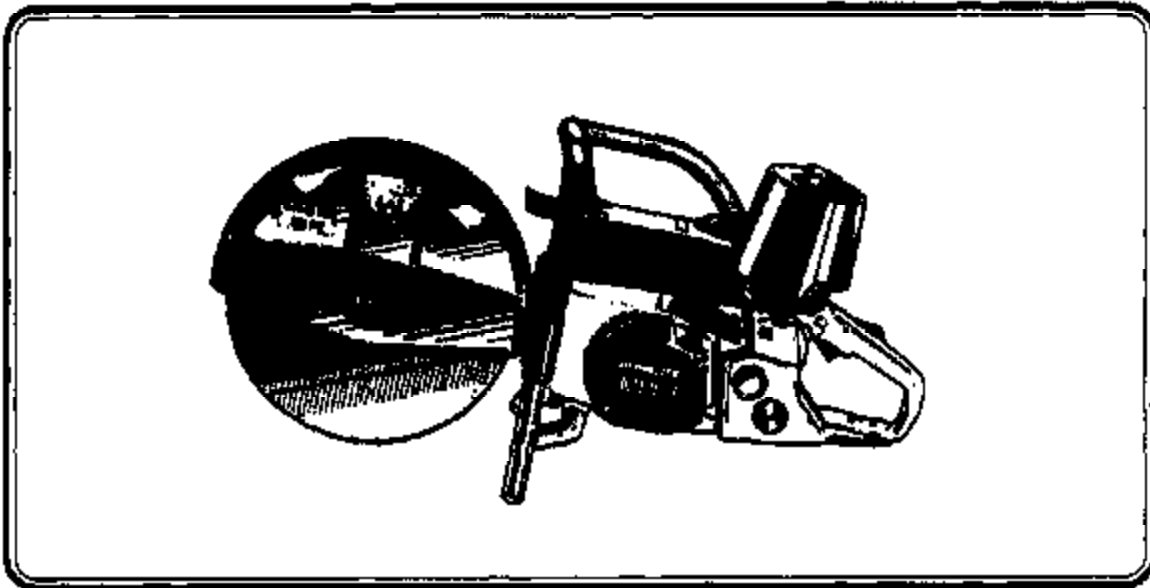


Homelite®

PARTS LIST



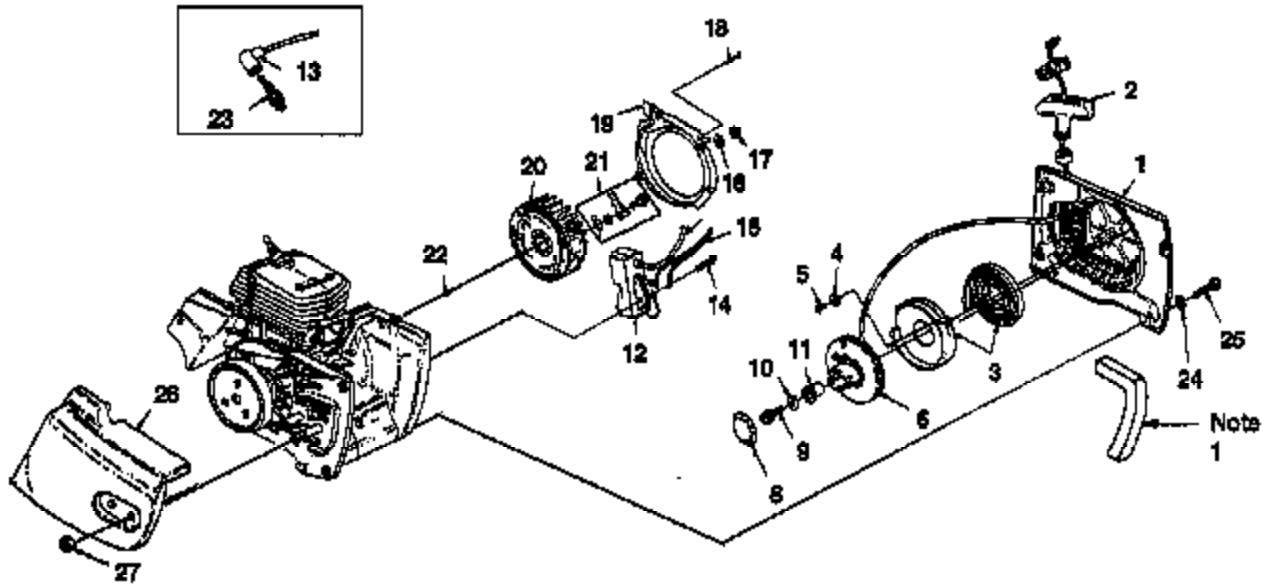
MP88 W/12"

UT05073 A

MP88 W/14"

UT05074 A

STARTER - IGNITION



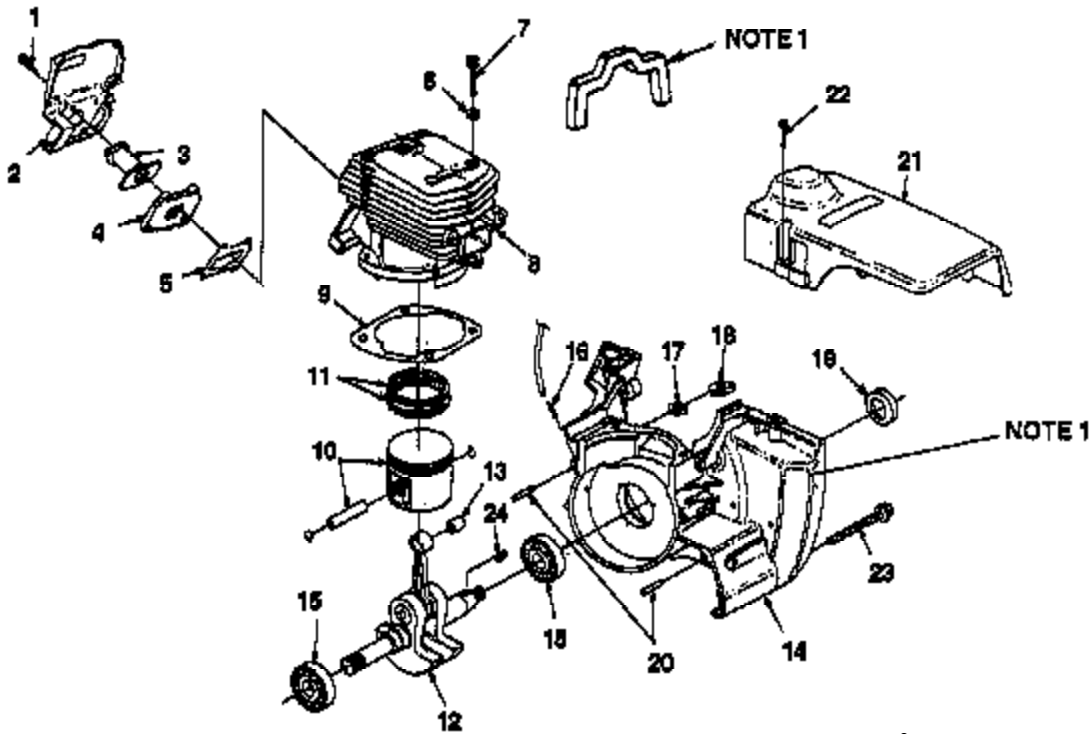
No.	Part No.	Description	Qty.
1	*A 02292 A	STARTER COMPLETE	1
2	A 69862 B	GRIP- w/needle	1
3	A 98087 A	SPRING & RETAINER	1
4	84025	WASHER- Flat (#8)	3
5	82526	SCREW- Thread Form. (8 X 3/8")	2
6	A 97990 C	PULLEY & ROPE	1
7	A 00518	ROPE	1
8	02505	SPRING- Grip	1
9	82409	SCREW- Plastic (10-14 X 5/8")	1
10	68753	WASHER- Retaining	1
11	97992 A	BUSHING- Starter Post	1
12	*A 01827	MODULE ASSY.	1
13	A 33055	TERMINAL- Spark Plug	1
14	82582	SCREW- Hex Hd. (10-24 X 7/8")	2
15	A 98583 1D	LEAD- Ground w/Grommet	1
16	95479 A	WASHER- Flat	1
17	81255	NUT- Lock Hex (3/8-24)	1
18	80582	SCREW- Mech. (6-32 X 5/8")	2
19	02133	SCROLL- Air Guide	1
20	*A 02088 B	ROTOR	1
21	A 03610	STARTER PAWL KIT	1
22	75078	KEY- Woodruff	1
23	98217 S	SPARK PLUG (RCJBY)	1
24	84003	WASHER- Flat (#10)	4
25	82562	SCREW- Pan Hd. (10-24 X 5/8")	4
26	47869 5A	COVER - Drivecase	1
27	81089 2	NUT-(3/8-16 x 5/16")	2

NOTE 1: A-03611-A FOAM KIT

Item No.	Torque Specs		Required Locs
	In/Lbs	Nm	
6	8 - 12	.9 - 1.4	
9	30 - 40	3.4 - 4.5	
14	50 - 60	5.8 - 8.5	262 Red
18	30 - 40	3.4 - 4.5	
25	40 - 50	4.5 - 6.6	

Job	Description	Warranty Flat Rate	
		Time	Hr
CA11	Solid State Module	4	
CA12	Ground Lead	3	
CA13	Hi-Tension Lead	3	
CG10	Starter Assembly	3	
CG11	Starter Pawls	3	

ENGINE INTERNAL



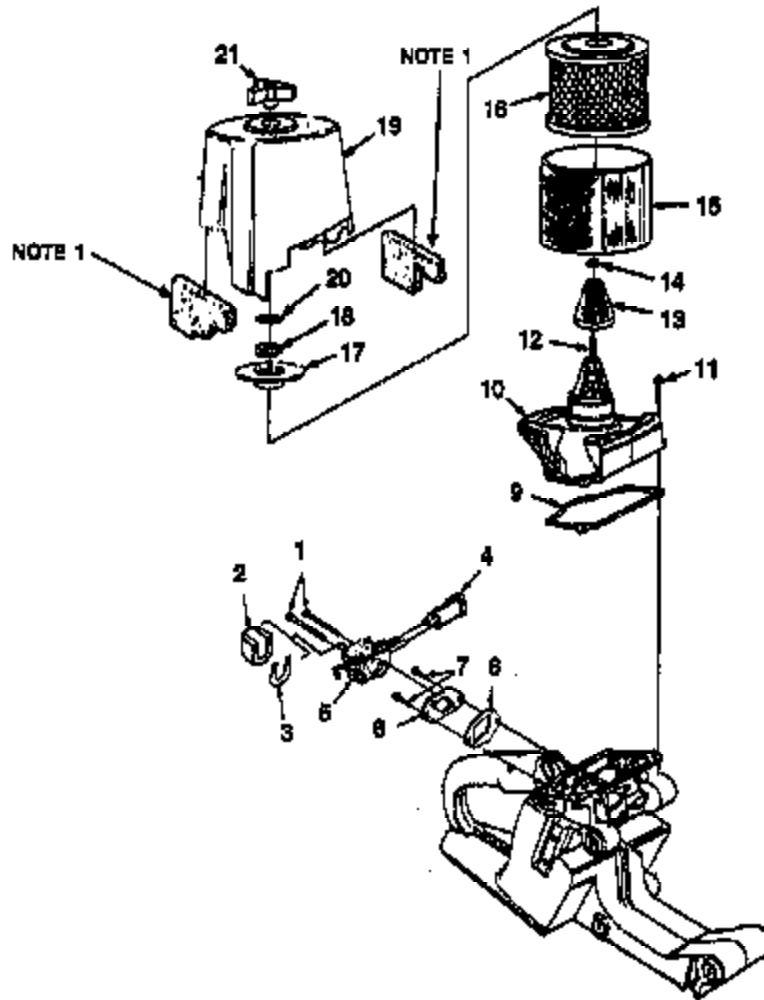
No.	Part No.	Description	Qty.
1	82248	SCREW- Mech. Hex Hd. (10-24 X 1")	4
2	97398 1A	BAFFLE- Cylinder	1
3	97263 2	BOOT- Intake	1
4	02822	ADAPTER- Intake	1
5	04836	GASKET- Intake	1
6	12021	WASHER- Conical (#10)	4
7	82249	SCREW- Cap Socket (10-24 X 1")	4
8	A 02830 A	CYLINDER & PISTON (Matched)	1
9	PS 97316	GASKET- CYLINDER	1
10	A 02824 1B	PISTON & PIN ASSY.	1
11	02828	PISTON RING	2
12	A 03737	CRANKSHAFT & ROD	1
13	93519	BEARING- Needle	1
14	A 06391	CRANKCASE ASSY. (See page 5, Item 11)	1
15	94821 A	BEARING- Ball	2
16	89833	FITTING- Tube	1
17	91208	NUT- Lock Hex (10-24)	2
18	12689 A	NUT- Retainer	2
19	98308 B	SEAL- Shaft	1
20	PS 31082	PIN- Dowel	1
21	A 02121	COVER- CYLINDER	1
22	93397 A	SCREW- CYLINDER COVER	3
23	88057	SCREW- Hex Flange (10-24 X 2")	5
24	76076	KEY- Woodruff	1

Item No.	Torque Specs		Required Loctite
	In/Lbs	Nm	
1	20-30	2.3-3.4	252 Red
7	80-90	9.0-10.2	252 Red
22	Hand Tight		

Job	Description	Warranty Flat Rate	
		Time/Hr.	
CB10	Partial Engine Rebuild	.5	
CB11	Complete Engine Rebuild	2.0	
CB15	Seal Rotor Side	.4	
CF17	Manifold	.5	

NOTE 1: A-03811-A FOAM KIT

CARBURETOR - AIR CLEANER



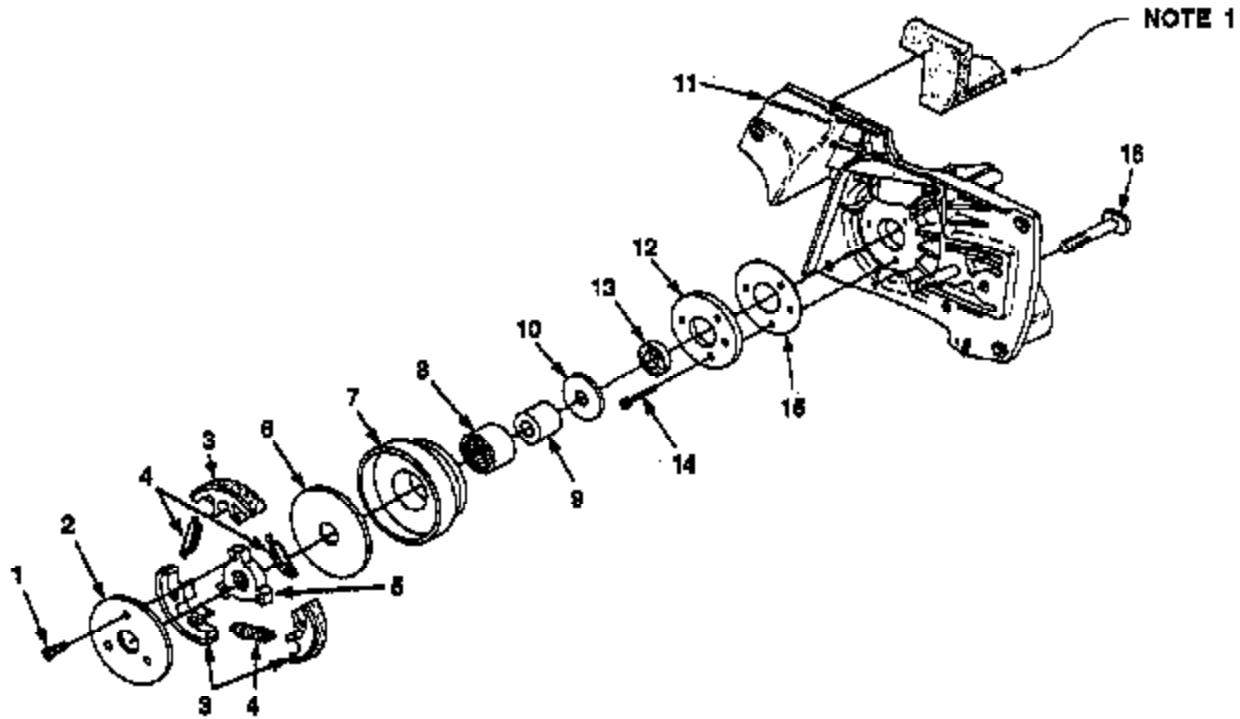
No.	Part No.	Description	Qty
1	82527	SCREW- Hex Cap (10-14 X 2")	2
2	49678 2	SHIELD- Carburetor	1
3	49671	GASKET- Carburetor Shield	1
4	PS 00100	GROMMET	2
6	PA 00087	CARBURETOR	1
8	87290 2A	ADAPTER- Carburetor	1
7	86520	SCREW- Torx Truss (10-24 X 1/2")	2
8	PS 87291	GASKET- Carburetor	1
9	PS 87298	GASKET- Carb. Chamber	1
10	49509 A	COVER- Carb. Chamber	1
11	80582	SCREW- Pan Hd. (8-32 X 5/8")	4
12	49511 A	BOLT	1
13	49558	FILTER- Air	1
14	94150	"O" Ring	2
15	49513	FELT PREFILTER	1
16	49512	ELEMENT- Air Filter	1
17	49898 1	AIR FILTER ELEMENT COVER	1
18	81182	NUT- Hex (5/16-18)	1
19	A 49514 A	FILTER COVER	1
20	06866	KNOB	1
21	48072	RETAINING RING	1

NOTE 1: A-03611-A FOAM KIT

Item No.	Torque Spec		Required Loctite
	In/Lbs	Nm	
1	40-50	4.5-5.6	262 Red
7	30-40	3.4-4.5	262 Red
11	30-40	3.4-4.5	242 Blue

Warranty Flat Rate		
Job	Description	Time/Hr.
CD11	Carb Chamber	.8
CF10	Carburetor Replace	.3

CLUTCH - CRANKCASE



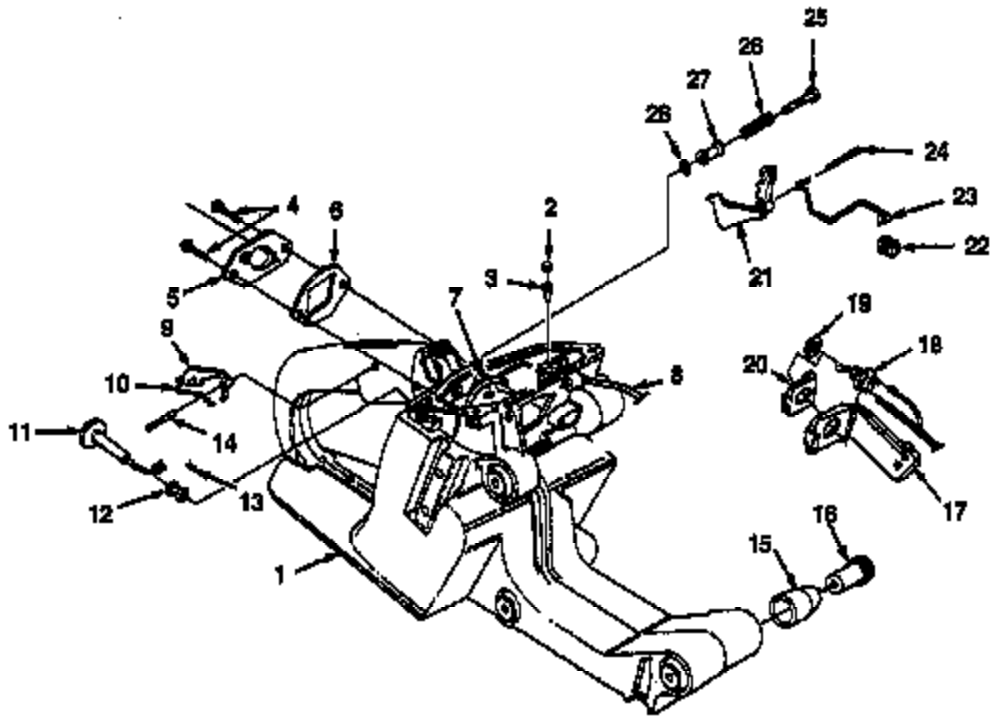
No.	Part No.	Description	Qty.
1	88041	SCREW- Hex Bone (8-32 X 3/4")	2
2	93828	CLUTCH COVER	1
3	A 93832 B	CLUTCH SHOE	3
4	93838 A	CLUTCH SPRING	3
5	93839	CLUTCH SPIDER	1
6	93650	WASHER- Thrust	1
7	A 49643	PULLEY & DRUM	1
8	49071	NEEDLE BEARING	1
9	46070	RACE- Inner	1
10	46186	WASHER- Thrust	1
11	A 06391	CRANKCASE ASSY. (COMPLETE)	1
12	A 49697 A	RETAINING- Bearing	1
13	12906	SEAL	1
14	82293	SCREW- Socket Cap (10-24 X 5/8")	3
15	00191 D	GASKET	1
16	82595	WHEEL ARM BOLT (5-16-18 X 2.5")	2
	81208	NUT- Hex Lock (10-24) (Not shown)	4
	12689 A	RETAINER- Nut (Not shown)	2
	58908 B	SEAL- Shaft (Not shown)	1

Item No.	Torque Specs		Required Loolite
	In/Lbs	Nm	
1	30-40	3.4-4.6	282 Red
5	400	46.2	
14	40-50	4.5-5.8	282 Red

Warranty Flat Rate		
Job Description		Time/Hr.
CB16 ... Seal PTO		.4
OC10 ... Clutch		.3

NOTE 1: A-03611-A FOAM KIT

ENGINE HOUSING

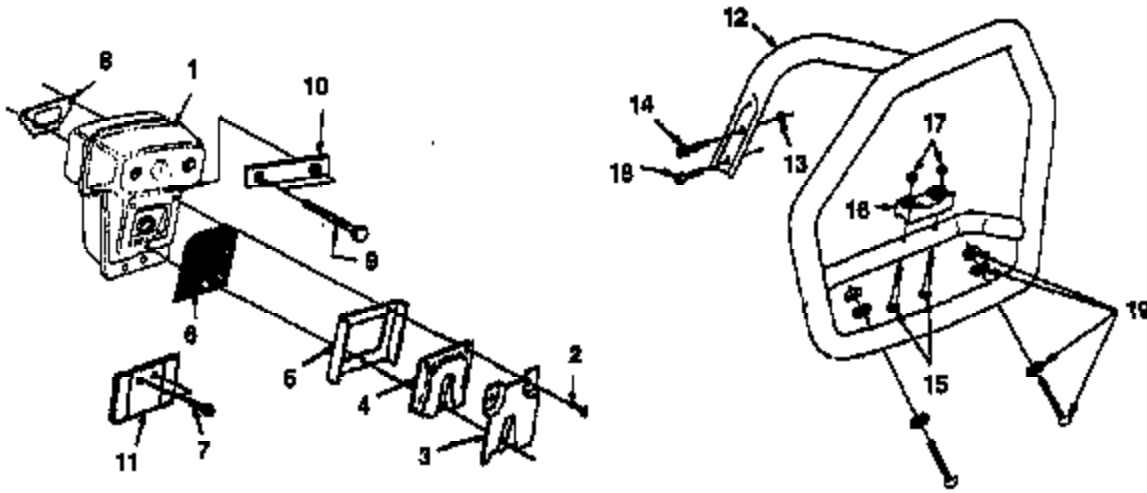


No.	Part No.	Description	Qty.
1	A 49770 A	HOUSING- Engine	1
2	93410 A	TANK VENT FILTER	2
3	96841	VALVE- Duck Bill	1
4	96620	SCREW- Torx True (10-24 X 1/2")	2
5	97290 2A	ADAPTOR- Carburetor	1
6	PS 97291	GASKET- Carburetor	1
7	83112 37	TUBING- Rubber (Fuel Line, 9 1/2")	1
8	83157 23	TUBING- Rubber (Pulse Line, 5 1/2")	1
9	93355 A	TRIGGER- Lock	1
10	PS 97255	SPRING- Flat	1
11	97292 1	ROD- Choke	1
12	84882	GROMMET	1
13	86324	PIN- Cotter	1
14	88548	PIN- Trigger	1
15	97305 2	ISOLATOR- Vibration	1
16	PS 97282	SLEEVE- Flanged	8
17	PS 97306 A	COVER, Switch	1
18	A 57660 A	SWITCH- Toggle	1
19	72064 Af	NUT- Hex	1
20	12793 A	PLATE- Indicating	1
21	93542	TRIGGER- Throttle	1
22	88858	BOOT- Throttle Rod	1
23	97284 A	ROD- Throttle	1
24	88548	PIN- Trigger	1
25	95671	PIN- Throttle Lock	1
26	95020 A	SPRING- Compression	1
27	88959	BUSHING- Flanged	1
28	58409	RING- Retaining	1
29	A 03121	FUEL CAP	1
30	*A 97700	FUEL FILTER	1
31	96293 1A	FILTER ELEMENT	1

Item No.	Torque Specs		Required Locks
	In/Lbs	Nm	
4	60-60	6.6-6.7	282 Red

Job	Warranty Flat Rate	
	Description	Time/Hr.
CD12	Engine Housing	.6
CA17	Switch	.3
CF12	Fueling	.3
CF15	Replace Carb/Choke Linkage	.3

MUFFLER - HANDLEBAR

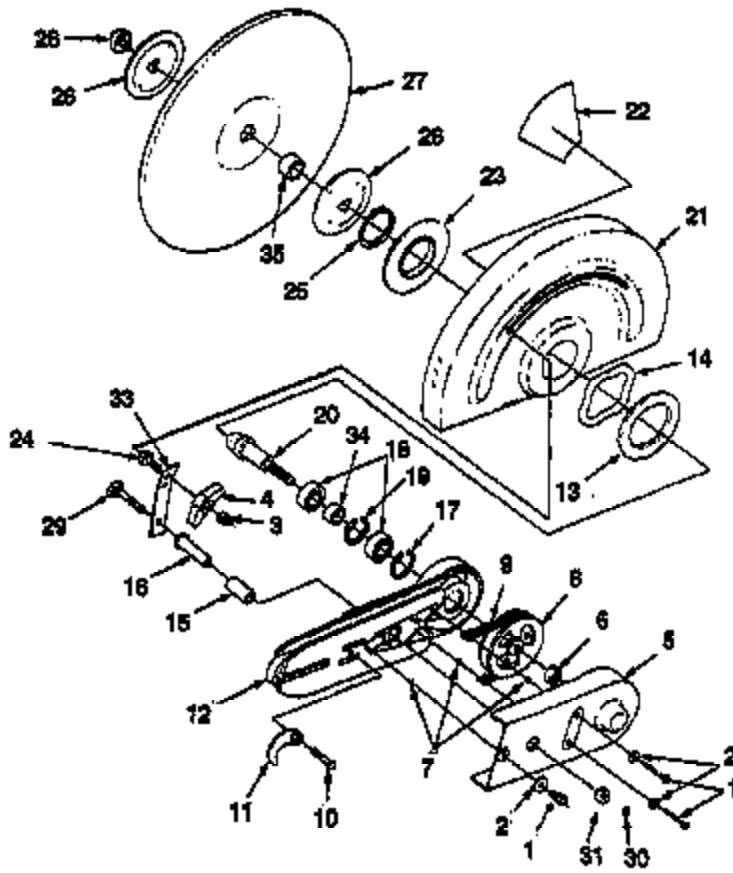


No.	Part No.	Description	Qty.
1	A 04490	MUFFLER ASSY.	1
2	80883	SCREW- Mach. Hex (3-32 X 1/2")	3
3	A 49545	SHIELD- Muffler	1
4	49528	CAP- Muffler	1
6	49548	SUPPORT- Spark Arrester	1
8	82827	SCREEN- Spark Arrester	1
7	82555 1	SCREW- Truss Hd. (10-24 X 3/4")	2
9	97882 B	GASKET- Muffler	1
9	82592	SCREW- Cap Hex Hd. (1/4-20 X 3 1/4")	2
10	04429	SHIELD- Muffler Cover	1
11	04431 A	PLATE- Retaining	1
12	A 49595 1	HANDLE BAR	1
13	81208	NUT- Hex Lock (10-24)	2
14	82555 1	SCREW- Truss Hd. (10-24 X 3/4")	1
15	98212	NUT- Locking (1/4-25)	2
16	49622 2	BRACKET- Handle Bar	1
17	82532	SCREW- Mach. Oval Hd. (1/4-20 X 1/2")	2
18	96620	SCREW- Truss Torx (T25)	2
19	A 03693	WEAR PAD KIT	1

Item No.	Torque Specs		Required Loctite
	in/Lbs	Nm	
2	25-30	2.8-3.4	
9	100-140	11.3-15.8	
14	80-70	8.7-7.9	
17	120-140	13.5-15.8	262 Red
18	80-70	8.7-7.9	262 Red

Warranty Flat Rate		
Job	Description	Time/Hr.
CB18	Muffler	.3
CD20	Handle Bar	.3

WHEEL ARM



Job	Description	Warranty Flat Rate	Time/Hr.
CD35	.. Wheel Guard		.4
CD36	.. Pulley		.3
CD37	.. Wheel Arm/Shaft		.5
CD38	.. Ball Guard		.3
CT10	.. Drive Ball		.3

NO.	PART NO.	DESCRIPTION	Qty.
1	94143	Screw-Slotted	3
2	84026	Washer-Flat (1/4")	3
3	81162	Nut-Hex (5/16-18)	1
4	GP 11368 B	Knob-Handle	1
5	49968 C	Cover-Arm	1
6	81245	Nut-Hex Lock (1/2-13)	1
7	49482	"O" Ring	1
8	A 03233	Pulley-Driven	1
9	45088	Belt-"V" Drive	1
10	80087	Screw-Hex Hd. (5/16-18 X 1 1/2")	1
11	A 49194	Cam & Adjuster	1
12	A 49568	Arm-Wheel	1
13	47387	Shim	1
14	47366	Spring-Wave	1
15	49553 A	Tubing-Rubber	1
16	49815	Spacer-Guard Adjusting	1
17	PS 31746	Ring-Retaining	1
18	63107	Ball Bearing	2
19	47207	Retaining Ring	1
20	01906 1	Wheel Shaft	1
21	A 01872 B	Wheel Guard (12" only)	1
	A 01873 B	Wheel Guard (14" only)	1
22	49922 A	Caution Label	1
23	48000	Washer-Mounting (12" only)	1
	48000 1	Washer-mounting (14" only)	1
24	82518 A	Bolt-Step (5/16-18 X 1")	1
25	48085	Ring-Retaining	1
26	01908 1A	Flange-Wheel	1

NO.	PART NO.	DESCRIPTION	Qty.
27		Wheel-Resinoid (See Note)	1
28	A 08412	Bolt & Washer	1
29	49815	Bolt-Sq. Neck, Rnd. Hd.	1
30	81162	Nut-Hex (5/16-18)	1
31	84027	Washer-Flat	1
32	49553 A	Tubing-Rubber	1
33	02839 1	Arm-Adjusting (12" only)	1
	49817 1	Arm-Adjusting (14" only)	1
34	45087	Spacer-Bearing	1
35	01902	Spacer (1" Dia.)	1
	01903	Spacer (22")	1
	01907	Spacer (20")	1

NOTE: See Accessories for different types of resinoid Wheels.

Item No.	Torque Specs		Required Locks
	In/Lbs	Nm	
1	35	3.8	
3	Hand Tight		
10	60	5.5	
30	60	5.6	

WHEELS

ABRASIVE WHEELS MEULES ABRASIVES RUEDAS ABRASIVAS	12 INCH		14 INCH	
	Part No.	Arbor Size	Part No.	Arbor Size
Masonry and Concrete Pout-béton et maçonnerie Mampostería y hormigón	64596 C 49230 B 49825	1" 7/8" 20 mm	49559 A 49788 A	1" 20 mm
Metal Pour métal Metal	64597 C 49232 B 49824	1" 7/8" 20 mm	49581 A 49788 A	1" 20 mm
Ductile and Cast iron Pour fer et fonte Hierro dúctil y forjado	69421 B 49231 B 49825	1" 7/8" 20 mm	49580 A 49787 A	1" 20 mm
Asphalt Asphalte Asfalto	03707 A	1"	03696 A	1"
DIAMOND WHEELS ROUES-DIAMANT RUEDAS DE DIAMANTE				
Premium Segmented Rim Disque segmenté de première qualité Corona segmentada perfeccionada	A 49751 A	1"	A 49672 A	1"
Premium Continuous Rim Disque de première qualité Corona perfeccionada	A 49753 A	1"	A 04631 A	1"
Standard Segmented Rim Disque segmenté standard Corona segmentada estándar	A 06397	1"	A 06398	1"
SAW BLADES LAMES DE SCIE CUCHILLAS DE SIERRA				
Carbide, Junkyard Dog™ Carbure, Junkyard Dog™ De carburo, Junkyard Dog™	06331	1"		
REPLACEMENT ARM ASSEMBLIES (Includes spacers for 1", 22mm and 20mm wheel arbor ENSEMBLES DE GUIDE-ROUE DE REMPLACEMENT (comprend des cales d'épaisseur pour mandrin de meule de 1", 22mm et 20mm). REPUERTO DE BRAZO DE LA RUEDA (Incluyendo arandelas para arbol de 1", 22mm y 20mm)				
12" Wheel Arm w/1" Arbor Guide-roue 12" w/mandrin 1" 12" brazo de la rueda w/1" arbol	A49429D			
14" Wheel Arm w/1" Arbor Guide-roue 14" w/mandrin 1" 14" brazo de la rueda w/1" arbol	A49560C			

ACCESSORIES & TOOLS

Additional Accessories Accessoires supplémentaires Accesorios adicionales	Part No.	Tools Outils Herramientas	Part No.
Dolly Kit W/Depth Gage Plateau roulant avec jauge de profondeur Conjunto de carro con reguladores de profundidad	UT 05084	Combination Wrench (5/8, 3/4, & Screwdriver) Clé mixte (5/8, 3/4 et tournevis) Llave de tuercas de combinación (5/8, 3/4 y destornillador)	A 24824
Carry Case with Insert Mallette de transport avec compartiment amovible Caja para transporte con pieza de inserción	A 16009 A	1/2 Wrench Clé 1/2 Llave de fuerza de 1/2"	03000
Wet Cut Kit Trousee pour coupe mouillée "Wet Cut Kit"	A 49549	Puller Rotor Rotor fracteur Rotor extractor	A 17108 B
Spark Arrestor Screen Écran pare-étincelles Pantalla de apagachispas	98827		

CUSTOMER ASSISTANCE

FOR THE LOCATION OF YOUR NEAREST
HOMELITE®
SERVICING DEALER
IN THE UNITED STATES, PUERTO RICO, AND
THE VIRGIN ISLANDS,
CALL:
1-800-242-4672

HEADQUARTERS

John Deere Consumer Products, Inc.
P.O. BOX 7047
CHARLOTTE, N.C. 28241

OVERSEAS OFFICES

EUROPE, AFRICA & MIDDLE-EAST

Homelite Netherlands B.V.
A Deere & Company Affiliate
Havenstraat 84
2153 GB Nieuw Vennep
The Netherlands

FRANCE

Homelite Atlantio SARL
Groupe Deere & Co.
BP 7011
85060 Clergy Portolais Cedex
France

AUSTRALIA

Homelite Pacific Ltd.
A Deere & Company Affiliate
ACN 008 688 638
94 Rushdale Street
PO. Box 688 MDA
Australia

CANADIAN OFFICE

Homelite Canada Limited
Homelite Canada Limitée

A Deere & Company Affiliate/
Une Filiale de Deere & Company
1850-85eth Avenue
Lachine, Québec, Canada H8T 3J5
1-800-363-6715

John Deere Consumer Products, Inc.