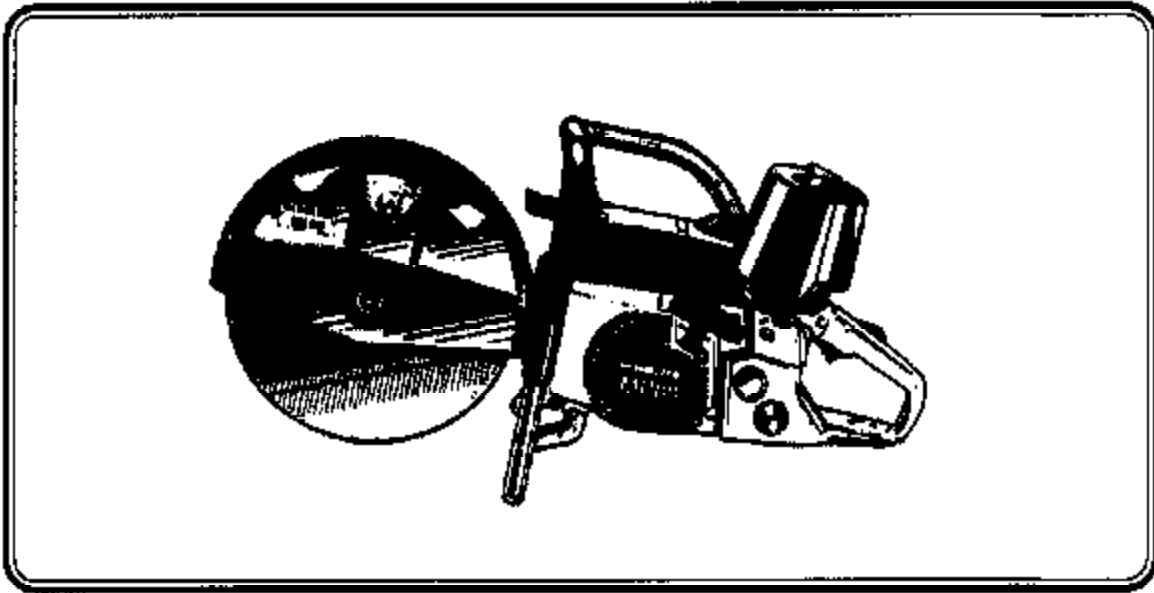


# Homelite®

## PARTS LIST



**MP88**

**MP88 W/12"**

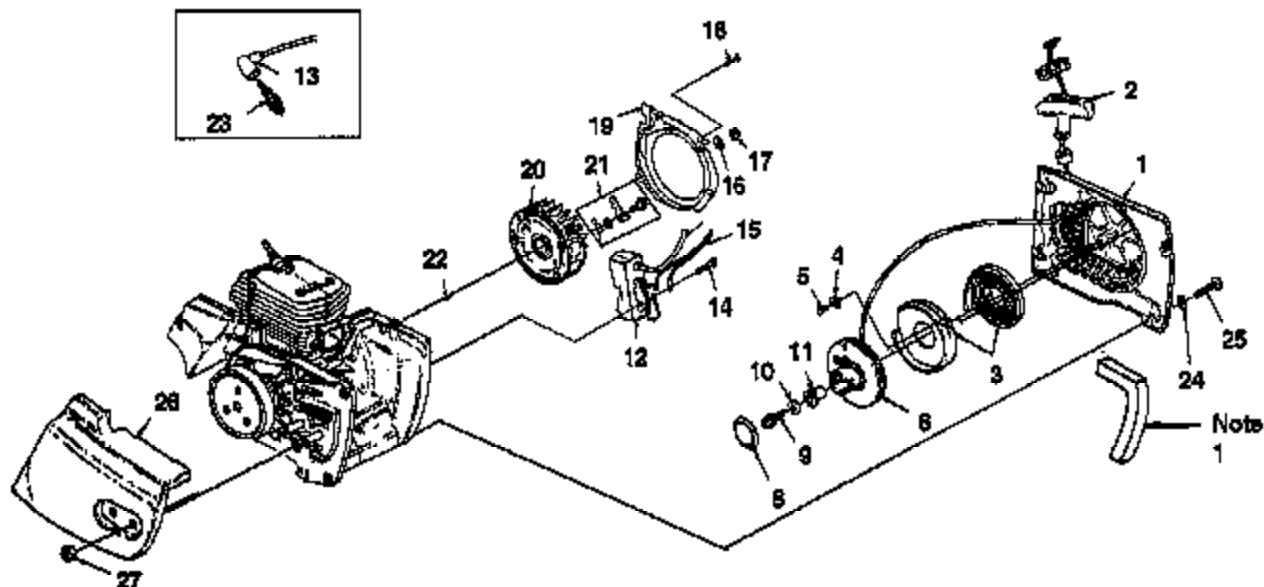
**MP88 W/14"**

**UT05051, A, B**

**UT05073**

**UT05074**

# STARTER - IGNITION



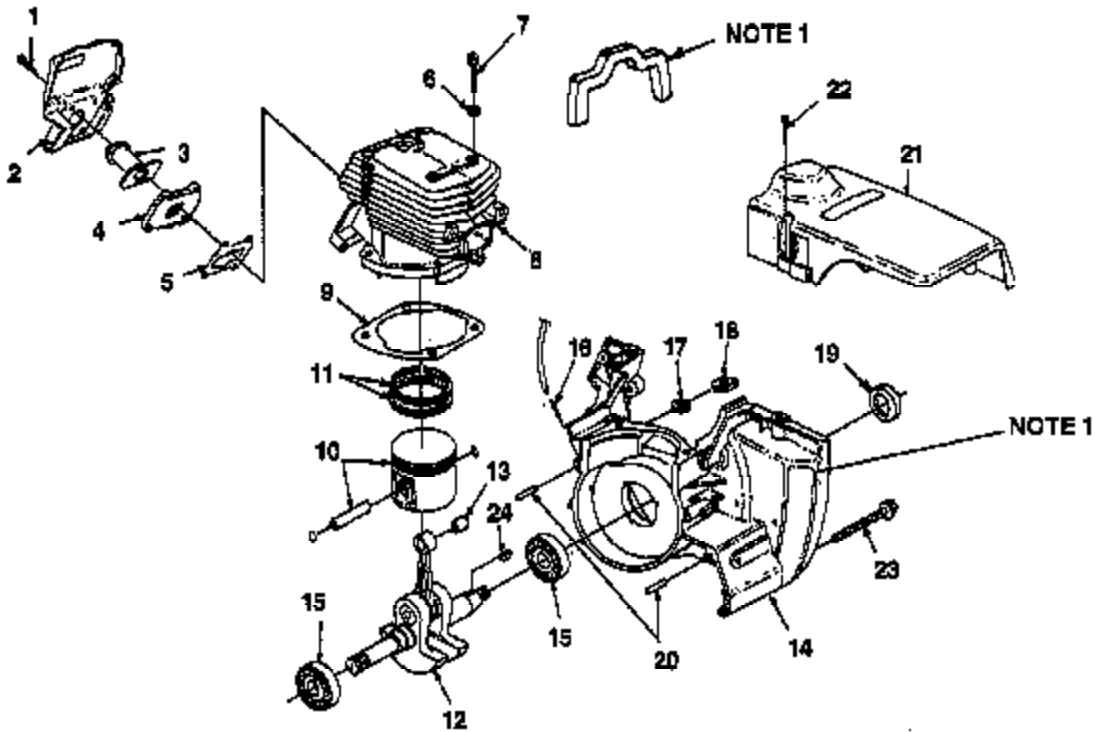
No.	Part No.	Description	Qty.
1	•A 02282 A	STARTER COMPLETE	1
2	A 69962 B	GRIP- w/insert	1
3	A 98067 A	SPRING & RETAINER	1
4	84025	WASHER- Flat (#8)	3
5	82528	SCREW- Thread Form. (8 X 3/8")	2
6	A 97980 C	PULLEY & ROPE	1
7	A 00518	ROPE	1
8	02505	SPRING- Grip	1
9	82409	SCREW- Plastic (10-14 X 5/8")	1
10	58763	WASHER- Retaining	1
11	97982 A	BUSHING- Starter Post	1
12	•A 01827	MODULE ASSY.	1
13	A 33055	TERMINAL- Spark Plug	1
14	82562	SCREW- Hex Hd. (10-24 X 7/8")	2
15	A 86568 1D	LEAD- Ground w/Grommet	1
16	85479 A	WASHER- Flat	1
17	81255	NUT- Lock Hex (3/8-24)	1
18	80882	SCREW- Mach. (8-32 X 5/8")	2
19	02193	SCROLL- Air Guide	1
20	•A 02085 B	ROTOR	1
21	A 03610	STARTER PAWL KIT	1
22	75076	KEY- Woodruff	1
23	86217 S	SPARK PLUG (RCJ8Y)	1
24	84003	WASHER- Flat (#10)	4
25	82562	SCREW- Pan Hd. (10-24 X 5/8")	4
26	47869 5	COVER - Drivecase	1
27	81089 2	NUT-(3/8-16 x 5/16")	2

NOTE 1: A-03611-A FOAM KIT

Item No.	Torque Specs		Required Loctite
	In/Lbs	Nm	
5	8 - 12	.9 - 1.4	
9	30 - 40	3.4 - 4.6	
14	50 - 60	5.6 - 8.8	262 Red
18	30 - 40	3.4 - 4.6	
25	40 - 50	4.6 - 8.8	

Job	Description	Warranty Flat Rate	Time/Hr.
CA11	Solid State Module		.4
CA12	Ground Lead		.3
CA13	Hi-Tension Lead		.3
CG10	Starter Assembly		.3
CG11	Starter Pawls		.3

# ENGINE INTERNAL



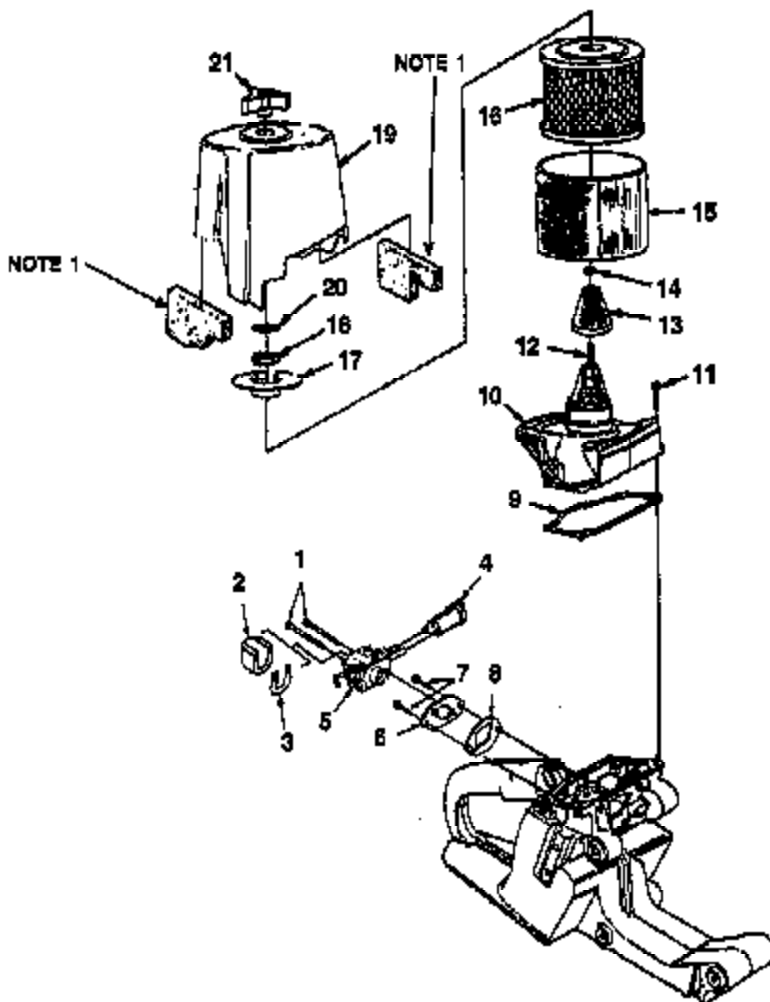
No.	Part No.	Description	Qty.
1	82248	SCREW- Mach. Hex Hd. (10-24 X 1")	4
2	97338 1A	BAFFLE- Cylinder	1
3	97263 2	BOOT- Intake	1
4	02822	ADAPTER- Intake	1
5	04835	GASKET- Intake	1
6	12021	WASHER- Conical (#10)	4
7	82248	SCREW- Cap Socket (10-24 X 1")	4
8	A 02830 A	CYLINDER & PISTON (Matched)	1
9	PS 97318	GASKET- CYLINDER	1
10	A 02824 1B	PISTON & PIN ASSY.	1
11	02825	PISTON RING	2
12	A 03787	CRANKSHAFT & ROD	1
13	93519	BEARING- Needle	1
14	A 08391	CRANKCASE ASSY. (See page 3, item 11)	1
15	94621 A	BEARING- Ball	2
16	99833	FITTING- Tube	1
17	81208	NUT- Lock Hex (10-24)	2
18	12889 A	NUT- Retainer	2
19	58306 B	SEAL- Shaft	1
20	PS 31082	PIN- Dowel	1
21	A 02121	COVER- CYLINDER	1
22	83397 A	SCREW- CYLINDER COVER	3
23	88057	SCREW- Hex 8mm (10-24 X 2")	6
24	75078	KEY- Woodruff	1

Item No.	Torque Specs		Required Loctite
	In/Lbs	Nm	
1	20-30	2.3-3.4	262 Red
7	80-90	9.0-10.2	262 Red
22	Hand Tight		

Job	Description	Warranty Flat Rate	
		Time/Hr.	
CB10	Partial Engine Rebuild	.....	.5
CB11	Complete Engine Rebuild	.....	2.0
CB15	Seal Rotor Side	.....	.4
CF17	Manifold	.....	.5

NOTE 1: A-03811-A FOAM KIT

# CARBURETOR - AIR CLEANER



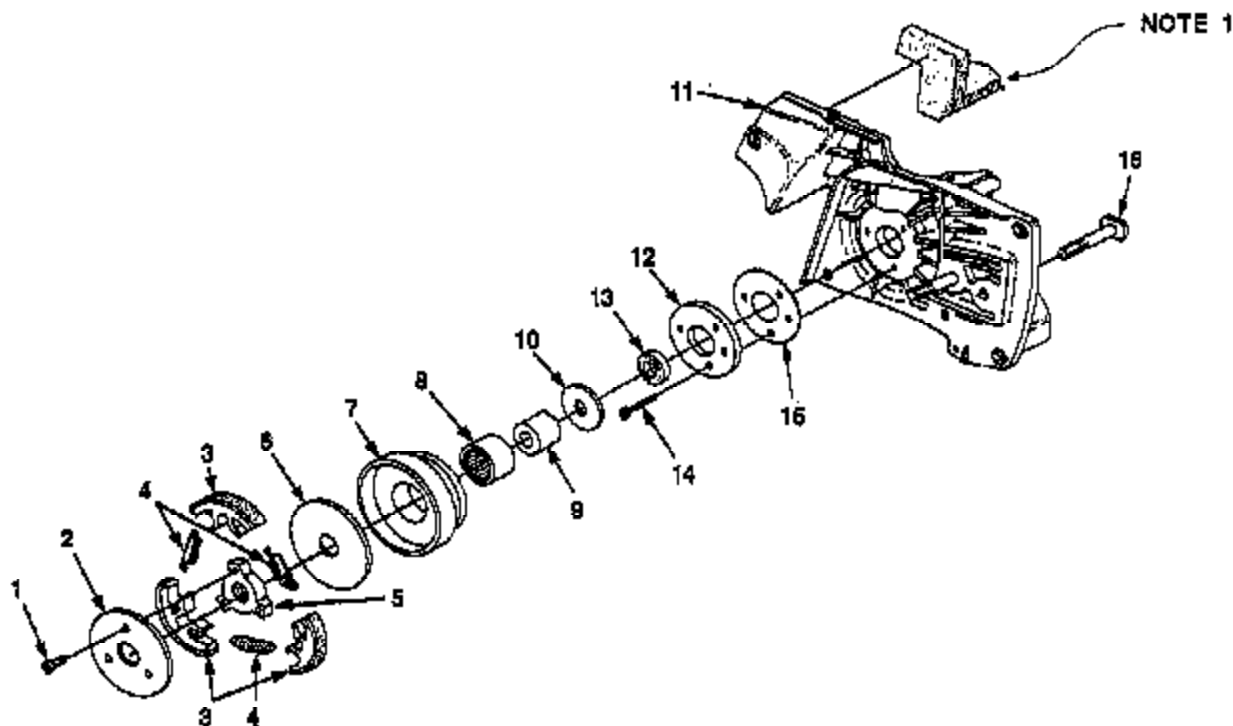
No.	Part No.	Description	Qty.
1	82527	SCREW- Hex Cap (10-14 X 2")	2
2	49673 2	SHIELD- Carburetor	1
3	49671	GASKET- Carburetor Shield	1
4	PS 97295	GROMMET	2
5	A 49510 A	CARBURETOR	1
6	A 97290 2A	ADAPTER- Carburetor	1
7	96620	SCREW- Torx Truss (10-24 X 1/2")	2
8	PS 97291	GASKET- Carburetor	1
9	PS 97299	GASKET- Carb. Chamber	1
10	49508 A	COVER- Carb. Chamber	1
11	80592	SCREW- Pan Hd. (8-32 X 5/8")	4
12	49511 A	BOLT	1
13	49555	FILTER- Air	1
14	94150	"O" Ring	2
15	49513	FELT PREFILTER	1
16	49512	ELEMENT- Air Filter	1
17	49898 1	AIR FILTER ELEMENT COVER	1
18	B1162	NUT- Hex (5/16-18)	1
19	A 49514 A	FILTER COVER	1
20	08365	KNOB	1
21	49072	RETAINING RING	1

NOTE 1: A-09611-A FOAM KIT

Item No.	Torque Specs		Required Loctite
	In/Lbs	Nm	
1	40-50	4.5-5.8	292 Red
7	30-40	3.4-4.5	292 Red
11	30-40	3.4-4.5	242 Blue

Warranty Flat Rate		
Job	Description	Time/Hr.
CD11	Carb Chamber	.8
CF10	Carburetor Replace	.8

# CLUTCH - CRANKCASE



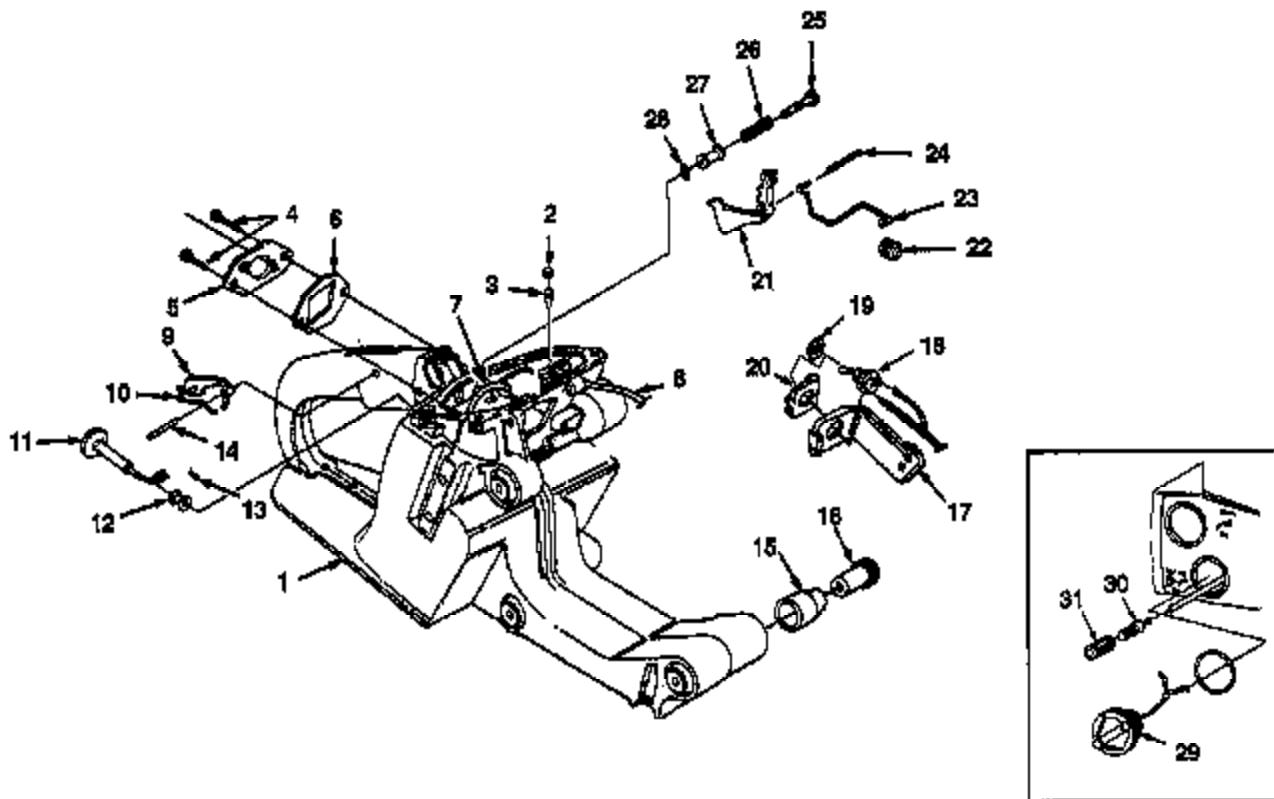
No.	Part No.	Description	Qty.
1	89041	SCREW- Hex Sems (8-32 X 3/4")	3
2	83628	CLUTCH COVER	1
3	A 83632 B	CLUTCH SHOE	3
4	83638 A	CLUTCH SPRING	3
5	83639	CLUTCH SPIDER	1
6	83650	WASHER- Thrust	1
7	*A 48543	PULLEY & DRUM	1
8	48071	NEEDLE BEARING	1
9	48070	RACE- Inner	1
10	48135	WASHER- Thrust	1
11	*A 08391	CRANKCASE ASSY. (COMPLETE)	1
12	*A 48537 A	RETAINING- Bearing	1
13	12305	SEAL	1
14	82223	SCREW- Socket Cap (10-24 X 5/8")	3
15	00181 D	GASKET	1
16	82505	WHEEL ARM BOLT (5-16-18 X 2.5")	2
	81208	NUT- Hex Lock (10-24) (Not shown)	4
	12659 A	RETAINER- Nut (Not shown)	2
	58308 B	SEAL- Shaft (Not shown)	1

Item No.	Torque Specs		Required Lubric
	in/Lbs	Nm	
1	30-40	3.4-4.5	262 Red
5	400	45.2	
14	40-50	4.5-5.6	262 Red

Warranty Flat Rate		
Job	Description	Time/Hr.
CB18	Seal PTO	.4
CC10	Clutch	.3

NOTE 1: A-03611-A FOAM KIT

# ENGINE HOUSING

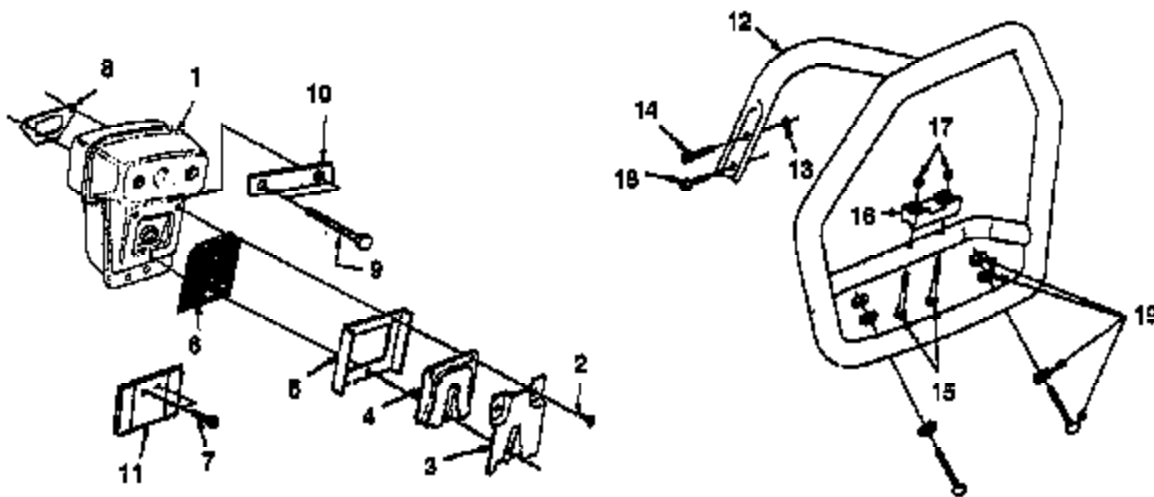


No.	Part No.	Description	Qty.
1	A 49770 A	HOUSING- Engine	1
2	93410 A	TANK VENT FILTER	2
3	99841	VALVE- Duck Bill	1
4	99820	SCREW- Torx Truss (10-24 X 1/2")	2
5	97290 2A	ADAPTOR- Carburetor	1
6	PB 97291	GASKET- Carburetor	1
7	93112 37	TUBING- Rubber (Fuel Line, 9 1/2")	1
8	93157 23	TUBING- Rubber (Pulse Line, 6 1/2")	1
9	93395 A	TRIGGER- Lock	1
10	PS 97265	SPRING- Flat	1
11	97292 1	ROD- Choke	1
12	84852	GROMMET	1
13	85324	PIN- Cotter	1
14	88548	PIN- Trigger	1
15	87305 2	ISOLATOR- Vibration	8
16	PS 97262	SLEEVE- Flanged	6
17	PA 97306 A	COVER, Switch	1
18	A 57650 A	SWITCH- Toggle	1
19	72084 A1	NUT- Hex	1
20	12783 A	PLATE- Indicating	1
21	95842	TRIGGER- Throttle	1
22	99899	BOOT- Throttle Rod	1
23	97294 A	ROD- Throttle	1
24	88548	PIN- Trigger	1
25	95871	PIN- Throttle Lock	1
26	95020	SPRING- Compression	1
27	95989	BUSHING- Flanged	1
28	58408	RING- Retaining	1
29	A 03131	FUEL CAP	1
30	A 97700	FUEL FILTER	1
31	59263 1A	FILTER ELEMENT	1

Torque Specs			
Item No.	In/Lb	Nm	Required
4	50-60	5,6-6,7	282 Red

Warranty Flat Rate		
Job	Description	Time/Hr.
CD12	.. Engine Housing	.8
CA17	.. Switch	.9
CF12	.. Fueling	.3
CF15	.. Replace Carb/Choke Linkage	.8

# MUFFLER - HANDLEBAR

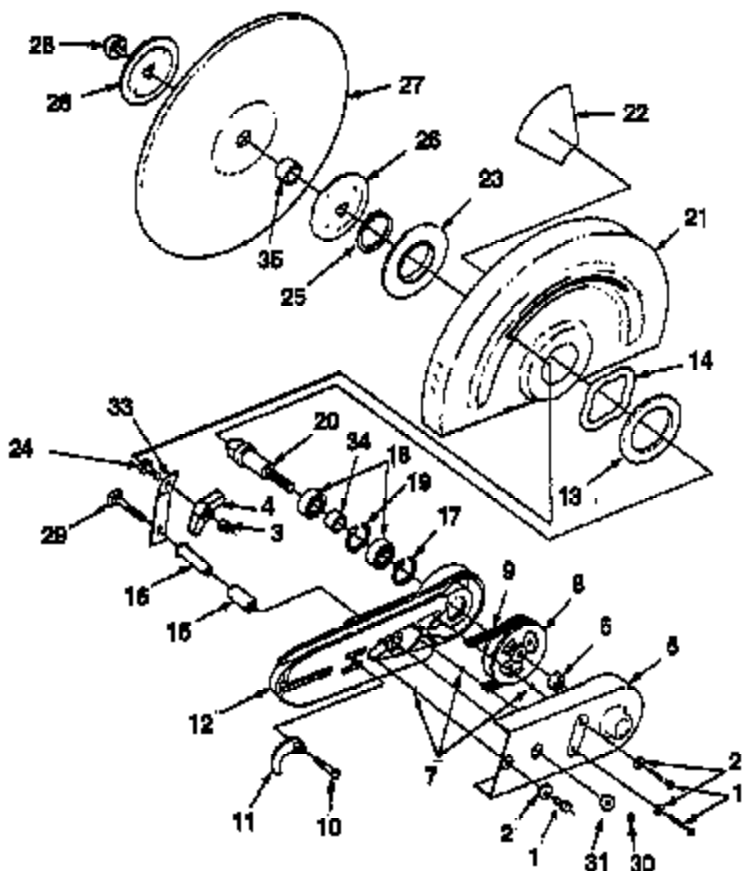


No.	Part No.	Description	Qty.
1	A 04490	MUFFLER ASSY.	1
2	80983	SCREW- Mach. Hex (8-32 X 1/2")	3
3	A 49545	SHIELD- Muffler	1
4	49525	CAP- Muffler	1
5	49548	SUPPORT- Spark Arrestor	1
6	95827	SCREEN- Spark Arrestor	1
7	82555 1	SCREW- Truss Hd. (10-24 X 3/4")	2
8	97582 B	GASKET- Muffler	1
9	82592	SCREW- Cap Hex Hd. (1/4-20 X 3/4")	2
10	04423	SHIELD- Muffler Cover	1
11	04451 A	PLATE- Retaining	1
12	A 49595 1	HANDLE BAR	1
13	81208	NUT- Hex Lock (10-24)	2
14	82555 1	SCREW- Truss Hd. (10-24 X 3/4")	1
15	96212	NUT- Locking (1/4-28")	2
16	49822 B	BRACKET- Handle Bar	1
17	82532	SCREW- Mach. Oval Hd. (1/4-20 X 1/2")	2
18	96820	SCREW- Truss Torx (T25)	2
19	A 03833	WEAR PAD KIT	1

Item No.	Torque Specs		Required Loctite
	lbf/Lbs	Nm	
2	25-30	2.9-3.4	
9	100-140	11.3-15.8	
14	60-70	6.7-7.9	
17	120-140	13.5-15.8	282 Red
18	60-70	6.7-7.9	282 Red

Warranty Flat Rate		
Job	Description	Time/Hr.
CB18	Muffler	.3
CD20	Handle Bar	.3

# WHEEL ARM



Job	Description	Warranty Flat Rate	Time/Hr.
CD36	.. Wheel Guard .....		.4
CD36	.. Pulley .....		.3
CD37	.. Wheel Arm/Shaft .....		.5
CD38	.. Belt Guard .....		.3
CT10	.. Drive Belt .....		.3

NO.	PART NO.	DESCRIPTION	Qty.
1	94149	Screw-Slotted	3
2	84026	Washer-Flat (1/4")	3
3	81182	Nut-Hex (5/16-18)	1
4	GP 11356 8	Knob-Handle	1
5	48986 C	Cover-Arm	1
6	81246	Nut-Hex Lock (1/2-13)	1
7	48482	"O" Ring	3
8	A 08233	Pulley-Driven	1
9	48068	Belt-"V" Drive	1
10	80087	Screw-Hex Hd. (5/16-18 X 1 1/2")	1
11	A 48184	Cam & Adjuster	1
12	A 48558	Arm-Wheel	1
13	47387	Shim	1
14	47388	Spring-Wave	1
15	48553 A	Tubing-Rubber	1
16	48818	Spacer-Guard Adjusting	1
17	PS 31748	Ring-Retaining	1
18	88107	Ball Bearing	2
19	47207	Retaining Ring	1
20	01808 1	Wheel Shaft	1
21	A 01872 B	Wheel Guard (12" only)	1
	A 01873 B	Wheel Guard (14" only)	1
22	48922 A	Caution Label	1
23	48000	Washer-Mounting (12" only)	1
	48000 1	Washer-mounting (14" only)	1
24	82518 A	Bolt-Step (5/16-18 X 1")	1
25	48085	Ring-Retaining	1
26	01808 1A	Flange-Wheel	1

NO.	PART NO.	DESCRIPTION	Qty.
27		Wheel-Resinoid (12" only) (See Note 1)	1
		Wheel-Resinoid (14" only) (See Note 1)	1
28	A 03412	Bolt & Washer	1
29	48818	Bolt-Sq. Neck, Rnd. Hd.	1
30	81182	Nut-Hex (5/16-18)	1
31	84027	Washer-Flat	1
32	48553 A	Tubing-Rubber	1
33	02839 1	Arm-Adjusting (12" only)	1
	48817 1	Arm-Adjusting (14" only)	1
34	48067	Spacer-Bearing	1
35	01802	Spacer (1" Dia.)	1
	01803	Spacer (22")	1
	01807	Spacer (20")	1

NOTE: See Accessories for different types of resinoid Wheels.

Part No.	Torque Specs		Required Lockfile
	In/Lbs	Nm	
1	35	3.8	
3	Hand Tight		
10	80	5.8	
30	50	5.6	

## WHEELS

ABRASIVE WHEELS MEULES ABRASIVES RUEDAS ABRASIVAS	12 INCH		14 INCH	
	Part No.	Arbor Size	Part No.	Arbor Size
Masonry and Concrete Pour béton et maçonnerie Mampostería y hormigón	64586 C 43230 AB 49828	1" 7/8" 20 mm	49569 49765 A	1" 20 mm
Metal Pour métal Metal	64587 C 43232 AB 49824	1" 7/8" 20 mm	49561 49768 A	1" 20 mm
Ductile and Cast Iron Pour fer et fonte Hierro dúctil y forjado	65421 B 43231 AB 49825	1" 7/8" 20 mm	49580 A 49767 A	1" 20 mm
Asphalt Asphalte Asfalto	03707	1"	03665	1"
<b>DIAMOND WHEELS</b> <b>ROUES-DIAMANT</b> <b>RUEDAS DE DIAMANTE</b>				
Premium Segmented Rim Disque segmenté de première qualité Corona segmentada perfeccionada	A 49751 A	1"	A 49572 A	1"
Premium Continuous Rim Disque de première qualité Corona perfeccionada	A 49753 A	1"	A 04831 A	1"
Standard Segmented Rim Disque segmenté standard Corona segmentada estándar	A 08397	1"	A 08398	1"
<b>SAW BLADES</b> <b>LAMES DE SCIE</b> <b>GUCHILLAS DE SIERRA</b>				
Carbide, Junkyard Dog™ Carbure, Junkyard Dog™ De carburo, Junkyard Dog™	08831	1"		
<b>REPLACEMENT ARM ASSEMBLIES (includes spacers for 1", 22mm 20mm wheel arbor</b> <b>ENSEMBLES DE GUIDE-ROUE DE REMPLACEMENT (comprend des saies d'épaisseur pour mandrin de meule de 1",</b> <b>22mm et 20mm).</b> <b>REPUESTO DE BRAZO DE LA RUEDA (Incluyendo arandelas para arbol de 1", 22mm y 20mm)</b>				
12" Wheel Arm w/1" Arbor Guide-roue 12" s/mandrin 1" 12" brazo de la rueda w/1" arbol	A49428D			
14" Wheel Arm w/1" Arbor Guide-roue 14" s/mandrin 1" 14" brazo de la rueda w/1" arbol	A49550C			

## ACCESSORIES & TOOLS

<b>Additional Accessories</b> <b>Accessoires supplémentaires</b> <b>Accesorios adicionales</b>	<b>Part No.</b>
Dolly Kit W/Depth Gage Plateau roulant avec jauge de profondeur Conjunto de carro con reguladores de profundidad	UT 08084
Carry Case with Insert Mallette de transport avec compartiment amovible Caja para transporte con pieza de inserción	A 18009 A
Wet Cut Kit Trousee pour coupe mouillée "Wet Cut Kit"	A 49649
Spark Arrestor Screen Écran pare-étincelles Pantalla de apagachispas	08827
<b>Tools</b> <b>Outils</b> <b>Herramientas</b>	<b>Part No.</b>
Combination Wrench (5/8, 3/4, & Screwdriver) Clé mixte (5/8, 3/4 et tournevis) Llave de fuerza de combinación (5/8, 3/4 y destornillador)	A 24824
1/2 Wrench Clé 1/2 Llave de fuerza de 1/2"	03000
Pusher Rotor Rotor tracteur Rotor extractor	A 17108 B