

Homelite®

GB PARTS LIST

F LISTE DE PIÈCES

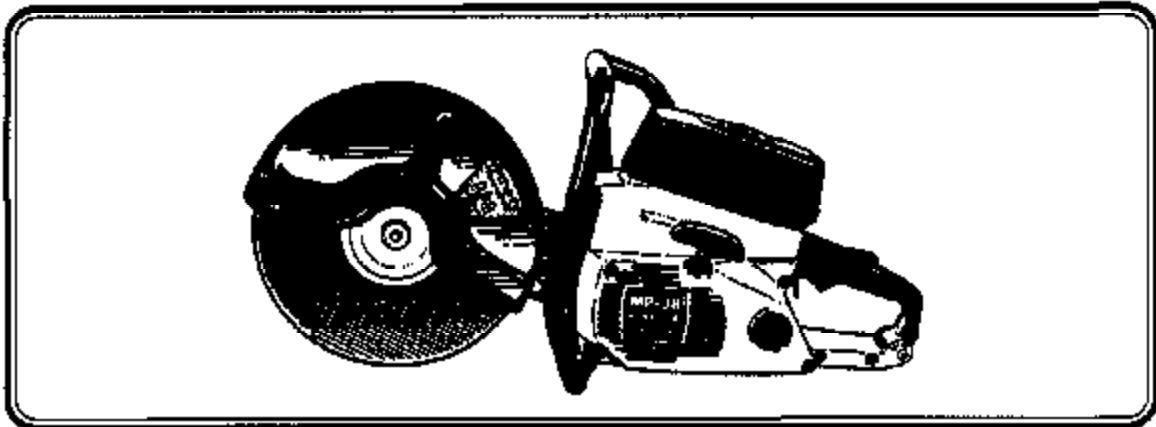
NL ONDERDELENLIJST

D TEILELISTE

I ELENCO DEI PEZZI

E LISTA DE PIEZAS

P LISTA DE PEÇAS



MP38

UT05057

MP38i

UT05061

MP38 W/12"

UT05071

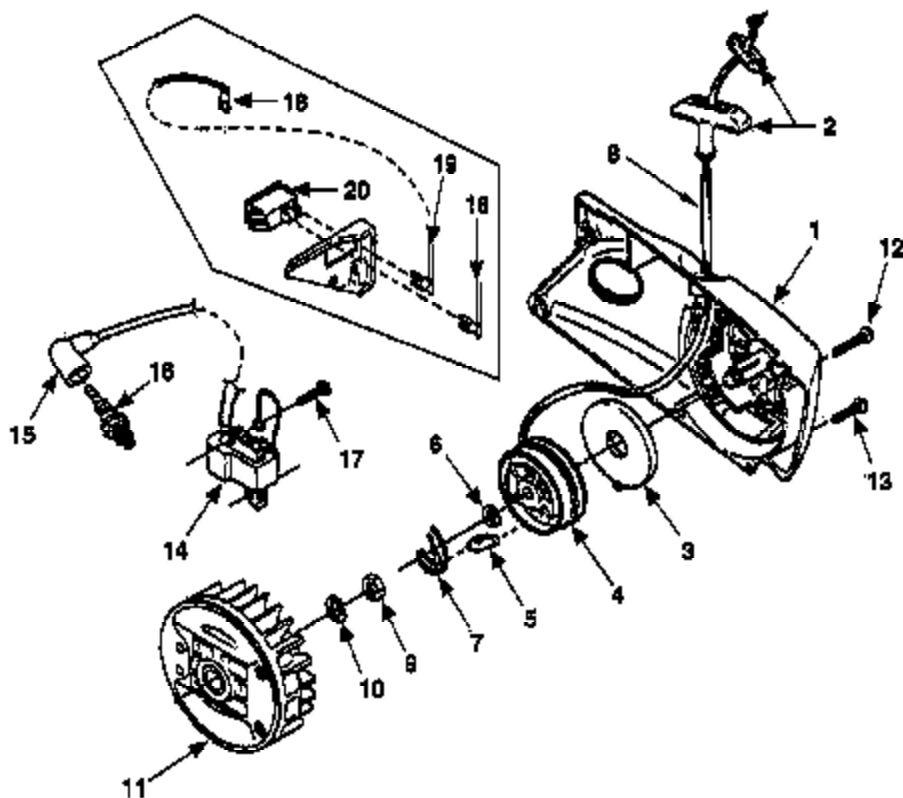
MP38 W/14"

UT05072

Printed in U.S.A.
Imprimé aux. E.-U.
Gedruckt in de V.S.
Gedruckt in den U.S.A.
Stampato negli Stati Uniti
Impreso en EE. UU.
Impreso nos E.U.A.

P/N 19815-A

STARTER-IGNITION

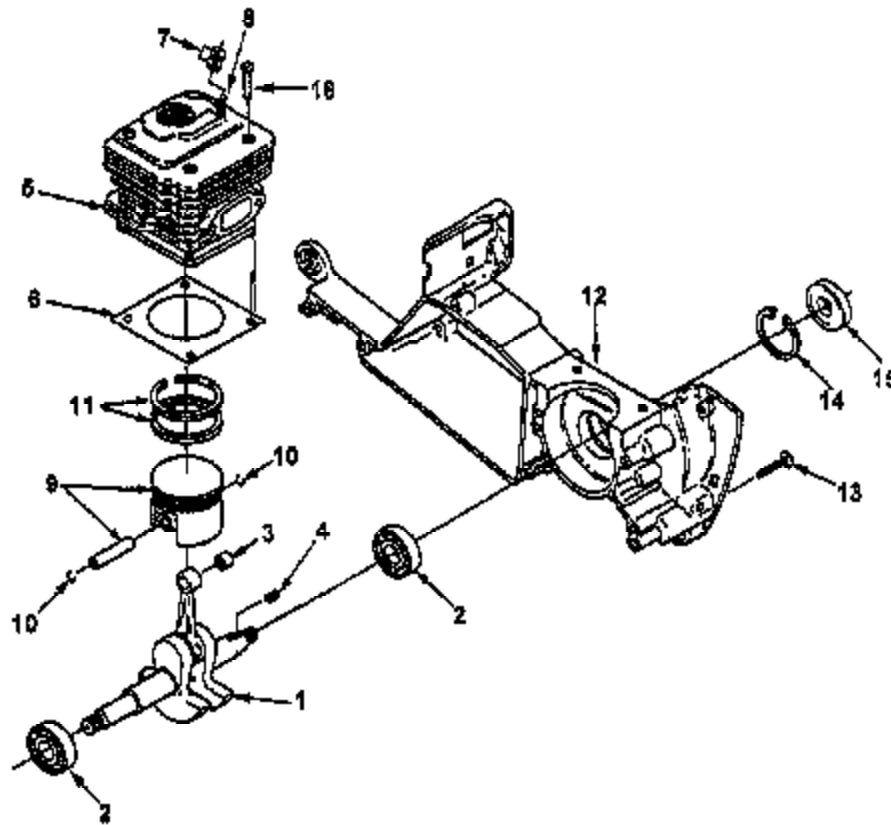


No.	Part No.	Description	Qty.
1	*A 03864 A	STARTER (Complete)	1
2	A 89802 B	GRIP-Blaster (w/insert)	1
3	A 87808	SPRING & CONTAINER	1
4	*A 03882	PULLEY ASSEMBLY	1
5	01274	WASHER-Thruel	1
6	98932 A	PAWL-Startor	1
7	03760 B	CLIP-Retainer	1
8	PS 87500	ROPE-Startor (45")	1
9	81124 A	NUT-Jam (3/8 - 24)	1
10	89102	WASHER-Lock (3/8")	1
11	02152 A	ROTOR	1
12	82558 1	SCREW-Turn Hd. (10-24 x 1 1/4")	1
13	82555 1	SCREW (10-24 x 3/4")	3
14	*A 03748 A	IGNITION MODULE (Sema/Walbro)	1
15	A 02597	SPARK PLUG BOOT KIT	1
16	83561 S	SPARK PLUG (CJBY)	1
17	86217 S	SPARK PLUG (RCJBY) (Reelstor)	1
18	82575	SCREW-Fan Hd (8-32 x 5/8")	2
19	A 03556	GROUND WIRE	1
20	A 02284	IGNITION GROUND WIRE	1
	01802	SWITCH	1

ITEM NO	TORQUE SPECS		REQUIRED LOCTITE
	In/Lbs	Nm	
8	225	25.4	
12	55	6.2	
13	55	6.2	
17	20	2.2	RED 262

Warranty Flat Rate		
Job	Description	Time/Hr.
CA11	Solid State Module	.4
CA12	Ground Lead	.3
CA13	H-Tension Lead	.3
CG10	Starter Assembly	.3
CG11	Starter Pawls	.3

ENGINE INTERNAL

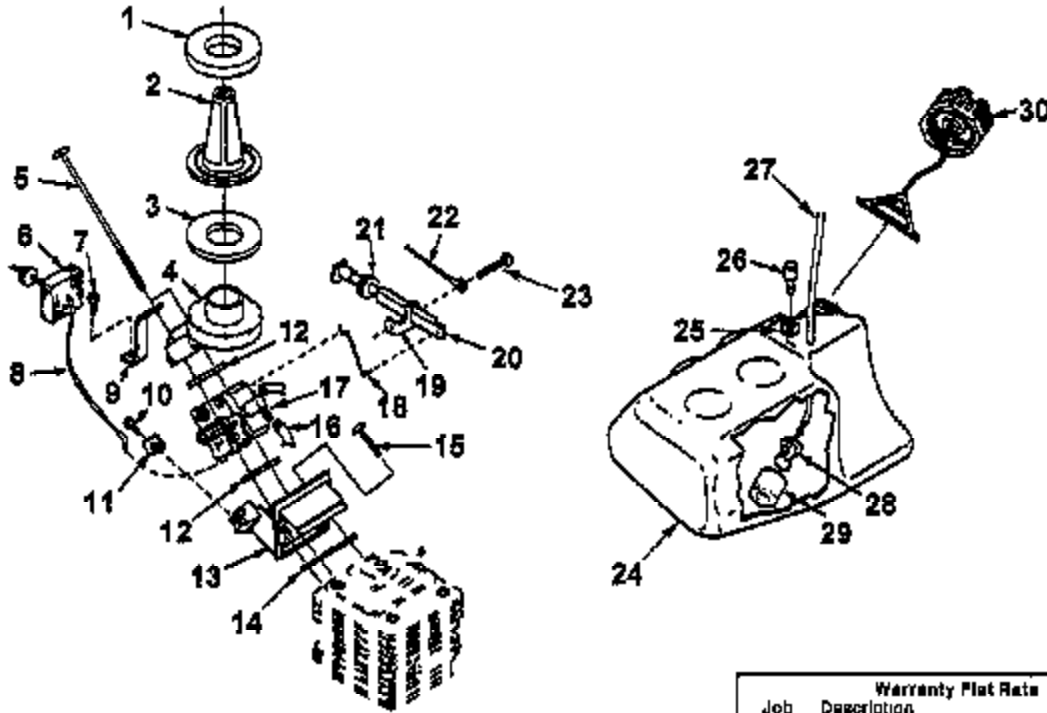


No.	Part No.	Description	Qty.
1	▪ A 03889	CRANKSHAFT	1
2	98797 1	BEARING-Ball	2
3	02181 A	BEARING-Piston Pin	1
4	75078	KEY-Woodruff	1
5	▪ A 03881	CYLINDER & PISTON ASSEMBLY	1
6	01688	GASKET-Cylinder	1
7	02425	SPACER	2
8	02346	STUD-(10-24 X 1 1/4")	5
9	▪ A 01279	PISTON (1.890 Dia.)	1
10	02181	RING-Retaining	2
11	02182	RING-Piston	2
12	▪ A 02272 B	CRANKCASE	1
13	92566 1	SCREW-Truss Hd. (10-24 X 1 1/4")	8
14	28922 1	RETAINER-Bearing	1
15	98197 A	SEAL-Main	2
18	92680	SCREW-Pan Hd (12-24 x 3/4")	4

ITEM NO	TORQUE SPECS		
	In/Lbs	Nm	REQUIRED LOCKTITE
13	55	6.2	RED 262
18	85	9.6	RED 262

Warranty Flat Rate		
Job	Description	Time/Hr
CB10	Partial Engine Rebuild	6
CB11	Complete Engine Rebuild	2.0
CB15	Seal Rotor Side	4

CARBURETOR-FUEL TANK

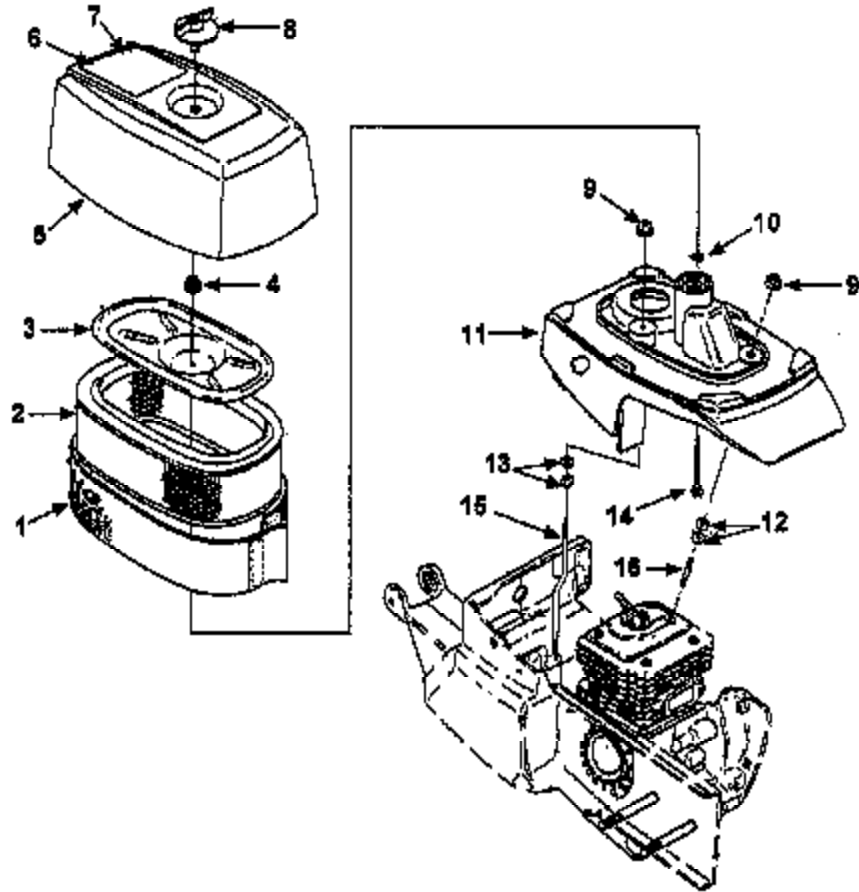


Job	Description	Warranty Flat Rate	Time/Hr
CF10	Carburetor Replace3
CF12	Fuel Line3
CF15	Replace Carb/Choke Linkage3
CF16	Fuel Tank4
CF17	Manifold5

ITEM NO	TORQUE SPEC'S		REQUIRED LOCTITE
	in/Lbs	Nm	
5	45	5	
7	65	7.3	
10	15	1.7	
16	45	5	RED 262
23	55	6.2	

NO.	PART NO.	DESCRIPTION	Qty.	NO.	PART NO.	DESCRIPTION	Qty.
1	02300	GASKET-Foam (1/4")	1	17	A 02299 B	CARBURETOR-Walbro	1
2	02301	FILTER-Screen	1		03757	GROMMET-HI-Lo (Not Shown)	1
3	02302	GASKET-Foam	1	18	A 06369	CHOKE LINK & RETAINER	1
4	A 03272	ADAPTOR-Intake	1	19	03933	BRACKET-Cable	1
5	82582	SCREW-Truss Hd. (6-16 X 3 1/4")	2	20	02314	ROD-Choke	1
6	03758	PAD-Foam	1	21	84862	GROMMET	1
7	98620 1	SCREW-Torx (10-24 X 1/2")	1	22	A 03558	GROUND WIRE	1
8	A 02315	CABLE-Throttle	1	23	82558 1	SCREW-Truss Hd. (10-24 X 1 1/4")	1
9	02313 A	BRACKET-Air Intake	1	24	*A 03402 A	TANK-Fuel	1
10	82519	SCREW-Thread Form. (6-19 X 1/2")	1	25	84862	GROMMET	1
11	03466	BRACKET-Cable End	1	26	A 02294	FILTER SLEEVE (Complete)	1
12	02295	GASKET-Carburetor	2	27	94772 40	TUBING-Rubber (10")	1
13	02298 1	ADAPTOR-Intake	1	28	*A 97700	FILTER-Fuel	1
14	02297	GASKET-Adaptor	1	29	59253 1A	FILTER-Fuel	1
15	82671	SCREW-Pan Hd. (10-24 X 1")	3	30	A 00904 A	CAP-Tank (w/Retainer)	1
16	93157 19	TUBING,Pulse line (4 3/4")	1				

AIR CLEANER

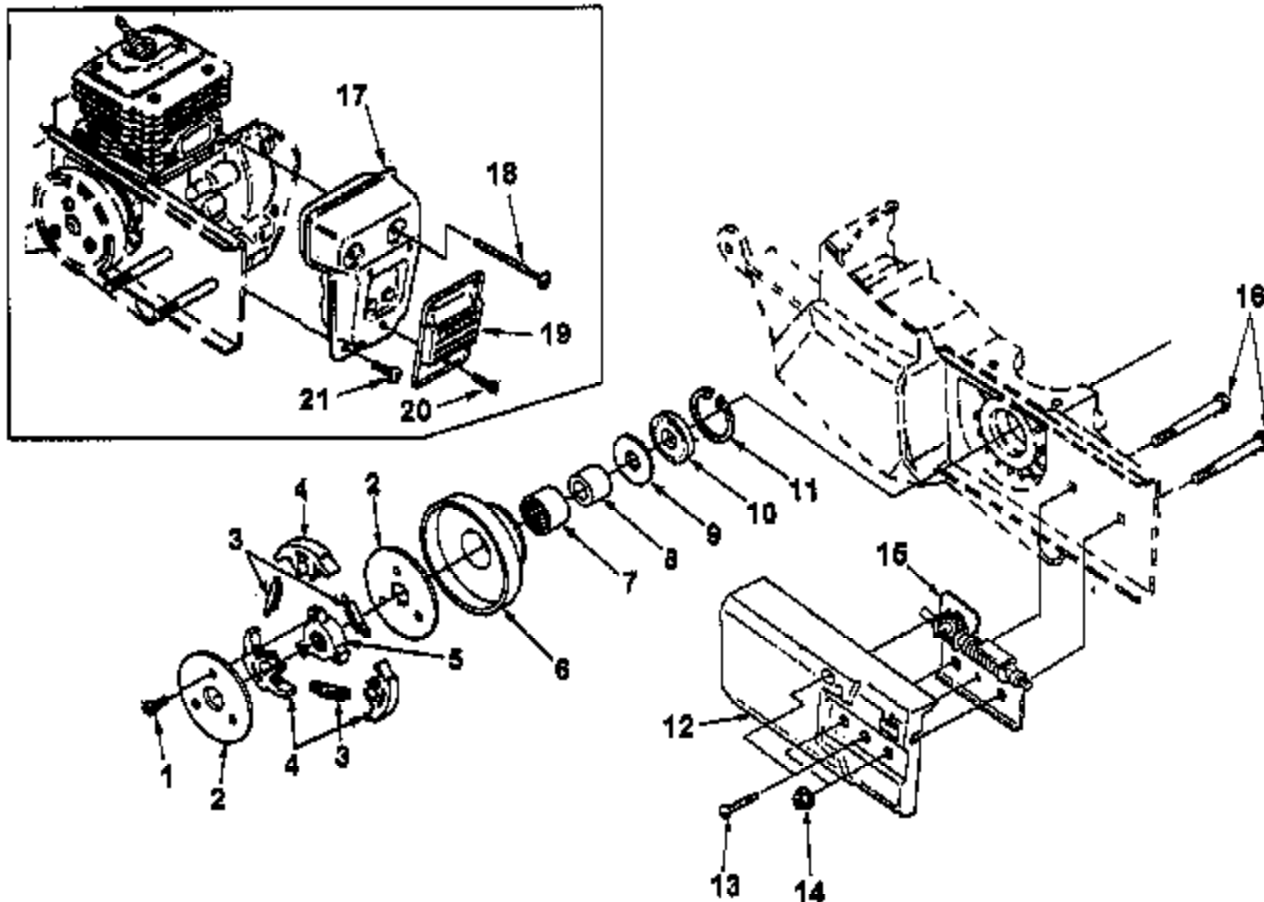


No.	Part No.	Description	Qty.
1	02307	PREFILTER-Felt	1
2	02308	ELEMENT-Air Filter	1
3	02309 1	COVER-Air Filter Element	1
4	02330	NUT-Hex Conical	1
5	A 03880 A	COVER-Air Filter	1
6	03621	DECAL-Warning (French)	1
7	03620	DECAL-Warning (Eng.)	1
	04644	DECAL-Warning (Int.)	1
8	A 03024	KNOB & INSERT	1
9	02330	NUT- Hex	2
10	03383	O-Ring	1
11	02303 A	COVER-Cylinder	1
12	02425	SPACER-Insulating	2
13	81092	NUT-Hex	2
14	92554	SCREW-Hex Cap (10-24 X 1 3/4")	1
15	02347	STUD-Offset (10-24)	1
16	02348	STUD (10-24 x 1")	1

ITEM NO	TORQUE SPECS		REQUIRED LOCTITE
	InLbs	Nm	
4	40	4.5	
9	40	4.5	
15	Hand Tight		BLUE 242
16	15	1.8	

Warranty Flat Rate		
Job	Description	Time/Hr.
CD11	Carb Chamber	.5

CLUTCH-EXHAUST SYSTEM

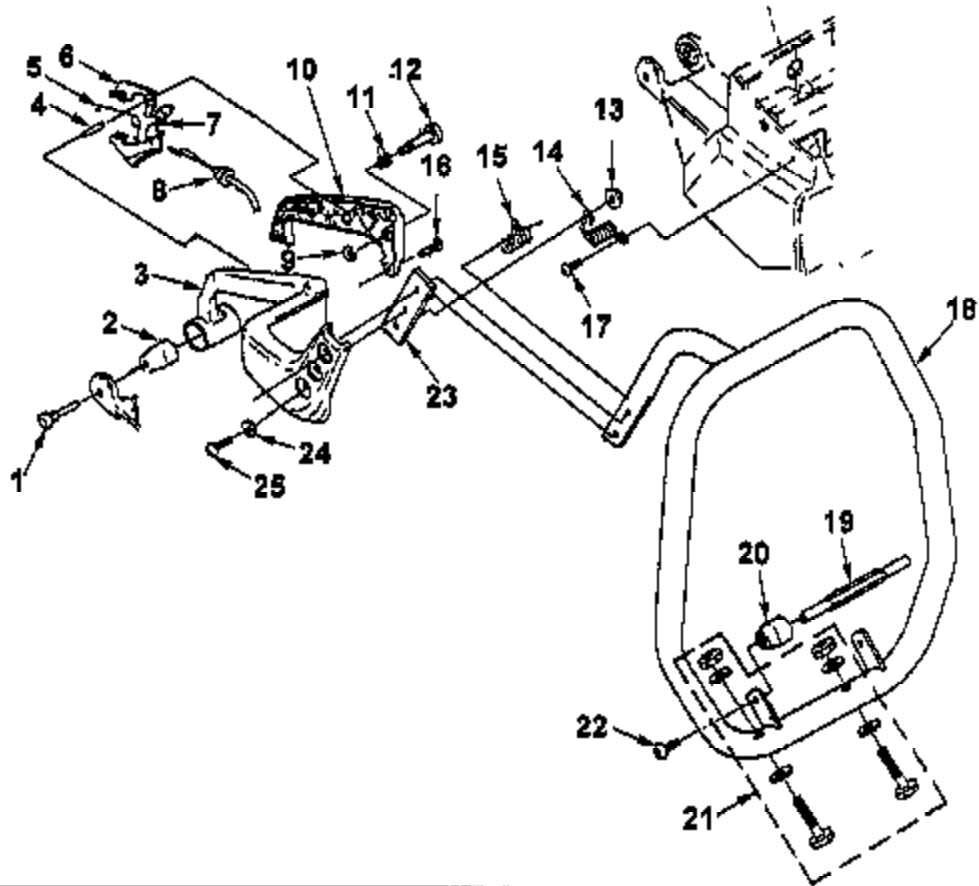


No.	Part No.	Description	Qty.
1	82253	SCREW-Machine Hex Hd. (8-32 X 3/8")	3
2	93628	COVER-Clutch	2
3	93638 A	SPRING-Clutch	3
4	78239	SHOE-Clutch	3
5	02334	CLUTCH-Spider	1
6	A 48548	PULLEY-Drum & Bearing	1
7	48071	BEARING-Needle	1
8	48070	RACE-Inner	1
9	48136	WASHER-Thrust	1
10	98187 A	SEAL-Main	1
11	28922 1	RETAINER-Bearing	1
12	A 02329 A	CLUTCH-Cover	1
13	82675	SCREW- Teptite (8-32 x 5/8")	2
14	61282	NUT-Hex Flange (5/16-18)	2
15	A 03679 A	GEAR KIT	1
16	02327	BOLT-Wheel Arm	1
17	A 02267	MUFFLER	1
18	82674	SCREW-Trust Hd. (10-24 x 2 1/2")	2
19	A 98747	CAP- Muffler	1
20	80988	SCREW-Machine Hex Hd. (8-32 x 1/2")	3
21	98620 1	SCREW-Taxx (10-24 x 1/2")	2

ITEM NO	TORQUESPEC		
	IN/Lbs	Nm	REQUIRED LOCTITE
1	65	8.2	BLUE 242
5	400	45.2	RED 262
12	20	2.2	
14	140	15.8	
18	55	6.2	
21	55	6.2	

Warranty Flat Rate		
Job	Description	Time/Hr.
CB18	Seal PTO	.4
CB18	Mutler	.3
CC10	Clutch	.3

HANDLES



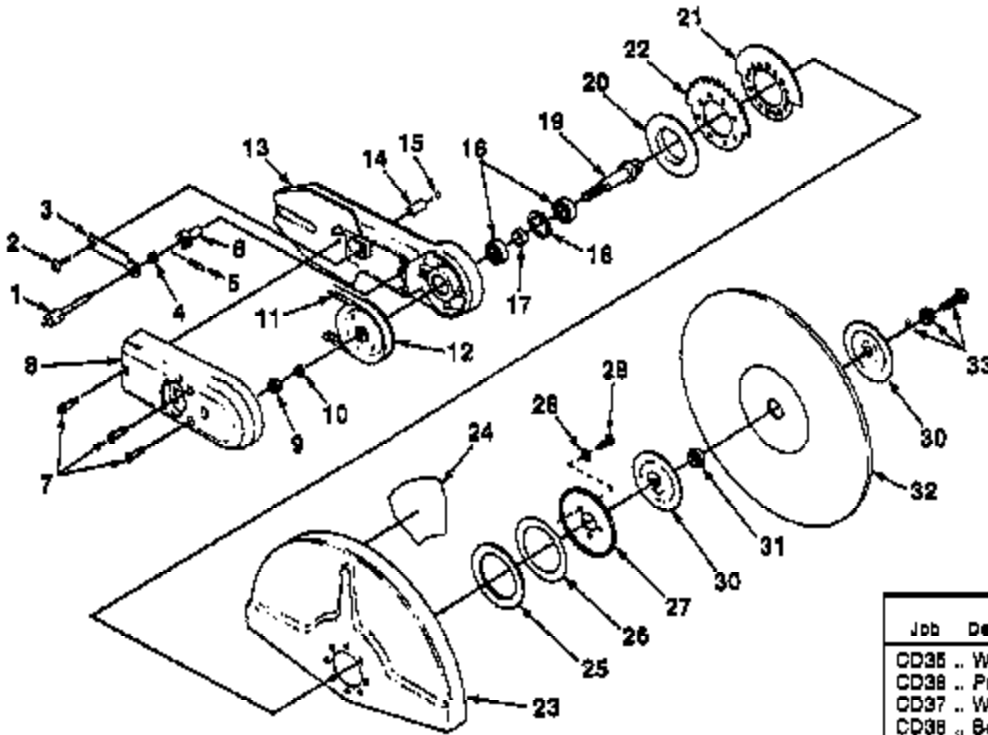
No.	Part No.	Description	Qty.
1	93367	ISOLATOR PIN	3
2	93366 A	ISOLATOR-Vibration	2
3	02318	HANDLE-Rear	1
4	88548	PIN-Trigger	1
5	02318	SPRING-Throttle	1
6	93365 A	LOCK-Trigger	1
7	A 03806 A	TRIGGER & SWIVEL	1
8	A 02315	CABLE-Throttle	1
9	88409	RING-Retaining	1
10	02319	COVER-Handle	1
11	95020	SPRING-Compression	1
12	88671	PIN-Throttle Lock	1
13	02330	NUT-Hex (10-24)	1
14	PS 03536	SPRING-Isolation (Large)	1
15	PS 03538	SPRING-Isolation (Small)	1
16	82538	SCREW-Plastic (8-18 x 5/8")	4
17	98820 f	SCREW-Torx Hd. (10-24 X 1/2")	4
18	A 08328	HANDLE BAR	1
19	02277 A	SPACER	1
20	97305 1A	ISOLATOR-Vibration	2
21	A 03838	KIT-Wear Pad	1
22	98820 f	SCREW-Torx Hd. (10-24 x 1/2")	2
23	03078	STRAP, Reinforcing	2
24	95035	WASHER (#12-11/16)	3
25	82555 1	SCREW-Truss Hd. (10-24 x 3/4")	3

ITEM NO	TORQUE SPECS		REQUIRED LOCTITE
	IN/Lbs	Nm	
1	80	6.8	ANTI SEIZE
13	40	4.5	
18	95	9.9	
17	65	6.2	
22	65	6.2	

Warranty Flat Rate		
Job	Description	Time/Hr
CD30	Handle Bar	8
CF15	Replace Carburetor Linkage	3

1/27/98

WHEEL ARM ASSEMBLY



Warranty Flat Rate		
Job	Description	Time/Hr.
CD35	Wheel Guard	4
CD36	Pulley	3
CD37	Wheel Arm/Shaft	5
CD38	Bell Guard	3
CT10	Drive Belt	3

ITEM NO	TORQUE SPECS		REQUIRED LOCTITE
	InLbs	Nm	
2	55	6.2	RED 262
7	35	3.9	
9	640	6.1	RED 262
29	65	6.2	
33	65	6.2	

NO.	PART NO.	DESCRIPTION	Qty.
1	* A 00660	KNOB & PIN	1
2	98620 1	SCREW-Truss Hd. (10-24 X 1/2")	1
3	01923	PLATE-Spring	1
4	01922	SPACER-Adjusting Pin	1
5	JA 46135 9	PIN-Roll	1
6	01921	SLEEVE-Cam	1
7	95792	SCREW-Round Hd. (10-24 X 23/32")	3
8	07704	BELT-Cover	1
9	02429	NUT-Hex	1
10	JA44614 B	WASHER-Lock (7/16)	1
11	48068	BELT- V-Drive	1
12	A 02691	PULLEY & HUB	1
13	07658 3A	ARM-Wheel	1
14	02287	SNUGGER	1
15	00599	STEEL BALL	1
16	63107	BEARING-Ball	2
17	01816	SPACER-Bearing	1
18	PS 31746	RING-Retaining	1
19	01908 1	SHAFT-Wheel	1
20	01915	COLLAR-Wheel Guard	1
21	01914 A	PAD-Adjuster	1
22	01913	DETENT-Adjuster	1

NO.	PART NO.	DESCRIPTION	Qty.
23	* A 04647 A	WHEEL GUARD & DECAL / 12"	1
24	04646 A	DECAL-Caution	1
23	* A 07695	WHEEL GUARD & DECAL / 14"	1
24	04645 A	DECAL-Caution	1
25	01912	WASHER-Rubber	1
26a	01911 01	SHIM-.020"	1
26b	01911 02	SHIM-.030" (Alt. Part)	0
27	01910	WASHER-Spring	1
28	99995	WASHER (#12 x 11/16)	3
29	98620-1	SCREW-Truss Hd. (10-24 X 1/2")	3
30	01909-1A	FLANGE-Wheel	1
31	01802	SPACER (1")	1
	01903	SPACER (22mm)	1
	01907	SPACER (20mm)	1
32	*	WHEEL	1
33	A-08412	BOLT & WASHER	1

* See Page 9

WHEELS

ABRASIVE WHEELS MELES ABRASIVOS RUEDAS ABRASIVAS	12 INCH		14 INCH	
	Part No.	Arbor Size	Part No.	Arbor Size
Masonry and Concrete Pour béton et maçonnerie Mampostería y hormigón	64598 C 43230 B 49826	1" 7/8" 20 mm	49559 A 49765 A	1" 20 mm
Metal Pour métal Metal	84567 C 43232 B 49824	1" 7/8" 20 mm	49561 A 49768 A	1" 20 mm
Ductile and Cast Iron Pour fer et fonte Hierro dúctil y forjado	86421 B 43231 B 49828	1" 7/8" 20 mm	49560 A 49767 A	1" 20 mm
Asphalt Asphalte Asfalto	08707 A	1"	08696 A	1"
DIAMOND WHEELS ROUES-DIAMANT RUEDAS DE DIAMANTE				
Premium Segmented Rim Disque segmenté de première qualité Corona segmentada de primera calidad	A 49753 A	1"	A 04831 A	1"
Standard Segmented Rim Disque segmenté standard Corona segmentada estándar	A 49751 A	1"	A 49572 A	1"
SAW BLADES LAMES DE SCIE CUCHILLAS DE SIERRA				
Carbide, Junkyard Dog™ Carbure, Junkyard Dog™ De carburo, Junkyard Dog™	08831	1"		

REPLACEMENT ARM ASSEMBLIES (includes spacers for 1", 22mm 20mm wheel arbor

ENSEMBLES DE GUIDE-ROUE DE REMPLACEMENT (comprend des esles d'épaisseur pour mandrin de meule de 1", 22mm et 20mm).

REPUERTO DE BRAZO DE LA RUEDA (Incluyendo arandelas para arbol de 1", 22mm y 20mm)

12" Wheel Arm w/1" Arbor A08337 A
Guide-roue 12" s/mandrin 1"
12" brazo de la rueda w/1" arbol

14" Wheel Arm w/1" Arbor A08338 A
Guide-roue 14" s/mandrin 1"
14" brazo de la rueda w/1" arbol

ADDITIONAL ACCESSORIES

	Part No.
Roller kit w/Depth Gauge Plateau roulant avec jeu de profondeur Conjunto de carro con reguladores de profundidad	UT 05064
Carry Case with insert Mallette de transport avec compartiment amovible Caja para transporte con pieza de inserción	A 18008 A
Wet Cut Kit Trousee pour coupe mouillée "Wet Cut Kit"	A 49849
Spark Arrestor Screen Écran pare-étincelles Pantalla de apagachispas	98827

TOOLS

	Part No.
Combination Wrench (1/2, 3/4, & Screwdriver).....	18188
Cle mixta (1/2, 3/4 et tournevis)	
Llave de fuerza de combinaci3n (1/2, 3/4 y destornillador)	
1/2 Wrench	03000
Cle 1/2	
Llave de fuerza de 1/2"	
Puller Rotor	A 17108 B
Rotor extracteur	
Rotor extractor	

CUSTOMER ASSISTANCE

FOR THE LOCATION OF YOUR NEAREST
HOMELITE®
 SERVICE DEALER
 IN THE UNITED STATES, PUERTO RICO, AND
 THE VIRGIN ISLANDS,
 CALL:
1-800-242-4672

HEADQUARTERS

John Deere Consumer Products, Inc.
 P.O. BOX 7047
 CHARLOTTE, N.C. 28241

<p>OVERSEAS OFFICES</p>		<p style="text-align: center; border-bottom: 1px solid black;">CANADIAN OFFICE</p> <p style="text-align: center;">Homelite Canada Limited Homelite Canada Limit6e</p> <hr style="width: 20%; margin: 10px auto;"/> <p style="text-align: center;">A Deere & Company Affiliate/ Une Filiale de Deere & Company 1850-884th Avenue Lachine, Qu6bec, Canada H8T 3J6 1-800-383-5715</p>
<p style="text-align: center; border-bottom: 1px solid black;">EUROPE, AFRICA & MIDDLE-EAST</p> <p style="text-align: center;">Homelite Netherlands B.V. A Deere & Company Affiliate Havenstraat 24 2158 GB Nieuw Vennep The Netherlands</p>	<p style="text-align: center; border-bottom: 1px solid black;">FRANCE</p> <p style="text-align: center;">Homelite Atlantic SARL Groupe Deere & Co. BP 7011 95050 Cergy Pontoise Cedex France</p>	
<p style="text-align: center; border-bottom: 1px solid black;">AUSTRALIA</p> <p style="text-align: center;">Homelite Pacific Ltd. A Deere & Company Affiliate ACN 008 863 838 94 Rushdale Street P.O. Box 858 MDA Australia</p>		

John Deere Consumer Products, Inc.