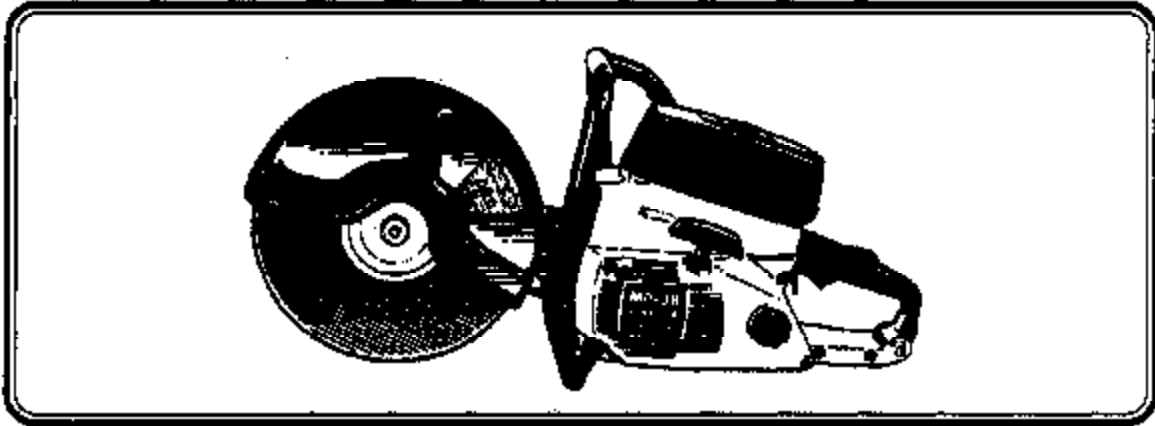


Homelite®

PARTS LIST



MP38 W/12"

UT05071 A

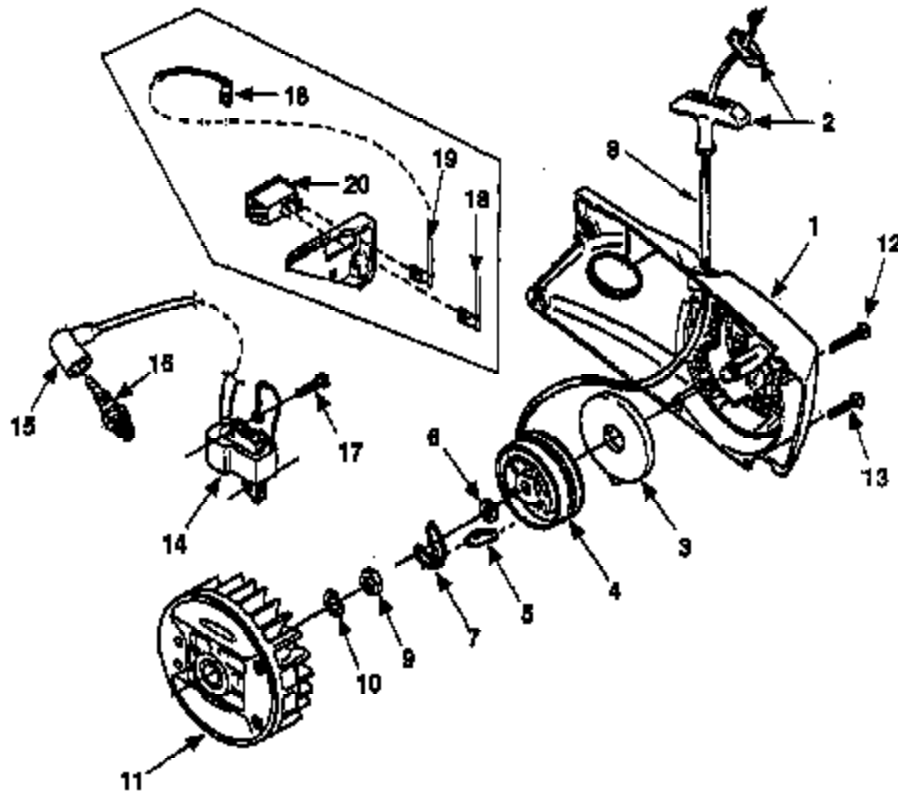
MP38 W/14"

UT05072 A

Printed in U.S.A.
Imprimé aux E.-U.
Gedruckt in de V.B.
Gedruckt in den U.S.A.
Stampato negli Stati Uniti
Impresso en EE. UU.
Impresso nos E.U.A.

P/N PS00143

STARTER-IGNITION

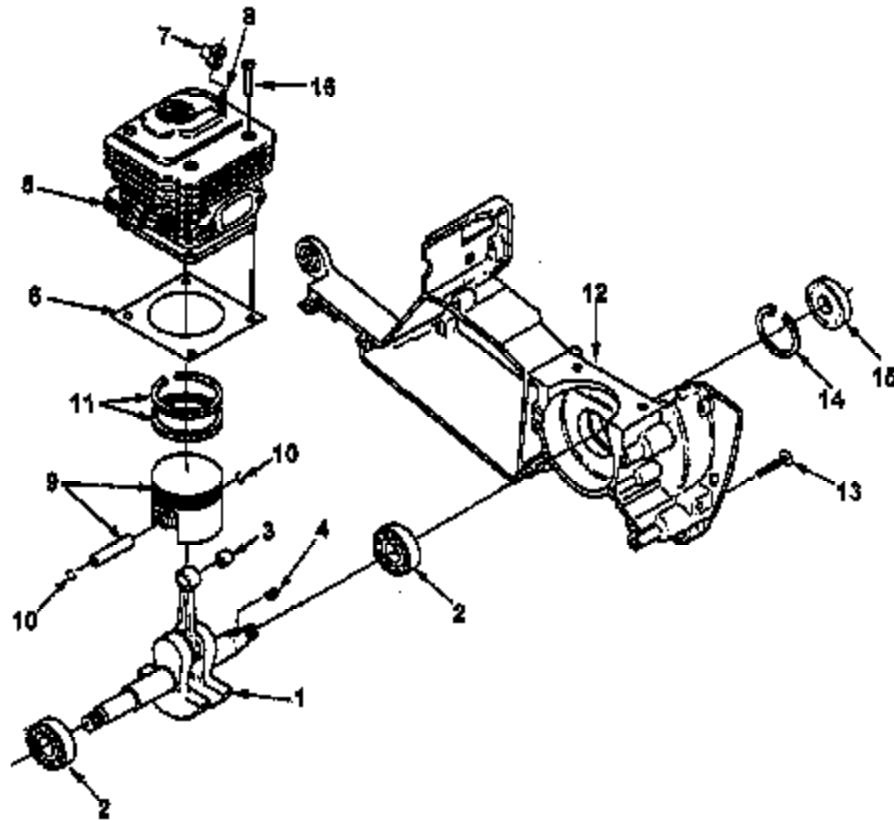


No.	Part No.	Description	Qty.
1	A 03884 A	STARTER (Complete)	1
2	A 88982 B	GRIP-Starter (w/insert)	1
3	A 97908	SPRING & CONTAINER	1
4	A 03882	PULLEY ASSEMBLY	1
5	01274	WASHER-Thrust	1
6	98332 A	PAWL-Starter	1
7	03750 B	CLIP-Retainer	1
8	PS 97500	ROPE-Starter (45')	1
9	81124 A	NUT-Jam (3/8 - 24)	1
10	83102	WASHER-Lock (3/8")	1
11	PS 00090	ROTOR	1
12	82556 1	SCREW-Trust Hd. (10-24 x 1 1/4")	1
13	82556 1	SCREW (10-24 x 3/4")	3
14	PA 00033	IGNITION MODULE	1
15	A 02597	SPARK PLUG BOOT KIT	1
16	83681 B	SPARK PLUG (CJ8Y)	1
17	88217 B	SPARK PLUG (RCJ8Y) (Resistor)	1
18	82575	SCREW-Pan Hd (8-32 x 5/8")	2
19	A 03686	GROUND WIRE	1
19	A 02284	IGNITION GROUND WIRE	1
20	01802	SWITCH	1

ITEM NO	TORQUE SPEC		
	In.Lbs	Nm	REQUIRED LOCKTITE
9	225	25.4	
12	65	8.2	
13	65	8.2	
17	20	2.2	REQ 262

Warranty Flat Rate		
Job Description		Time/Hr.
CA11 .. Solid State Module		.4
CA12 .. Ground Lead		.3
CA13 .. Hi-Tension Lead		.3
CG10 .. Starter Assembly		.3
CG11 .. Starter Pawls		.3

ENGINE INTERNAL



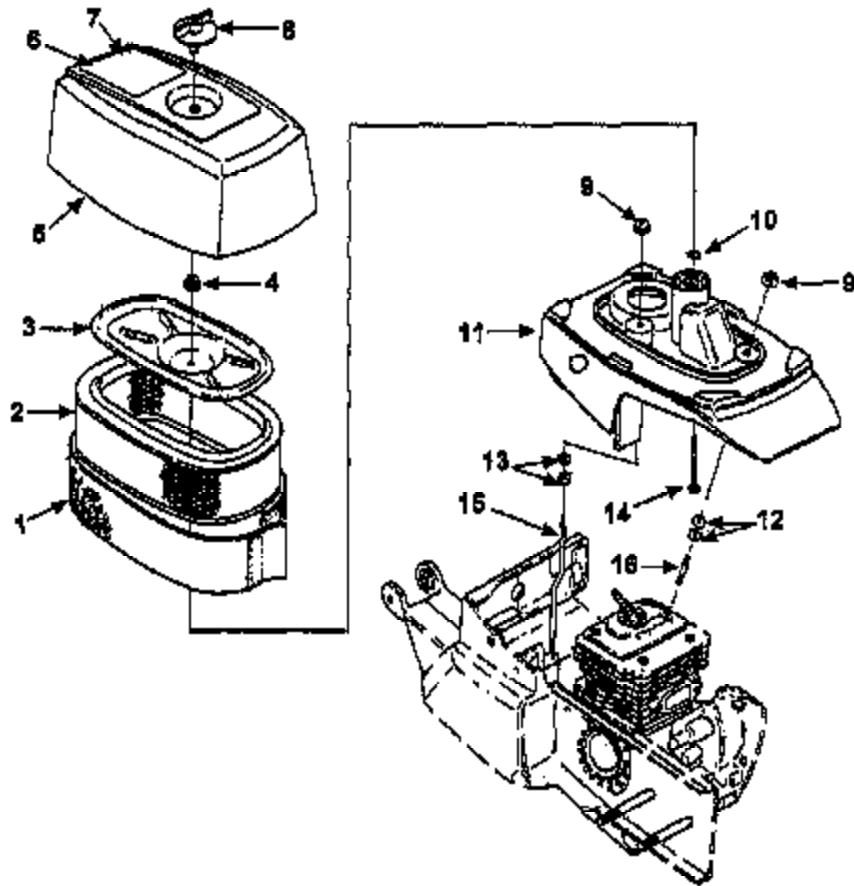
No.	Part No.	Description	Qty.
1	* A 03683	CRANKSHAFT	1
2	98797 1	BEARING-Ball	2
3	02151 A	BEARING-Piston Pin	1
4	75078	KEY-Woodruff	1
5	* A 03681	CYLINDER & PISTON ASSEMBLY	1
6	01588	GASKET-Cylinder	1
7	02425	SPACER	2
8	02346	STUD-(10-24 X 1 1/4")	5
9	* A 01273	PISTON (1.680 Dia.)	1
10	02161	RING-Retaining	2
11	02162	RING-Piston	2
12	* A 02272 B	CRANKCASE	1
13	82568 1	SCREW-Trust Hd. (10-24 X 1 1/4")	9
14	28922 1	RETAINER-Bearing	1
15	98187 A	SEAL-Main	2
16	82580	SCREW-Pan Hd (12-24 x 3/4")	4

ITEM NO	TORQUE SPECS		REQUIRED LOCTITE
	In/Lbs	Nm	
13	55	6.2	RED 262
16	85	9.8	RED 262

Warranty Flat Rate		
Job	Description	Time/Hr.
CB10	Partial Engine Rebuild	.8
CB11	Complete Engine Rebuild	2.0
CB16	Seal Rotor Side	.4

03/23/96

AIR CLEANER

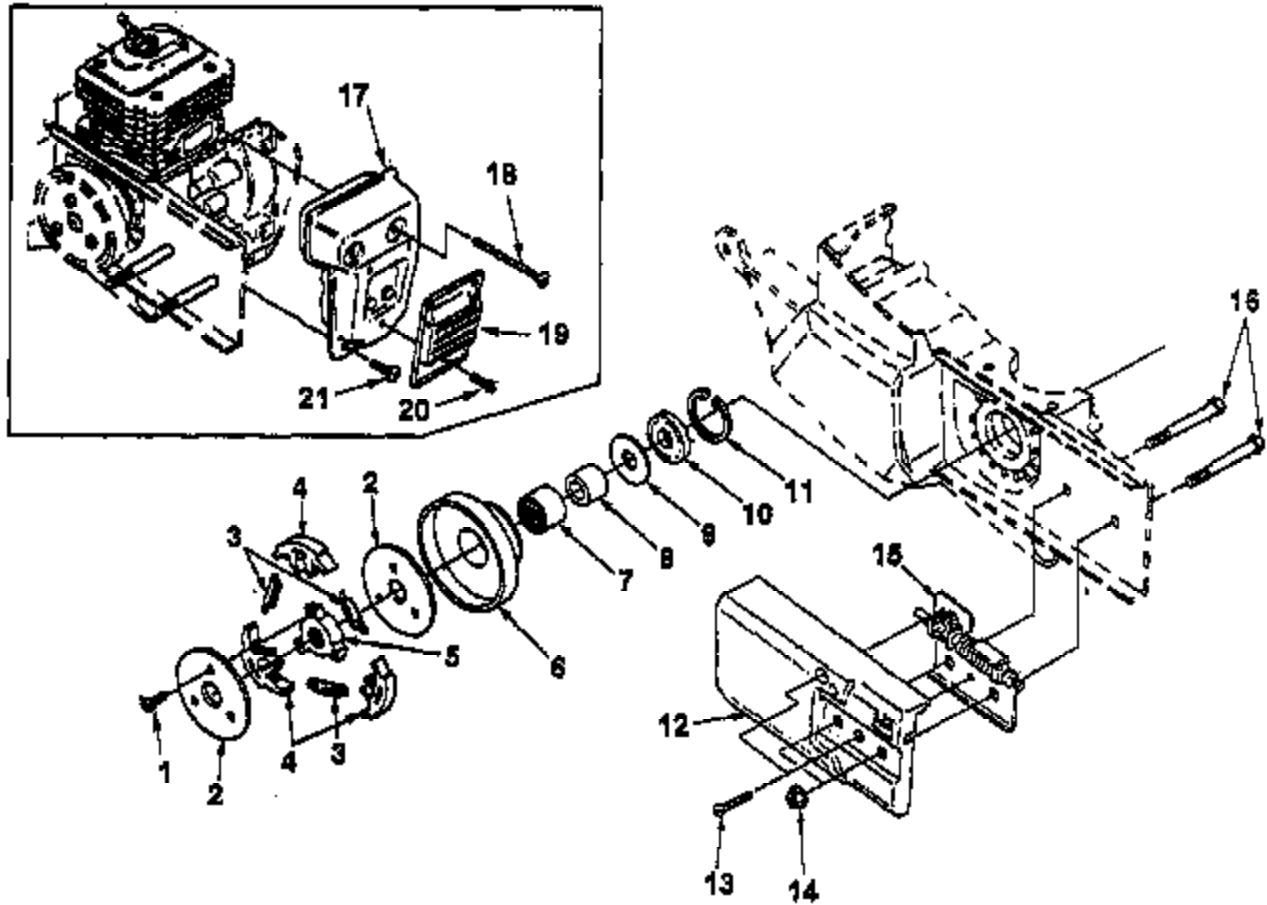


No.	Part No.	Description	Qty.
1	02307	PREFILTER-Felt	1
2	02308	ELEMENT-Air Filter	1
3	02309 1	COVER-Air Filter Element	1
4	02330	NUT-Hex Conical	1
5	* A 03850 A	COVER-Air Filter	1
6	03821	DECAL-Warning (French)	1
7	03820	DECAL-Warning (Eng.)	1
	04844	DECAL-Warning (Int.)	1
8	A 03024	KNOB & INSERT	1
9	02330	NUT- Hex	2
10	03393	O-Ring	1
11	02309 B	COVER-Cylinder	1
12	02425	SPACER-Insulating	2
13	81062	NUT-Hex	2
14	82584	SCREW-Hex Cap (10-24 X 1 3/4")	1
15	02347	STUD-Offset (10-24)	1
16	02348	STUD (10-24 x 1")	1

ITEM NO	TORQUE SPECS		REQUIRED LOGTITE
	lbfLbs	Nm	
4	40	4.5	
9	40	4.5	
15	Hand Tight		BLUE 242
18	15	1.8	

Warranty Flat Rate		
Job Description	Time/Hr.	
GD11 .. Carb Chamber	8	

CLUTCH-EXHAUST SYSTEM



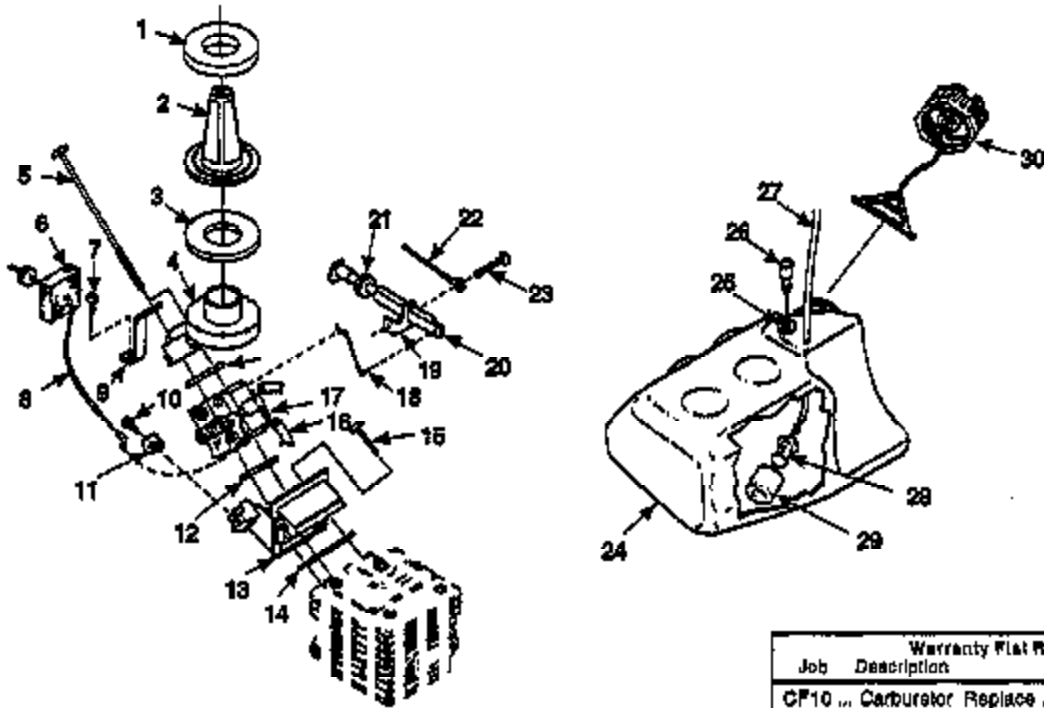
No.	Part No.	Description	Qty.
1	82263	SCREW-Machine Hex Hd. (8-32 X 3/8")	3
2	93828	COVER-Clutch	2
3	96938 A	SPRING-Clutch	3
4	79239	BHOE-Clutch	3
5	02384	CLUTCH-Spider	1
6	* A 49543	PULLEY-Drum & Bearing	1
7	48071	BEARING-Needle	1
8	46070	RACE-Inner	1
9	46135	WASHER-Thrust	1
10	96197 A	SEAL-Main	1
11	28922 1	RETAINER-Bearing	1
12	A 02329 A	CLUTCH-Cover	1
13	82575	SCREW-Tapite (8-32 x 5/8")	2
14	81282	NUT-Hex Flange (5/16-18)	2
15	A 03879 A	GEAR KIT	1
16	02327	BOLT-Wheel Arm	1
17	A 02287	MUFFLER	1
18	82574	SCREW-Truss Hd. (10-24 x 2 1/2")	2
19	A 98747	CAP-Muffler	1
20	60983	SCREW-Machine Hex Hd. (8-32 x 1/2")	3
21	98520 1	SCREW-Torx (10-24 x 1/2")	2

ITEM NO	TORQUE SPECS		REQUIRED LOCTITE
	InLbs	Nm	
1	55	6.2	BLUE 242
5	400	45.2	RED 282
13	20	2.2	
14	140	15.8	
16	55	6.2	
21	55	6.2	

Warranty Flat Rate		
Job	Description	Time/Hr.
CB16	Seal PTO	.4
CB18	Muffler	.3
CC10	Clutch	.3

03/23/98

CARBURETOR-FUEL TANK

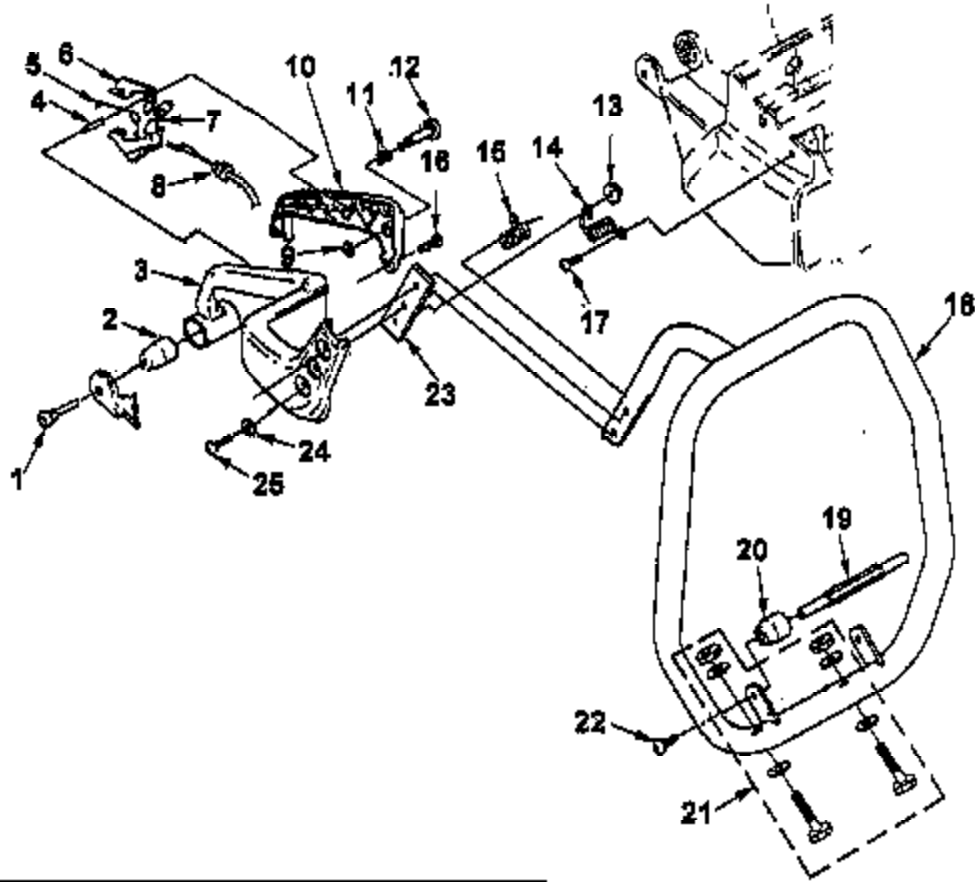


Job	Description	Warranty Flat Rate	Time/Hr.
CF10	Carburetor Replace	3
CF12	Fuel Line	3
CF15	Replace Carb/Choke Linkage	3
CF16	Fuel Tank	4
CF17	Manifold	5

ITEM NO	TORQUE SPECS		REQUIRED LOCTITE
	In/Lbs	Nm	
5	45	5	
7	85	7.3	
10	15	1.7	
15	45	6	RED 282
23	55	6.2	

NO.	PART NO.	DESCRIPTION	Qty.	NO.	PART NO.	DESCRIPTION	Qty.
1	02300	GASKET-Foam (1/4")	1	17	PA 00082	CARBURETOR-Walbro	1
2	02301	FILTER-Borean	1	18	A 08389	CHOKE LINK & RETAINER	1
3	02302	GASKET-Foam	1	19	08383	BRACKET-Cable	1
4	A 03272	ADAPTOR-Intake	1	20	02314	ROD-Choke	1
5	82582	SCREW-Truss Hd. (8-16 X 3 1/4")	2	21	64882	GROMMET	1
6	03766	PAD-Foam	1	22	A 08556	GROUND WIRE	1
7	90020 1	SCREW-Torx (10-24 X 1/2")	1	23	82556 1	SCREW-Truss Hd. (10-24 X 1 1/4")	1
8	A 02315	CABLE-Throttle	1	24	*A 03402 A	TANK-Fuel	1
9	02313 A	BRACKET-Air Intake	1	25	64882	GROMMET	1
10	82513	SCREW-Thread Form. (8-18 X 1/2")	1	26	A 02284	FILTER SLEEVE (Complete)	1
11	03455	BRACKET-Cable End	1	27	94772 40	TUBING-Rubber (10')	1
12	02205	GASKET-Carburetor	2	28	*A97700	FILTER-Fuel	1
13	*02296 1	ADAPTOR-Intake	1	29	68283 1A	FILTER-Fuel	1
14	02297	GASKET-Adaptor	1	30	A 00804 A	CAP-Tank (w/Retainer)	1
15	82571	SCREW-Pan Hd. (10-24 X 1")	3				
16	03157 19	TUBING,Pulse line (4 3/4")	1				

HANDLES



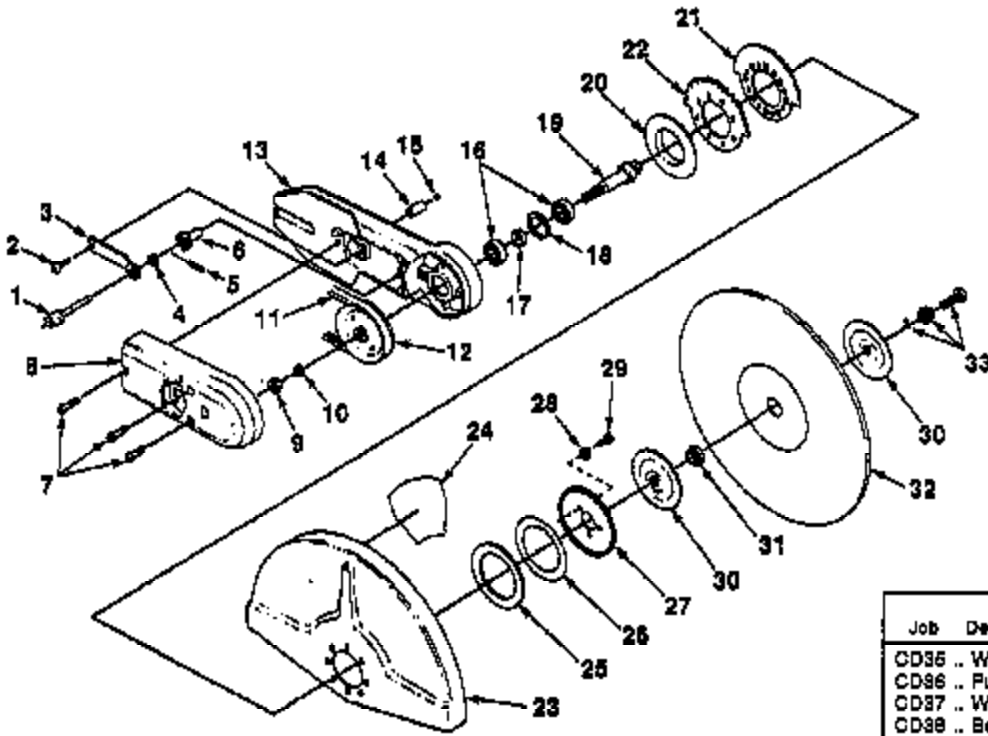
No.	Part No.	Description	Qty.
1	93367	ISOLATOR PIN	3
2	93368 A	ISOLATOR-Vibration	2
3	02318 A	HANDLE-Rear	1
4	96548	PIN-Trigger	1
5	02316	SPRING-Throttle	1
6	93385 A	LOCK-Trigger	1
7	A 03606 A	TRIGGER & SWIVEL	1
8	A 02315	CABLE-Throttle	1
9	58409	RING-Retaining	1
10	02319	COVER-Handle	1
11	95020 A	SPRING-Compression	1
12	95671	PIN-Throttle Lock	1
13	02330	NUT-Hex (10-24)	1
14	PS 03635	SPRING-Isolation (Large)	1
15	PS 03636	SPRING-Isolation (Small)	1
16	82536	SCREW-Plastic (5-16 x 5/8")	4
17	95620 1	SCREW-Torx Hd. (10-24 X 1/2")	4
18	A 06326	HANDLE BAR	1
19	02377 A	SPACER	1
20	97305 1A	ISOLATOR-Vibration	2
21	A 03663	KIT-Wear Pad	1
22	95620 1	SCREW-Torx Hd. (10-24 x 1/2")	2
23	03078	STRAP, Reinforcing	2
24	95985	WASHER (#12-11/16)	3
25	82555 1	SCREW-Trust Hd. (10-24 x 3/4")	3

ITEM NO	TORQUE SPEC'S		REQUIRED LOCTITE
	In/Lbs	Nm	
1	60	8.8	ANTI SEIZE
13	40	4.5	
16	35	3.9	
17	55	8.2	
22	55	6.2	

Warranty Flat Rate		
Job Description		Time/Hr.
CD30 Handle Bar		.5
CF15 Replace Carburetor Linkage		.3

03/23/98

WHEEL ARM ASSEMBLY



Job	Description	Warranty Flat Rate	Time/Hr.
CD35	.. Wheel Guard4
CD36	.. Pulley3
CD37	.. Wheel Arm/Shaft6
CD38	.. Belt Guard3
CT10	.. Drive Belt3

ITEM NO	TORQUE SPECS		
	IN/Lbs	Nm	REQUIRED LOCTITE
2	55	0.2	RED 262
7	35	3.9	
8	540	6.1	RED 262
29	55	6.2	
33	55	6.2	

NO.	PART NO.	DESCRIPTION	Qty.
1	* A 00650	KNOB & PIN	1
2	96620 1	SCREW-Trust Hd. (10-24 X 1/2")	1
3	01923	PLATE-Spring	1
4	01922	SPACER-Adjusting Pin	1
6	JA 48136 9	PIN-Roll	1
8	01921	BLEEVE-Cam	1
7	96792	SCREW-Round Hd. (10-24 X 23/32")	3
8	07704	BELT-Cover	1
9	02423	NUT-Hex	1
10	JA44814 8	WASHER-Lock (7/16)	1
11	48068	BELT- V-Drive	1
12	A 02891	PULLEY & HUB	1
13	07856 3A	ARM-Wheel	1
14	02297	SNUBBER	1
15	00568	STEEL BALL	1
16	88107	BEARING-Ball	2
17	01916	SPACER-Bearing	1
18	PS 31748	RING-Retaining	1
19	01906 1	SHAFT-Wheel	1
20	01916	COLLAR-Wheel Guard	1
21	01914 A	PAD-Adjuster	1
22	01913	DETENT-Adjuster	1

NO.	PART NO.	DESCRIPTION	Qty.
23	* A 04647 A	WHEEL GUARD & DECAL / 12"	1
24	04646 A	DECAL-Caution	1
25	* A 07696	WHEEL GUARD & DECAL / 14"	1
24	04645 A	DECAL-Caution	1
25	01912	WASHER-Rubber	1
26a	01911 01	SHIM-.020"	1
26b	01911 02	SHIM-.030" (Alt Part)	0
27	01910	WASHER-Spring	1
28	95935	WASHER (#12 - 11/16)	3
29	96620-1	SCREW-Trust Hd. (10-24 X 1/2")	3
30	01909-1A	FLANGE-Wheel	1
31	01902	SPACER (1")	1
	01903	SPACER (22mm)	1
	01907	SPACER (20mm)	1
32	*	WHEEL	1
33	A 03412	BOLT & WASHER	1

* See Page 9

0323598

WHEELS

ABRASIVE WHEELS MEULES ABRASIVES RUEDAS ABRASIVAS	12 INCH		14 INCH	
	Part No.	Arbor Size	Part No.	Arbor Size
Masonry and Concrete Pour béton et maçonnerie Mampostería y hormigón	84596 C 43230 B 48528	1" 7/8" 20 mm	49558 A 49785 A	1" 20 mm
Metal Pour métal Metal	84607 C 43232 B 48824	1" 7/8" 20 mm	49581 A 49788 A	1" 20 mm
Ductile and Cast Iron Pour fer et fonte Hierro dúctil y forjado	88421 B 43231 B 48826	1" 7/8" 20 mm	49560 A 49787 A	1" 20 mm
Asphalt Asphalte Asfalto	03707 A	1"	03586 A	1"
DIAMOND WHEELS ROUES-DIAMANT RUEDAS DE DIAMANTE				
Premium Segmented Rim Disque segmenté de première qualité Corona segmentada perfeccionada	A 48753 A	1"	A 04831 A	1"
Standard Segmented Rim Disque segmenté standard Corona segmentada estándar	A 48751 A	1"	A 48672 A	1"
SAW BLADES LAMES DE SCIE CUCHILLAS DE SIERRA				
Carbide, Junkyard Dog™ Carbure, Junkyard Dog™ De carburo, Junkyard Dog™	08831	1"		

REPLACEMENT ARM ASSEMBLIES (includes spacers for 1", 22mm 20mm wheel arbor)
ENSEMBLES DE GUIDE-ROUE DE RECHANGE (comprend des cales d'épaisseur pour mandrin de meule de 1", 22mm et 20mm).
REPUESTO DE BRAZO DE LA RUEDA (incluyendo arandelas para arbol de 1", 22mm y 20mm)

12" Wheel Arm w/1" Arbor A08337 A
 Guide-roue 12" a/mandrin 1"
 12" brazo de la rueda w/1" arbol

14" Wheel Arm w/1" Arbor A08338 A
 Guide-roue 14" a/mandrin 1"
 14" brazo de la rueda w/1" arbol

ADDITIONAL ACCESSORIES

	Part No.
Dolly Kit W/Depth Gage Plateau roulant avec jauge de profondeur Conjunto de carro con reguladores de profundidad	UT 05064
Carry Case with Insert Mallette de transport avec compartiment amovible Caja para transporte con pieza de inserción	A 18009 A
Wet Cut Kit Trousee pour coupe mouillée "Wet Cut Kit"	A 48848
Spark Arrestor Screen Écran pare-étincilles Pantalla de apagachispas	98827

TOOLS

	Part No.
Combination Wrench (1/2, 3/4, & Screwdriver)	19188
Cle' mixte (1/2, 3/4 et tournevis)	
Llave de tuercas de combinaci3n (1/2, 3/4 y destornillador)	
1/2 Wrench	03000
Cle' 1/2	
Llave de tuercas de 1/2"	
Puller Rotor	A 17108 B
Rotor tracteur	
Rotor extractor	

CUSTOMER ASSISTANCE

FOR THE LOCATION OF YOUR NEAREST
HOMELITE®
 SERVICE DEALER
 IN THE UNITED STATES, PUERTO RICO, AND
 THE VIRGIN ISLANDS,
 CALL:
1-800-242-4672

HEADQUARTERS
John Deere Consumer Products, Inc.
 P.O. BOX 7047
 CHARLOTTE, N.C. 28241

OVERSEAS OFFICES		CANADIAN OFFICE
EUROPE, AFRICA & MIDDLE-EAST		<p>Homelite Canada Limited Homelite Canada Limit�e</p> <hr style="width: 20%; margin: 10px auto;"/> <p>A Deere & Company Affiliate/ Une Filiale de Deere & Company 1850-55eth Avenue Lachine, Qu�bec, Canada H8T 3J6 1-800-989-6716</p>
<p>Homelite Netherlands B.V. A Deere & Company Affiliate Havenstraat 24 2153 GB Nieuw Vennep The Netherlands</p>		
<p>FRANCE</p> <hr style="width: 80%; margin: 0 auto;"/> <p>Homelite Atlantic SARL Groupe Deere & Co. BP 7011 95080 Cergy-Pontoise Cedex France</p>	<p>AUSTRALIA</p> <hr style="width: 80%; margin: 0 auto;"/> <p>Homelite Pacific Ltd. A Deere & Company Affiliate ACN 008 689 538 94 Rushdale Street P.O. Box 588 MDA Australia</p>	

John Deere Consumer Products, Inc.

03/23/98