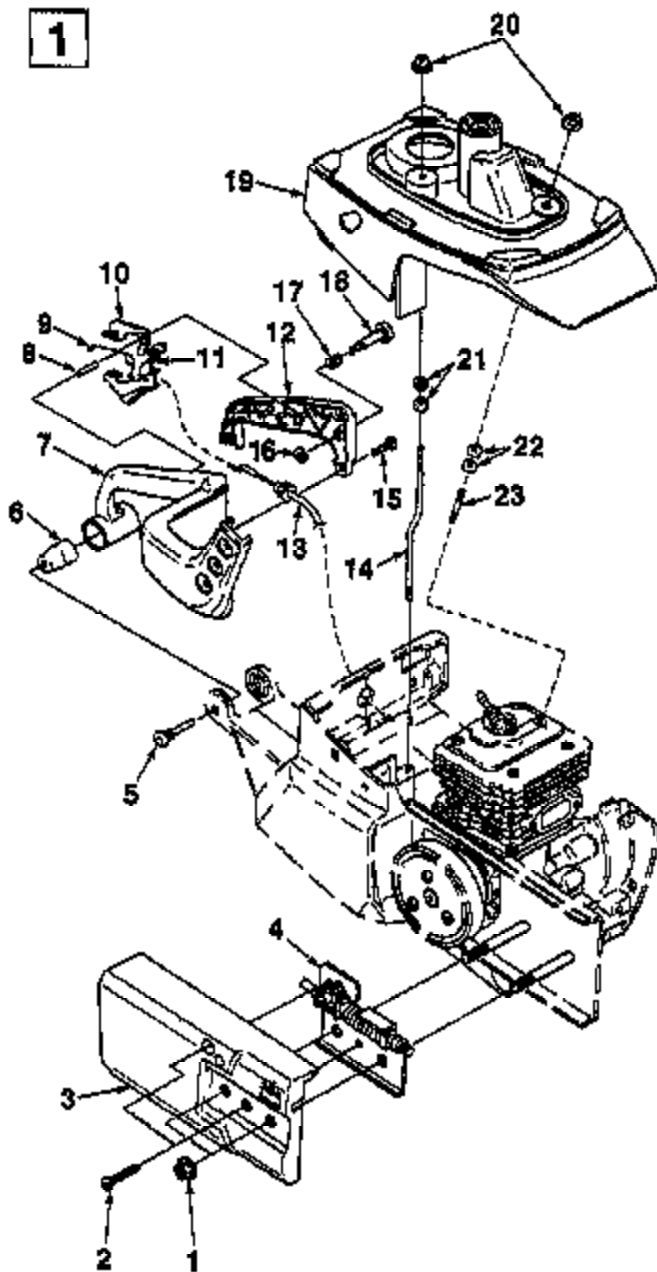


Homelite®

- GB PARTS LIST
- F LISTE DE PIÈCES
- NL ONDERDELENLIJST
- D TEILELISTE
- I ELENCO DEI PEZZI
- E LISTA DE PIEZAS
- P LISTA DE PEÇAS

MP38
UT05050-A
UT05055-A, B

Printed in U.S.A.
Imprimé aux E.-U.
Gedruckt in de V.S.
Gedruckt in den U.S.A.
Stampato negli Stati Uniti
Impreso en EE. UU.
Impresso nos E.U.A.
P/N 16697
REV. 2



N	PN	D	Q
1	81282	NUT-Hex Flange (5/16-18)	2
2	82676	SCREW-Taptite (8-32 X 5/8")	2
3	A-02829-A	COVER-Clutch	1
4	A-03878	GEAR KIT	1
5	93987	PIN-Isolator	2
6	93988-A	ISOLATOR-Vibration	2
7	02318	HANDLE-Rear	1
8	88548	PIN-Trigger	2
9	02318	SPRING-Throttle	1
10	93395-A	LOCK-Trigger	1
11	A-03808-A	TRIGGER & SWIVEL	1
12	02319	COVER-Handle	1
13	A-02815	CABLE-Throttle	1
14	02347	STUD-Offset (10-24)	1
15	82586	SCREW-Plastite (8-18 X 5/8")	4
16	88409	RING-Retaining	1
17	95020	SPRING-Compression	1
18	86671	PIN-Throttle Lock	1
19	02303-A	COVER-Cylinder	1
20	02330	NUT-Hex Conical	2
21	81092	NUT-Hex	2
22	02425*	SPACER-Insulating	2
23	02346*	STUD (10-24 X 1.06")	1

No.
N°
Nr.
Nr.
N°
No.
N°

N

Part No.
Pièce N°
Stuknummer
Teil Nr.
Pezzo N°
No. de pieza
N° de peça

PN

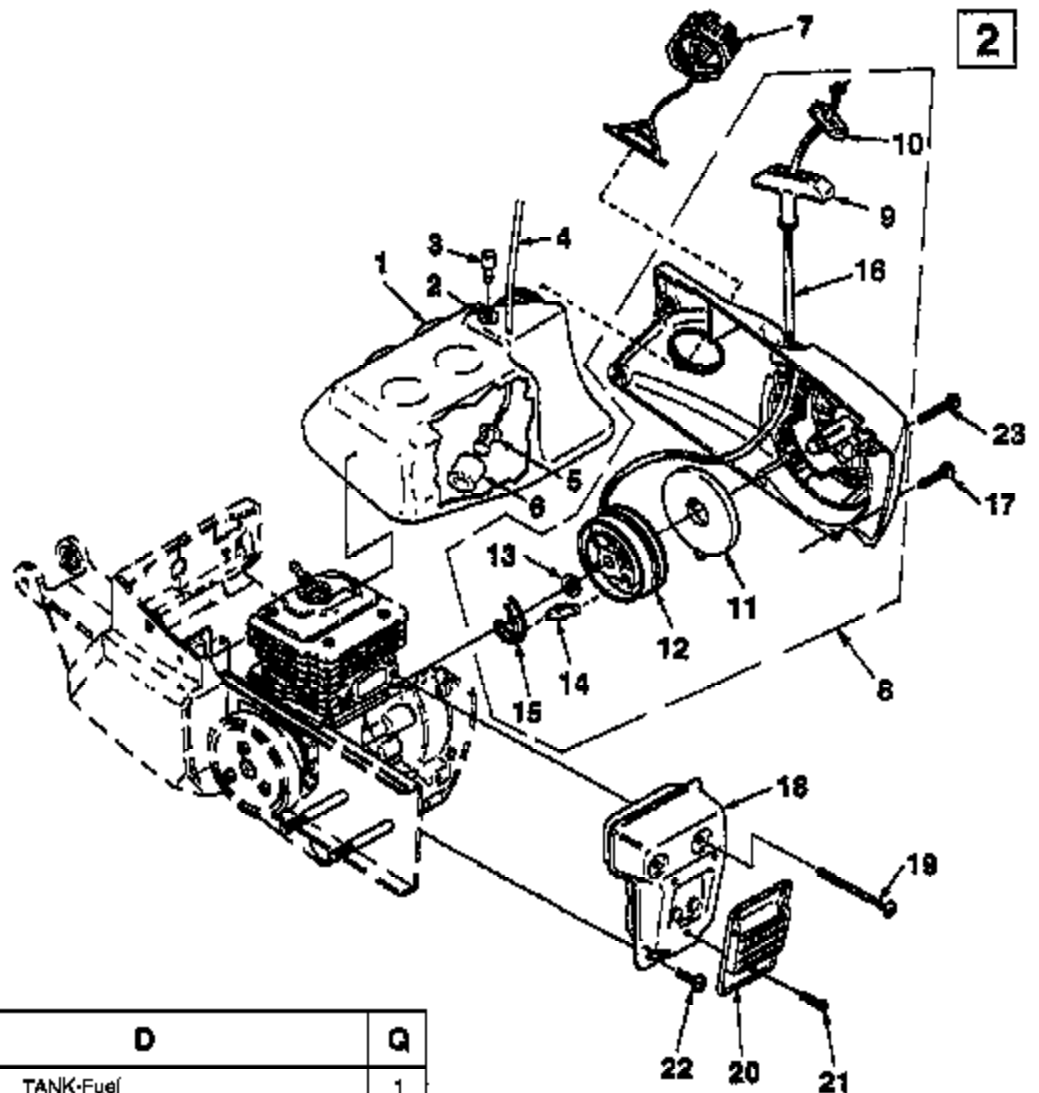
DESCRIPTION

D

Quantity
Quantité
Aantal
Menge
Quantità
Cantidad
Quantidade

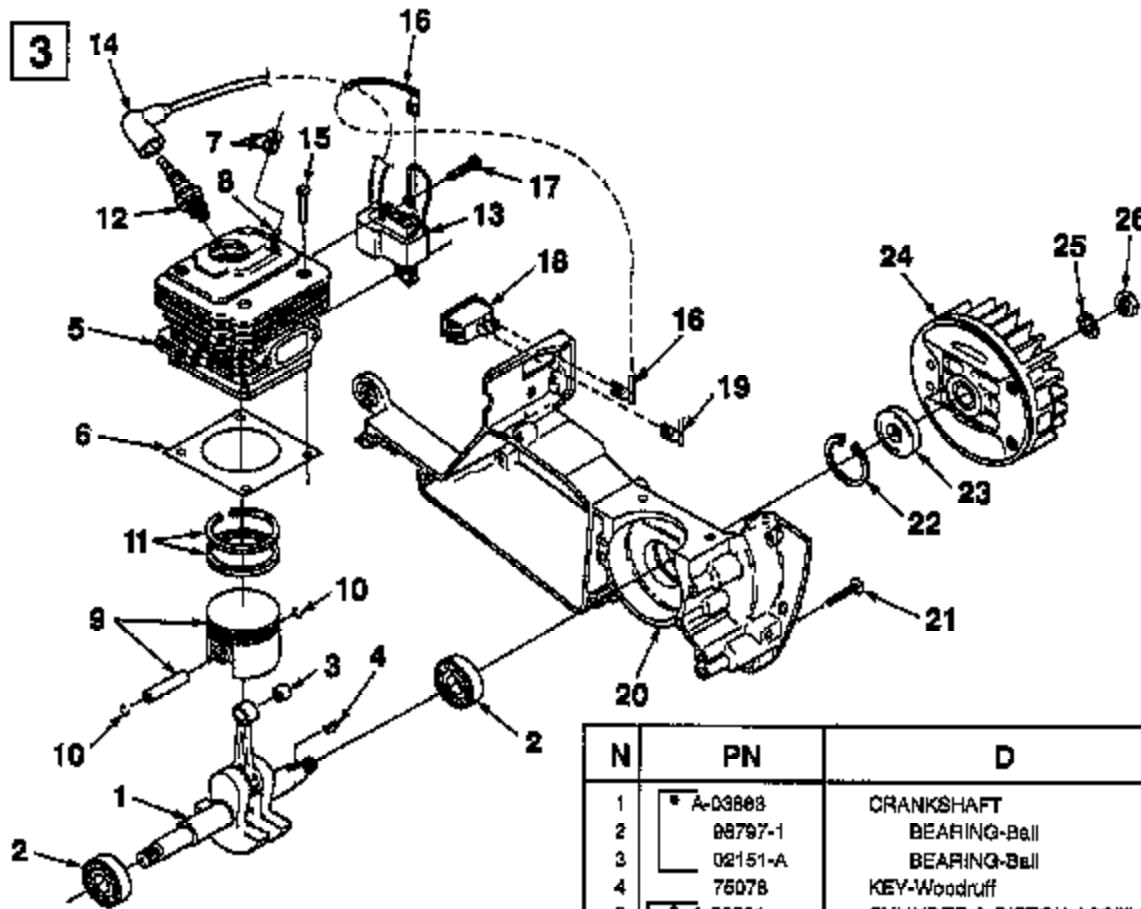
Q

- *NOTE: Items #22 and #23 are also included with our part number A-03881-Cylinder and Piston Assembly.
- *NOTE: Les articles N° 22 et N° 23 font également partie de notre pièce N° A-03881, Ensemble cylindre et piston.
- *N.B.: Artikelen nr. 22 en 23 zijn ook inbegrepen bij ons stuknummer A-03881- cilinder met zuiger.
- *HINWEIS: Stücke #22 und #23 sind auch in unseren Zylinder/Kolben-Bausätzen der Teilenummer A-03881 inbegriffen.
- *NOTA: Gli articoli n° 22 e 23 fanno parte anche del nostro gruppo cilindro e pistone, n° di catalogo A-03881.
- *NOTA: Los artículos #22 y #23 también están incluidos en el número de pieza A-03881- Conjunto de cilindro y pistón.
- *NOTA: Os artigos n° 22 e 23 estão também incluídos com a nossa peça número A-03881- Conjunto de Cilindro e Pistão.



N	PN	D	Q
1	A-03402	TANK-Fuel	1
2	84862	GROMMET	1
3	A-02294	FILTER SLEEVE (Complete)	1
4	94772-4D	TUBING-Rubber (10")	1
5	A-97700	FILTER-Fuel	1
6	59259-1A	FILTER-Fuel	1
7	A-00904-A	CAP-Tank (w/Retainer)	1
8	A-03894-A	STARTER (Complete)	1
9	A-89982-B	GRIP-Starter (w/insert)	1
10	70018-A	INSERT-Rope Ret.	1
11	A-97908	SPRING & CONTAINER	1
12	A-03882	PULLEY ASSEMBLY	1
13	01274	WASHER-Thruet	1
14	98332-A	PAWL-Starter	1
15	03750-B	CLIP-Retainer	1
16	97500	ROPE-Starter (45")	1
17	82555-1	SCREW-Truss Hd. (10-24 X 3/4")	3
18	A-02287	MUFFLER	1
19	82574	SCREW-Truss Hd. (10-24 X 2 1/2")	2
20	A-98747	CAP-Muffler	1
21	80983	SCREW-Machine Hex Hd. (8-32 X 1 1/2")	3
22	86820-1	SCREW-Torx (10-24 X 1/2")	2
23	82558-1	SCREW-Truss Hd. (10-24 X 1 1/4")	1

Assemblies
Ensembles
Assemblages
Bauteile
Complesse
Conjuntos
Conjuntos



N	PN	D	Q
1	A-03803	CRANKSHAFT	1
2	00797-1	BEARING-Ball	2
3	02151-A	BEARING-Ball	1
4	75078	KEY-Woodruff	1
5	A-03881	CYLINDER & PISTON ASSEMBLY	1
6	01500	GASKET-Cylinder	1
7	02425	SPACER	2
8	02340	STUD-(10-24 X 1 1/4")	5
9	A-01273	PISTON (1.890 Dia.)	1
10	02181	RING-Retaining	2
11	02182	RING-Piston	2
12	93581-S	SPARK PLUG (CJBY)	1
	98217-S	SPARK PLUG (RCJBY) (Resistor)	1
13	A-03748	IGNITION MODULE (Sams/Walbro)	1
14	A-02587	SPARK PLUG BOOT KIT	1
15	82560	SCREW-Pan Hd. (12-24 X 3/4")	4
16	A-02284	IGNITION GROUND WIRE	1
17	82575	SCREW-Pan Hd. (8-32 X 5/8")	2
18	01802	SWITCH	1
19	A-03558	GROUND WIRE	1
20	A-02272-B	CRANKCASE	1
21	82550-1	SCREW-Truec Hd. (10-24 X 1 1/4")	8
22	28922-1	RETAINER-Bearing	1
23	00197-A	SEAL-Main	2
24	02152-A	ROTOR	1
25	88102	WASHER-Lock (3/8")	1
26	81124-A	NUT-Jam (3/8-24)	1

No.
N°
Nr.
Nr.
N°
No.
N°

N

Part No.
Pièce N°
Stuknummer
Teil Nr.
Pezzo N°
No. de peça
N° de peça

PN

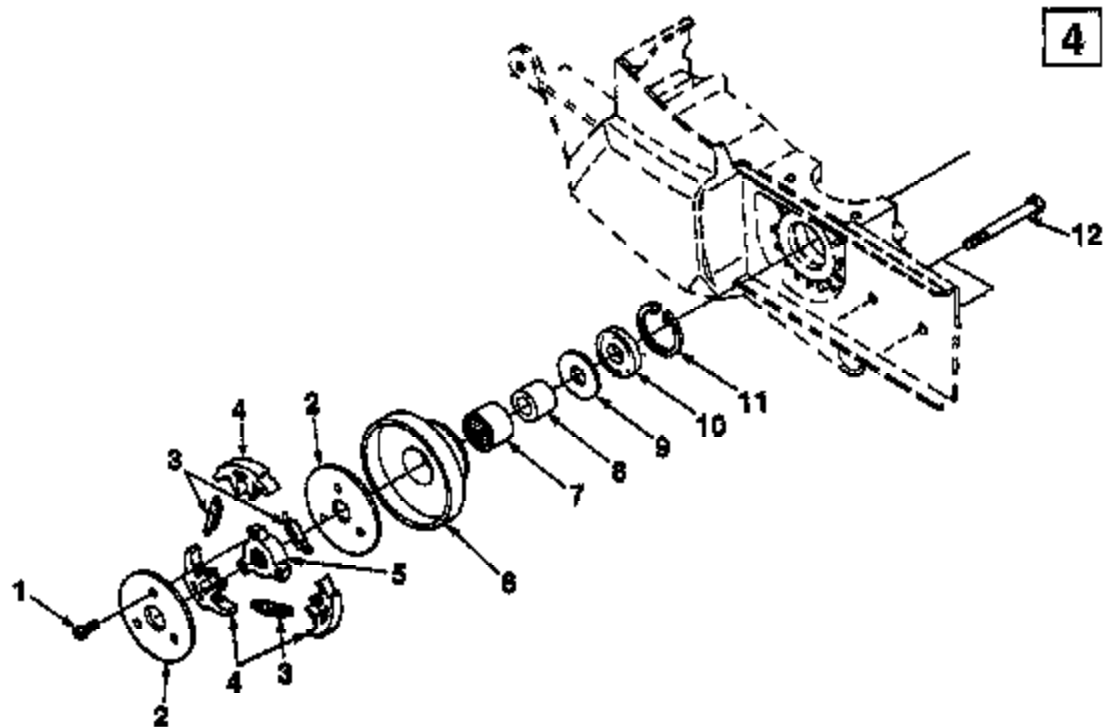
DESCRIPTION — D

Quantity
Quantité
Aantal
Menge
Quantità
Cantidad
Quantidade

Q

Assembles
Ensembles
Assemblages
Bauteile
Completos
Conjuntos

•



N	PN	D	Q
1	92259	SCREW-Machine Hex Hd. (8-32 X 3/8")	3
2	93628	COVER-Clutch	2
3	93638-A	SPRING-Clutch	3
4	79239	SHOE-Clutch	3
5	02334	CLUTCH-Spider	1
6	* A-49548	PULLEY-Drum & Bearing	1
7	46071	BEARING-Needle	1
8	46070	RACE-Inner	1
9	46136	WASHER-Thrust	1
10	98197-A	SEAL-Main	1
11	98622-1	RETAINER-Bearing	1
12	02327	BOLT-Wheel Arm	1

No.
N°
Nr.
Nr.
No.
No.
N°

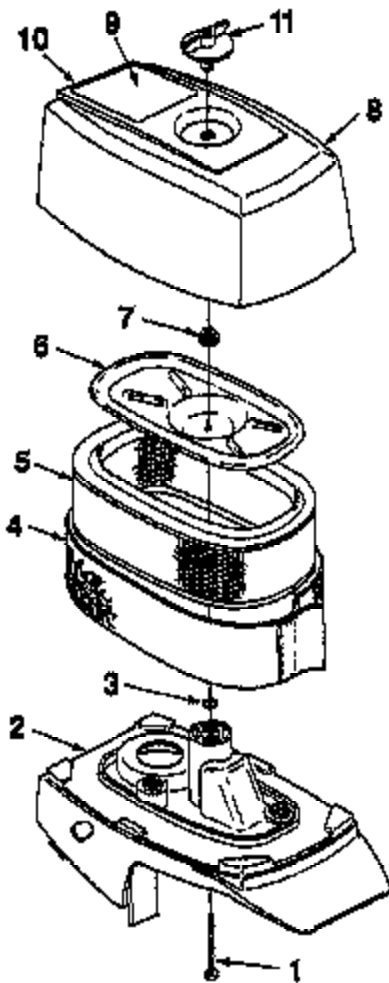
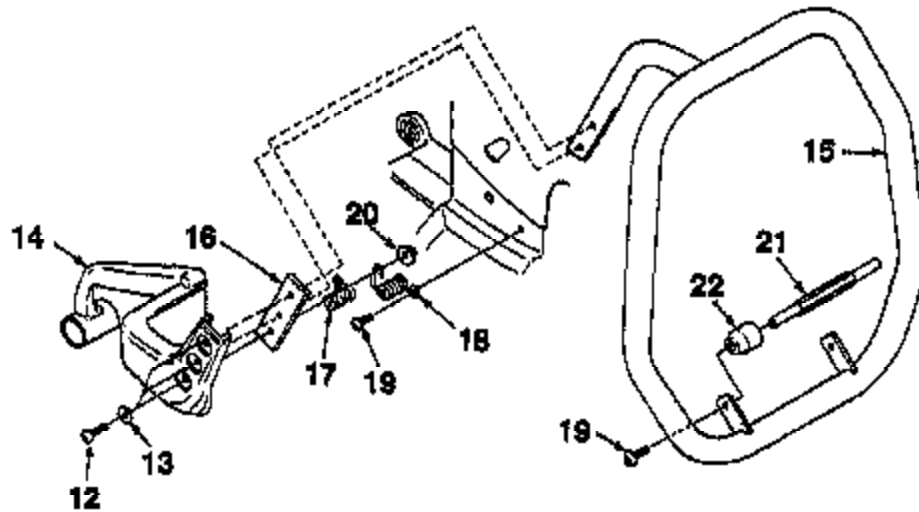
Part No.
Pièce N°
Stuknummer
Teil Nr.
Pezzo N°
No. de peça
N° da peça

DESCRIPTION D

Quantity
Quantité
Aantal
Menge
Quantità
Cantidad
Quantidade

Assemblies
Ensembles
Assemblies
Ensembles
Completos
Conjuntos

5



N	PN	D	Q
1	82584	SCREW-Hex Cap (10-24 X 1 3/4")	1
2	02303	COVER-Cylinder	1
3	03583	O-RING	1
4	02307	PREFILTER-Felt	1
5	02308	ELEMENT-Air Filter	1
6	02309-1	COVER-Air Filter Element	1
7	02330	NUT-Hex	1
8	A-03880	COVER-Air Filter	1
9	03820	DECAL-Warning (Eng.)	1
	04644	DECAL-Warning (Int.)	1
10	03821	DECAL-Warning (French)	1
11	A-03024	KNOB & NUBERT	1
12	82585-1	SCREW-Torus Hd. (10-24 X 3/4")	3
13	96938	WASHER (#12-11/16)	3
14	02318	HANDLE-Rear	1
15	A-02320	HANDLE BAR	1
16	02323	BRACKET-Mounting	2
17	03536	SPRING-Isolation (Small)	1
18	03535	SPRING-Isolation (Large)	1
19	96620-1	SCREW-Torx Hd. (10-24 X 1/2")	4
20	02330	NUT-Hex (10-24)	1
21	02277	SPACER	1
22	97305-1A	ISOLATOR-Vibration	2

No.
Nr.
Nr.
N°
No.
N°

N

Part No.
Pièce N°
Stuknummer
Teil Nr.
Pezzo N°
No. de peça
N° da peça

PN

DESCRIPTION D

Quantity
Quantité
Anzahl
Menge
Quantità
Cantidad
Quantidade

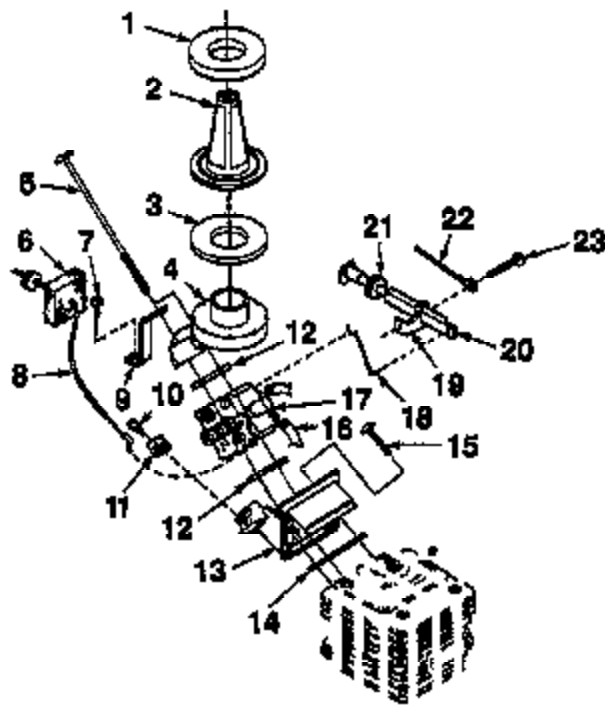
Q

Assemblies
Ensembles
Assembles
Bausteine
Complexes
Conjuntos

Q

6

6



N	PN	D	Q
1	02300	GASKET-Foam (1/4")	1
2	02301	FILTER-Screen	1
3	02302	GASKET-Foam	1
4	A-02372	ADAPTOR-Intake	1
5	82582	SCREW-Truss Hd. (8-16 X 3 1/4")	2
6	03758	PAD-Foam	1
7	98620-1	SCREW-Torx (10-24 X 1/2")	1
8	A-02315	CABLE-Throttle	1
9	02313-A	BRACKET-Air Intake	1
10	92513	SCREW-Thread Form. (8-19 X 1/2")	1
11	03455	BRACKET-Cable End	1
12	02297	GASKET-Adaptor	2
13	02298-1	ADAPTOR-Intake	1
14	02295	GASKET-Carburetor	1
15	82571	SCREW-Pan Hd. (10-24 X 1")	3
16	83157-19	TUBING,Pulse line (4 3/4")	1
17	A-02299-A	CARBURETOR-Walbro	1
	03757	GROMMET-Hi-Lo (Not Shown)	1
18	A-03369	CHOKE LINK & RETAINER	1
19	03333	BRACKET-Cable	1
20	02314	ROD-Choke	1
21	84862	GROMMET	1
22	A-03656	GROUND WIRE	1
23	82558-1	SCREW-Truss Hd. (10-24 X 1 1/4")	1

No.
N°
Nr.
Nr.
N°
No.
N°

N

Part No.
Plaza N°
Stuknummer
Teil Nr.
Pezzo N°
No. de pieza
N° de peça

PN

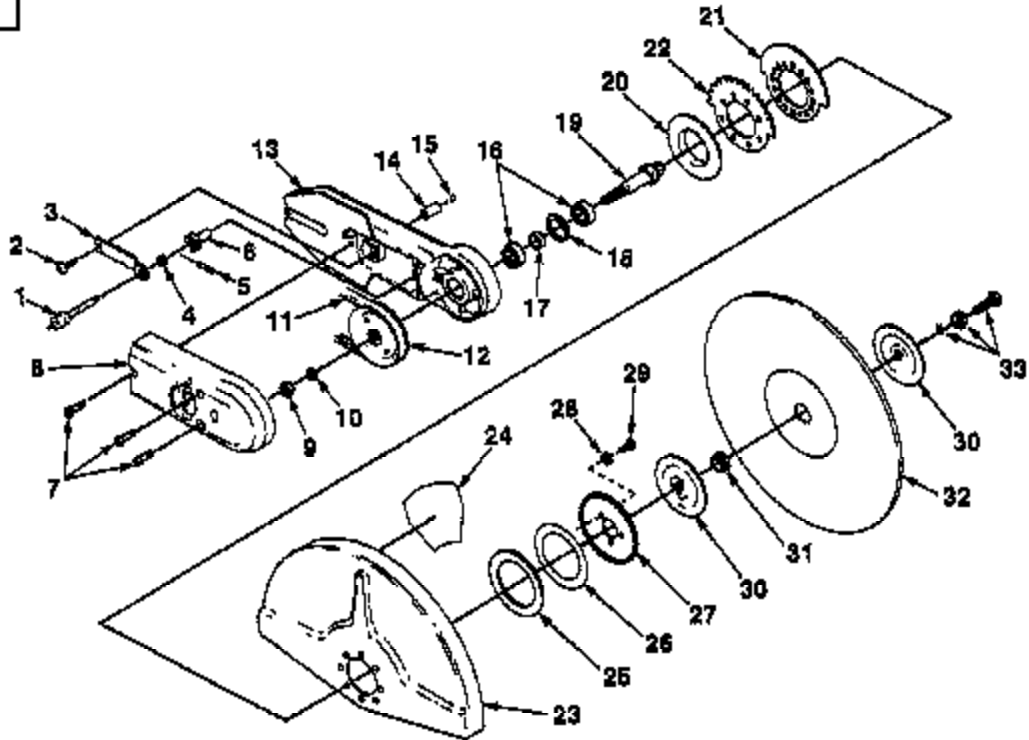
DESCRIPTION

D

Quantity
Quantité
Aantal
Menge
Quantità
Cantidad
Quantidade

Q

7



N	PN	D	Q	N	PN	D	Q
1	A-00660	KNOB & PIN	1	23	A-08479	WHEEL GUARD & PLATE	1
2	88620-1	SCREW-Truss Hd. (10-24 X 1/2")	3	24	04645-A	DECAL-Caution	1
3	01923	PLATE-Spring	1	25	01912	WASHER-Rubber	1
4	01922	SPACER-Adjusting Pin	1	26	01911-01	SHIM-.020"	1
5	JA-46136-B	PIN-Roll	1	27	01910	WASHER-Spring	1
6	01921	SLEEVE-Cam	1	28	95935	WASHER (#12 - 11/16)	3
7	98782	SCREW-Round Hd. (10-24 X 2 23/32")	3	29	88620-1	SCREW-Truss Hd. (10-24 X 1/2")	3
8	01927	BELT-Cover	1	30	01909-1	FLANGE-Wheel	1
9	02423	NUT-Hex	1	31	01902	SPACER (1")	1
10	JA-44814-B	WASHER-Lock (7/16)	1		01902	SPACER (22mm)	1
11	01926	BELT- V-Drive	1		01907	SPACER (20mm)	1
12	A-02891	PULLEY & HUB	1	32	*	WHEEL	1
13	01917-2	ARM-Wheel	1	33	A-08412	BOLT & WASHER	1
14	02267	SNUBBER	1	* See Figure 9. * Voir la Fig. 9. * Sieh Fig. 9. * Siehe Abbildung 9. * Vedere Fig. 9. * Consulte Fig. 9. * Veja a Figura 9.			
15	00568	STEEL BALL	1				
16	83107	BEARING-Ball	2				
17	01916	SPACER-Bearing	1				
18	31746	RING-Retaining	1				
19	01906	SHAFT-Wheel	1				
20	01915	COLLAR-Wheel Guard	1				
21	01914	PAD-Adjuster	1				
22	01919	DETENT-Adjuster	1				

No.
N°
Nr.
N°
No.
N°

Part No.
Pièce N°
Stuknummer
Teil Nr.
Pezzo N°
No. de pieza
N° de peça

DESCRIPTION — D

Quantity
Quantité
Aantal
Menge
Quantità
Cantidad
Quantidade

Assemblies
Ensembles
Assemblages
Bauteile
Complet
Conjuntos

- ⑧ **TOOLS**
- ⑦ **OUTILS**
- ⑤ **GEREEDSCHAP**
- ⑥ **WERKZEUG**
- ① **UTENSILE**
- ② **HERRAMIENTAS**
- ④ **FERRAMENTA**

8

Wrench- Combination (3/8" & 3/8") A-24824	Shim 24306
Cle a douille	Cala
Dopelcutel	Afstandebus
Steckschlüsselsatz	Distanzscheibe
Chave a tubo	Spacers
Llave de cubos	Suplemento
Chave-de-Galva	Calço
Wrench- Torx (T-25) 03848	Bit- Torx (1/4" shank) 24882-01
Cle- Torx (T-25)	Méche Torx avec tige de (0,64cm)
Sleutel- Torx (T-25)	Schroevendraaierbit (1/4" schacht)
Schraubenschlüssel- (T-25)	Bohrstückhalter (1/4 Zoll)
Chlave - Torx (T-25)	Punta torx (1/4")
Llave - Torx (T-25)	Broca Torx con vástago (0,64cm)
Chave Inglesa - Torx (T-25)	Chave de fenda de torçao de 1/4 pol. com cabo
Wrench (1/2") 03000	Silastic 24623
Cle (1,27cm)	Silastic
Sleutel (1/2")	Vicibare pakking
Schraubenschlüssel, (1/2 Zoll)	Silastic
Chlave (1/2)	Silastic
Llave (1,27cm)	Silastic
Chave inglesa (de 1/2 pol.)	Silastic (Cole silásticos)
	Paint- Red 23475
	Peinture- Rouge
	Verf- Rood
	Farbe- Rot
	Vernice- Rosso
	Pintura- Color rojo
	Tinta- Vermelha
	Spark Arrestor Screen 98827
	Tamie para-étincelles
	Vonkenvanger
	Funkenfängersieb
	Schermo parasintilla
	Chispeo
	Rede de proteção contra as faíscas

- Ⓔ ACCESSORIES
- Ⓕ ACCESSOIRES
- Ⓖ TOEBEHÖREN
- Ⓗ ZUBEHÖR
- Ⓘ ACCESSORI
- Ⓛ ACCESORIOS
- Ⓜ ACESSÓRIOS

9

WHEELS- Resinoid ROUES- Resinoide SCHLIFVEN- Hara RUNDÄGEBLÄTTER- Resinoid RUOTE- Resinoidi RUEDAS tipo Resina MÓD- Resina sintética	Part No. Pièce N° Stuknummer Teil Nr. Pezzo N° No. de peça N° de peça	12" x 5/32" x 1" 303mm x 4mm x 25mm	12" x 5/32" x 20mm 306mm x 4mm x 20mm	12" x 5/32" x 22mm 308mm x 4mm x 22mm
Metal	64897-BS (1)	X		
Metal	43235-AS (1)		X	
Metal	43232-AS (1)			X
Metal	49821 (2)	X		
Metal	49824 (2)		X	
Duallie	66421-AS (1)	X		
Duallie	43234-AS (1)		X	
Flexibel	43231-AS (1)			X
Duallie	49822 (2)	X		
Duallie	49825 (2)		X	
Concrete	64586-BS (1)	X		
Béton	43233-AS (1)		X	
Beton	43230-AS (1)			X
Calcestruzzo	49823 (2)	X		
Concreto	49826 (2)		X	

WHEELS- Diamond
ROUES- Diamant
SCHLIFVEN- Diamant
RUNDÄGEBLÄTTER- Diamant
RUOTE- Diamante
RUEDAS de Diamante
MÓD- Diamante

Concrete (12" x 1/8" x 1") . . . A-40783-A, (1) A-49781-A, (2) A-06397 (2)
Béton
Beton
Beton
Calcestruzzo
Concreto
Cimento

Blade- Carbide 64896-A
Lame- Carburé
Blad- Carbide
Klinge- Karbid
Lama- Carburé
Cuchilla- de Carburé
Lâmina- Carboneto

Dolly Kit UT-05032-A
Jeu pour chariot
Dolly Kit
Schubkarre- Baupatz
Carrello
Juego de carretilla
Descanso com rodas

Carry Case w/insert A-18009-A
Boîtier porteur avec insertion
Set voor nat snijden
Schutzkassette mit Einlage
Custodia con inserto
Maleta con inserto
Estejo portátil com o molde de peça

Wet Cutting Kit A-49649
Jeu pour découpage humide
Koffer met voering
Einsetz zum Nasssägen
Kit per l'irragazione
Juego de corte líquido
Jogo para corte em húmido

(1) Premium (Continuous Rim)
Qualité Supérieure (Jante continue)
Beste Kwaliteit (Ononderbroken Rand)
Höchstqualität (ununterbrochener Kranz)
Prima Qualità (Bordo continuo)

(2) Premium (Segmented Rim)
Qualité Supérieure (Jante segmentée)
Beste Kwaliteit (Gesegmenteerde Rand)
Höchstqualität (segmentierter Kranz)
Prima Qualità (Bordo segmentado)

(3) Standard (Segmented Rim)
Standard (Jante segmentée)
Standard (Gesegmenteerde Rand)
Standard (segmentierter Kranz)
Standard (Bordo segmentado)

CUSTOMER ASSISTANCE

**FOR THE LOCATION OF YOUR NEAREST HOMELITE SERVICING DEALER
IN THE UNITED STATES, PUERTO RICO, AND THE VIRGIN ISLANDS,**

CALL: 1-800-242-4672

HEADQUARTERS

Homelite, Inc.
P.O. BOX 7047
CHARLOTTE, N.C. 28241

OVERSEAS OFFICES

NETHERLANDS

Homelite Netherlands B.V.
A Deere & Company Affiliate
Haverstraat 24
2153 GB Nieuw Vennep
The Netherlands

FRANCE

Homelite Atlantic SARL
Groupe Deere & Co.
BP 7011
95050 Cergy Pontoise Cedex
France

AUSTRALIA

Homelite Pacific Ltd.
A Deere & Company Affiliate
ACN 008 888 538
94 Rushdale Street
P.O. Box 556 MDA
Australia

CANADIAN OFFICES

Homelite Canada Limited
Homelite Canada Limitée

A Deere & Company Affiliate/
Une Filiale de Deere & Company
1850-55a/th Avenue
Lachine, Québec, Canada H8T 3J5
1-800-383-5715

UNIT 212-214, 590 Ebury Place
New Westminster, B.C. V3M 6K7
1-800-687-3128

20-D Voyager Court South
Etobicoke, Ontario M9W 5M7
1-800-485-2249

Homelite.inc.
A Subsidiary of Deere & Company