

Homelite®

- GB PARTS LIST
- F LISTE DE PIÈCES
- E LISTA DE PIEZAS

- GB MODEL
- F MODELE
- E MODELO

XL98-D

UT05049-A

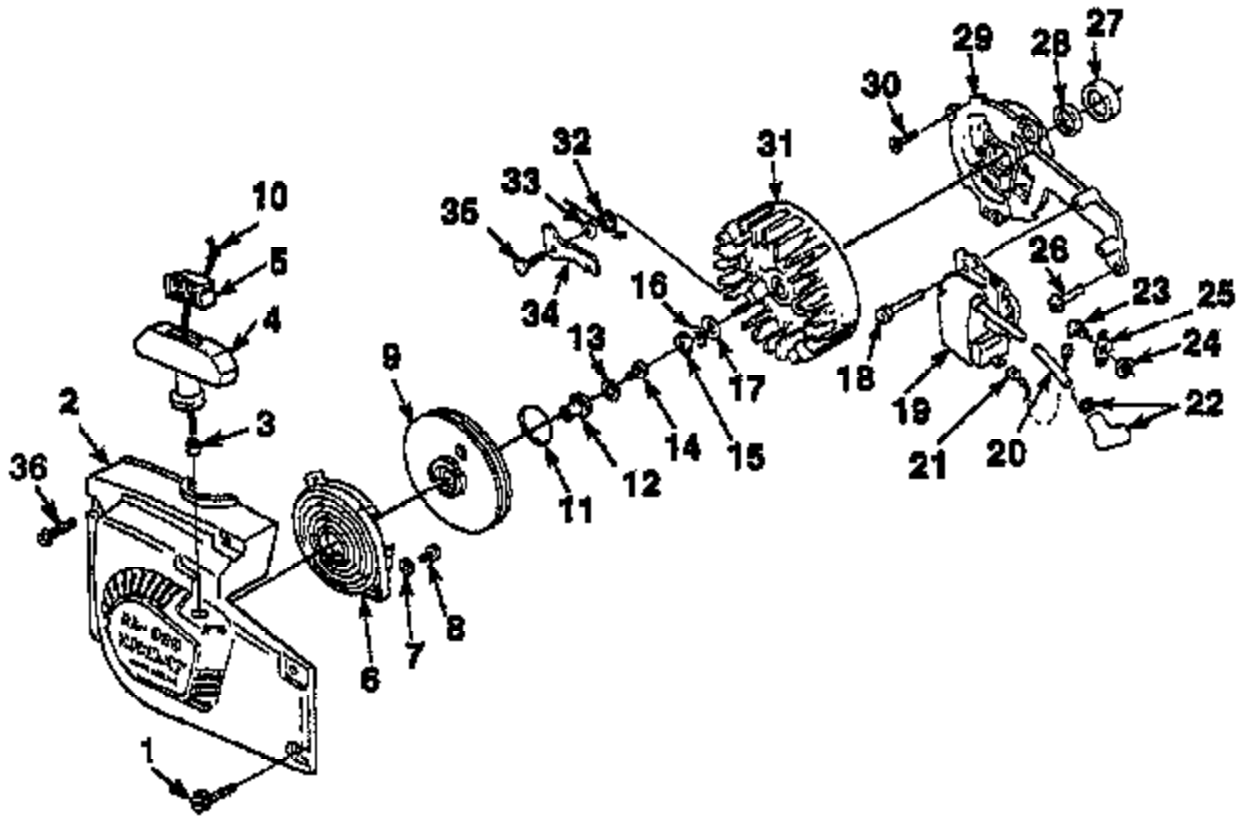
UT05049-B

- GB MULTI-PURPOSE SAW
- F SCIE À USAGES MULTIPLES
- E SIERRA DE MULTIPLES APLICACIONES

Printed in U.S.A. GB
Imprimé aux U.S.A. F
Impreso en Estados Unidos E

P/N 19644

STARTER

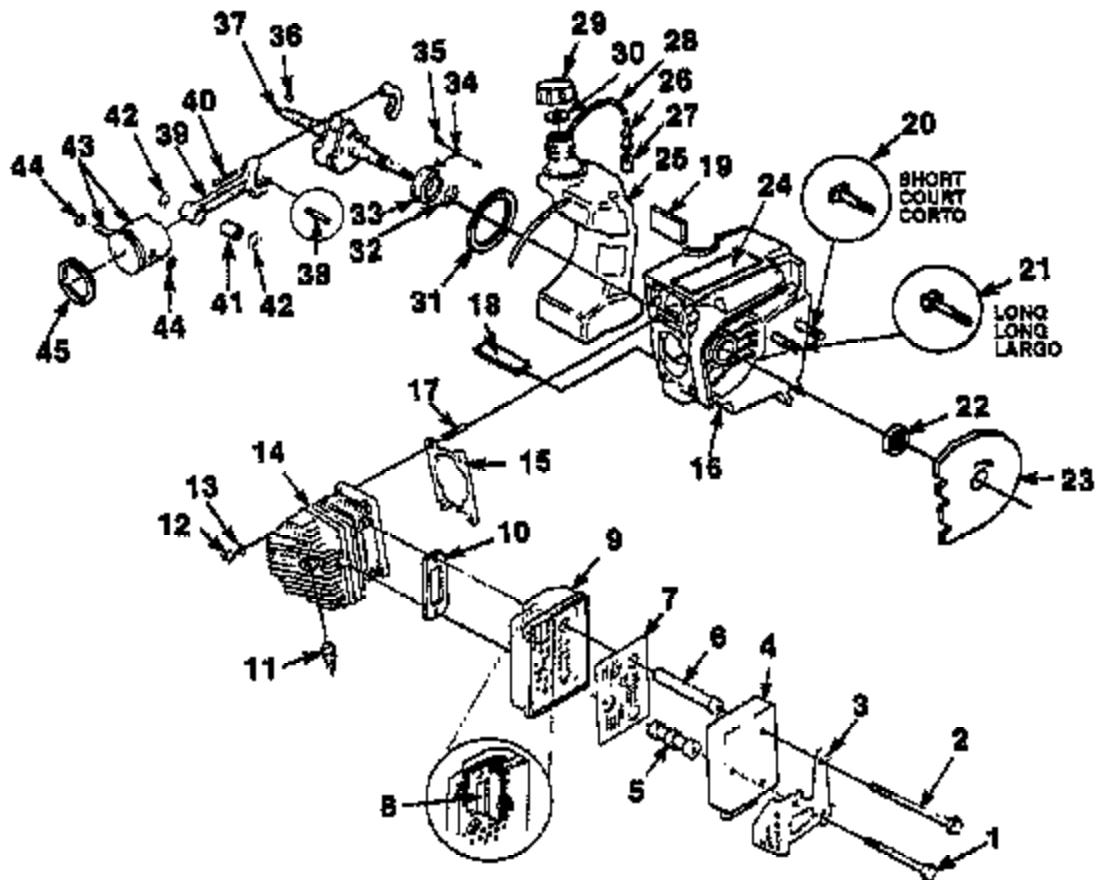


N	PN	D	Q	N	PN	D	Q
1	82855 1	SCREW- Th. Hd. (10-24 X 3/4") Torx (T25)	3	19	*A 86798 A	MODULE- Ignition	1
2	*A 02819 A	HOUSING- Starter w/bushing	1	20	86743	LEAD- High Tension	1
3	87177	BUSHING	1	21	A 84850	LEAD- Ground	1
4	*A 80082 B	GRIP- Starter	1	22	A 33085	TERMINAL- Spark Plug	1
6	70018 A	INSERT	1	23	*A 87860 3B	SWITCH- Grounding	1
8	A 89057	SPRING & RETAINER	1	24	72084 A1	NUT	1
7	84025	WASHER- Flat	2	25	12790 A	PLATE- Indicating	1
8	82529	SCREW- Thd. Form. (8-32 X 3/8")	2	26	80052	SCREW- Semi Hex Hd. (1/4-20 X 3/4")	1
9	*A 87890 C	PULLEY & CUP	1	27	83185	BEARING- Roller	1
10	A 00518	STARTER ROPE	1	28	12282 A	SEAL	1
11	02825	SPRING- Grip	1	29	*A 86799 A	PLATE- Back	1
12	87892 A	BUSHING- Starter Rope	1	30	80049	SCREW- (1/4-20 X 5/8")	1
13	88768	WASHER- Flat	1	31	96801 A	ROTOR	1
14	82406	SCREW- (10 7/8")	1	32	01101	SPRING- Starter Pawl	1
15	81124 A	NUT- Hex (3/8-24)	1	33	84115	WASHER- Flat	1
16	83102	WASHER- Lock (3/8")	1	34	88788 A	STARTER PAWL	1
17	84010	WASHER- Flat (3/8")	1	35	84054 C	SCREW- Shoulder	1
18	88044	SCREW- Semi Hex Hd. (8-32 X 1")	2	36	96178	SCREW- Th. Hd. (10-24 X 1.625) Torx (T25)	2

***A07024 STARTER ASSEMBLY COMPLETE**



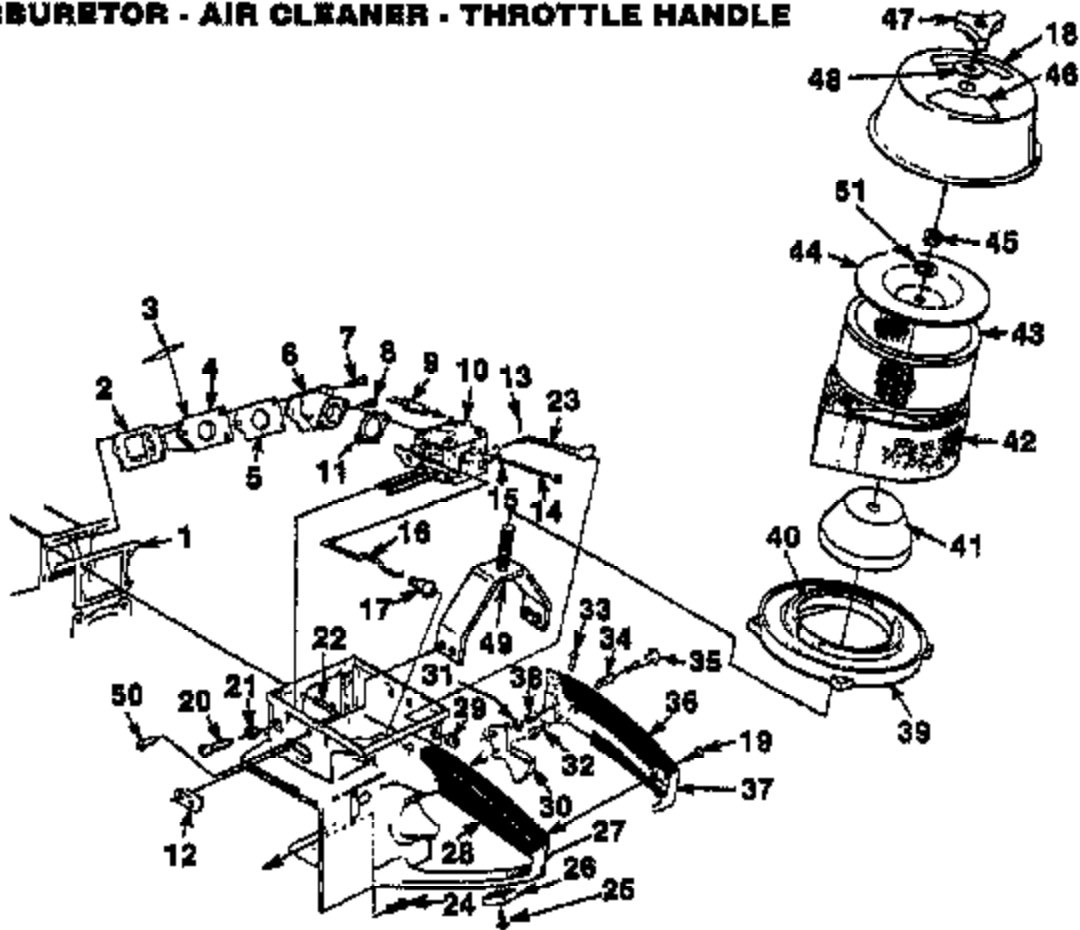
ENGINE INTERNAL - FUEL TANK - MUFFLER



N	PN	D	Q	N	PN	D	Q
1	* A 80804 C	COMPLETE MUFFLER	1	24	48788 A	DECAL- Instruction/Warning	1
2	88886	SCREW- Hex Hd.	1	25	* A 03495 A	FUEL TANK	1
3	82280	SCREW- Hex Hd. (1/4-20 X 3")	2	26	* A 97700	FILTER- Fuel	1
4	89842	SHIELD- Muffler	1	27	89253 1A	ELEMENT- Filter	1
5	A 89836 1	CAP- Muffler	1	28	93112 5B	TUBING- Rubber (1/2")	1
6	88544	SUPPORT- Short	1	29	* A 00682 B	CAP- Fuel	1
8	89843	SUPPORT- Long	1	30	88805 A	GASKET- Fuel	1
7	A 88800 A	SCREEN- Spark Arrestor	1	31	87559	"O" RING	1
8	89839	PLATE- Muffler	1	32	88319 A	RING- Retaining	1
9	A 88836 1	BODY- Muffler	1	33	88180	BEARING- Ball	1
10	78088	GASKET- Muffler	1	34	88706	WASHER- Lock	2
11	93561 B	SPARK PLUG	1	35	70306	SCREW- Torx (10-32)	2
12	98212	NUT- (1/4-28 X 3/8")	4	38	78078	KEY- Woodruff	1
13	83008	WASHER- Lock (1/4")	4	37	87188 4	CRANKSHAFT	1
14	* A 42205 B	CYLINDER	1	38	A 89068	BEARING- Needle	1
15	83778 1	GASKET- Cylinder	1	39	* A 89858 A	ROD- Connecting	1
16	* A 01848	CRANKCASE	1	40	89918	SCREW- Hex Hd. (8/32 X 1/2")	2
17	89436	STUD- Cylinder	4	41	88635 A	BEARING	1
18	03027	SPACER- Fuel Tank	1	42	88010	WASHER	2
19	03026 A	SPACER- Fuel Tank	1	43	* A 48214	PISTON & PIN ASSY.	1
20	87807	BOLT- (3/8-18 X 2 1/8")	1	44	84742	RING- Retaining	2
21	88818 A	BOLT- (3/8-18 X 2 11/32")	1	45	85537	PISTON RING	1
22	12306	SEAL	1				
23	84158 A	SAW DUST SHIELD	1				

No. N Part No. PN Description D Quantity Q Assembles Ensembles Conjuntes

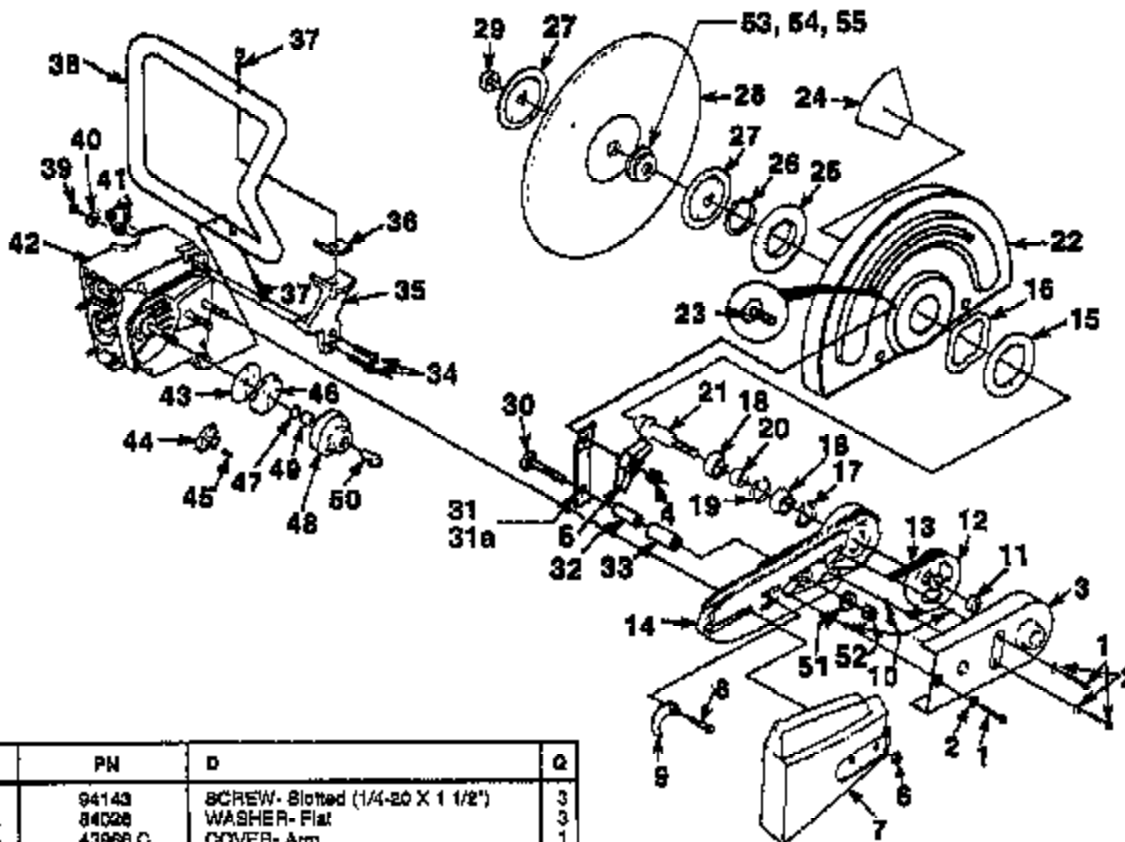
CARBURETOR - AIR CLEANER - THROTTLE HANDLE



N	PN	D	Q	N	PN	D	Q
1	83779 C	GASKET	1	27	A 01845	HANDLE- Throttle	1
2	60370 A	RETAINER- Reed	1	28	88787	GRIP- Throttle Handle	1
3	63186 A	REED- Valve	4	29	64982	GROMMET	1
4	63371 B	SEAT- Reed Valve	1	30	65745	TRIGGER	1
5	85489	GASKET	1	31	58409	RING- Retaining	1
6	A 67490 1	SPACER- Carburetor	1	32	65719	PIN	1
7	82670	SCREW- (8-32 X 1 1/4")	2	33	80023 2	SCREW- (8-32 X 5/8")	1
8	82640	SCREW- Thread form. (8-32 X 1 1/4")	1	34	88405	SPRING- Throttle lock	1
9	98112 82	FUEL LINE	1	35	98671	PIN- Throttle	1
10	A 07156	CARBURETOR	1	36	88788	GRIP- Throttle Handle	1
11	67640	GASKET	1	37	A 69046	COVER- Throttle Handle	1
12	69761	GROMMET	1	38	59064	BUSHING	1
13	88324	CUTTER PIN	1	A 48668 C	AIR FILTER KIT	1	
14	82179	SCREW- (10-32 X 1 7/8")	2	A 50982 B	RING & GASKET ASSY.	1	
15	82046	WASHER- Lock	2	50961	GASKET	1	
16	63285 A	ROD- Throttle	1	41	49788	FILTER- Air	1
17	58946	BOOT- Throttle Rod	1	42	49213	PRE FILTER- Fall	1
18	49263	DECAL- Instruction	1	43	54920 B	ELEMENT- Air Filter	1
19	60580	SCREW- Pan hd. (8-32 X 1/2")	2	44	49212	COVER- Filter Element	1
20	63369 A	SCREW- Idle Adjustment	1	45	81182	NUT- Hex (6/16-18)	1
21	81117	NUT- Jam (5/16-24)	1	46	A 48887	DECAL- Warning	1
22	80378	SCREW- Hex hd. (12-24 X 6/8")	4	47	08365	KNOB- Handle	1
23	67201 1	CHOKE ROD	1	48	A 03769 A	GASKET	1
24	80881	SCREW- Hex hd. (12-24 X 7/8")	1	49	A 03498	BRACKET- Cover	1
25	88049	SCREW- (10-24 X 1/2")	1	50	03498	SCREW	4
26	49866 1	PAD- Wear	1	51	48072	GASKET	1

No. N Part No. PN Description D Quantity Q Assemblies Ensembles

HANDLE - ARM ASSEMBLY - CLUTCH



N	PN	D	Q
1	94143	SCREW- Slotted (1/4-20 X 1 1/2")	3
2	84028	WASHER- Flat	3
3	43968 C	COVER- Arm	1
4	81162	NUT- Hex (5/16-18)	1
5	05364	KNOB-Handle	1
6	81089 2	NUT- Hex (10-24)	2
7	59578 8A	COVER-Drivecase	1
8	80087	SCREW-Hex hd. (5/16-18 X 1 1/2")	1
9	A 48184	CAM & ADJUSTER	1
10	49462	"D" RING	3
11	81246	NUT- Hex (1/2-13)	1
12	A 08239	PULLEY- Drive	1
13	48088	BELT- "V" Drive	1
14	* A 48558	ARM- Wheel	1
15	47367	SHIM	1
16	47368	SPRING- Wave	1
17	31746	RING- Retaining	1
18	83107	BEARING- Ball	2
19	47207	RING- Retaining	1
20	48067	SPACER- Bearing	1
21	D1905 A	SHAFT- Wheel	1
22	A 01872 B	WHEEL GUARD KIT (12")	1
	A 01873 A	GUARD- Wheel (14")	1
29	82519 A	BOLT- Step (5/16-18 X 3/4")	1
24	48922 A	LABEL- Caution	1
25	48000	WASHER- Mounting	1
26	46085	RING- Retaining	1
27	01909 1	FLANGE- Wheel	1
28	* 64885 B8	WHEEL- Resinold (12")	1
	* 49559	WHEEL- Resinold (14")	1

* See Page 5
 * Voir la Page 5
 * Consulte la Página 5

N	PN	D	Q
29	A 48783 A	KIT- Screw, Washer, Ret. Ring	1
30	89684	BOLT- Step (3 1/2")	1
31	02639 1	ARM- Adjusting (12")	1
31a	48817 1	ARM- Adjusting (14")	1
32	48818 A	SKIRT- Rubber	1
33	49553 A	TUBING- Rubber	1
34	80801	SCREW- Hex hd. (1/2-24 X 7/8")	2
35	89829 2	BRACKET- Handle bar	1
36	51183	MOUNT- Shock (bracket)	1
37	80428 1	SCREW- Nylock (1/4-20 X 1")	3
38	A 48850 1	HANDLE BAR	1
39	80839	SCREW- Pan hd.	1
40	95935	WASHER	1
41	81225	NUT- Hex (12-24)	2
42	A 01848 A	CRANKCASE	1
43	89828	COVER- Clutch	1
44	A 89480 C	CLUTCH ASSEMBLY	1
45	87058	SPRING- Clutch	3
46	86780 1B	PLATE- Clutch	1
47	89833	WASHER- Thrust (Inner)	1
48	* A 48224	PULLEY- Bearing & Arm	1
	51151	BEARING- Needle	1
50	A 87901 A	INNER RACE KIT	1
51	84027	WASHER- Flat	1
52	81162	NUT- Hex (5/16-18)	1
53	01902	SPACER- 1" Dia.	1
54	01903	SPACER- 22mm Dia.	1
55	01907	SPACER- 20mm Dia.	1

No. N
N°

Part No. PN
Pièces N°
No. de pieza

Description - D

Quantity Q
Quantité
Cantidad

Assemblies
Ensembles
Conjuntos

**ACCESSORIES
ACCESSOIRES
ACCESORIOS**

<p>WHEELS - Resinoid Roues - Resinoïde Ruedas tipo resina</p> <p>METAL - (12" x 1") 54527 BB Métal - (30,48cm x 2,54cm) Metal - (30,48cm x 2,54cm)</p> <p>DUCTILE - (12" x 1") 52421 AB Ductile - (30,48cm x 2,54cm) Dúctil - (30,48cm x 2,54cm)</p> <p>CONCRETE - (12" x 1") 64596 BB Béton - (30,48cm x 2,54cm) Concreto - (30,48cm x 2,54cm)</p> <p>CONCRETE - (12" x 20mm) 49826 Béton - (30,48cm x 0,2cm) Concreto - (30,48cm x 0,2cm)</p> <p>DUCTILE - (12" x 20mm) 49825 Ductile - (30,48cm x 0,2cm) Dúctil - (30,48cm x 0,2cm)</p> <p>METAL - (12" x 20mm) 49824 Métal - (30,48cm x 0,2cm) Metal - (30,48cm x 0,2cm)</p> <p>DUCTILE - (14" x 1") 49550 Ductile - (35,56cm x 2,54cm) Dúctil - (35,56cm x 2,54cm)</p> <p>METAL - (14" x 1") 49551 Métal - (35,56cm x 2,54cm) Metal - (35,56cm x 2,54cm)</p>	<p>WHEELS - Diamond Roues - Diamant Ruedas de diamante</p> <p>CONCRETE - (12" x 1 / 8" x 1") A 49751 A Béton - (30,48cm x 0,31cm x 2,54cm) Concreto - (30,48cm x 0,31cm x 2,54cm)</p> <p>CONCRETE - (14" x 1 / 8" x 1") A 49572 A Béton - (35,56cm x 0,31cm x 2,54cm) Concreto - (35,56cm x 0,31cm x 2,54cm)</p> <p>ELASTIC : 24823 Élastie Elastie</p> <p>COLLY KIT : UT05032 B Jeu pour chariot Juego de carretilla</p> <p>CARRY CASE w / insert A 18008 A Boîtier porteur avec insertion Maleta con inserto</p> <p>WET CUTTING KIT : A 49649 Jeu pour découpe humide Juego de corte líquido</p>
--	---

**TOOLS
OUTILS
HERRAMIENTAS**

<p>SHIM - Air Gap : 24306 Cale - Couche d'air intermédiaire Calea - intervalo de aire</p> <p>BIT - Torx 1/4" Shank : 24962 01 Mèche Torx avec tige de (0,64cm) Broca torx con vástago de (0,64cm)</p> <p>BIT - Torx 5/16" Shank : 24962 02 Mèche Torx avec tige de (0,79cm) Broca torx con vástago de (0,79cm)</p> <p>PULLER - Rotor : A 24544A Extracteur de rotor Extractor de rotor</p>	<p>SCREW DRIVER : 24541 Tournevis Destornillador</p> <p>WRENCH - Combination (5/8", 3/4", Screwdriver) A 24824 Clé combiné Llave combinada</p> <p>WRENCH - Clutch Spanner : A 23934 Clé à ergots réglable Llave ajustable</p> <p>WRENCH - 1/2" Forged : 03000 Lame - Carbone Cuchilla - de carburo</p>
--	--

CUSTOMER ASSISTANCE

FOR THE LOCATION OF YOUR
NEAREST HOMELITE SERVICING
DEALER IN THE UNITED STATES,
PUERTO RICO, AND
THE VIRGIN ISLANDS,

CALL:

1-800-242-4872

HEADQUARTERS

Homelite, Inc.
P.O. BOX 7047
CHARLOTTE, N.C. 28241

OVERSEAS OFFICES

EUROPE, AFRICA & MIDDLE-EAST

Homelite Netherlands B.V.
A Deere & Company Affiliate
Haverstraat 24
2163 GB Nieuw Vennep
The Netherlands

FRANCE

Homelite Atlantic SARL
Groupe Deere & Co.
BP 7011
98050 Cergy Pontoise Cedex
France

AUSTRALIA

Homelite Pacific Ltd.
A Deere & Company Affiliate
ACN 008 683 636
64 Rushdale Street
P.O. Box 856 MDA
Australia

CANADIAN OFFICES

Homelite Canada Limited
Homelite Canada Limitée

A Deere & Company Affiliate/
Une Filiale de Deere & Company
1850-58eth Avenue
Lachine, Québec, Canada H8T 3J5
1-800-383-6718

UNIT 212-214, 590 Ebury Place
New Westminster, B.C. V3M 6K7
1-800-667-3128

20-D Voyager Court South
Etobicoke, Ontario M9W 5M7
1-800-485-2249

Homelite inc.
A Subsidiary of Deere & Company