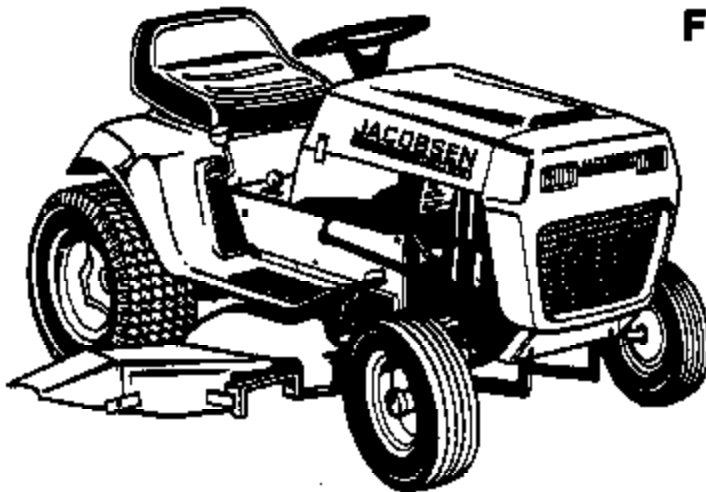


PARTS LIST

34" ROTARY MOWER



FOR: LTX
TRACTORS
UT 36020

JACOBSEN

HOMELITE

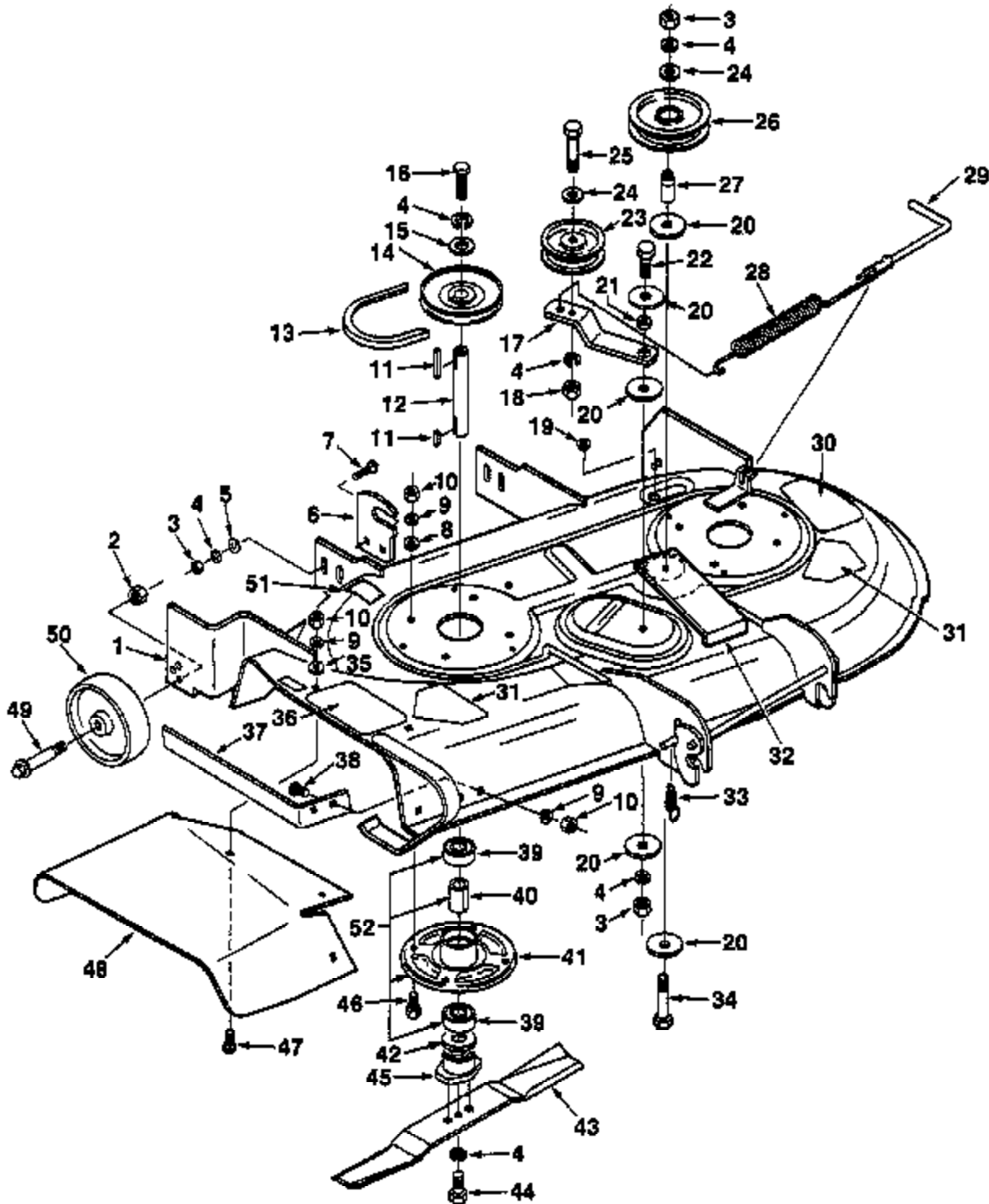


WARNING

IF INCORRECTLY USED THIS MACHINE CAN CAUSE SEVERE INJURY. THOSE WHO USE AND MAINTAIN THE MACHINE SHOULD BE TRAINED IN ITS PROPER USE, WARNED OF ITS DANGERS, AND SHOULD READ THE ENTIRE MANUAL BEFORE ATTEMPTING TO SET UP, OPERATE, ADJUST OR SERVICE THE MACHINE.

ILLUSTRATION

34" MOWER



34" MOWER

PARTS LIST

REF. NO.	PART NO.	QTY.	DESCRIPTION
1	JA-69179-0	1	MOWER HOUSING ASSEMBLY
2	JA-44478-2	2	NUT- 3/8-16 Prev. tq. hex L' nut
3	JA-44311-0	8	NUT- 3/8-16 Hex
4	JA-44514-2	10	WASHER- Lock 3/8 heavy
5	JA-31491-6	4	WASHER
6	JA-60112-1	2	BRACKET- Rear hanger
7	JA-44167-6	4	BOLT- 3/8-16 x 3/4 rd. hd. sq. neck Carr
8	JA-45260-6	8	WASHER- 5/16 etc. Flat
9	JA-44613-8	14	WASHER- Lock 5/16 hvy.
10	JA-44310-6	2	NUT- 5/16-18 Hex
11	JA-32079-1	4	KEY- 3/16 x 13/16 parallel
12	JA-33961-0	2	CUTTER- Shaft
13	JA-39260-6	1	BELT- Cutter drive
14	JA-39258-5	2	PULLEY- Mower drive
15	JA-31071-1	2	WASHER- Pulley retainer
16	JA-82454-0	2	SCREW- 3/8-24 x 2 1/4 hex hd.
17	JA-37814-0	1	ARM- Idler
18	JA-44381-0	1	NUT- 3/8-16 hex jam
19	JA-37897-7	1	FITTING- Wash out
20	JA-30948-7	4	WASHER- Blade mtp.
21	JA-33268-4	1	SPACER- Idler arm pivot
22	JA-40026-6	1	SCREW- 3/8-18 x 1 1/4 hex hd.
23	JA-39822-2	1	PULLEY- Idler
24	JA-45301-1	2	WASHER- 3/8 flat
25	JA-40027-0	1	SCREW- 3/8-16 x 2 Hex hd.
26	JA-16479-6	1	IDLER PULLEY ASSEMBLY

REF. NO.	PART NO.	QTY.	DESCRIPTION
27	JA-37814-1	1	MOUNTING- Spacer idler
28	JA-68014-6	1	SPRING- Extension
29	JA-37814-6	1	ROD- Spring release
30	JA-33673-7	1	DECAL- Danger
31	JA-33846-0	2	DECAL- OPEC warning
32	JA-88331-1	1	SUPPORT- Idler
33	JA-85149-3	1	SPRING- Hinge latch, front
34	JA-40027-6	1	SCREW- 3/8-16 x 2 hex hd.
35	JA-45300-8	4	WASHER- 5/16 SAE flat
36	JA-33673-6	1	DECAL- Danger
37	JA-3926-8	1	GUARD- Toe
38	JA-44008-0	2	BOLT- 5/16-18 x 7/8 rd. hd. short sq.
39	JA-37588-2	4	BEARING- Cutter shaft
40	JA-37807-6	2	SPACER- Bearing
41	JA-14219-2	2	CUTTER HOUSING ASSEMBLY
42	JA-68014-0	1	WASHER- Flat
43	JA-51901-5	1	CUTTER BAR SET
44	JA-40030-0	2	SCREW- 3/8-24 x 1 hex 5AE Grade 8
45	JA-33980-6	2	BLADE- Adapter
46	JA-40018-4	6	SCREW- 5/16-18 x 3/4 hex hd.
47	JA-44007-6	4	BOLT- 5/16-18 x 5/8 sq. neck carr
48	JA-89117-1	1	EXTENSION- Chute
49	JA-37608-4	2	BOLT- Shoulder axle
50	JA-33880-7	2	WHEEL- Gauge
51	JA-99031-0	1	DECAL- Belt mtp. instruction
52	JA-89167-0	2	CUTTER- Spindle (Include items 412, 39, 40 & 41)