

# **HOMELITE®**

## **PARTS LIST**

### **HRT 1240G (UT33024) TRACTOR**



Printed In U.S.A.  
**P/N 18623**

FIGURE 1

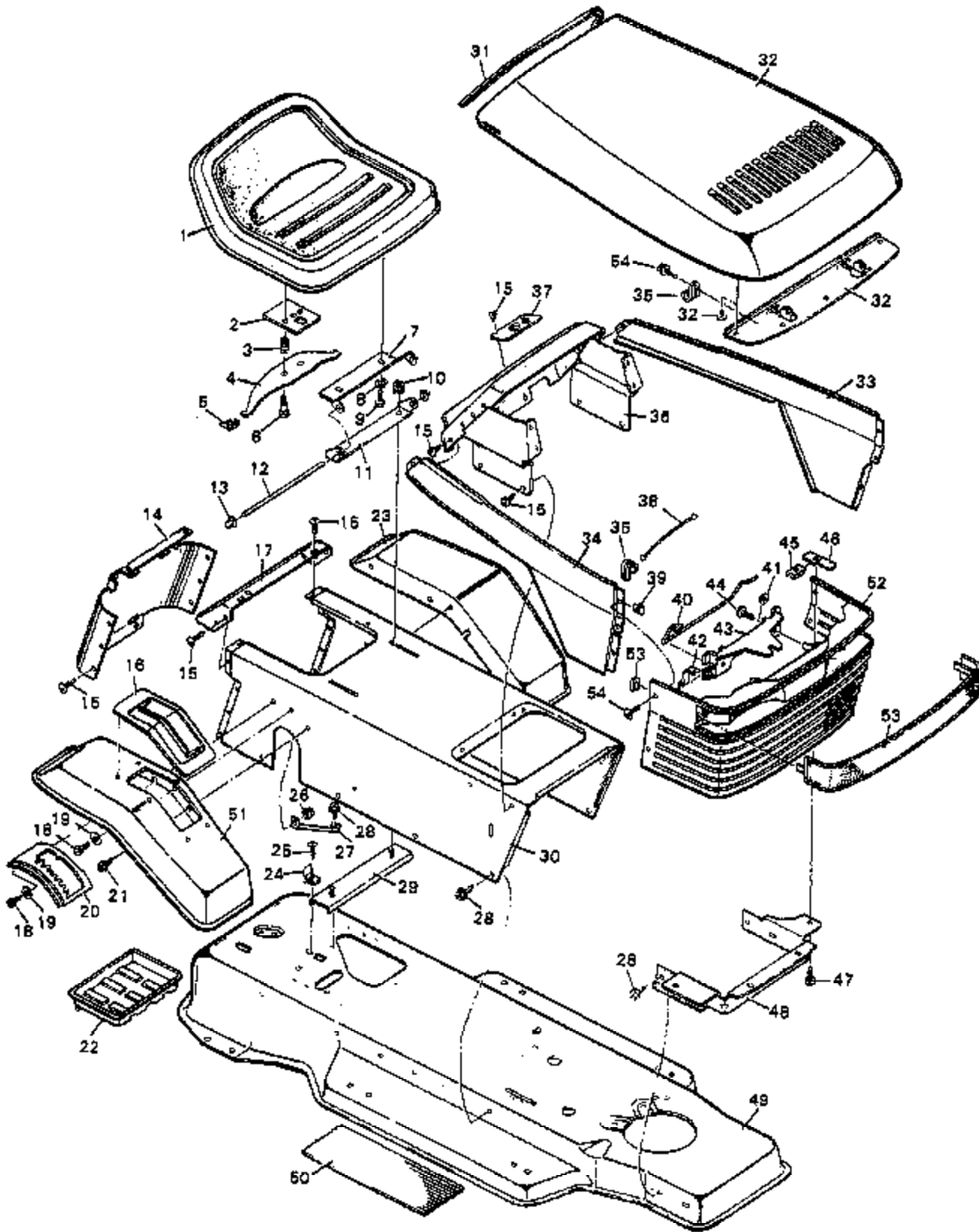


FIGURE 1

NO.	DESCRIPTION	PART NO.	NO.	DESCRIPTION	PART NO.
1	SEAT	03545-01	28	SCREW	03545-20
2	SWITCH PLATE ASSEMBLY	03545-02	29	CHANNEL ASSEMBLY	03545-21
3	SPRING- Compression	03545-03	30	CONSOLE	A-03549-09
4	SPRING- Seat	03545-04	31	TRIM- Edge	03545-22
5	GLIDE- Spring	03545-05	32	HOOD ASSEMBLY	A-03549-01
6	BOLT- Shoulder	03545-06	33	PANEL- Left	A-03549-03
7	SUPPORT- Seat	03545-07	34	PANEL- Right	A-03549-05
8	WASHER- Lock (5/16)	JA-44813-4	35	CLIP- Cable	03545-23
9	BOLT- Hex	JA-40018-2	36	DASH ASSEMBLY	A-03548-07
10	NUT- Hex washer	JA-44577-5	37	BEARING	03545-24
11	BRACKET- Pivot	03545-08	38	CABLE	03545-25
12	ROD- Pivot	03545-09	39	U-FASTENER	03545-26
13	CAP- Push on	JA-86493-5	40	ROD- Hinge	03545-27
14	CAP- Console	A-03549-15	41	WASHER	JA-45302-3
15	SCREW- Tap	03545-10	42	SPRING- Hood	03545-28
16	COVER- Shift	03545-11	43	BRACKET- Hood mount	03545-29
17	FENDER- Apron	03545-12	44	SCREW	03545-30
18	BOLT- Hex	JA-40010-6	45	NUT- Speed	03545-31
19	WASHER- Flat	34008	46	SHIELD- Heat	03545-32
20	GATE- Shift	03545-13	47	SCREW	03545-33
21	SCREW	03545-14	48	SUPPORT- Grille	03545-34
22	TRAY- Battery	03545-15	49	FRAME	A-03549-17
23	FENDER- Left	03545-16	50	MAT	03545-35
24	CLIP- Battery	03545-17	51	FENDER- Right	A-03549-12
25	SCREW	03545-18	52	GRILLE	03549-36
26	NUT- Lock	JA-44470-5	53	LENS	03545-37
27	STRUT- Console	03545-19	54	SCREW	03545-38

FIGURE 2

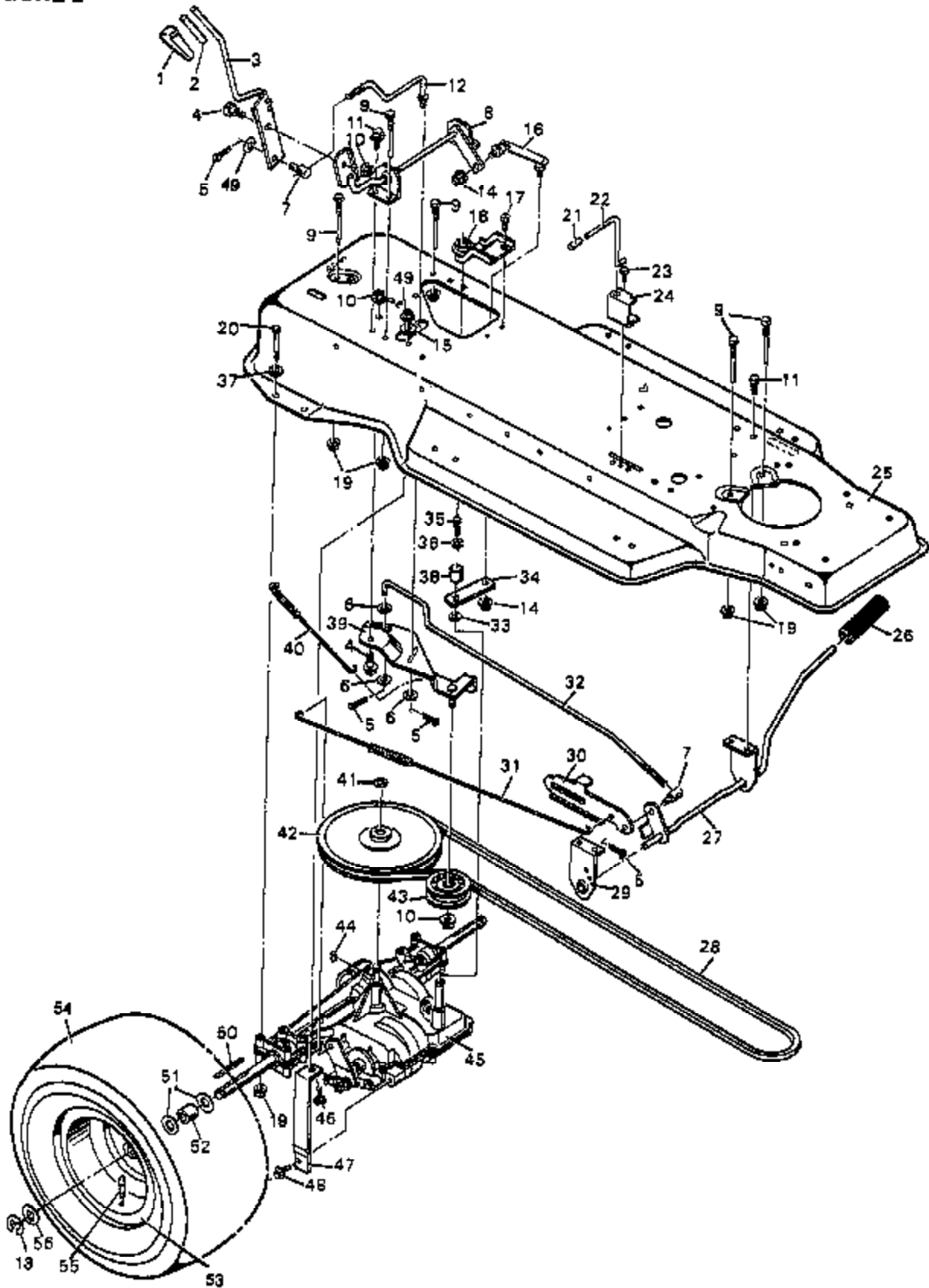


FIGURE 2

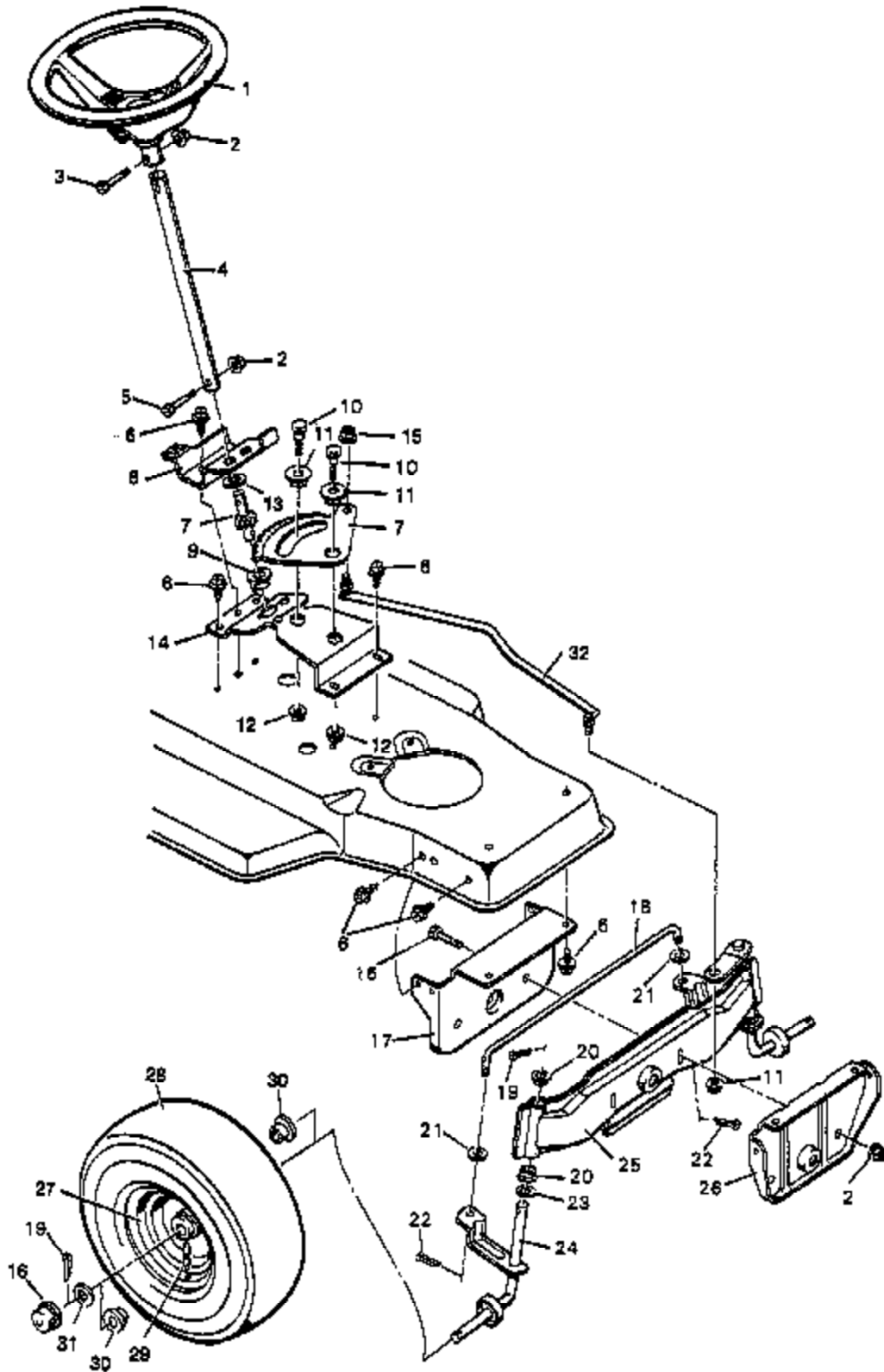
NO.	DESCRIPTION	PART NO.	NO.	DESCRIPTION	PART NO.
1	GRIP	03545-39	31	SPRING- Brake extension	03545-61
2	GRIP- Inner	03545-40	32	ROD- Clutch	03545-62
3	HANDLE- Shift	03545-41	33	WASHER	03545-63
4	BOLT- Shoulder	03545-42	34	YOKE- Shift	03545-64
5	PIN- Cotter	JA-48001-4	35	BOLT- Hex	03545-65
6	WASHER	JA-45300-8	36	WASHER- Lock	JA-44513-0
7	NUT- Adjustable	03545-43	37	WASHER	03545-66
8	SHIFTER ASSEMBLY	03545-44	38	PILOT- Support	03545-67
9	GUIDE- Belt	03545-45	39	BRACKET ASSEMBLY- Idler	03545-68
10	NUT- Lock (flange)	03545-46	40	SPRING- Motion drive extension	03545-69
11	SCREW	03545-20	41	RING- Retainer	JA-45800-8
12	LINK- Clutch	03545-47	42	PULLEY- Motion drive	03545-70
13	E-RING	03545-52	43	PULLEY- Backside idler	03545-71
14	NUT- Lock (flange)	03545-48	44	KEY- Woodruff #8	JA-46300-6
15	WASHER	84027	45	TRANSAXLE- Peerless (Model No. 890-011)	**
16	SHIFTER LINK ASSEMBLY	03545-49	46	BOLT- Carriage	JA-44160-2
17	SCREW	03545-20	47	SUPPORT- Transaxle	03545-73
18	BRACKET- Support	03545-50	48	SCREW	03545-74
19	NUT- Flange	JA-44577-5	49	WASHER	84010
20	BOLT- Hex	03545-51	50	KEY- Square	03545-76
21	GRIP	03545-52	51	WASHER	03545-78
22	ROD- Control	03545-53	52	SPACER- Transaxle	03545-77
23	SCREW	03545-14	53	WHEEL & TIRE ASSEMBLY*	03545-79
24	GUIDE- Bracket	03545-54	54	TIRE	03545-78
25	FRAME	A-03545-17		TUBE	03549-24
26	CLUTCH AND BRAKE PEDAL	03545-56	55	STEM- Valve	03545-80
27	LEVER ASSEMBLY	03545-57	56	WASHER	03545-81
28	BELT- Motion drive	03545-58			
29	BRACKET- Support	03545-59			
30	LATCH- Park brake	03545-60			

\* When ordering a tire, make sure to give the brand name of the tire so that the tread pattern on the tire will match.

\*\* See your authorized Tecumseh Service Center for transaxle replacement parts.

• ASSEMBLIES

**FIGURE 3**



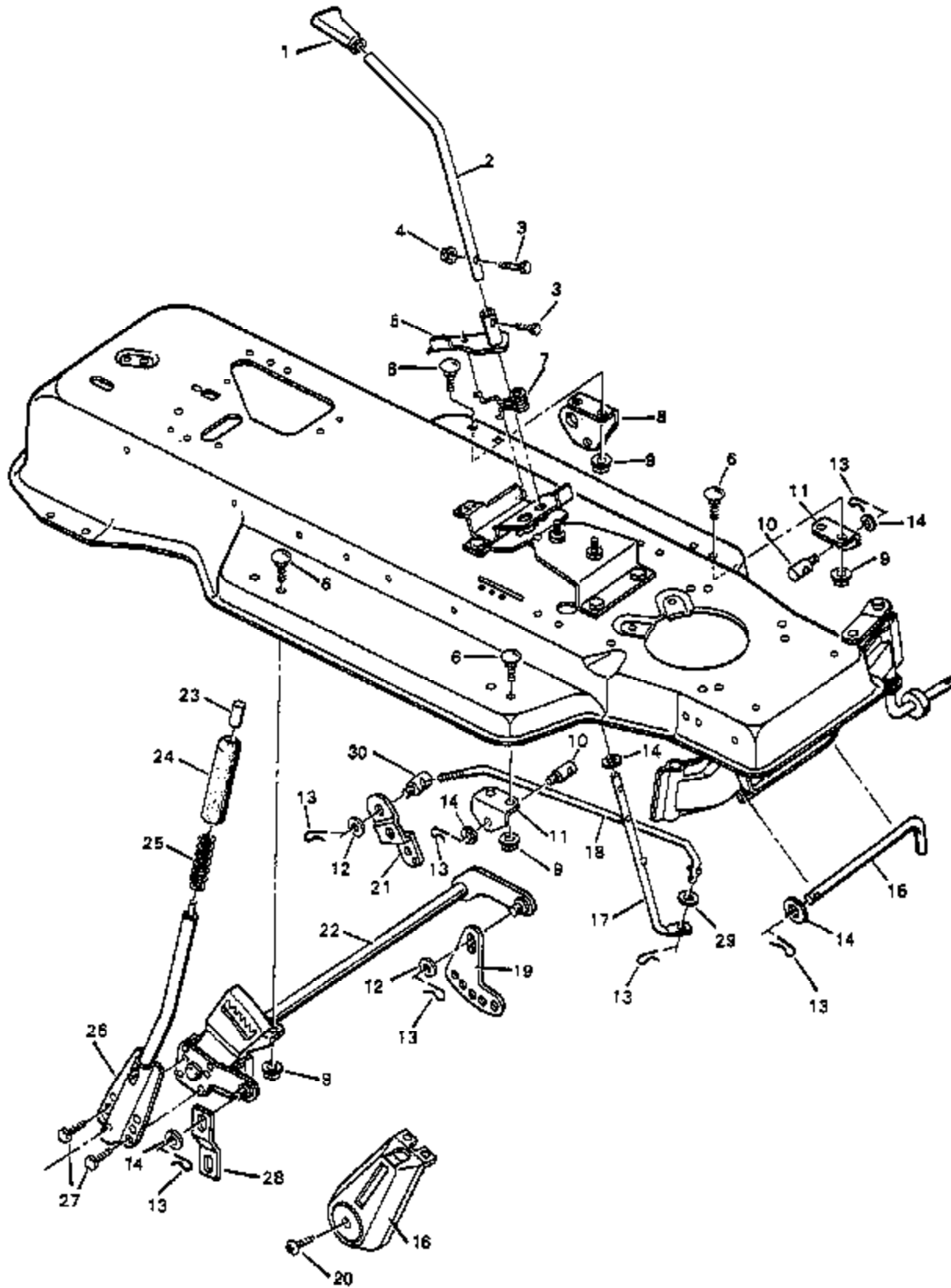
**FIGURE 3**

NO.	DESCRIPTION	PART NO.
1	WHEEL- Steering	03545-83
2	NUT- Hex	03545-84
3	BOLT- Hex	03545-85
4	POST- Steering	03545-86
5	BOLT- Hex	03545-87
6	SCREW	03545-20
7	• GEAR- Sector & Pinion	03545-88
8	BRACKET- Sector	03545-88
9	BEARING	03545-89
10	BOLT- Hex	JA-40018-5
11	BEARING	03545-09
12	NUT- Lock (flange)	03545-10
13	WASHER	03545-11
14	BRACKET- Sector	03545-93
15	NUT- Lock (flange)	03545-48
16	BOLT- Hex	03545-95
17	SUPPORT- Axle (rear)	03545-88
18	ROD- Tie	03545-87
19	PIN- Cotter	JA-46003-0
20	BEARING	03545-98
21	WASHER	JA-45301-1
22	PIN- Cotter	JA-46001-4
23	WASHER	03545-99
24	SPINDLE ASSEMBLY (Right)	03545-01
25	SPINDLE ASSEMBLY- Axle & Left	03545-02
26	SUPPORT- Front axle	03545-03
27	• WHEEL & TIRE ASSEMBLY*	03545-05
28	TIRE	03545-04
	TUBE	03545-05
29	STEM-Valve	03545-06
30	BEARING- Wheel	03545-07
31	WASHER	03545-91
32	LINK- Drag	03545-94

\* When ordering a tire, make sure to give the brand name of the tire so that the tread pattern on the tire will match.

• **ASSEMBLIES**

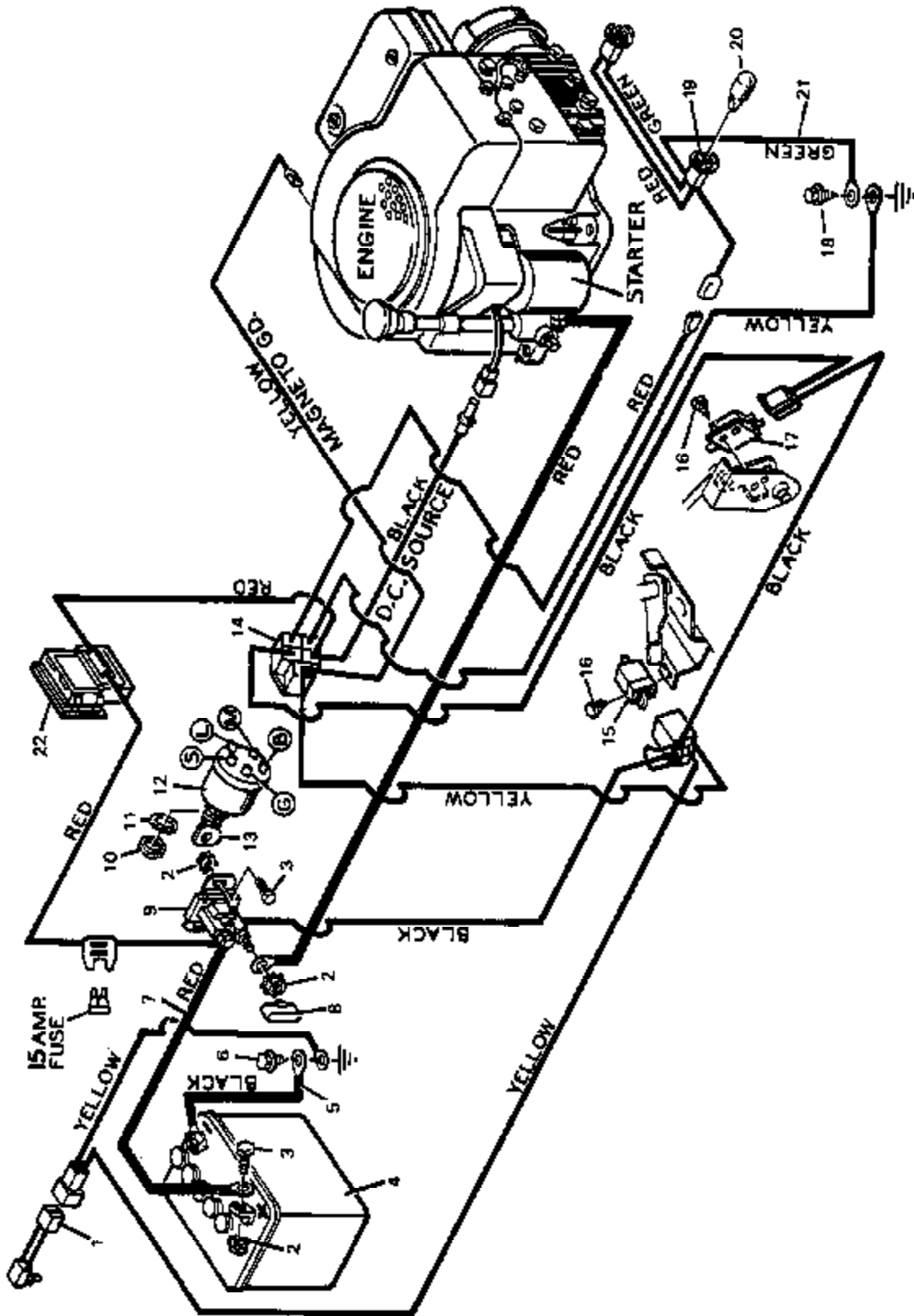
FIGURE 4



**FIGURE 4**

NO.	DESCRIPTION	PART NO.
1	GRIP	03545-35
2	LEVER- Blade control	03545-14
3	BOLT- Hex	03545-15
4	NUT- Lock (hex)	JA-44470-6
5	SWITCH LEVER ASSEMBLY	03545-18
6	BOLT- Carriage	JA-44180-2
7	SPRING- Torsion	03545-17
8	BRACKET- Left rear hanger	03545-16
9	NUT- Flange	JA-44577-5
10	NUT- Adjusting	03545-19
11	BRACKET- Adjusting rod	03545-20
12	WASHER	03545-21
13	PIN- Hex	JA-45031-2
14	WASHER	JA-45301-7
15	PIN- Pull	03545-22
16	COVER- Lift lever	03545-34
17	LEVER- Lower blade control	03545-23
18	ROD- Blade control	03545-24
19	PLATE- Adjuster	03545-25
20	SCREW	03545-38
21	BRACKET- Pivot	03545-26
22	LIFTER ASSEMBLY	03545-27
23	KNOB- Steel	03545-28
24	GRIP	03545-29
25	SPRING- Compression	03545-30
26	HANDLE ASSEMBLY	03545-31
27	SCREW	03545-32
28	LINK- Suspension	03545-33
29	WASHER	JA-45300-9
30	NUT- Adjusting	03545-36

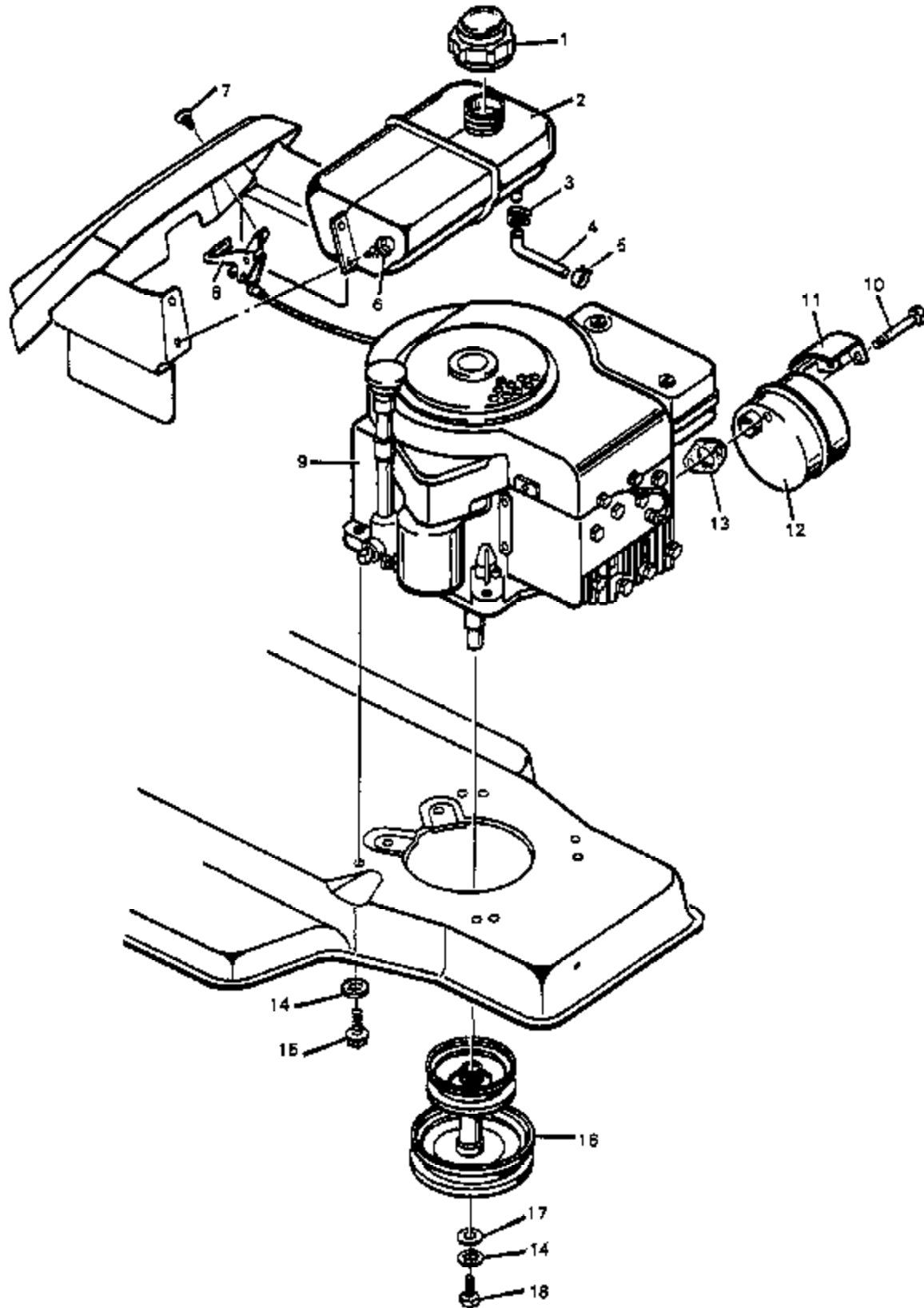
FIGURE 5



**FIGURE 5**

NO.	DESCRIPTION	PART NO.
1	SWITCH- Seat sensor	03546-37
2	NUT- Lock	JA-44470-8
3	BOLT- Hex	JA-40010-8
4	BATTERY- 30 amp.	03546-38
	ACID- Battery (Electrolyte)	03546-39
6	CABLE- Battery (ground)	03546-40
8	SCREW	03546-20
7	CABLE- Battery (positive)	03546-41
8	COVER- Solenoid	03546-42
9	SOLENOID	03546-43
10	NUT- Hex	03546-44
11	WASHER- Shakeproof	JA-44722-4
12	SWITCH- Ignition	03546-45
13	IGNITION KEY & RING	03546-46
14	HARNES- Chassis wire	03546-47
	FUSE- Replacement	03546-48
	HOLDER- Fuse replacement	03546-49
15	SWITCH- P.T.O.	03546-50
16	SCREW	03546-51
17	SWITCH- Clutch	03546-52
18	SCREW	03545-14
19	SOCKET- Light	03546-53
20	BULB- Light	03546-54
21	HARNES- Light wire	03546-55
22	AMMETER	03546-56

**FIGURE 6**



**FIGURE 6**

NO.	DESCRIPTION	PART NO.
1	CAP- Fuel	03546-57
2	TANK- Fuel	03546-58
3	CLAMP- Hose	03546-59
4	LINE- Fuel	03546-60
5	CLAMP- Hose	03546-61
6	SCREW	03546-14
7	SCREW	03546-52
8	CONTROL- Throttle	03546-53
9	ENGINE	*
10	BOLT- Hex	03546-64
11	SHIELD- Muffler heat	03546-65
12	MUFFLER	03546-66
13	GASKET	03546-67
14	WASHER	JA-44701-4
15	BOLT- Engine mount	03546-68
16	STACK PULLEY ASSEMBLY	03546-69
17	WASHER	03546-70
18	BOLT- Hex	03546-71

\* For engine replacement parts, locate the engine brand name, model number, and type number and consult the appropriate dealer in your area.

FIGURE 7

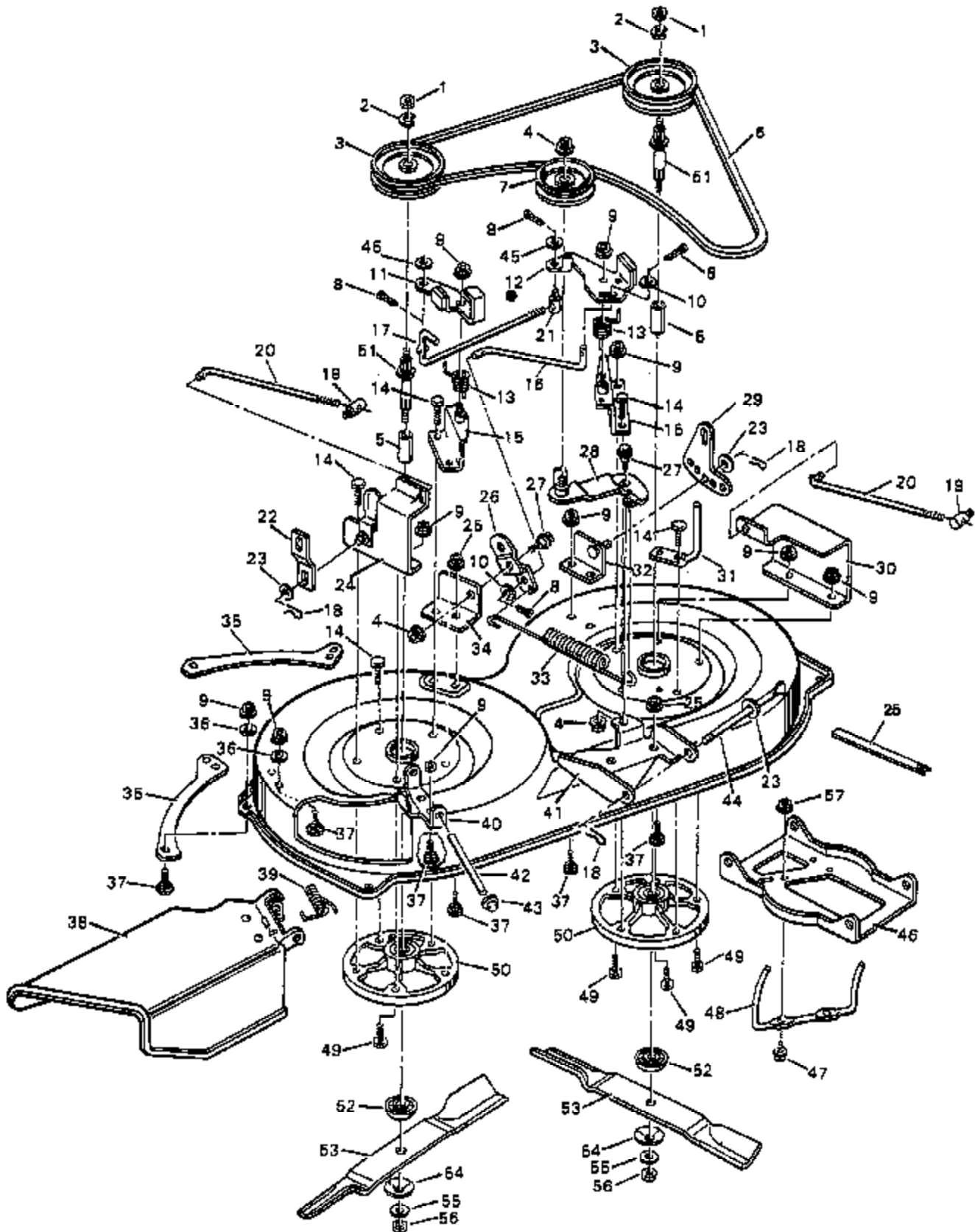
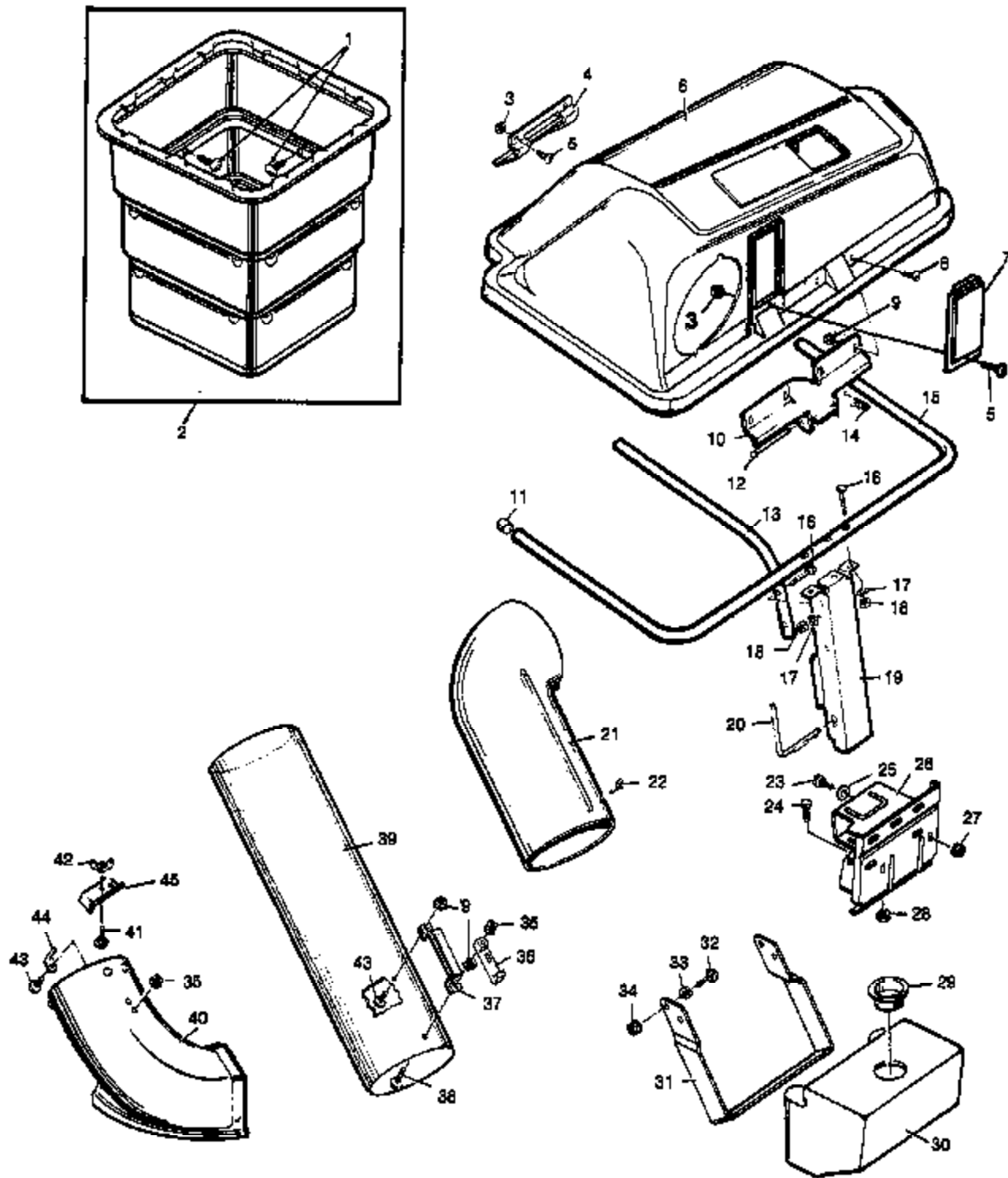


FIGURE 7

NO.	DESCRIPTION	PART NO.
1	NUT- Centerlock	JA-99504-5
2	WASHER- Lock	03546-72
3	PULLEY- Jackshaft	JA-99494-2
4	NUT- Lock (flange)	03546-73
5	SPACER	JA-99493-4
6	BELT- Blade drive	03546-74
7	PULLEY- Idler	03546-75
8	PIN- Cotter	JA-46001-4
9	NUT- Lock (flange)	JA-44577-5
10	WASHER	84066
11	BRAKE ASSEMBLY (Right)	03546-76
12	BRAKE ASSEMBLY (Left)	03546-77
13	SPRING- Torsion	03546-78
14	BOLT- Hex	JA-40991-5
15	BRAKE BRACKET ASSEMBLY	03546-79
16	BRAKE ROD	03546-80
17	ROD- Cross link	03546-81
18	PIN- Hair	JA-46001-2
19	NUT- Adjustable	03546-82
20	ROD- Adjuster	03546-83
21	NUT- Adjustable	03546-83
22	LINK- Suspension	03546-85
23	WASHER	JA-46301-7
24	RIGHT LIFTER BRACKET ASSY.	03546-89
25	INDICATOR- Plastic	03546-22
26	BRACKET- Pivot	03546-87
27	BOLT- Carriage	03546-42
28	IDLER ARM ASSEMBLY	03546-88
29	PLATE- Adjuster	03546-89
30	COVER- Pulley	03546-90

NO.	DESCRIPTION	PART NO.
31	GUIDE- Belt	03546-91
32	LEFT LIFTER BRACKET ASSY.	03546-92
33	SPRING- Extension	03546-89
34	BRACKET- Pivot	03546-84
35	PLATE	JA-99000-7
36	WASHER	JA-46301-1
37	BOLT- Carriage	JA-44180-2
38	CHUTE DEFLECTOR ASSEMBLY	JA-99493-9
39	SPRING- Torsion	JA-99493-2
40	BRACKET- Hinge	JA-99000-8
41	BRACKET- Front hanger	03546-95
42	ROD- Deflector	JA-99493-0
43	CAP- Push on	JA-99493-5
44	ROD- Hanger	03546-95
45	WASHER	03546-21
46	HANGER- Front	03546-98
47	SCREW	03546-99
48	GUIDE- Belt	03546-20
49	BOLT- Hex	JA-40018-6
50	HOUSING- Spindle	JA-99494-1
51	SPINDLE	JA-99493-1
52	ADAPTER- Blade	JA-99493-3
53	BLADE (2 required)	03546-21
54	WASHER- Belleville	JA-99492-7
55	WASHER	JA-99492-8
56	NUT- Hex	JA-99504-8
57	NUT- Hex	JA-44576-8

FIGURE 8



**FIGURE 8**

NO.	DESCRIPTION	PART NO.
1	FASTENER, Plastic	03542
2	CONTAINERS (Incl. #1)	03546-97
3	NUT- Lock (hex)	JA-44478-2
4	HANDLE- Plastic	JA-99500-6
5	SCREW	JA-40391-2
6	COVER	03546-66
7	WINDOW	03546-72
8	SCREW	JA-40293-4
9	NUT- Keys	JA-99501-4
10	HINGE- Cover	JA-99501-6
11	GAP- End	JA-99501-8
12	PIN- Hinge cover	JA-99501-7
13	TUBE- Center	JA-99501-8
14	PIN- Hair	JA-46031-2
15	TUBE- Outer	JA-99502-1
16	BOLT- Special	JA-99502-2
17	WASHER- Lock	JA-44613-4
18	NUT- Hex	JA-99502-5
19	CHANNEL ASSEMBLY	JA-99502-8
20	PIN- Channel	JA-99502-7
21	ELBOW	JA-99502-9
22	SCREW	JA-99502-9

NO.	DESCRIPTION	PART NO.
23	BOLT- Hex	JA-40018-8
24	BOLT- Hex	03544-01
25	WASHER	JA-45200-6
26	BRACKET- Frame	JA-99503-3
27	NUT- Lock (flange)	JA-99503-4
28	NUT- Stover hex	03544-02
29	PLUG- Weight	03544-03
30	WEIGHT- Front	03544-04
31	SUPPORT- Front weight	03544-05
32	BOLT- Carriage	JA-44190-2
33	NUT- Jam	JA-44380-6
34	NUT- Lock (flange)	JA-44577-6
35	NUT- Lock (flange)	JA-44576-8
36	LATCH- Rubber	JA-99503-6
37	HANDLE- Connector tube	JA-99503-7
38	SCREW	JA-99503-8
39	TUBE- Connector	03544-08
40	TUBE- Extension	03544-07
41	BOLT- Carriage	JA-44157-9
42	NUT- Wing	JA-99503-3
43	BOLT- Carriage	JA-44156-4
44	PIN- Latch	JA-99504-2
45	PLATE	03541