

HOMELITE®

PARTS LIST

LAWN TRACTORS

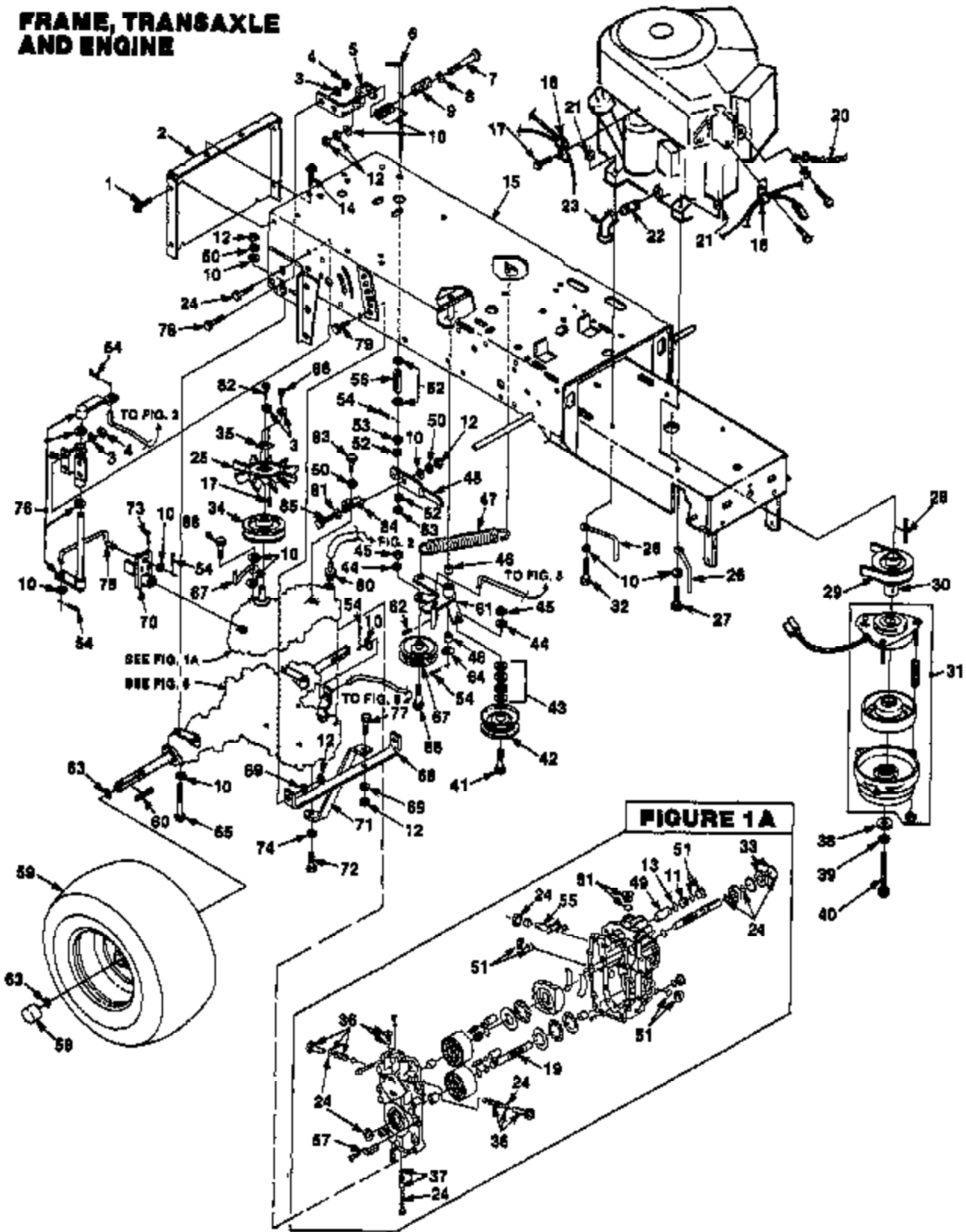
MODEL:
LT1438H
UT33022



PART NO. JA-89485-9
PRINTED IN U.S.A.
Price \$1.00

FIGURE 1

FRAME, TRANSAXLE AND ENGINE



ALWAYS FURNISH MODEL AND SERIAL NUMBERS WHEN ORDERING PARTS.

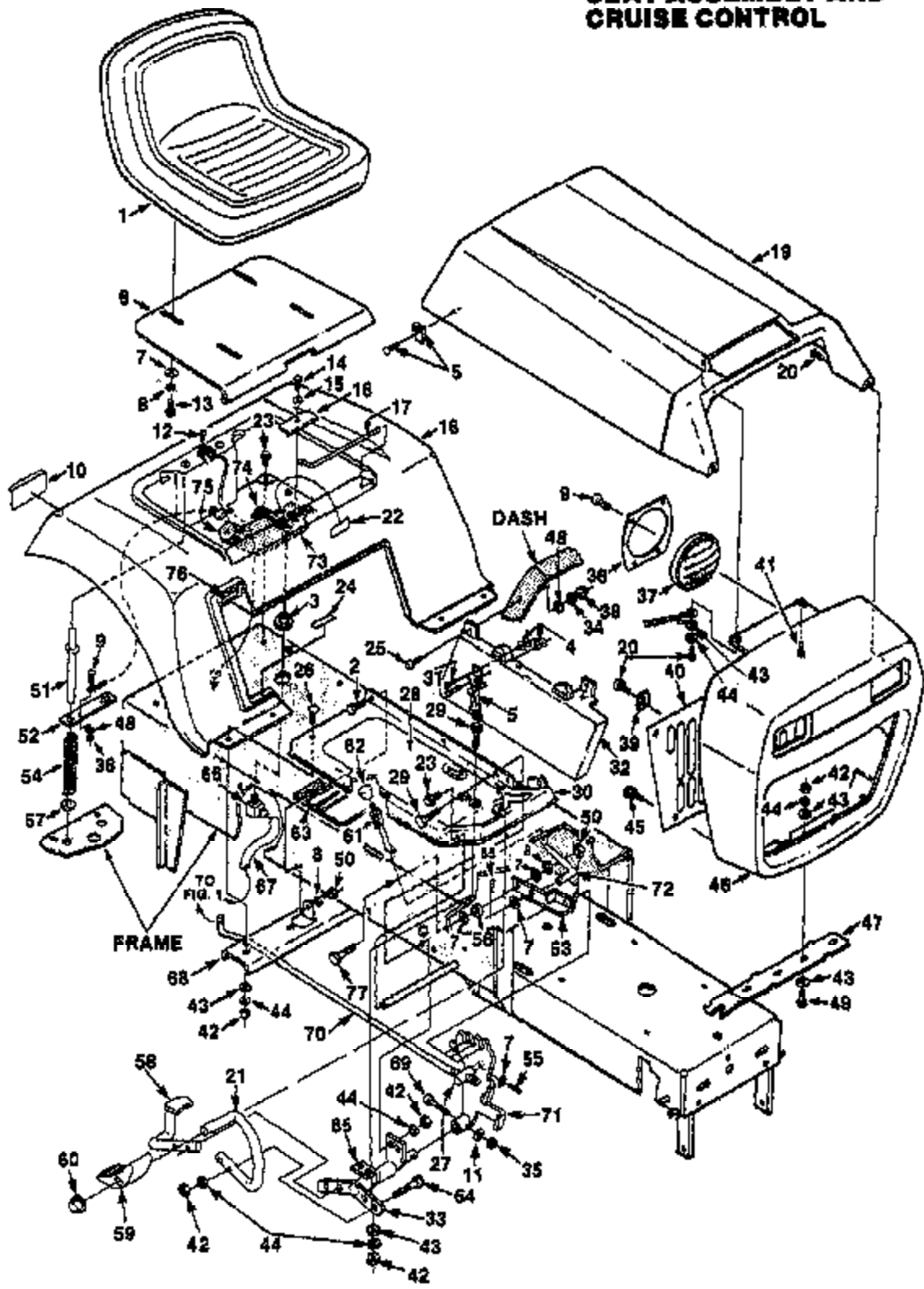
PARTS LIST- FIGURE 1

NO.	PART NO.	QTY.	DESCRIPTION	NO.	PART NO.	QTY.	DESCRIPTION
1	JA-40840-8	4	SCREW- (1/4-14 x 1")	47	JA-37808-8	1	SPRING- Extension
2	JA-99498-6	1	BRACKET- Hitch	48	JA-99325-4	1	LINK- Dump
3	JA-44812-8	3	WASHER- Lock (1/4")	49	JA-99457-5	1	FILTER
4	JA-44310-2	8	NUT- Hex (1/4-20)	50	JA-44818-4	2	WASHER- Lock (5/16")
5	JA-99932-8	2	LIMITER- Bracket	51	JA-99457-2	1	PLUG
6	JA-99325-9	1	ROD- Dump	52	JA-45302-3	4	WASHER- Flat (1/4")
7	JA-99367-9	2	BOLT- Rd Hd, Sq Neck (1/4-20 x 4 1/2")	53	JA-44470-8	8	NUT- Lock (1/4-20)
8	JA-45301-3	2	WASHER (7/16")	54	JA-48001-4	9	PIN- Cotter (3/32-3/4")
9	JA-99398-1	2	SPRING- Compression	55	JA-99458-8	1	UNION ARM
10	JA-45300-9	20	WASHER- Flat (5/16")	56	JA-31534-4	2	SPRING
11	JA-99467-3	1	SPRING (Filter)	57	JA-99458-9	1	NAME PLATE
12	JA-44310-8	8	NUT- Hex (5/16-18)	58	JA-99328-6	2	CAP- Rear Hub
13	JA-99467-4	1	WASHER (Filter)	59	JA-99316-7	2	REAR WHEEL ASSY
14	JA-40856-5	2	SCREW- (1/4-20 x 9/16")	60	JA-99328-4	2	KEY- (1/4 x 2.50)
15	JA-99447-2	1	FRAME	61	JA-99433-8	1	BEARING ASSY. (Incl #46)
16	JA-99431-0	3	CLAMP	62	JA-40004-8	1	PIN
17	JA-99321-8	1	KEY	63	JA-45803-9	4	RING- Snap
18	JA-99367-6	1	SCREW (m8 x 1 1/4 x 120mm)	64	JA-46301-7	2	WASHER- Flat (1/2")
19	JA-99487-7	1	SHAFT- Motor	65	JA-40020-2	4	SCREW- (5/16 x 3")
20	JA-99498-0	1	CHAIN- Restraining	66	JA-40020-8	1	SCREW- (3/8-16 x 1 3/4")
21	JA-44577-6	4	NUT- Hex C'lock	67	JA-33822-2	1	PULLEY
22	JA-99603-9	1	NIPPLE- Pipe (3/8 x 2")	68	JA-99329-5	1	REINFORCEMENT
23	JA-47170-4	1	ELBOW- (3/8")	69	JA-44513-6	3	WASHER- Lock (5/16")
24	JA-99458-6	1	OVERHAUL- Seal kit	70	JA-99321-7	1	ARM & LUG
25	JA-99264-8	1	FAN	71	JA-99326-7	1	BRACKET- Rotation Control
26	JA-99224-4	2	GUIDE- Front Belf	72	JA-40687-0	1	SCREW- (5/16-18 x 88)
27	JA-40019-2	4	SCREW- (5/16-18 x 1 3/4")	73	JA-43200-6	1	SCREW- Set (1/4-20 x 1/2")
28	JA-30898-8	2	KEY	74	JA-45200-6	3	WASHER- Flat (5/16")
29	JA-99494-4	1	BELT- Traction	75	JA-99307-2	1	ROD
30	JA-99107-1	1	PULLEY- Drive	76	JA-99433-3	1	PIVOT- Bracket & Arm
31	JA-99087-7	1	CLUTCH- Brake	77	JA-40018-8	3	HEX BOLT- (5/16-18 x 1")
32	JA-40018-6	1	SCREW	78	JA-40010-8	4	SCREW- (1/4-20 x 3/4")
33	JA-99458-9	1	SEAL KIT	79	JA-40018-4	4	SCREW- (5/16-18 x 3/4")
34	JA-99283-4	1	PULLEY- Drive	80	JA-99316-1	1	CONNECTOR
35	JA-99357-6	1	PLATE- Retainer	81	JA-99317-1	1	SLEEVE
36	JA-99458-1	1	CHECK VALVE KIT	82	JA-99367-7	1	SCREW- (m8 x 1 x 12mm)
37	JA-99458-3	1	BYPASS VALVE KIT	83	88120	1	SCREW- (m8 x 1 25 x 50mm)
38	JA-99012-8	1	CLUTCH- Retainer	84	JA-99325-3	1	BRACKET- Pivot
39	JA-44814-8	1	WASHER- Lock (7/16")	85	JA-40018-6	1	SCREW- (5/16-18 x 7/8")
40	JA-40036-8	1	SCREW- (7/16-20 x 3)	86	JA-40800-5	2	SCREW- (#10-24 x 5/8")
41	JA-40027-0	1	SCREW- (3/8-16 x 2)	87	JA-99368-7	1	GUIDE BELT
42	JA-33863-0	1	IDLER- Inside	88	JA-99367-8	1	SCREW- (m8 x 1 1/4 x 120mm)
43	JA-45301-1	4	WASHER- Flat (3/8")				
44	JA-44814-2	2	WASHER- Lock (3/8")				
45	JA-44311-0	2	NUT- Hex (3/8-18)				
46	JA-32818-3	1	BUSHING				

ALWAYS FURNISH MODEL AND SERIAL NUMBERS WHEN ORDERING PARTS.

FIGURE 2

COWLING, REAR FENDER, SEAT ASSEMBLY AND CRUISE CONTROL



ALWAYS FURNISH MODEL AND SERIAL NUMBERS WHEN ORDERING PARTS.

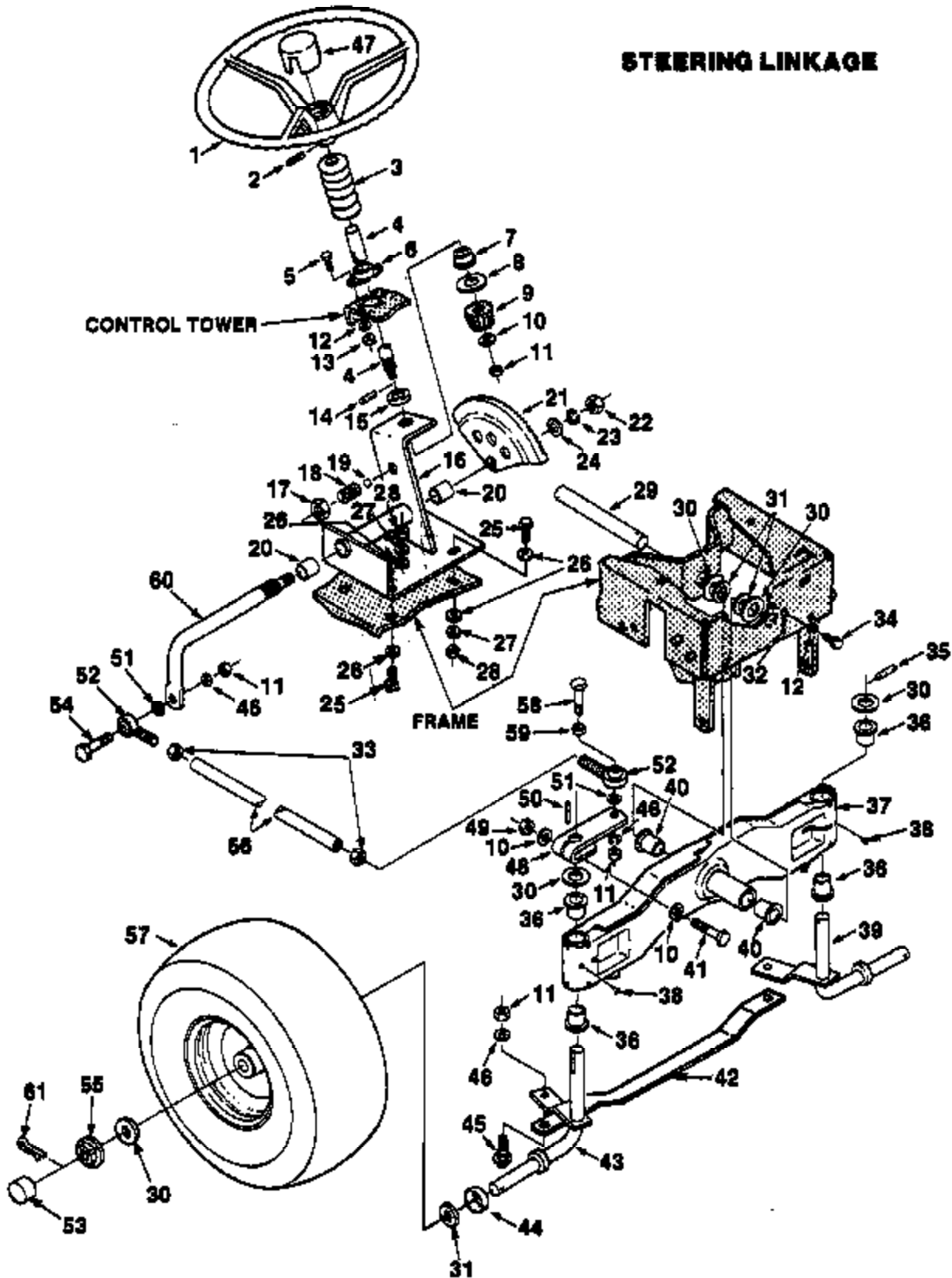
PARTS LIST- FIGURE 2

REF.							
NO.	PART NO.	QTY.	DESCRIPTION	NO.	PART NO.	QTY.	DESCRIPTION
1	JA-98485-7	1	SEAT	39	JA-99447-0	2	CLIP- Grill Top
2	JA-40018-4	2	SCREW- Hex hd. (5/16-18 x 3/4")	40	JA-99039-7	1	GRILLE
3	JA-38111-7	1	BUSHING	41	JA-40840-4	3	SCREW- (1/4-14 x 3/4")
4	JA-45700-6	4	WASHER- Flat	42	JA-44310-2	16	NUT- Hex (1/4-20)
5	JA-98028-0	2	LATCH	43	JA-45302-3	16	WASHER- Plain (1/4")
6	JA-99492-5	1	PAN- Seat	44	JA-44612-6	16	WASHER- Lock (1/4")
7	JA-45300-9	8	WASHER- Flat (5/16")	45	JA-40840-5	2	SCREW- (1/4-14 x 1/2")
8	JA-44613-6	8	WASHER- Lock Hvy. (5/16")	46	JA-99492-4	1	COWLING
9	JA-40390-8	11	SCREW- (#10-24 x 3/8")	47	JA-39280-0	1	GRILLE HINGE
10	JA-33575-7	2	REFLECTOR	48	JA-44611-6	3	LOCKWASHER (#10)
11	JA-45505-3	2	WASHER- Thrust	49	JA-40011-0	4	SCREW- (1/4-20 x 7/8")
12	JA-40925-4	1	SCREW- (#10 x 1/2")	50	JA-44310-6	8	NUT- Hex (5/16-18)
13	JA-40018-2	8	SCREW- (5/16-18 x 5/8")	51	JA-37611-7	2	PIN- Seat Support
14	JA-40010-8	2	SCREW- (1/4-20 x 3/4")	52	JA-37611-6	1	CONTACT- Interlock
15	JA-44613-0	1	WASHER- Lock (1/4")	53	JA-99436-5	1	CONTROL ARM
16	JA-37612-0	1	BRACKET- Rod. Ret.	54	JA-37611-8	2	SPRING- Compression
17	JA-37611-9	2	ROD- Hinge	55	JA-46001-4	2	PIN- Cotter (3/32 x 3/4")
18	JA-99482-3	1	FENDER	56	JA-99359-9	1	SPACER
19	JA-99132-1	1	HOOD	57	JA-37612-2	2	WASHER- Insulating
20	JA-40940-8	6	SCREW- (1/4-14 x 1")	58	JA-99324-9	1	ARM- Reverse
21	JA-99325-1	1	FORWARD ARM	59	JA-34502-0	1	PEDAL- Rubber
22	JA-99368-4	1	DECAL- Fill Level	60	JA-37581-0	1	NUT- (5/8")
23	JA-37587-6	4	BOLT	61	JA-31534-4	2	SPRING
24	JA-99101-7	1	DECAL- Lo-Lift Position	62	JA-31520-9	1	KNOB
25	JA-40391-0	1	SCREW- (#10-24 x 1/2")	63	JA-99285-3	1	DECAL- Operation Warning
26	JA-44180-4	4	BOLT- (1/4-20 x 1")	64	JA-40011-4	6	SCREW- (1/4-20 x 1/4")
27	JA-99175-9	1	CLEVIS	65	JA-99359-9	1	TUBE & SUPPORT
28	JA-33981-2	1	PAD- Footboard (L.H.)	66	JA-99315-9	1	CONNECTOR
	JA-99332-4	1	PAD- Footboard (R.H.)	67	JA-99323-6	1	TUBING- Reservoir (7.25)
29	JA-40010-6	4	SCREW- (1/4-20 x 5/8")	68	JA-33982-7	1	BRACKET- Footboard
30	JA-99398-2	1	FOOTBOARD (L.H.)	69	JA-43402-7	1	SCREW- Socket (#10-24 x 1/3/4")
	JA-99398-1	1	FOOTBOARD (R.H.)	70	JA-99322-1	1	ROD
31	JA-45484-2	6	RIVET	71	JA-99398-5	1	SEGMENT
32	JA-99334-5	1	PANEL- L.H. Side	72	JA-99436-6	1	ROD- Cruise Control
	JA-99334-3	1	PANEL- R.H. Side	73	JA-99356-1	1	RESERVOIR
33	JA-99321-3	1	PLATE & SHAFT	74	JA-37548-7	1	STRAP
34	JA-45200-2	2	WASHER- Flat (#10)	75	JA-99355-6	1	CAP
35	JA-44478-2	4	NUT (#10-24)	76	JA-99101-4	1	DECAL- High Lift Position
36	JA-33982-6	2	RETAINER- Headlight	77	JA-40018-8	1	SCREW- Hex Hd. Cap (5/16-18 x 1")
37	JA-37609-1	2	HEADLIGHT				
38	JA-44431-0	4	NUT- (#10-24)				

ALWAYS FURNISH MODEL AND SERIAL NUMBERS WHEN ORDERING PARTS.

FIGURE 3

STEERING LINKAGE



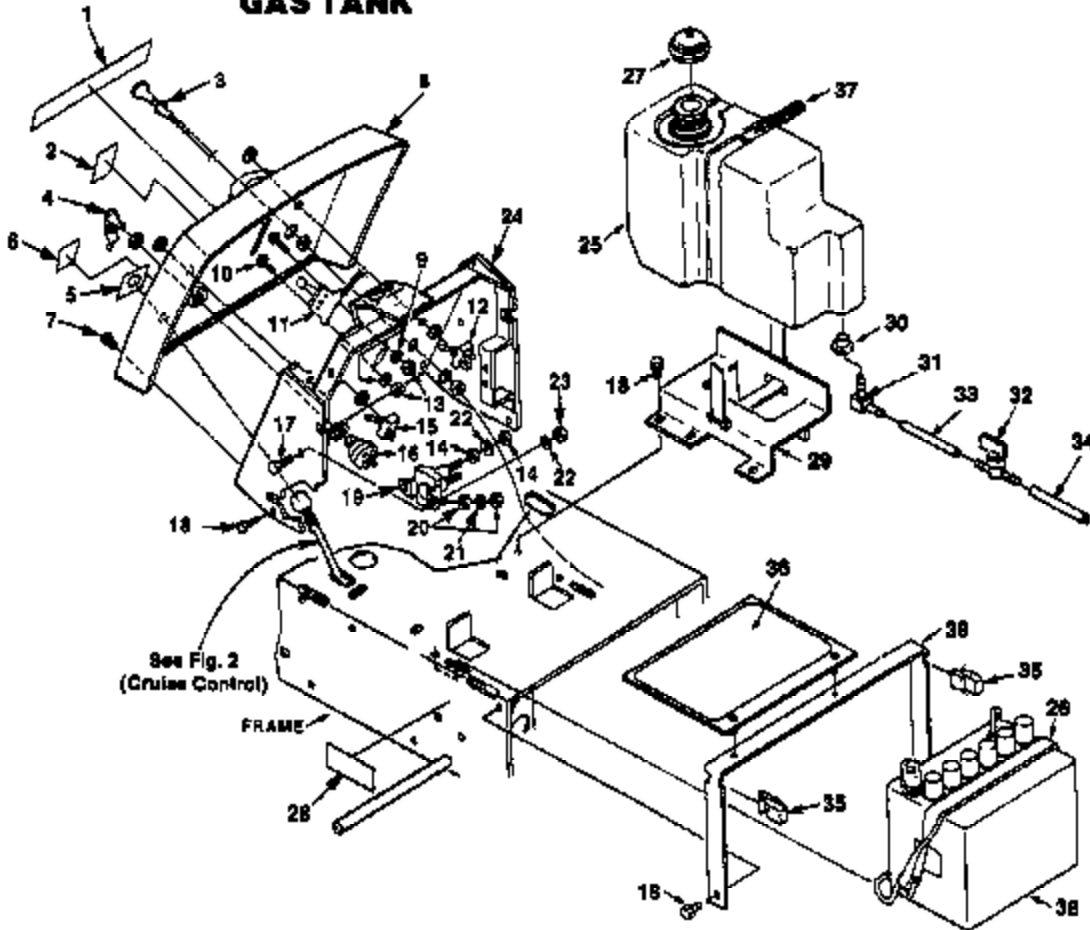
ALWAYS FURNISH MODEL AND SERIAL NUMBERS WHEN ORDERING PARTS.

PARTS LIST- FIGURE 3

NO.	PART NO.	QTY.	DESCRIPTION	NO.	PART NO.	QTY.	DESCRIPTION
1	JA-98034-8	1	WHEEL- Steering	31	JA-31382-0	8	SPACER- Axis
2	JA-48135-7	1	PIN- Roll	32	JA-46006-4	1	PIN- Cotter (1/4 x 1 1/2")
3	JA-99318-2	1	BELLOW- Steering	33	JA-44311-2	2	NUT- (3/8-24)
4	JA-99433-5	1	SHAFT- Steering Wheel	34	JA-40987-8	1	SCREW- (1/4-20 x 3/4")
5	JA-40010-4	2	SCREW- (1/4-20 x 1/2")	35	JA-46140-8	1	PIN
6	JA-37807-4	1	BEARING- Steerng Shaft	36	JA-37808-5	4	BUSHING- Spindle
7	JA-34813-3	1	BUSHING	37	JA-99433-9	1	AXLE- Front (incl #34)
8	JA-37887-0	1	WASHER- Front Hub	38	JA-47122-8	2	FITTING- Grease
9	JA-33982-9	1	PINION- Steering	39	JA-99251-6	1	SPINDLE- L.H.
10	JA-99258-1	2	WASHER	40	JA-31008-4	2	BEARING
11	JA-44311-0	2	NUT- Hex (3/8-16)	41	JA-40027-2	1	SCREW- (3/8-16 x 2 1/4")
12	JA-44813-0	2	WASHER- Lock (1/4-20)	42	JA-99445-6	1	BAR- Tie
13	JA-44310-2	2	NUT- Hex (1/4-20)	43	JA-99281-7	1	SPINDLE- R.H.
14	JA-46138-3	1	PIN- Roll	44	JA-37541-1	2	WASHER
15	JA-37810-8	1	SPACER- Steering	45	JA-37808-5	2	BOLT- Tie Bar Mtg
16	JA-99483-7	1	SUPPORT- Steering	46	JA-44814-2	2	WASHER- Lock (3/8")
17	JA-44382-8	1	NUT- (5/8-11)	47	JA-98034-5	1	CAP- Steering Wheel
18	JA-37812-1	1	SPACER- Steering Gr	48	JA-99434-2	1	ARM- Steering
19	JA-48650-8	1	BALL- .312 Dia	49	JA-44476-2	1	NUT- Centerlock (3/8-16)
20	JA-31155-5	2	BUSHING	50	JA-32079-0	1	KEY
21	JA-39259-9	1	GEAR- Steering	51	JA-37811-5	2	SPACER- Balljoint
22	JA-44311-8	1	NUT- (1/2-13)	52	JA-37808-4	2	JOINT- Ball
23	JA-44615-4	1	WASHER- Lock hvy (1/2")	53	JA-31880-2	2	CAP- Hub
24	JA-45301-7	1	WASHER- Flat (1/2")	54	JA-99225-2	1	SCREW- (3/8-16 x 1 1/2")
25	JA-40018-8	4	SCREW- Hex (5/16-18 x 7/8")	55	JA-31239-8	2	WASHER- Wheel retaining
26	JA-45300-9	8	WASHER- Flat (5/16")	56	JA-37808-2	1	TUBE- Drag link
27	JA-44813-6	4	WASHER- Lock (5/16")	57	JA-18196-4	2	RIM & TIRE ASSY
28	JA-44310-6	4	NUT- Hex (5/16-18)	58	JA-40026-8	3	SCREW- (3/8-16 x 1 3/4")
29	JA-37506-7	1	ROD	59	JA-37811-4	1	SPACER- Balljoint
30	JA-45302-2	5	WASHER- Flat (3/4")	60	JA-99433-8	2	PITMAN ARM
				61	JA-46004-0	2	PIN

ALWAYS FURNISH MODEL AND SERIAL NUMBERS WHEN ORDERING PARTS.

FIGURE 4 CONTROL PANEL, BATTERY AND GAS TANK



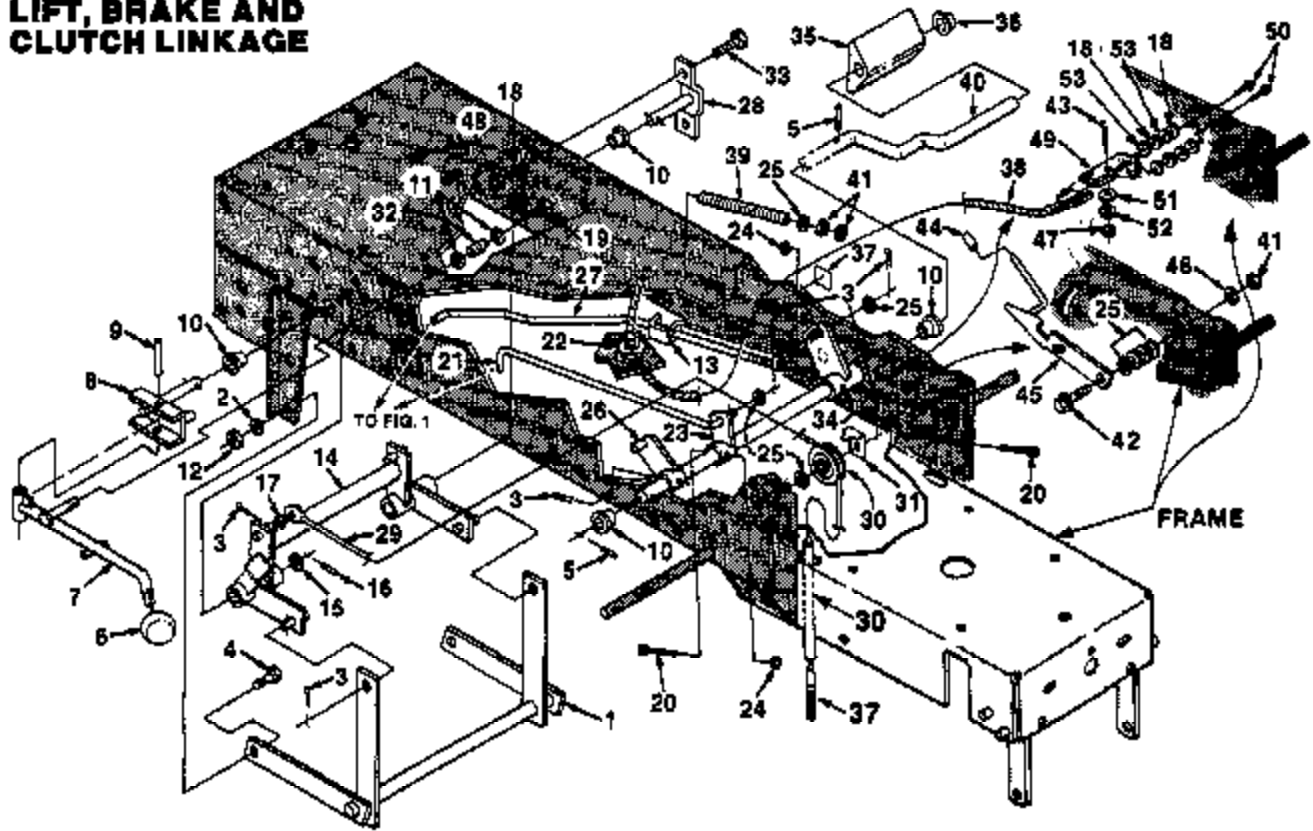
PARTS LIST- FIGURE 4

NO.	PART NO.	QTY.	DESCRIPTION	NO.	PART NO.	QTY.	DESCRIPTION
1	JA-99295-4	1	DECAL- Start-Stop	21	JA-44611-2	2	WASHER- Lock (#8)
2	JA-99222-3	1	DECAL- Throttle	22	JA-44613-0	4	WASHER- Lock (1/4-20)
3	JA-99446-2	1	CONTROL- Choke	23	JA-44310-2	2	NUT- Hex (1/4-20)
4	JA-34306-0	1	KEY- Ignition	24	JA-99434-4	1	CONTROL TOWER
5	JA-98315-5	1	DECAL- Cruise Control	25	JA-99498-2	1	TANK- Gas
6	JA-98295-3	1	DECAL- Warning	26	JA-15895-9	1	STRAP- Battery
7	JA-40903-6	4	SCREW- (#10 x 3/4")	27	JA-37601-1	1	CAP- Fuel
8	JA-99310-2	1	PANEL- Dash	28	JA-99235-4	1	DECAL- Warning
9	JA-45200-2	3	WASHER- Flat (1/4")	29	JA-33980-1	1	BRACKET- Support
10	JA-40390-8	11	SCREW- (#10-24 x 3/8")	30	JA-36111-7	1	BUSHING- Gas tank
11	JA-99217-7	1	CONTROL- Throttle	31	JA-88488-0	1	ELBOW FITTING
12	JA-99013-5	1	SWITCH- P T O	32	JA-88488-1	1	VALVE- Shut-off
13	JA-44478-2	3	NUT- Hex Lock (#10-24)	33	JA-98445-8	1	TUBING- Rubber (15")
14	JA-44380-2	4	NUT- Hex (1/4-20)	34	JA-99497-9	1	TUBING- Rubber (3/8)
15	JA-15899-2	1	SWITCH	35	JA-35249-6	1	CLIP
16	JA-99212-8	1	SWITCH- Key	36	JA-99147-0	1	DECAL- Battery
17	JA-40010-4	2	SCREW- (1/4-20 x 1/2")	37	JA-99098-0	1	STRAP- Gas tank
18	JA-37597-8	12	BOLT- Steering Support	38	JA-99220-2	1	BATTERY
19	JA-99558-0	1	SOLENOID	39	JA-33980-5	1	BRACKET- Side panel
20	JA-44430-5	4	NUT- Mech (#6-32)				

ALWAYS FURNISH MODEL AND SERIAL NUMBERS WHEN ORDERING PARTS.

FIGURE 5

LIFT, BRAKE AND CLUTCH LINKAGE



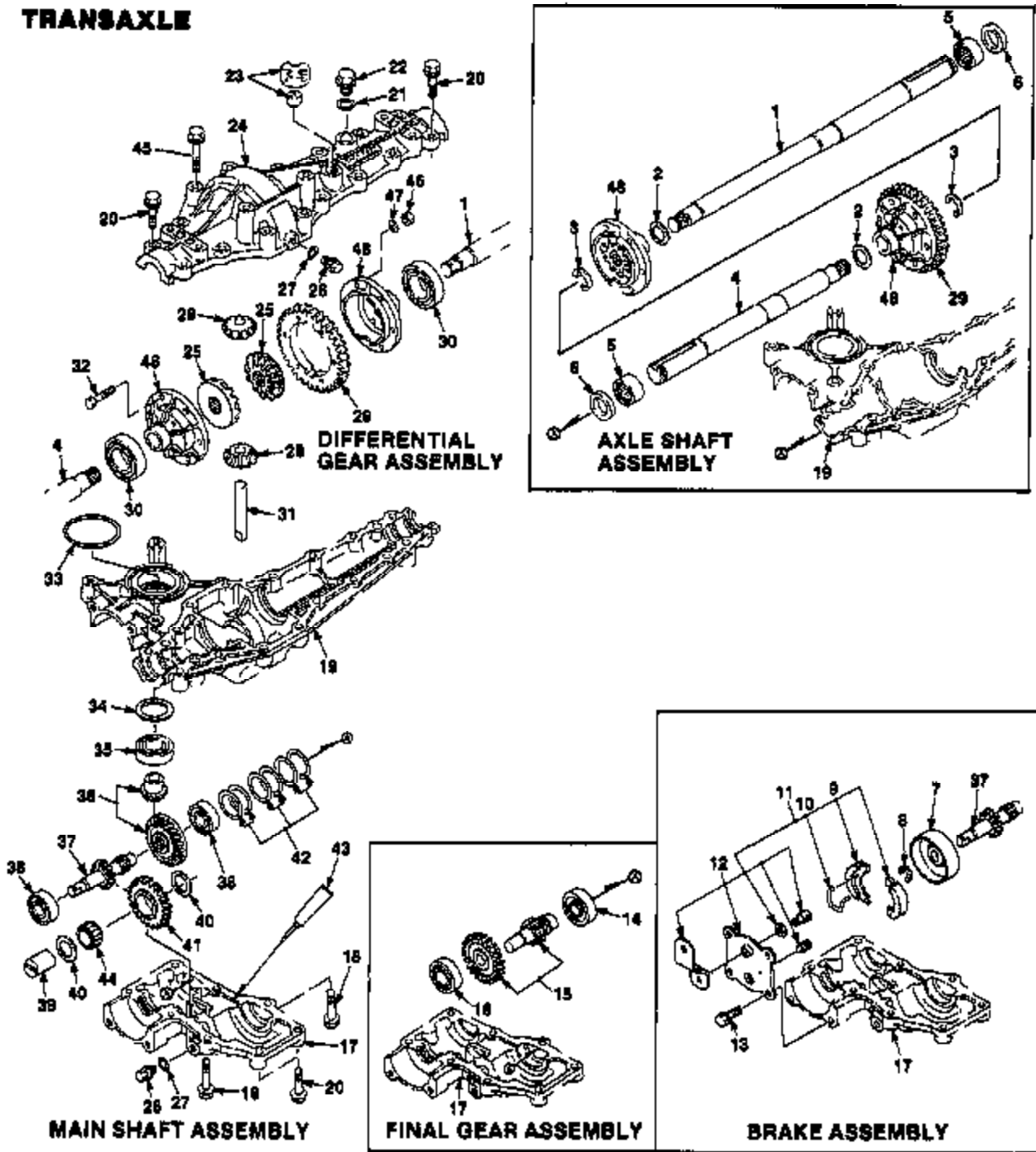
PARTS LIST- FIGURE 5

NO.	PART NO.	QTY.	DESCRIPTION	NO.	PART NO.	QTY.	DESCRIPTION
1	JA-99328-6	1	LIFT BAR ASSY.	29	JA-33960-0	2	CABLE- Lift
2	JA-44614-2	4	WASHER- Lock Hvy. (3/8")	30	JA-37807-3	2	PULLEY- Lift Cable
3	JA-48001-4	5	PIN- Cotter (3/32 x 3/4")	31	JA-37801-6	2	RETAINER- Cable
4	JA-37609-4	2	BOLT- Shoulder	32	JA-37909-2	1	SPRING- Compression
6	JA-46136-3	2	PIN- Roll (1/8 x 1")	33	JA-40010-6	6	SCREW- Hex hfd. cap (1/4-20 x 5/8")
6	JA-34349-7	1	KNOB- Shift Lever	34	JA-99324-3	1	BRAKE LEVER
7	JA-99433-4	1	HANDLE ASSY.	36	JA-34489-6	1	PEDAL- Clutch
8	JA-99328-1	1	HANDLE- Lift	36	JA-37581-0	1	NUT- Push
8	JA-48134-7	1	PIN- Groove	37	JA-88333-8	1	DECAL- Park Brake
10	JA-35158-7	4	BUSHING	38	JA-89156-0	1	SWITCH- Safety
11	JA-45200-6	3	WASHER- Flat (3/8")	39	JA-37610-2	1	SPRING- Comp. Brake
12	JA-44311-0	2	NUT- Hex (3/8 x 16)	40	JA-89324-1	1	ARM- Brake/Clutch
13	JA-99434-6	1	BRACKET- Brake Spring	41	JA-44310-6	4	NUT- (5/16-18)
14	JA-99329-6	1	REAR LIFT & BUSHING	42	JA-37543-1	1	BOLT- Shoulder (5/16-18)
16	JA-46302-0	2	WASHER- Flat (5/8")	43	JA-40277-8	2	SCREW- Blotted Truss Hd. (#4-40 x 1")
16	JA-46136-3	2	PIN- Roll	44	JA-36307-7	1	TIP
17	JA-45301-1	2	WASHER- Flat (3/8")	46	JA-99432-7	1	LATCH & LEVER
18	JA-44612-6	6	WASHER- Lock (1/4")	46	JA-44613-6	1	WASHER- Lock Hvy. (5/16")
19	JA-44471-8	1	NUT- Lock (5/16-16)	47	JA-44430-2	2	NUT- Hex (#4-40)
20	JA-43402-7	2	SCREW- Sockal	48	JA-44310-2	6	NUT- Hex (1/4-20)
21	JA-37609-6	1	ROD- Idler Act.	49	JA-37806-1	1	BRACKET
22	JA-37609-6	1	BUSHING Snap	50	JA-37667-8	2	SCREW- (1/4-14 x .44)
23	JA-99324-2	1	LEVER- Clutch	51	84011	2	WASHER- Flat (#4)
24	JA-44478-2	2	NUT- C'lock (#10-24)	52	JA-44610-2	2	WASHER- Lock (#4)
25	JA-45300-9	3	WASHER- Flat (5/16")	53	84020	2	WASHER- Flat (1/4")
26	JA-99433-1	1	ARM- Deactivating				
27	JA-99324-6	1	ROD- Brake				
28	JA-99329-2	1	FLANGE & ROD ASSY.				

ALWAYS FURNISH MODEL AND SERIAL NUMBERS WHEN ORDERING PARTS.

FIGURE 6

TRANSAXLE



ALWAYS FURNISH MODEL AND SERIAL NUMBERS WHEN ORDERING PARTS.

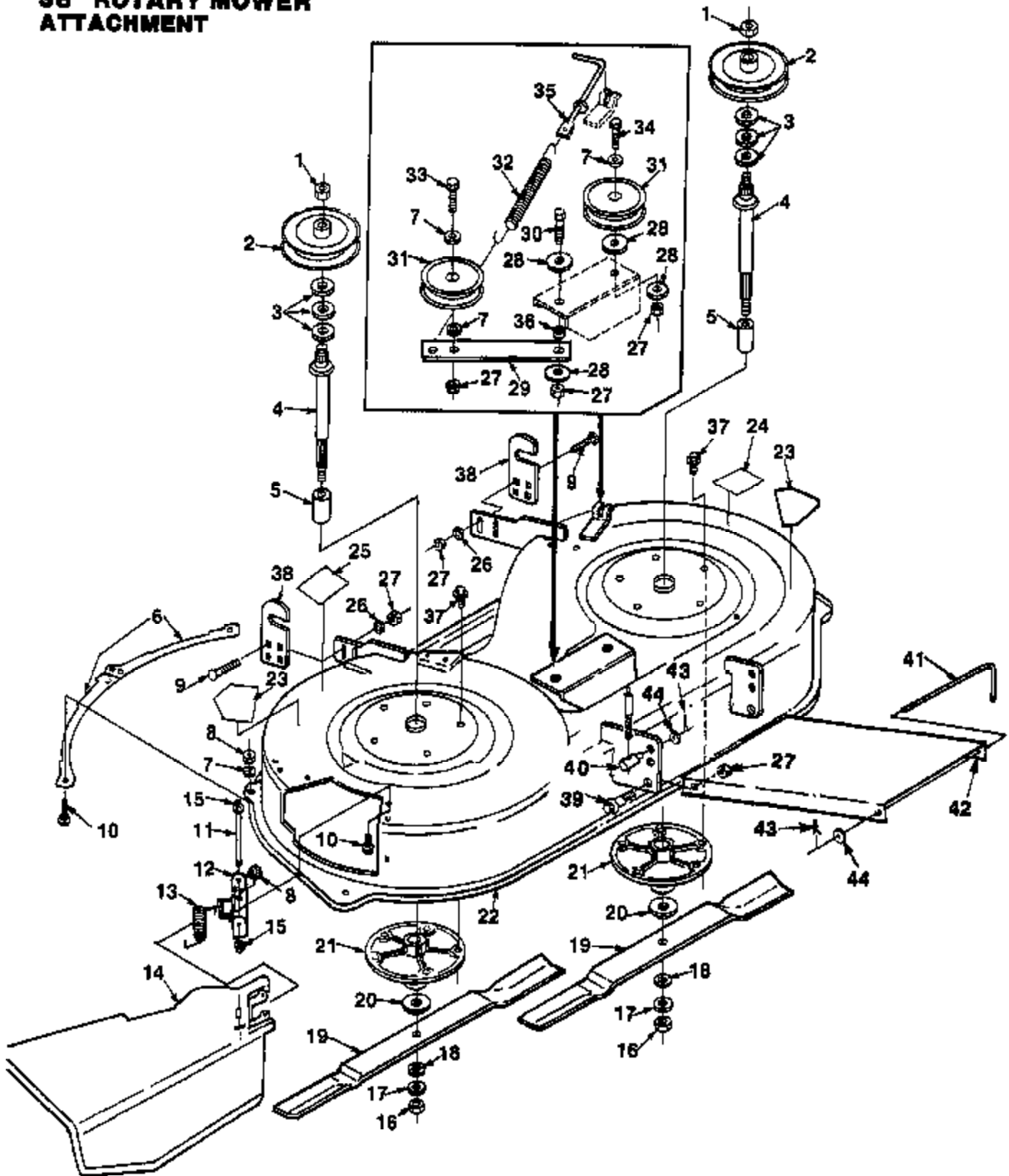
PARTS LIST- FIGURE 6

NO.	PART NO.	QTY.	DESCRIPTION	NO.	PART NO.	QTY.	DESCRIPTION
1	JA-99454-3	1	AXLE & SHAFT (R)	25	JA-99452-8	2	GEAR- Differential
2	JA-99454-3	2	WASHER- (20 x 29 5 x 2)	26	JA-99450-8	2	PLUG
3	JA-99454-7	2	RING- (f5)	27	JA-99450-8	2	PACKING
4	JA-99454-4	1	AXLE- Shaft	28	JA-99453-2	2	PINION- Differential
5	JA-99454-6	2	NEEDLE	29	JA-99453-8	1	GEAR- Final (43)
6	JA-99454-8	2	SEAL	30	JA-99453-5	2	BEARING- (8008)
7	JA-99454-9	1	DRUM- Brake	31	JA-99453-1	1	SHAFT- Diff Pinion
8	JA-99455-7	1	RING- (10)	32	JA-99453-6	6	BOLT- (8 x 30)
9	JA-99455-4	2	SHOE- Brake	33	JA-99451-4	1	PACKING- (G60)
10	JA-99455-6	1	SPRING	34	JA-99451-8	1	WASHER- (30 x 42 x 2)
11	JA-99455-8	1	BRAKE- Assy (CB-1)	35	JA-99452-7	1	BEARING- (5004)
12	JA-99455-6	1	BRAKE COVER ASSY	36	JA-99451-9	1	MOTOR GEAR ASSY
13	JA-99455-8	4	BOLT- (w/washer) (8 x 20)	37	JA-99452-1	1	MAIN SHAFT
14	JA-99454-1	1	BEARING (5203)	38	JA-99452-6	2	BEARING- (5202)
15	JA-99453-6	1	FINAL PINION ASSY	39	JA-99452-3	1	SHAFT- (idle)
16	JA-99454-2	1	BEARING- (6302)	40	JA-99452-5	2	WASHER- Thrust
17	JA-99450-6	1	CASE- Lower	41	JA-99452-4	1	GEAR- (24)
18	JA-99451-6	6	SCREW- Tapping (8 x 35)	42	JA-99452-2	1	SHIM- ASSY
19	JA-99450-2	1	MISSION CASE	43	JA-99450-1	1	SEALANT
20	JA-99451-5	14	SCREW- Tapping (8 x 30)	44	JA-99452-6	1	NEEDLE- (20 x 26 x 12)
21	JA-99450-9	1	PACKING- (P16)	45	JA-99451-7	4	SCREW- Tapping (8 x45)
22	JA-99450-7	1	PLUG- (14)	46	JA-99453-7	6	NUT
23	JA-99450-4	1	VENT VALVE ASSY	47	JA-99453-4	6	WASHER
24	JA-99450-3	1	UPPER CASE	48	JA-99453-3	2	CASE

ALWAYS FURNISH MODEL AND SERIAL NUMBERS WHEN ORDERING PARTS.

FIGURE 7

38" ROTARY MOWER ATTACHMENT



ALWAYS FURNISH MODEL AND SERIAL NUMBERS WHEN ORDERING PARTS.

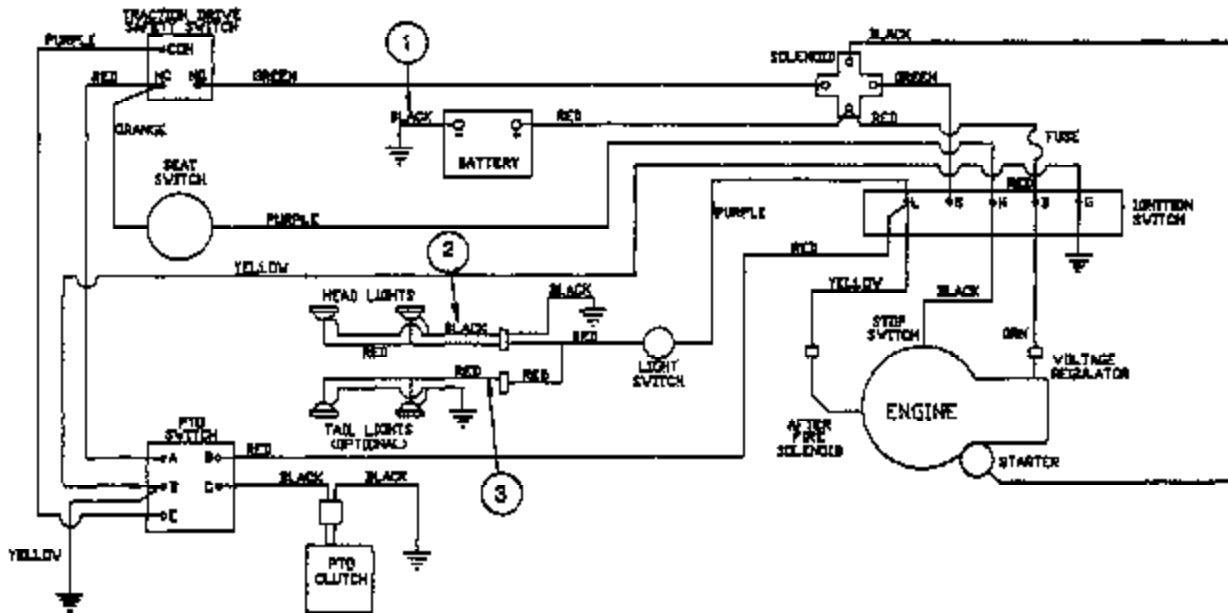
PARTS LIST- FIGURE 7

NO.	PART NO.	QTY.	DESCRIPTION	NO.	PART NO.	QTY.	DESCRIPTION
1	JA-99504-6	2	NUT- Center lock (9/16-18)	24	JA-33958-8	1	DECAL- No step
2	JA-99494-2	2	PULLEY- Cutter head	25	JA-99495-4	1	DECAL- Belt installation
3	JA-45504-9	8	WASHER- Flat	26	JA-31491-8	4	WASHER- Flat
4	JA-99493-1	2	SPINDLE- Cutter head	27	JA-44475-2	8	NUT- Hex lock (3/8-16)
5	JA-99493-4	2	SPACER- Spindle	28	JA-30845-7	4	WASHER- Blade mtg
6	JA-99000-7	2	PLATE- Air cut off	29	JA-99491-3	1	ARM- Idler
7	JA-45301-1	10	WASHER- Flat (3/8")	30	JA-40026-6	1	SCREW- Hex hd , cap (3/8-16 x 1 1/2")
8	JA-44577-6	6	NUT- Flange (5/16-18)	31	JA-99082-4	2	PULLEY- Idler
9	JA-44187-6	4	BOLT- Rd hd , sq neck (3/8-18 x 1 1/4")	32	JA-99497-4	1	SPRING- Extension
10	JA-44187-9	8	BOLT- Rd hd , sq neck	33	JA-40026-8	1	SCREW- Hex hd , cap (3/8-16 x 1 3/4")
11	JA-99493-0	1	ROD- Deflector	34	JA-40027-0	1	SCREW- Hex hd , cap (3/8-16 x 2")
12	JA-99000-6	1	BRACKET- Chute hinge	35	JA-37514-4	1	ROD- Spring release
13	JA-99493-2	1	SPRING- Tension	36	JA-35259-4	1	SPACER- Idler arm
14	JA-99493-9	1	CHUTE- Deflector Assy	37	JA-89508-1	10	SCREW- Hex washer hd
15	JA-99493-5	2	NUT- Pal, push (3/8")	38	JA-89251-4	2	BRACKET- Rear hanger
16	JA-99504-8	2	NUT- Hex (9/16-18)	39	JA-37809-4	2	BOLT- Shoulder
17	JA-99492-6	2	WASHER- Flat	40	JA-89175-9	2	PIN- Clevis
18	JA-99492-7	2	WASHER- Belleville	41	JA-89481-5	1	PIN- Link
19	JA-99497-8	2	BLADE	42	JA-99497-2	1	BRACKET- Link
20	JA-99493-3	2	BLADE- Adaptor	43	JA-48030-6	3	PIN- Hair cotter
21	JA-99494-1	2	HOUSING- Spindle	44	JA-45302-3	2	WASHER- Flat
22	JA-99494-5	1	DECK ASSEMBLY Includes				
23	JA-33946-0	2	DECAL- Danger				

ALWAYS FURNISH MODEL AND SERIAL NUMBERS WHEN ORDERING PARTS.

FIGURE 8

WIRING DIAGRAM



PARTS LIST- FIGURE 8

NO.	DESCRIPTION	PART NO.
	WIRING HARNESS (Main) (NOTE 1)	JA-98437-9
1	CABLE- Battery (-) Black	JA-37612-4
2	HARNESS- Headlights	JA-99089-0
3	HARNESS- Taillights	JA-99303-0

NOTE: Contains all wiring except #1, 2, and 3.

ALWAYS FURNISH MODEL AND SERIAL NUMBERS WHEN ORDERING PARTS.