

HOMELITE®

PARTS LIST

LAWN TRACTORS

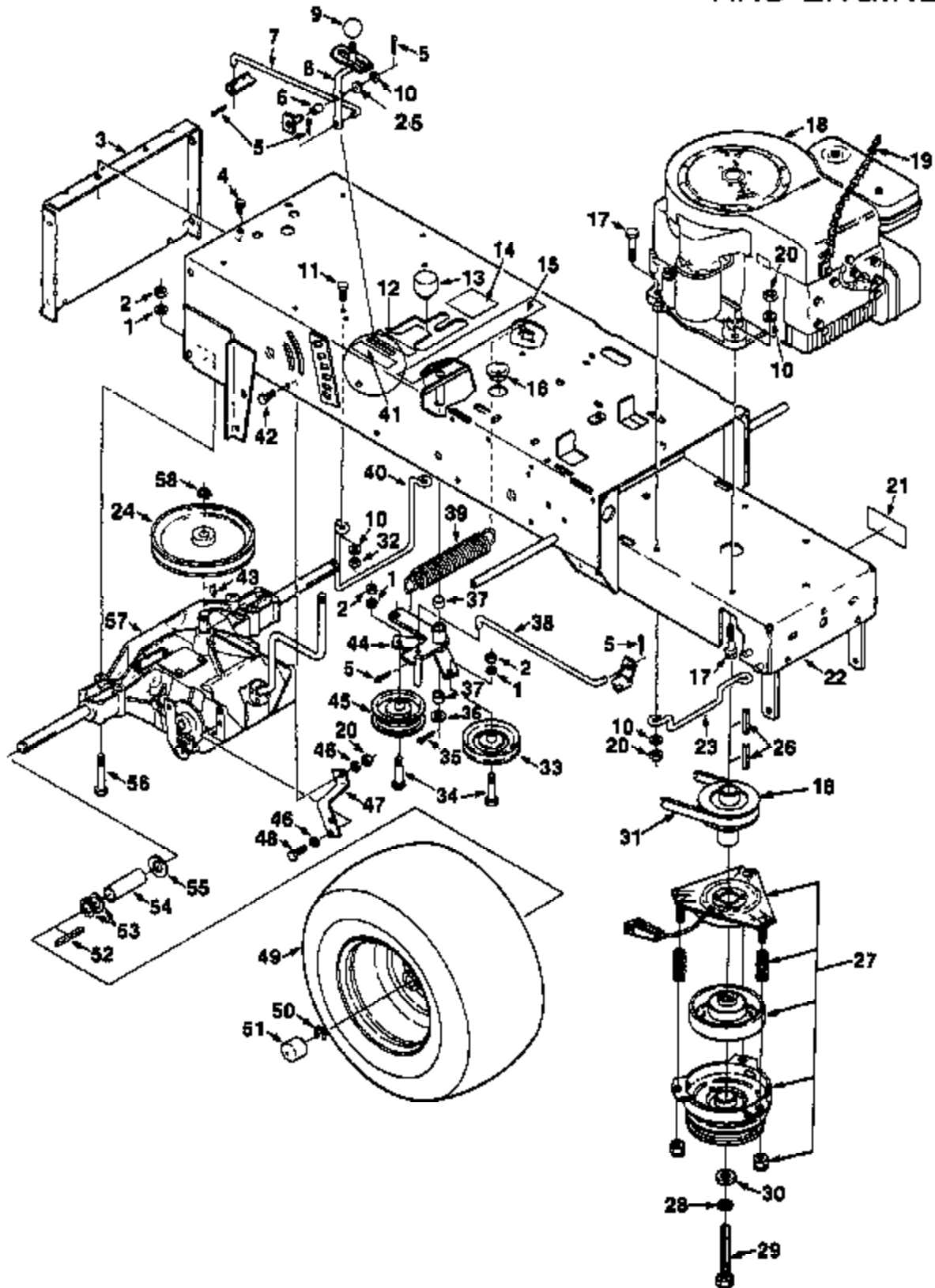
MODEL:
LT1238G
UT33021



PART NO. JA-9D485-1
Printed in U.S.A.
Price \$1.00

FIGURE 1

**FRAME TRANSAXLE
AND ENGINE**



PARTS LIST

FIGURE 1

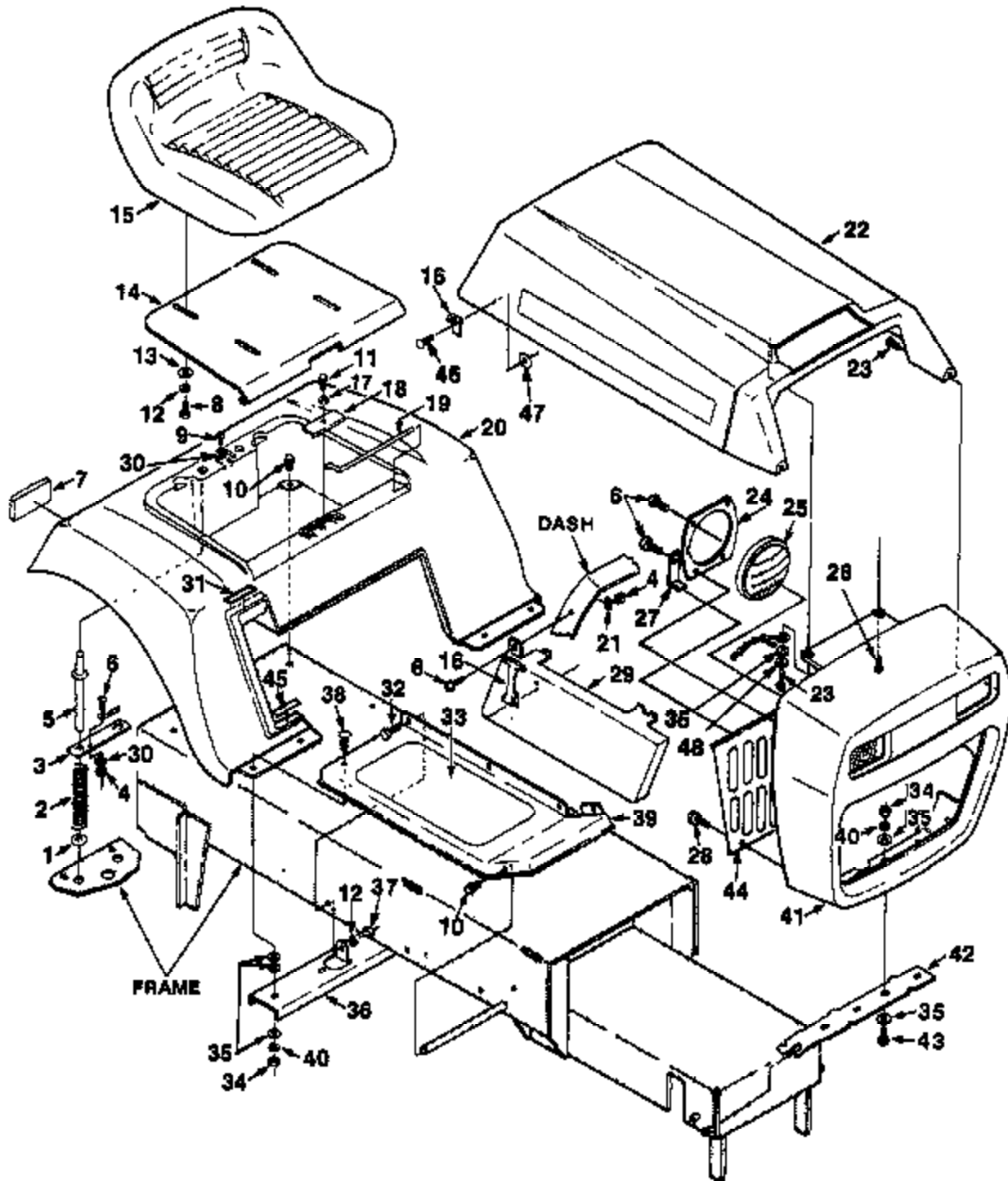
| REF. NO. | PART NO. | DESCRIPTION | QTY. |
|----------|------------|---------------------------------------|------|
| 1 | JA-44814-2 | WASHER- Lock (3/8") | 8 |
| 2 | JA-44311-0 | NUT- Hex (3/8-16) | 6 |
| 3 | JA-89489-6 | BRACKET- Hitch | 1 |
| 4 | JA-40886-6 | BOLT- (1/4-20 x 9/16") | 2 |
| 5 | JA-46001-4 | PIN- Cotter (3/32 x 3/4") | 4 |
| 6 | JA-37607-7 | SPACER- Lever | 1 |
| 7 | JA-33981-1 | ROD- Hi-lo sect. | 1 |
| 8 | JA-33969-3 | LEVER- Hi-lo | 1 |
| 9 | JA-81520-9 | KNOB | 1 |
| 10 | JA-45900-9 | WASHER- Flat (8/16") | A/R |
| 11 | JA-40016-6 | SCREW- Hex hd. cap (5/16-18 x 7/8") | 2 |
| 12 | JA-99059-0 | DECAL- Second & Reverse | 1 |
| 13 | JA-37607-8 | KNOB- Shift lever | 1 |
| 14 | JA-99080-0 | DECAL- First & Third | 1 |
| 15 | JA-99028-0 | DECAL- Warning | 1 |
| 16 | JA-37606-6 | BUSHING- Snap | 1 |
| 17 | JA-40016-4 | SCREW- Hex hd. cap (5/16-18 x 1 3/4") | 4 |
| 18 | JA-99107-1 | PULLEY- Drive | 1 |
| 19 | JA-99499-0 | CHAIN- Restraining | 1 |
| 20 | JA-44310-8 | NUT- (5/16-16) | 5 |
| 21 | JA-99235-4 | DECAL- Warning | 1 |
| 22 | JA-11779-0 | FRAME ASSY. | 1 |
| 3 | JA-37608-8 | GUIDE- Front belt | 1 |
| 4 | JA-39259-3 | PULLEY- Drive | 1 |
| 25 | JA-45401-2 | WASHER- Shakesproof | 1 |
| 26 | JA-30626-8 | KEY | 2 |
| 27 | JA-99097-7 | BRAKE- Electric clutch | 1 |
| 28 | JA-44814-8 | WASHER- Lock hvy. (7/16") | 1 |
| 29 | JA-40036-8 | SCREW- Hex hd. cap (7/16-20 x 3") | 1 |
| 30 | JA-99012-6 | CLUTCH- Retainer | 1 |
| 31 | JA-39258-4 | BELT- Traction drive | 1 |

| REF. NO. | PART NO. | DESCRIPTION | QTY. |
|----------|------------|-------------------------------------|------|
| 32 | JA-44471-8 | NUT- Hex centerlock (5/16-16) | 4 |
| 33 | JA-33983-0 | IDLER- Inside | 1 |
| 34 | JA-40028-8 | SCREW- Hex hd cap (3/8-16 x 1 3/4") | 2 |
| 35 | JA-49004-8 | PIN- Cotter (3/16 x 1") | 1 |
| 36 | JA-45301-7 | WASHER- Flat (17/32") | 1 |
| 37 | JA-32813-3 | BUSHING | 2 |
| 38 | JA-37609-8 | ROD- Idler actuator | 1 |
| 39 | JA-37608-8 | SPRING- Extension | 1 |
| 40 | JA-37603-7 | GUIDE- Rear belt | 1 |
| 41 | JA-99058-0 | DECAL- Hi-Lo | 1 |
| 42 | JA-40016-2 | SCREW- Hex hd. cap (5/16-18 x 5/8") | 1 |
| 43 | JA-46301-7 | KEY- (3/16 x 3/4") | 1 |
| 44 | JA-99433-8 | CLUTCH BEARING ASSY. | 1 |
| 45 | JA-33622-2 | IDLER- Backside | 1 |
| 46 | JA-44813-6 | WASHER- Lock hvy. (5/16") | 2 |
| 47 | JA-37601-7 | BRACKET | 1 |
| 48 | JA-40681-2 | SCREW- (5/16-18 x 3/4") | 2 |
| 49 | JA-18199-3 | REAR WHEEL ASSY. | 2 |
| 50 | JA-45841-8 | RING- Retaining | 2 |
| 51 | JA-37609-0 | HUB CAP- Rear wheel | 2 |
| 52 | JA-31081-1 | KEY- (3/16 x 3/16 x 2 1/2") | 2 |
| 53 | JA-31389-0 | SPACER | A/R |
| 54 | JA-37607-9 | SPACER- Rear wheel | 2 |
| 55 | JA-45302-2 | WASHER- Flat (13/16") | 2 |
| 56 | JA-40028-8 | SCREW- Hex (3/8-16 x 2 3/4") | 4 |
| 57 | JA-99301-5 | TRANSAXLE- 6 Speed | 1 |
| 58 | JA-45600-8 | RING- Retaining | 1 |
| * | | ENGINE- 12 HP (See Note 1) | 1 |

NOTE 1: When ordering engine parts, see your local Briggs & Stratton dealer.

FIGURE 2

COWLINGS, REAR FENDER AND SEAT ASSEMBLY



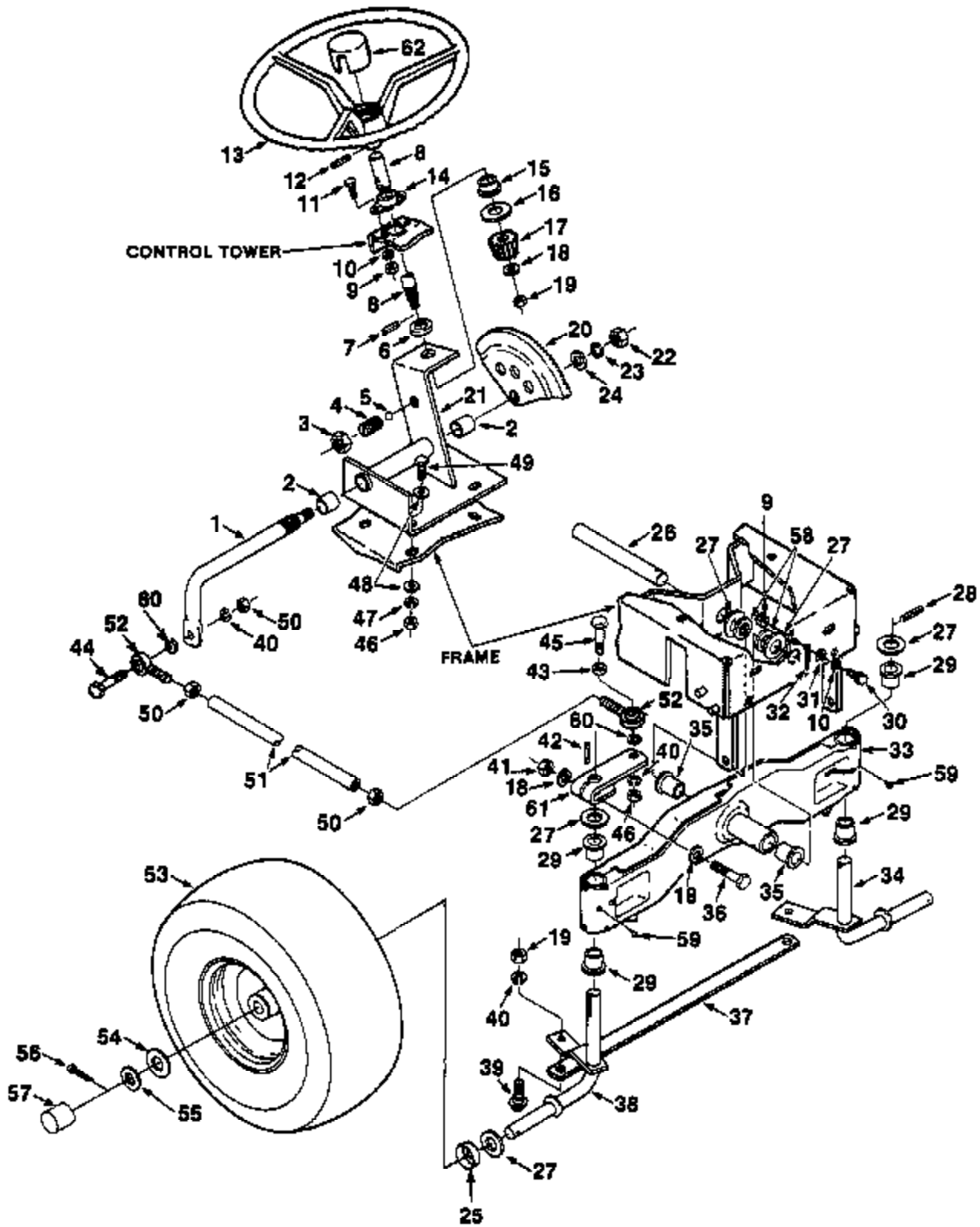
PARTS LIST

FIGURE 2

| REF. NO. | PART NO. | DESCRIPTION | QTY. | REF. NO. | PART NO. | DESCRIPTION | QTY. |
|----------|------------|---------------------------------|------|----------|------------|---|------|
| 1 | JA-37812-2 | WASHER- Insulation | 2 | 27 | JA-89447-0 | CLIP | 2 |
| 2 | JA-37811-8 | SPRING- Compression | 2 | 28 | JA-40840-5 | SCREW- (1/4-14 x 1/2") | 2 |
| 3 | JA-37811-6 | CONTACT- Interlock | 1 | 29 | JA-89334-3 | PANEL- Side R.H. (Incl. #6, 46 & 47) | 1 |
| 4 | JA-44431-0 | NUT- Hex (10-24) | 5 | | JA-99334-5 | PANEL- Side L.H. | 1 |
| 5 | JA-37811-7 | PIN- Seat Support | 2 | 30 | JA-44611-8 | WASHER- Lock (#10) | 2 |
| 6 | JA-40390-8 | SCREW- (10-24 x 3/8") | 10 | 31 | JA-88101-4 | DECAL- HI-Lift Pos. | 1 |
| 7 | JA-33575-7 | REFLECTOR- Tail light | 2 | 32 | JA-40018-8 | BOLT- Hex (5/16-18 x 1") | 2 |
| 8 | JA-40018-2 | SCREW- Hex hd. (5/16-18 x 5/8") | 4 | 33 | JA-33861-2 | PAD- Footboard | 2 |
| 9 | JA-40925-4 | SCREW- (#10 x 1/2") | 4 | 34 | JA-44310-2 | NUT- Hex (1/4-20) | 4 |
| 10 | JA-37597-8 | BOLT- (1/4-14 x .44) | 4 | 35 | JA-46302-3 | WASHER- Plain (1/4") | 18 |
| 11 | JA-40010-8 | SCREW- Cap (1/4-20 x 3/4") | 5 | 36 | JA-33982-7 | BRACKET- Footboard | 1 |
| 12 | JA-44613-6 | WASHER- Lock (5/16") | 6 | 37 | JA-44310-8 | NUT- Hex (5/16-18) | 2 |
| 13 | JA-45300-8 | WASHER- (5/16") | 4 | 38 | JA-44160-4 | BOLT- (1/4-20 x 1") | 4 |
| 14 | JA-89492-5 | PAN- Seat | 1 | 39 | JA-89492-1 | FOOTBOARD, R.H. (Includes Item #33) | 1 |
| 15 | JA-89488-7 | SEAT | 1 | | JA-89492-2 | FOOTBOARD L.H. (Includes Item #33) | 1 |
| 16 | JA-89028-0 | LATCH | 2 | 40 | JA-44812-8 | WASHER- Lock (1/4") | 5 |
| 7 | JA-44613-0 | WASHER- Lock (1/4") | 1 | 41 | JA-89482-4 | COWLING | 1 |
| 18 | JA-37812-0 | BRACKET- Hitch | 1 | 42 | JA-38250-0 | HINGE- Grille | 1 |
| 19 | JA-37811-9 | ROD- Hinge | 2 | 43 | JA-40011-0 | SCREW- (1/4-20 x 7/8") | 1 |
| 20 | JA-89492-3 | FENDER | 1 | 44 | JA-98039-7 | GRILLE SCREEN | 1 |
| 21 | JA-45300-2 | WASHER | 2 | 45 | JA-98101-7 | DECAL- Lo-Lift Pos. | 1 |
| 22 | JA-99483-5 | HOOD | 1 | 46 | JA-46484-2 | RIVET- Plain | 4 |
| 23 | JA-40840-8 | SCREW- (1/4 x 14 x 1") | 5 | 47 | JA-45700-6 | WASHER- Flat | 6 |
| 24 | JA-33982-8 | RETAINER- Light | 2 | 48 | JA-44812-8 | WASHER- Lock (1/4") | 1 |
| 25 | JA-37608-1 | LIGHT- Head | 2 | | | | |
| 26 | JA-40840-4 | SCREW- Tap hex (1/4-14 x 3/4") | 2 | | | | |

FIGURE 3

STEERING LINKAGE



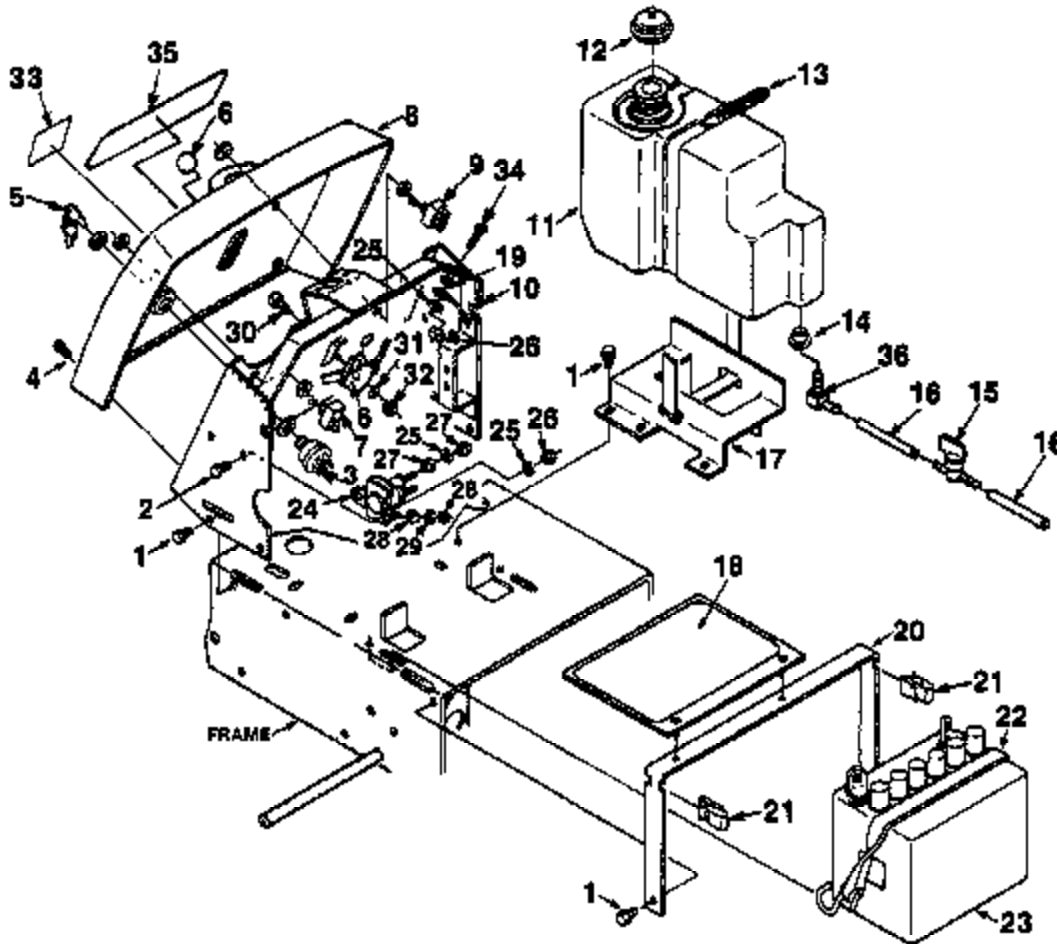
PARTS LIST

FIGURE 3

| REF. NO. | PART NO. | DESCRIPTION | QTY. | REF. NO. | PART NO. | DESCRIPTION | QTY. |
|----------|------------|----------------------------|------|----------|------------|--------------------------------|------|
| 1 | JA-99433-6 | ARM- Pitman | 1 | 33 | JA-99433-6 | FRONT AXLE ASSY | 1 |
| 2 | JA-31155-5 | BUSHING | 2 | 34 | JA-99003-7 | SPINDLE | 1 |
| 3 | JA-44382-8 | NUT- (5/8") | 1 | 36 | JA-31008-4 | BEARING | 2 |
| 4 | JA-37812-1 | SPACER- Bearing | 1 | 38 | JA-40027-2 | SCREW- Hex (3/8-16 x 2 1/4") | 1 |
| 5 | JA-46500-6 | BALL- (312 dia.) | 1 | 37 | JA-37805-8 | BAR- Tie | 1 |
| 8 | JA-37810-8 | SPACER- Steering | 1 | 38 | JA-99261-7 | SPINDLE- R H | 1 |
| 7 | JA-48138-3 | PIN- Roll (3/16 x 1") | 1 | 38 | JA-37805-5 | BOLT- Tie bar mounting | 2 |
| 8 | JA-99433-5 | SHAFT- Steering wheel | 1 | 40 | JA-44814-2 | WASHER- Lock (3/8") | 6 |
| 9 | JA-44310-2 | NUT- Hex (1/4-20) | 3 | 41 | JA-44476-2 | NUT- Centerlock (3/8-16) | 1 |
| 10 | JA-44813-0 | WASHER- Lock (1/4") | 2 | 42 | JA-32079-0 | KEY- (3/16 x 1 1/2") | 1 |
| 11 | JA-40010-4 | SCREW- Hex (1/4-20 x 1/2") | 2 | 43 | JA-37811-4 | SPACER- Ball joint | 1 |
| 12 | JA-48138-7 | PIN- Roll (1/4 x 1") | 1 | 44 | JA-99225-2 | SCREW- (3/8-16 x 1 1/2") | 1 |
| 13 | JA-99034-8 | WHEEL- Steering | 1 | 45 | JA-40028-8 | SCREW- Hex (3/8 x 16 x 1 3/4") | 1 |
| 14 | JA-37807-4 | BEARING- Steering shaft | 1 | 46 | JA-44310-8 | NUT- Hex (5/16-18) | 4 |
| 15 | JA-24613-3 | BUSHING | 1 | 47 | JA-44813-8 | WASHER- Lock (5/16") | 3 |
| 16 | JA-37597-0 | WASHER | 1 | 48 | JA-45300-8 | WASHER- (5/16") | 6 |
| 17 | JA-33962-9 | PINION- Steering | 1 | 49 | JA-40018-8 | SCREW- Hex (5/16-18 x 7/8") | 3 |
| 18 | JA-99258-1 | WASHER | 3 | 50 | JA-44311-2 | NUT- Hex (3/8-24) | 3 |
| 19 | JA-44311-0 | NUT- Hex (3/8-18) | 3 | 51 | JA-37808-2 | TUBE | 1 |
| 20 | JA-39259-9 | GEAR- Steering | 1 | 52 | JA-37808-0 | BALL JOINT | 1 |
| 21 | JA-99433-7 | SUPPORT- Steering | 1 | 53 | JA-18196-4 | RIM & TIRE ASSY | 2 |
| 22 | JA-44311-8 | NUT- Hex (1/2-13) | 1 | 54 | JA-37597-0 | WASHER | 1 |
| 23 | JA-44816-4 | WASHER- Lock (1/2") | 1 | 55 | JA-31299-8 | WASHER- HT | 2 |
| 24 | JA-46301-7 | WASHER- Flat (1/2") | 1 | 56 | JA-48004-0 | PIN- Cotter (5/32 x 1 1/4") | 2 |
| 25 | JA-37541-1 | WASHER- Dust | 2 | 57 | JA-31880-2 | DAP | 2 |
| 26 | JA-37806-7 | ROD | 1 | 58 | JA-31382-0 | SPACER | 6 |
| 27 | JA-46802-2 | WASHER- Flat (3/4") | 6 | 58 | JA-47122-5 | FITTING- Grease | 2 |
| 28 | JA-48140-8 | PIN- Roll (1/4 x 1 1/2") | 1 | 60 | JA-37811-6 | SPACER- Ball joint | 2 |
| 29 | JA-37806-5 | BUSHING- Spndle | 4 | 61 | JA-99434-2 | ARM- Steering | 1 |
| 30 | JA-40011-0 | SCREW- (1/4-20 x 7/8") | 1 | 62 | JA-99034-6 | CAP- Steering wheel | 1 |
| 31 | JA-45302-3 | WASHER- Plain (1/4") | 1 | 63 | JA-37541-1 | WASHER- Dust | 2 |
| 32 | JA-46005-4 | PIN- Cotter | 1 | | | | |

FIGURE 4

CONTROL PANEL, BATTERY AND GAS TANK



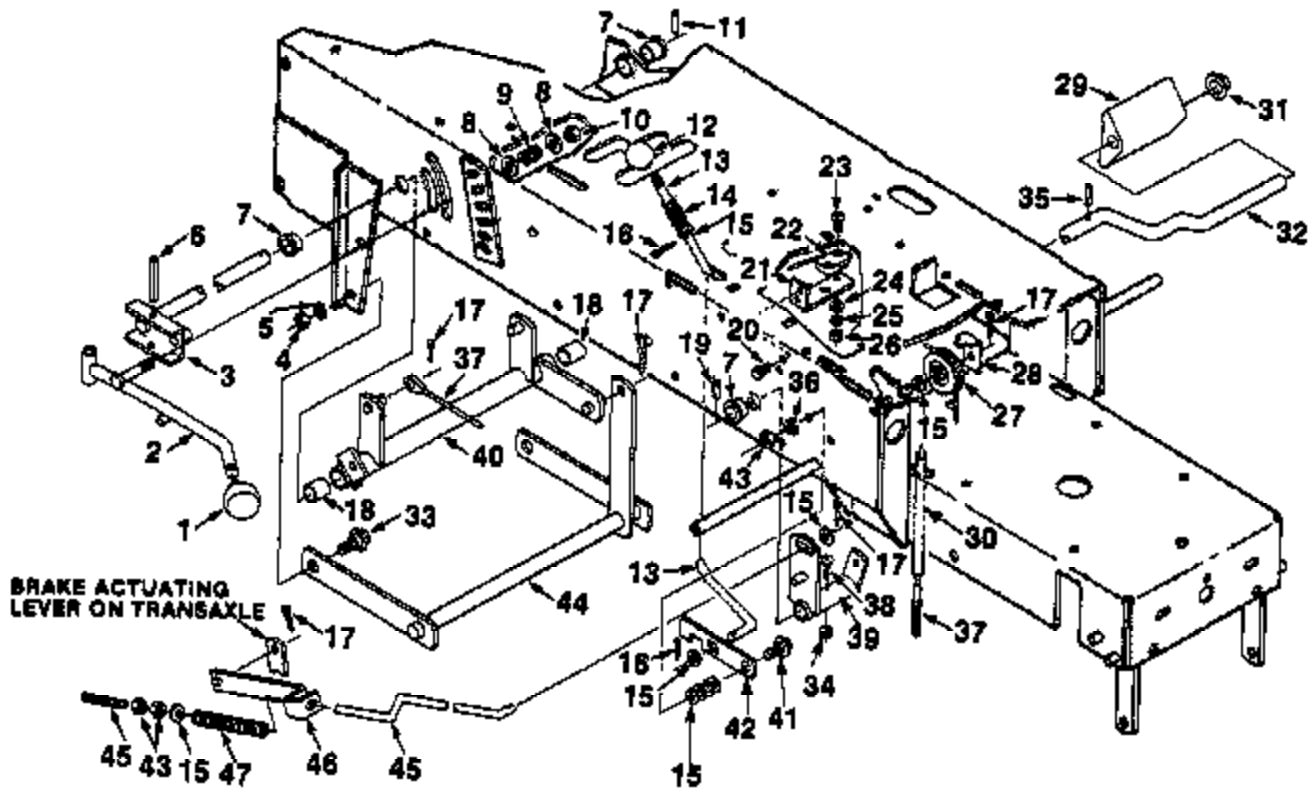
PARTS LIST

FIGURE 4

| REF. NO. | PART NO. | DESCRIPTION | QTY. | REF. NO. | PART NO. | DESCRIPTION | QTY. |
|----------|------------|-------------------------------|------|----------|------------|-----------------------------|------|
| 1 | JA-37597-8 | BOLT- (1/4-14 x 44) | 10 | 20 | JA-33860-8 | BRACKET | 1 |
| 2 | JA-40010-4 | SCREW- Hex (1/4-20 x 1/2") | 2 | 21 | JA-25249-8 | CLIP | 2 |
| 3 | JA-13041-2 | SWITCH- Key | 1 | 22 | JA-15895-8 | STRAP- Hold down | 1 |
| 4 | JA-40603-6 | SCREW- (#10 x 3/4") | 4 | 23 | JA-37608-0 | BATTERY | 1 |
| 5 | JA-34305-0 | KEY | 2 | 24 | JA-99559-0 | SOLENOID | 1 |
| 6 | JA-99224-1 | CONTROL- Throttle | 1 | 25 | JA-44613-0 | WASHER- Lock (1/4") | 4 |
| 7 | JA-15899-2 | SWITCH- Headlight | 1 | 26 | JA-44310-2 | NUT- Hex (1/4-20) | 4 |
| 8 | JA-99310-2 | PANEL- Dash | 1 | 27 | JA-44390-2 | NUT- (1/4-20) | 2 |
| 9 | JA-89013-5 | SWITCH- PTO | 1 | 28 | JA-44430-6 | NUT- Hex (8-32) | 2 |
| 10 | JA-89434-4 | CONTROL TOWER ASSY | 1 | 29 | JA-44611-2 | WASHER- Lock (#8) | 1 |
| 11 | JA-89486-2 | TANK- Gas | 1 | 30 | JA-40391-0 | SCREW- (10-24 x 1/2") | 2 |
| 12 | JA-37801-1 | CAP- Fuel | 1 | 31 | JA-46200-2 | WASHER- Plain (1/4") | 2 |
| 13 | JA-99098-0 | STRAP- Gas tank | 1 | 32 | JA-44478-2 | NUT- Hex Centerlock (10-24) | 2 |
| 14 | JA-36111-7 | BUSHING | 1 | 33 | JA-89222-4 | DECAL- Throttle | 1 |
| 15 | JA-89498-1 | VALVE- Shut off | 1 | 34 | JA-40011-0 | BOLT- (1/4-20 x 7/8") | 1 |
| 16 | JA-89497-9 | TUBING- Rubber (fuel line) | 2 | 35 | JA-89304-9 | DECAL- Instruction | 1 |
| 17 | JA-33860-1 | SUPPORT | 1 | | JA-47316-5 | SECURE TIES | A/R |
| 18 | JA-89147-0 | DECAL- Battery | 1 | 36 | JA-89498-0 | ELBOW | 1 |
| 19 | JA-44701-2 | WASHER- External tooth (1/4") | 1 | | | | |

LIFT, BRAKE AND CLUTCH LINKAGE

FIGURE 5



PARTS LIST

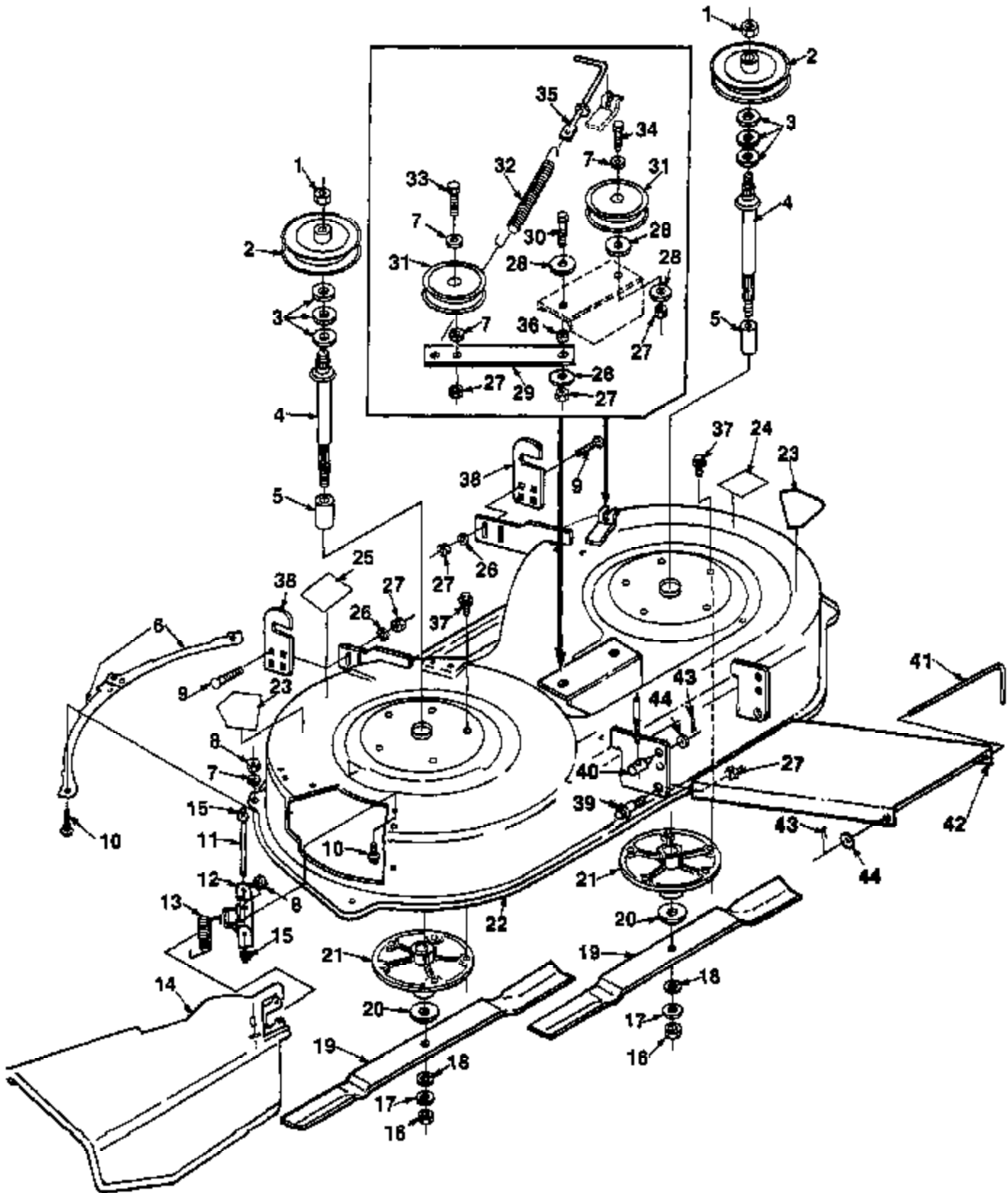
FIGURE 5

| REF. NO. | PART NO. | DESCRIPTION | QTY. |
|----------|------------|--|------|
| 1 | JA-34348-7 | KNOB- Implement lift handle | 1 |
| 2 | JA-99438-4 | HANDLE- Lift | 1 |
| 3 | JA-18196-2 | LIFT HANDLE BRACKET & ROD ASSY | 1 |
| 4 | JA-44311-0 | NUT- Hex (3/8-16) | 2 |
| 5 | JA-44614-2 | WASHER- Lock hvy (3/8") | 2 |
| 6 | JA-46134-7 | PIN- Groove (5/16 x 2 1/4") | 1 |
| 7 | JA-35158-7 | BUSHING- Flange | 4 |
| 8 | JA-45200-6 | WASHER- Flat (3/8") | 2 |
| 9 | JA-37809-2 | SPRING- Compression | 1 |
| 10 | JA-44471-8 | NUT- Hex centerlock (5/16-18) | 1 |
| 11 | JA-46138-3 | Pin- Spring (3/16 x 1") | 1 |
| 12 | JA-31320-9 | KNOB- Parking brake | 1 |
| 13 | JA-37608-6 | ROD- Brake lock | 1 |
| 14 | JA-31534-4 | SPRING- Compression | 1 |
| 16 | JA-46300-8 | WASHER- Flat (5/16") | 8 |
| 16 | JA-46002-6 | PIN- Cotter (1/8 x 3/4") | 2 |
| 17 | JA-46001-4 | PIN- Cotter (3/32 x 3/4") | 7 |
| 18 | JA-30690-2 | BUSHING- Pivot | 2 |
| 19 | JA-46138-3 | PIN- Roll (3/16 x 1") | 2 |
| 20 | JA-37597-8 | BOLT- (1/4-14 x 44) | 2 |
| 21 | JA-37806-1 | BRACKET- Safety switch | 1 |
| 22 | JA-99156-0 | SWITCH- Safety (traction clutch) | 1 |
| 23 | JA-40277-6 | SCREW- Slotted truss head (#4-40 x 1 00) | 2 |
| 24 | JA-45505-7 | WASHER- Flat (#4) | 2 |

| REF. NO. | PART NO. | DESCRIPTION | QTY. |
|----------|------------|----------------------------|------|
| 25 | JA-44810-2 | WASHER- Lock Reg (#4) | 2 |
| 26 | JA-44430-2 | NUT- Hex (#4-40) | 2 |
| 27 | JA-37607-3 | PULLEY- Lift cable | 2 |
| 28 | JA-37601-5 | RETAINER- Lift cable | 2 |
| 28 | JA-34488-5 | PEDAL- Clutch | 1 |
| 30 | JA-99265-4 | TUBE- Cable cover | 2 |
| 31 | JA-37581-0 | NUT- Push on (5/8") | 1 |
| 32 | JA-33961-8 | ROD- Clutch | 1 |
| 33 | JA-37609-4 | BOLT- Shoulder | 4 |
| 34 | JA-44478-2 | NUT- Ctr lock (#10-24) | 1 |
| 35 | JA-48138-3 | PIN- Roll | 1 |
| 36 | JA-44813-6 | WASHER- Lock hvy. (5/16") | 1 |
| 37 | JA-33980-0 | CABLE- Deck lift | 2 |
| 38 | JA-43402-7 | SCREW- (10-24 x 1 3/4") | 1 |
| 39 | JA-14220-0 | CLUTCH ROD ACTUATOR ASSY | 1 |
| 40 | JA-18196-5 | REAR LIFT & BUSHING ASSY | 1 |
| 41 | JA-37543-1 | BOLT- idler pivot | 1 |
| 42 | JA-99256-7 | LATCH- Parking brake | 1 |
| 43 | JA-44310-6 | NUT- Hex (5/16-18) | 3 |
| 44 | JA-14218-6 | REAR LIFT BAR ASSY | 1 |
| 45 | JA-37809-9 | ROD- Brake | 1 |
| 46 | JA-99434-8 | BRAKE SPRING BRACKET ASSY. | 1 |
| 47 | JA-37610-2 | SPRING- Brake compression | 1 |

FIGURE 6

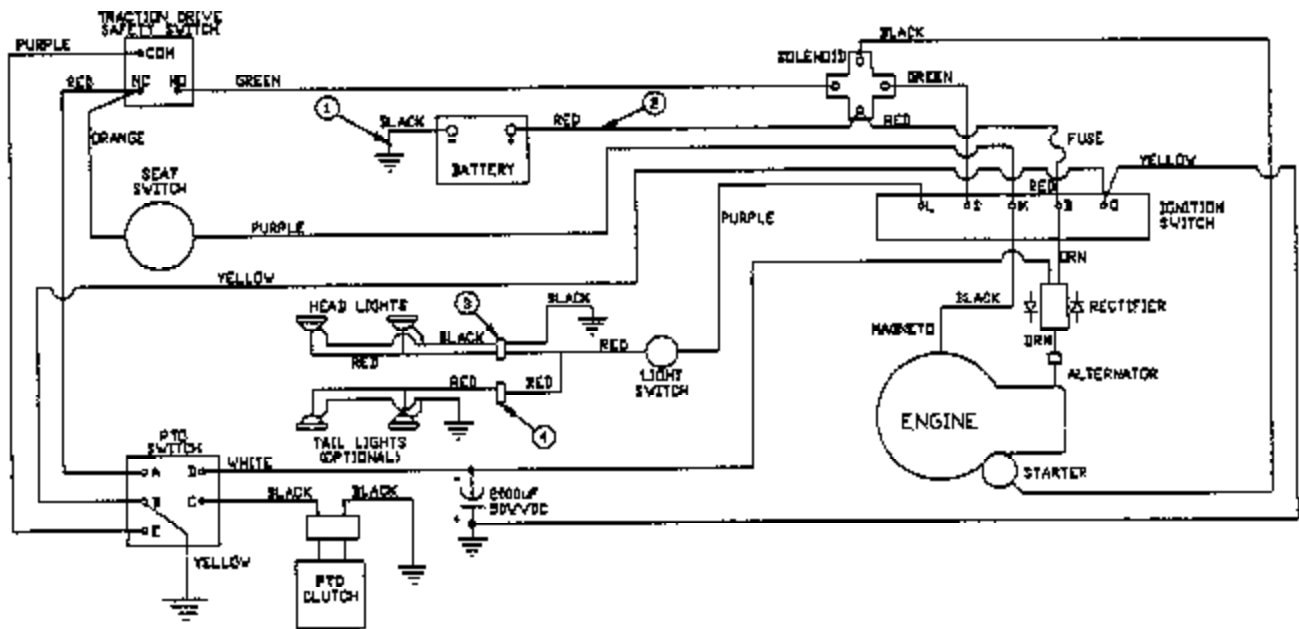
**38" ROTARY MOWER
ATTACHMENT DECK**



| REF. NO. | PART NO. | DESCRIPTION | QTY. | REF. NO. | PART NO. | DESCRIPTION | QTY. |
|----------|------------|---|------|----------|------------|---------------------------------------|------|
| 1 | JA-99504-5 | NUT- Center lock (9/16-18) | 2 | 24 | JA-33956-8 | DECAL- No step | 1 |
| 2 | JA-99494-2 | PULLEY- Cutter head | 2 | 25 | JA-99495-4 | DECAL- Belt installation | 1 |
| 3 | JA-45504-9 | WASHER- Flat | 8 | 26 | JA-31481-5 | WASHER- Flat | 4 |
| 4 | JA-99493-1 | SPINDLE- Cutter head | 2 | 27 | JA-44478-2 | NUT- Hex lock (3/8-16) | 8 |
| 5 | JA-99493-4 | SPACER- Spindle | 2 | 28 | JA-30945-7 | WASHER- Blade mtg. | 4 |
| 6 | JA-99000-7 | PLATE- Air out off | 2 | 29 | JA-99481-3 | ARM- Idler | 1 |
| 7 | JA-45301-1 | WASHER- Flat (3/8") | 8 | 30 | JA-40025-5 | SCREW- Hex hd., cap (3/8-18 x 1 1/2") | 1 |
| 8 | JA-44577-5 | NUT- Flange (5/16-18) | 6 | 31 | JA-99082-4 | PULLEY- Idler | 2 |
| 9 | JA-44187-8 | BOLT- Rd. hd., sq. neck (3/8-16 x 1 1/4") | 4 | 32 | JA-99487-4 | SPRING- Extension | 1 |
| 10 | JA-44187-9 | BOLT- Rd. hd., sq. neck | 8 | 33 | JA-40025-5 | SCREW- Hex hd., cap (3/8-18 x 1 3/4") | 1 |
| 11 | JA-99493-0 | ROD- Deflector | 1 | 34 | JA-40027-0 | SCREW- Hex hd., cap (3/8-16 x 2") | 1 |
| 12 | JA-99000-6 | BRACKET- Chute hinge | 1 | 35 | JA-37614-4 | ROD- Spring release | 1 |
| 13 | JA-99493-2 | SPRING- Torsion | 1 | 36 | JA-35259-4 | SPACER- Idler arm | 1 |
| 14 | JA-99493-9 | CHUTE- Deflector Assy. | 2 | 37 | JA-99505-1 | SCREW- Hex washer hd. | 10 |
| 15 | JA-99493-5 | NUT- Pal, push (3/8") | 1 | 38 | JA-99251-4 | BRACKET- Rear hanger | 2 |
| 16 | JA-99504-6 | NUT- Hex (9/16-18) | 2 | 39 | JA-37608-4 | BOLT- Shoulder | 2 |
| 17 | JA-99492-8 | WASHER- Flat | 2 | 40 | JA-98175-9 | PIN- Clevis | 2 |
| 18 | JA-99492-7 | WASHER- Belleville | 2 | 41 | JA-98491-5 | PIN- Link | 1 |
| 19 | JA-99497-8 | BLADE | 2 | 42 | JA-98497-2 | BRACKET- Link | 1 |
| 20 | JA-99493-3 | BLADE- Adaptor | 2 | 43 | JA-46030-5 | PIN- Hair cotter | 3 |
| 21 | JA-99494-1 | HOUSING- Spindle | 2 | 44 | JA-45302-3 | WASHER- Flat | 2 |
| 22 | JA-99494-5 | DECK ASSEMBLY Includes. | 1 | | | | |
| 23 | JA-33946-0 | DECAL- Danger | 2 | | | | |

WIRING DIAGRAM

FIGURE 7



PARTS LIST

FIGURE 7

| REF. NO. | PART NUMBER | DESCRIPTION | QTY. |
|----------|-------------|-------------------|------|
| 1 | JA-37612-4 | CABLE- BAT TO GND | 1 |
| 2 | JA-99437-7 | HARNESS, MAIN | 1 |
| 3 | JA-99089-0 | HARNESS, HEAD LTS | 1 |
| 4 | JA-99303-0 | HARNESS, TAIL LTS | 1 |