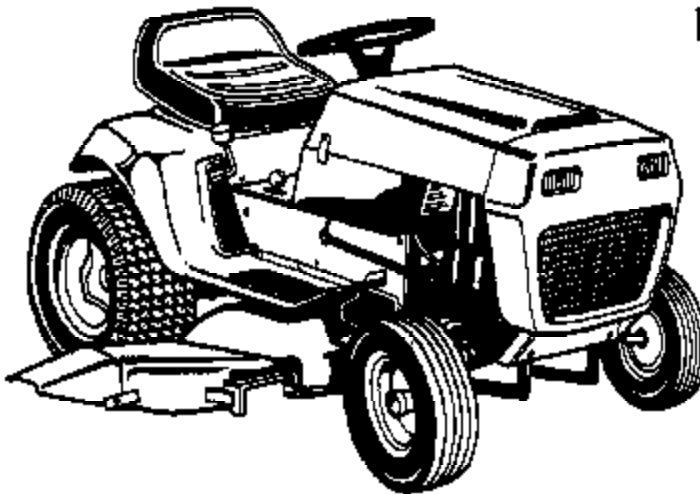


PARTS LIST

LAWN

TRACTORS



MODELS: LTX 8
 (UT-33004-C)
 LTX 12
 (UT-33005-D)
 LT10
 (UT33012)
 LT12
 (UT33013)

JACOBSEN[®]
HOMELITE

⚠ WARNING

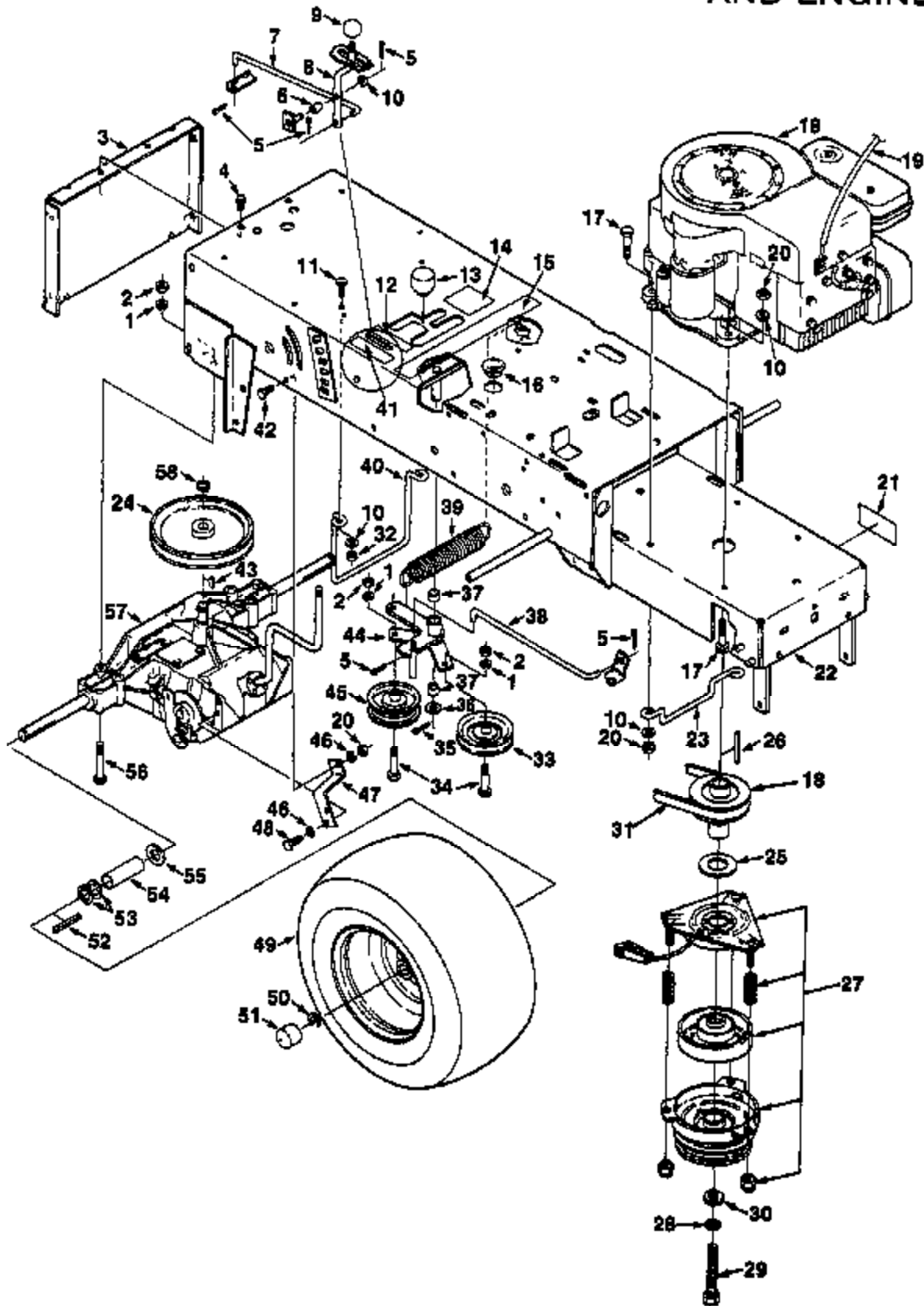
IF INCORRECTLY USED THIS MACHINE CAN CAUSE SEVERE INJURY. THOSE WHO USE AND MAINTAIN THE MACHINE SHOULD BE TRAINED IN ITS PROPER USE, WARNED OF ITS DANGERS, AND SHOULD READ THE ENTIRE MANUAL BEFORE ATTEMPTING TO SET UP, OPERATE, ADJUST OR SERVICE THE MACHINE. ALWAYS KEEP HANDS AND FEET AWAY FROM THE MOWER DECK AND DISCHARGE AREA.

Printed in U.S.A.
 Price 36¢

PART NO. JA-99309-6

ILLUSTRATION 1

FRAME TRANSAXLE AND ENGINE



PARTS LIST

ILLUSTRATION 1

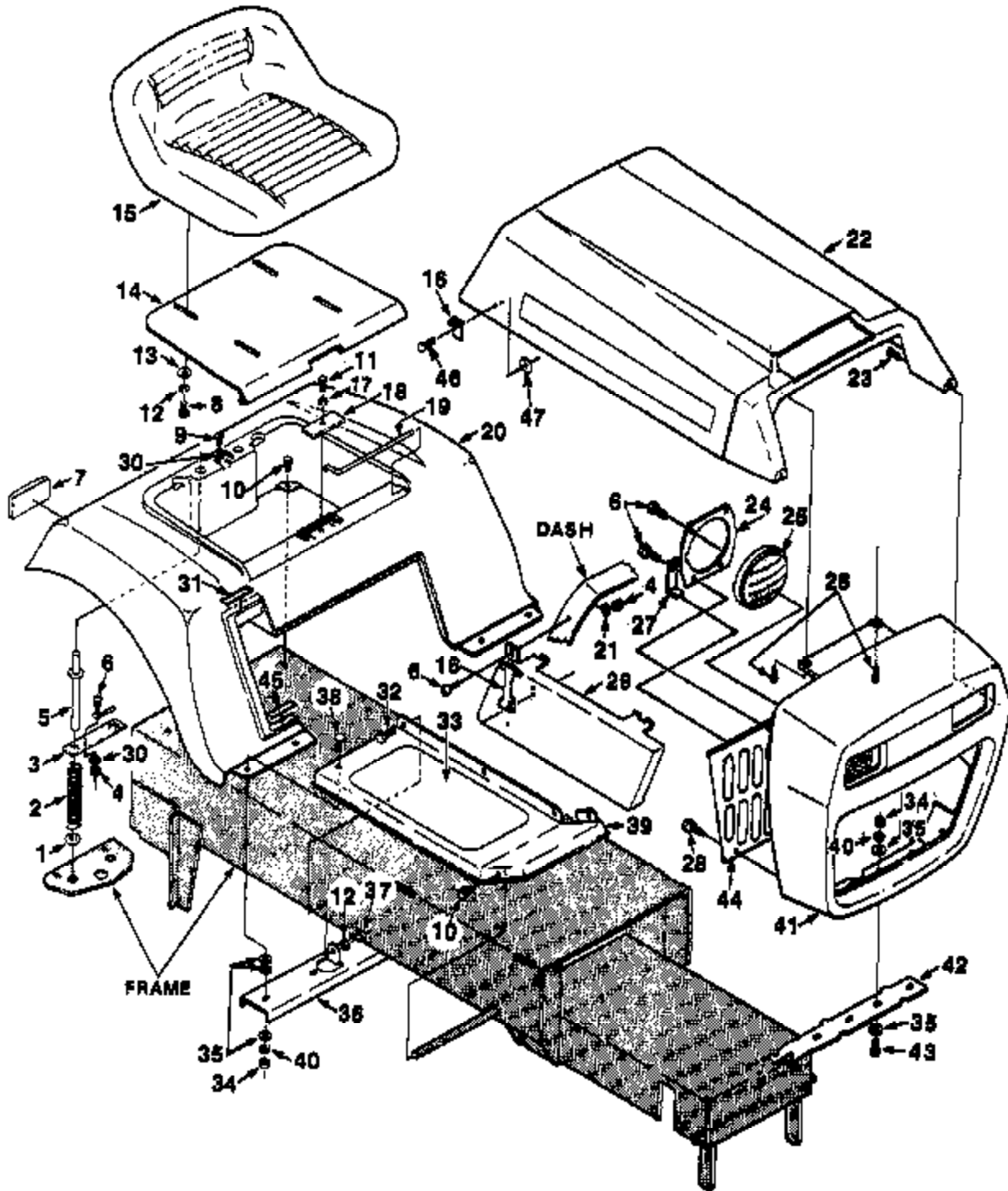
REF. NO.	PART NO.	QTY.	DESCRIPTION
1	JA-44814-2	6	WASHER- 3/8 lock
2	JA-44311-0	6	NUT- 5/8-16 hex
3	JA-39259-0	1	BRACKET- Hitch
4	JA-40855-5	6	BOLT- 1/4-20 x 9/16
5	JA-46001-4	4	PIN- Cotter 9/32 x 9/4
6	JA-37607-7	1	SPACER- Lever
7	JA-33851-1	1	ROD- Hi-lo sect
8	JA-33859-3	1	LEVER- Hi-lo
9	JA-31520-9	1	KNOB
10	JA-45300-9	A/R	WASHER- Flat 5/16
11	JA-40016-6	2	SCREW- 5/16-18 x 7/8 hex hd. cap
12	JA-99059-0	1	DECAL- Second & Reverse
13	JA-37607-8	1	KNOB- Shift lever
14	JA-99060-0	1	DECAL- First & Third
15	JA-99025-0	1	DECAL- Warning
16	JA-37608-8	1	BUSHING- Snap
17	JA-40019-4	4	SCREW- 5/16-18 x 1 3/4 hex hd. cap
18	JA-99107-1	1	PULLEY- Drive
19	JA-99191-0	1	CABLE- Retaining
20	JA-44310-6	5	NUT- 5/16-18
21	JA-33856-9	1	DECAL- Warning
22	JA-11779-0	1	FRAME ASSY.
23	JA-37603-8	1	GUIDE- Front belt
24	JA-39259-3	1	PULLEY- Drive
25	JA-67004-7	1	WASHER
26	JA-32528-8	1	KEY
27	JA-99105-9	1	BRAKE- Electric clutch
28	JA-44614-8	1	WASHER- Lock 7/16 hvy
29	JA-40038-4	1	SCREW- 7/16-20 x 2 3/4 hex hd. cap
30	JA-99012-2	1	CLUTCH- Retainer
31	JA-38259-4	1	BELT- Traction drive
32	JA-44471-8	4	NUT- 5/16-18 hex centerlock

REF. NO.	PART NO.	QTY.	DESCRIPTION
33	JA-33863-0	1	IDLER- Inside
34	JA-40026-8	1	SCREW- 3/8-18 x 1 3/4 hex hd. cap
35	JA-46004-8	1	PIN- Cotter 3/16 x 1
36	JA-45301-7	1	WASHER- Flat 17/32
37	JA-32813-3	2	BUSHING
38	JA-37608-8	1	ROD- Idler actuator
39	JA-37608-8	1	SPRING- Extension
40	JA-37609-7	1	GUIDE- Rear belt
41	JA-99058-0	1	DECAL- Hi-Lo
42	JA-40016-2	1	SCREW- 5/16-18 x 5/8 hex hd. cap
43	JA-46301-7	1	KEY- 3/16 x 3/4
44	JA-14219-0	1	CLUTCH BEARING ASSY
45	JA-33622-2	1	IDLER- Backside
46	JA-44613-6	2	WASHER- Lock 5/16 hvy
47	JA-37601-7	1	BRACKET
48	JA-40081-2	2	SCREW- 5/16-18 x 3/4
49	JA-18198-3	2	REAR WHEEL ASSY
50	JA-45841-9	2	RING- Retaining
51	JA-37609-0	2	HUB CAP- Rear wheel
52	JA-31061-1	2	KEY- 3/16 x 3/16 x 2 1/2
53	JA-31382-0	A/R	SPACER
54	JA-37607-9	2	SPACER- Rear wheel
55	JA-46302-2	2	WASHER- Flat 13/16
56	JA-40028-6	4	SCREW- Hex 3/8-18 x 2 3/4
57	JA-99301-5	1	TRANSAXLE- 6 Speed
58	JA-46800-9	1	RING- Retaining
*		1	ENGINE- 6 HP (LTX-6) (See Note 1)
		1	ENGINE- 12 HP (LTX-12) (See Note 1)

NOTE 1: When ordering engine parts, see your local Briggs & Stratton dealer.

ILLUSTRATION 2

COWLINGS, REAR FENDER AND SEAT ASSEMBLY



PARTS LIST

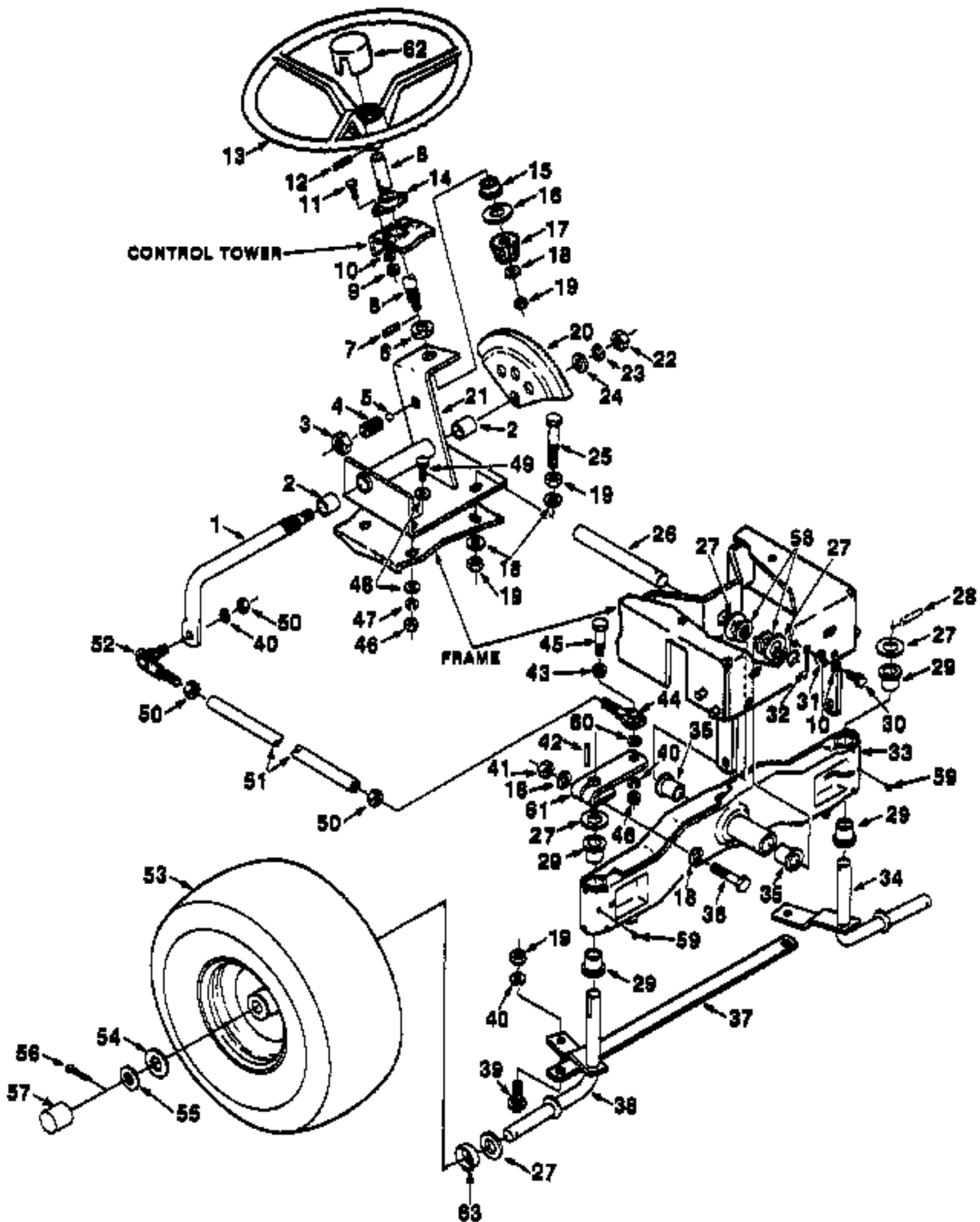
ILLUSTRATION 2

REF. NO.	PART NO.	QTY.	DESCRIPTION
1	JA-37812-2	2	WASHER- Insulation
2	JA-37811-8	2	SPRING- Compression
3	JA-37811-8	1	CONTACT- Interlock
4	JA-44431-0	6	NUT- Hex 10-24
5	JA-37811-7	2	PIN- Seal Support
6	JA-40390-8	7	SCREW- 10-24 x 3/8
7	JA-33575-7	2	REFLECTOR- Reflex
8	JA-40018-2	4	SCREW- Hex hd. 5/16-18 x 5/8
8	JA-40825-4	4	SCREW- #10 x 1/2
10	JA-37507-8	4	BOLT- 1/4-14 x .44
11	JA-40010-8	5	SCREW- Cap 1/4-20 x 3/4
12	JA-44813-8	8	WASHER- Lock 5/16
13	JA-45300-8	4	WASHER- 5/16
14	JA-89124-1	1	PAN- Seat
15	JA-12407-2	1	SEAT- Jacobsen
16	JA-99029-0	2	LATCH
17	JA-44813-0	1	WASHER- Lock 1/4
18	JA-37812-0	1	BRACKET- Hitch
19	JA-37811-9	2	ROD- Hinge
20	JA-88118-1	1	FENDER
21	JA-45300-2	2	WASHER
22	JA-89132-1	1	HOOK
23	JA-40840-8	6	SCREW- 1/4 x 14 x 1
24	JA-33862-6	2	RETAINER- Light
25	JA-37509-1	2	LIGHT- Head
26	JA-40840-4	2	SCREW- Tap hex 1/4-14 x 3/4
27	JA-88447-0	2	CLIP

REF. NO.	PART NO.	QTY.	DESCRIPTION
28	JA-40840-6	2	SCREW- 1/4-14 x 1/2
29	JA-89334-3	1	PANEL- Side R.H. (Incl. #8, 48 & 47)
	JA-89334-6	1	PANEL- Side L.H.
30	JA-44811-8	2	WASHER- Lock #10
31	JA-89101-4	1	DECAL- Hi-Lift Pos.
32	JA-40018-8	2	BOLT- Hex 5/16-18 x 1
33	JA-33861-2	2	PAD- Footboard
34	JA-44310-2	4	NUT- Hex 1/4-20
35	JA-45302-3	4	WASHER- Plain 1/4
36	JA-33862-7	1	BRACKET- Footboard
37	JA-44310-6	2	NUT- Hex 5/16-18
38	JA-44160-4	4	BOLT- 1/4-20 x 1
38	JA-88180-1	1	FOOTBOARD, R.H. (includes item #38)
	JA-89127-1	1	FOOTBOARD L.H. (includes item #38)
40	JA-44812-8	4	WASHER- Lock 1/4
41	JA-89128-1	1	COWLING
42	JA-39260-0	1	HINGE- Grille
43	JA-40010-6	1	SCREW- 1/4-20 x 5/8
44	JA-99039-7	1	GRILLE SCREEN
45	JA-89101-7	1	DECAL- Lo-Lift Pos.
46	JA-45484-2	4	RIVET- Plain
47	JA-45700-5	4	WASHER- Flat

ILLUSTRATION 3

STEERING LINKAGE



PARTS LIST

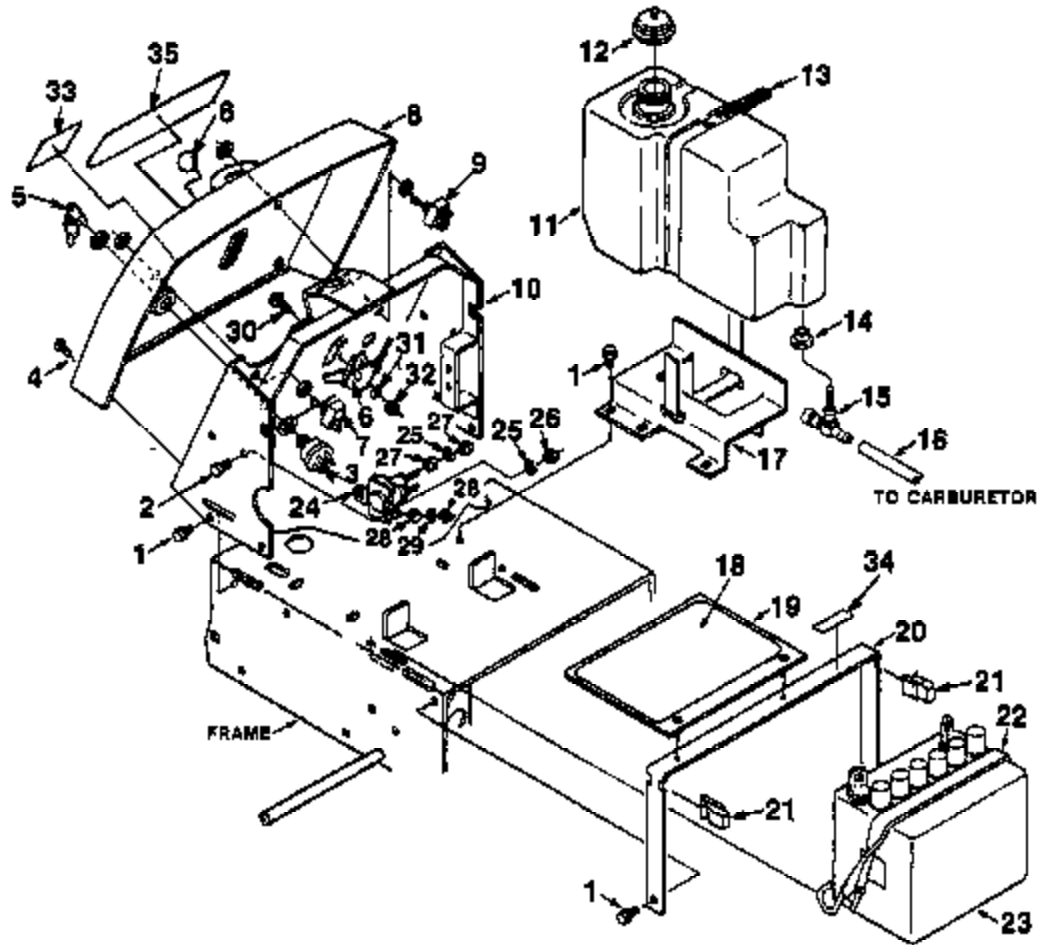
ILLUSTRATION 3

REF. NO.	PART NO.	QTY.	DESCRIPTION
1	JA-33885-1	1	ARM- Pitman
2	JA-31155-8	2	BUSHING
3	JA-44382-8	1	NUT- 5/8
4	JA-37812-1	1	SPACER- Bearing
5	JA-46800-8	1	BALL- .312 dia.
6	JA-37810-8	1	SPACER- Steering
7	JA-48138-3	1	PIN- Roll 3/16 x 1
8	JA-38885-2	1	SHAFT- Steering wheel
9	JA-44310-2	2	NUT- Hex 1/4-20
10	JA-44813-0	2	WASHER- Lock 1/4
11	JA-40010-4	2	SCREW- Hex 1/4-20 x 1/2
12	JA-48138-7	1	PIN- Roll 1/4-1
13	JA-89034-8	1	WHEEL- Steering
14	JA-37807-4	1	BEARING- Steering shaft
15	JA-34813-3	1	BUSHING
16	JA-37887-0	1	WASHER
17	JA-33882-8	1	PINION- Steering
18	JA-88288-1	8	WASHER
19	JA-44311-0	4	NUT- Hex 3/8-16
20	JA-38288-8	1	STEERING- Gear
21	JA-14220-3	1	SUPPORT- Steering
22	JA-44311-8	1	NUT- Hex 1/2-13
23	JA-44818-4	1	WASHER- Lock 1/2
24	JA-45301-7	1	WASHER- Flat 1/2
25	JA-40027-8	1	SCREW- Hex 3/8-18 x 2
26	JA-87808-7	1	ROD
27	JA-48002-2	8	WASHER- Flat 3/4
28	JA-48140-8	1	PIN- Roll 1/4 x 1 1/2
29	JA-37808-6	4	BUSHING- Spindle
30	JA-40887-8	1	SCREW- 1/4-20 x 3/4
31	JA-48302-8	1	WASHER- Plain 1/4
32	JA-48008-4	1	PIN- Cotter
33	JA-14218-8	1	FRONT AXLE ASSY.
34	JA-88093-7	1	SPINDLE

REF. NO.	PART NO.	QTY.	DESCRIPTION
36	JA-31008-4	2	BEARING
36	JA-40027-2	1	SCREW- Hex 3/8-16 x 2 1/4
37	JA-37808-9	1	BAR- Tie
38	JA-89281-7	1	SPINDLE- R.H.
38	JA-37808-6	2	BOLT- Tie bar mounting
40	JA-44814-2	6	WASHER- 5/8 lock
41	JA-44478-2	1	NUT- Contraction 3/8-18
42	JA-88078-0	1	KEY- 3/16 x 1 1/2
43	JA-37811-4	1	SPACER- Ball joint
44	JA-37808-4	1	BALL JOINT
45	JA-40028-8	3	SCREW- Hex 3/8 x 1 1/2 x 1 3/4
46	JA-44310-8	4	NUT- Hex 5/16-18
47	JA-44813-8	8	WASHER- Lock 5/16
48	JA-48300-8	8	WASHER- 6/16
49	JA-40018-8	2	SCREW- Hex 5/16-18 x 7/8
50	JA-44311-2	3	NUT- Hex 3/8-24
51	JA-37808-2	1	TUBE
52	JA-37808-0	1	BALL JOINT
53	JA-18188-4	2	RIM & TIRE ASSY.
54	JA-37887-0	1	WASHER
55	JA-31238-8	2	WASHER- HT
56	JA-48004-0	2	PIN- Cotter 5/32 x 1 1/4
57	JA-31880-2	2	CAP
58	JA-31232-0	2	SPACER
59	JA-47132-5	2	FITTING- Grease
60	JA-37811-8	1	SPACER- Ball joint
61	JA-88238-8	1	ARM- Steering
62	JA-88034-8	1	CAP- Steering wheel
63	JA-37841-1	2	WASHER- Dust

ILLUSTRATION 4

CONTROL PANEL, BATTERY AND GAS TANK



PARTS LIST

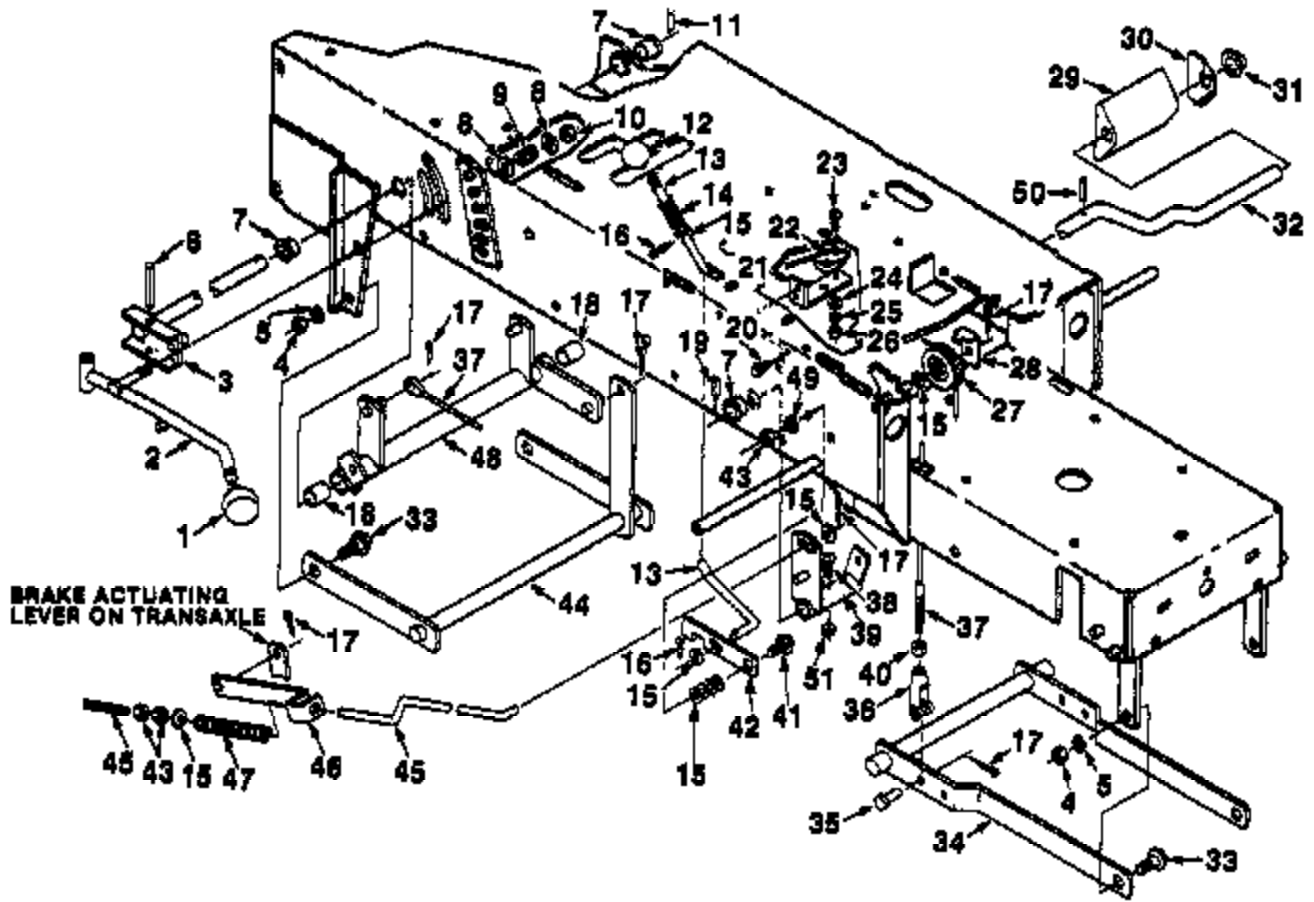
REF. NO.	PART NO.	QTY.	DESCRIPTION
1	JA-37587-8	9	BOLT- 1/4-14
2	JA-40010-4	2	SCREW- 1/4-20 x 1/2 hex
3	JA-13041-2	1	SWITCH- Key
4	JA-40803-6	4	SCREW- #10 x 3/4
5	JA-34306-0	2	KEY
6	JA-99224-1	1	CONTROL
7	JA-15899-2	1	SWITCH- Headlight
8	JA-99310-2	1	PANEL- Dash
9	JA-99013-5	1	SWITCH- PTO
10	JA-99217-8	1	CONTROL TOWER ASSY.
11	JA-39737-9	1	TANK- Gas
12	JA-37601-1	1	CAP- Fuel
13	JA-99098-0	1	STRAP- Gas tank
14	JA-36111-7	1	BUSHING
15	JA-99107-2	1	VALVE- Shut off
16	JA-99107-3	1	TUBING- Rubber (fuel line)
17	JA-33990-1	1	SUPPORT
18	JA-99147-0	1	DECAL- Battery

ILLUSTRATION 4

REF. NO.	PART NO.	QTY.	DESCRIPTION
19	JA-37606-8	1	COVER- Battery
20	JA-33980-5	1	BRACKET
21	JA-35249-6	2	CLIP
22	JA-15895-9	1	STRAP- Hold down
23	JA-37608-0	1	BATTERY
24	JA-89559-0	1	SOLENOID
25	JA-44613-0	4	WASHER- Lock 1/4
26	JA-44310-2	2	NUT- Hex 1/4-20
27	JA-44380-2	2	NUT- 1/4-20
28	JA-44430-6	2	NUT- Hex 5-32
29	JA-44611-2	1	WASHER- Lock #8
30	JA-40391-0	2	SCREW- 10-24 x 1/2
31	JA-45200-2	2	WASHER- Plain 1/4"
32	JA-44478-2	2	NUT- Hex Centerlock 10-24
33	JA-99222-4	1	DECAL- Throttle
34	00305	1	DECAL- Gasohol
35	JA-99304-3	1	DECAL- Instruction
	JA-47316-5	A/R	SECURE TIES

LIFT, BRAKE AND CLUTCH LINKAGE

ILLUSTRATION 5



PARTS LIST

ILLUSTRATION 5

REF. NO.	PART NO.	QTY.	DESCRIPTION
1	JA-34349-7	1	KNOB- Implement lift handle
2	JA-14218-6	1	HANDLE- Lift
3	JA-18198-2	1	LIFT HANDLE BRACKET & ROD ASSY.
4	JA-44311-0	4	NUT- Hex 3/8-16
6	JA-44814-2	4	WASHER- Lock 3/8 hvy.
8	JA-48134-7	1	PIN- Groove 5/16 x 2 1/4
7	JA-35168-7	4	BUSHING- Flange
8	JA-45200-8	2	WASHER- Flat 3/8
9	JA-37809-2	1	SPRING- Compression
10	JA-44471-8	1	NUT- Hex centerlock 5/16-18
11	JA-48136-3	1	PIN- Spring 3/16 x 1
12	JA-31620-9	1	KNOB- Parking brake
13	JA-37808-6	1	ROD- Brake lock
14	JA-31634-4	1	SPRING- Compression
16	JA-45300-8	8	WASHER- Flat 5/16
16	JA-48002-8	2	PIN- Cotter 1/8 x 3/4
17	JA-48001-4	9	PIN- Cotter 3/32 x 3/4
18	JA-30890-2	2	BUSHING- Pivot
19	JA-48138-3	2	PIN- Roll 3/16 x 1
20	JA-97597-8	2	BOLT- 1/4-14
21	JA-37808-1	1	BRACKET- Safety switch
22	JA-99158-0	1	SWITCH- Safety (traction clutch)
23	JA-40277-8	2	SCREW #4-40 x 1.00 slotted truss head
24	84011	2	WASHER- Flat 4-40 x 1/4
26	JA-44610-2	2	WASHER- Lock #4 Reg.
26	JA-44430-2	2	NUT #4-40 hex

REF. NO.	PART NO.	QTY.	DESCRIPTION
27	JA-37907-3	2	PULLEY- Lift cable
28	JA-37901-6	2	RETAINER- Lift cable
29	JA-34489-5	1	PEDAL- Clutch
30	JA-37510-6	1	PEDAL- Safety stop clutch
31	JA-37581-0	1	NUT- 5/8 push on
32	JA-39981-8	1	ROD- Clutch
33	JA-37609-4	4	BOLT- Shoulder
34	JA-12413-4	1	DRAG LINK ASSY.
35	JA-48146-1	2	PIN- Clevis
36	JA-37808-3	2	YOKE
37	JA-39980-0	2	CABLE- Deck lift
38	JA-43402-7	1	SCREW- 10-24 x 1 3/4
39	JA-14220-0	1	CLUTCH ROD ACTUATOR ASSY.
40	JA-44380-8	2	NUT- 5/16-24 hex [sm]
41	JA-37543-1	1	BOLT- Idler pivot
42	JA-89258-7	1	LATCH- Parking brake
43	JA-44310-6	3	NUT- 5/16-18 hex
44	JA-14218-6	1	REAR LIFT BAR ASSY.
45	JA-37809-9	1	ROD- Brake
45	JA-18198-9	1	BRAKE SPRING BRACKET ASSY.
47	JA-37810-2	1	SPRING- Brake compression
48	JA-18199-5	1	REAR LIFT & BUSHING ASSY.
49	JA-44613-6	1	WASHER- Lock 5/16 hvy.
50	JA-48136-3	1	PIN- Roll
51	JA-44478-2	1	NUT- Centerlock #10-24

WIRING DIAGRAM

ILLUSTRATION 6

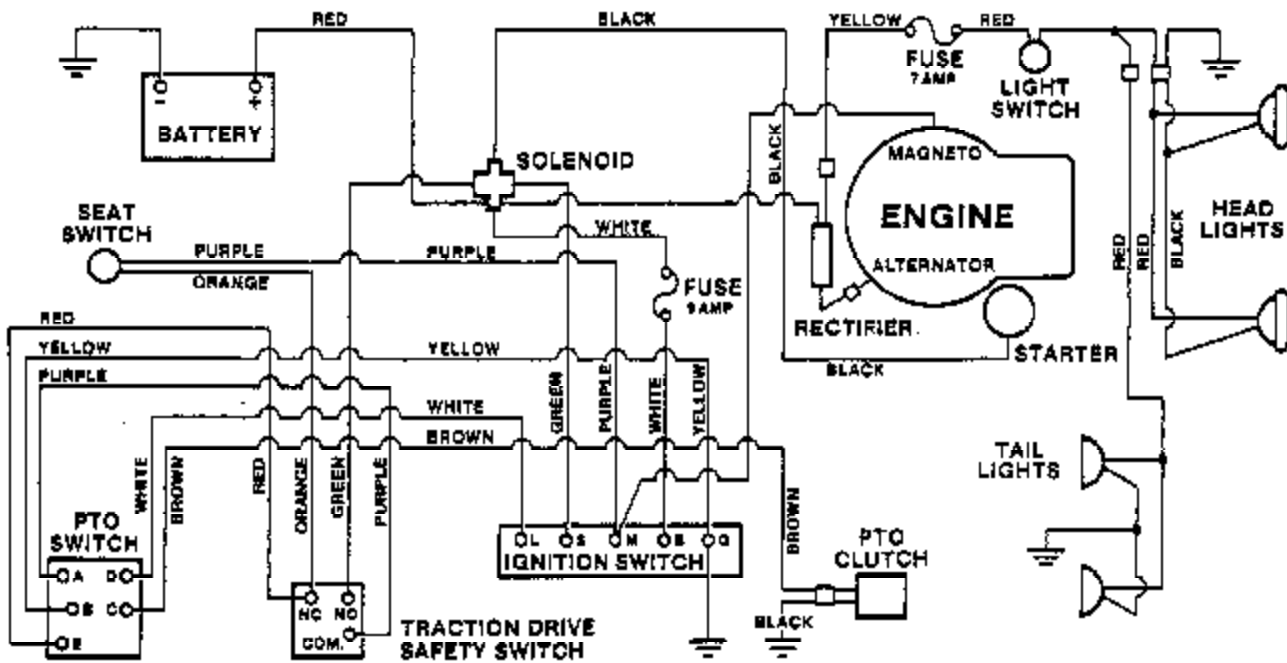


ILLUSTRATION 6

PARTS LIST

- JA-99303-0 _____ HARNESS, Taillights
- JA-99089-0 _____ HARNESS, Headlights
- JA-99016-2 _____ HARNESS, Rectifier
- JA-99013-4 _____ HARNESS, Main wiring

PTO SWITCH
ON
B-E-CONTINUITY
C-D-CONTINUITY
OFF
A-D-CONTINUITY