

Homelite®

- Ⓞ PARTS LIST
- Ⓞ LISTE DE PIÈCES
- Ⓞ TEILELISTE
- Ⓞ LISTA DE PIEZAS
- Ⓞ ELENCO DEI PEZZI

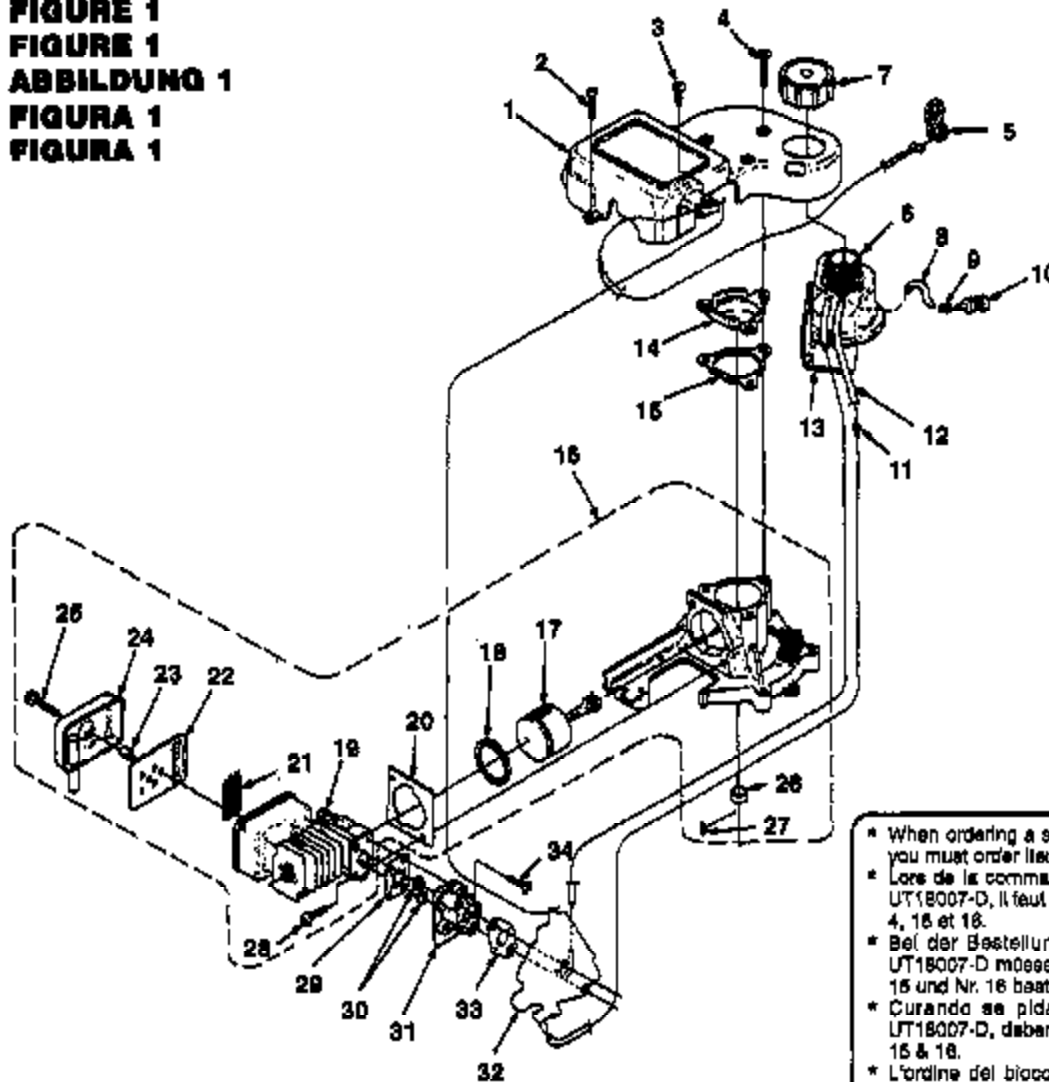
HX 16	UT18022 B, C
HT 17	UT18007 D
HT 19	UT18023 B
HT 17 I	UT18008 G
HT 21 I	UT18016 F
HT 22	UT18029 B
HT 22 Classic	UT18028 B

- Ⓞ HEDGE TRIMMERS
- Ⓞ TAILLE-HAIES
- Ⓞ HECKENTRIMMERS
- Ⓞ PODADORAS
- Ⓞ CIMATRICE

Printed in U.S.A.
 Imprime aux. E.-U.
 Gedruckt in den U.S.A.
 Impreso en EE. UU.
 Stampato negli Stati Uniti

P/N 18856-D

FIGURE 1
FIGURE 1
ABBILDUNG 1
FIGURA 1
FIGURA 1



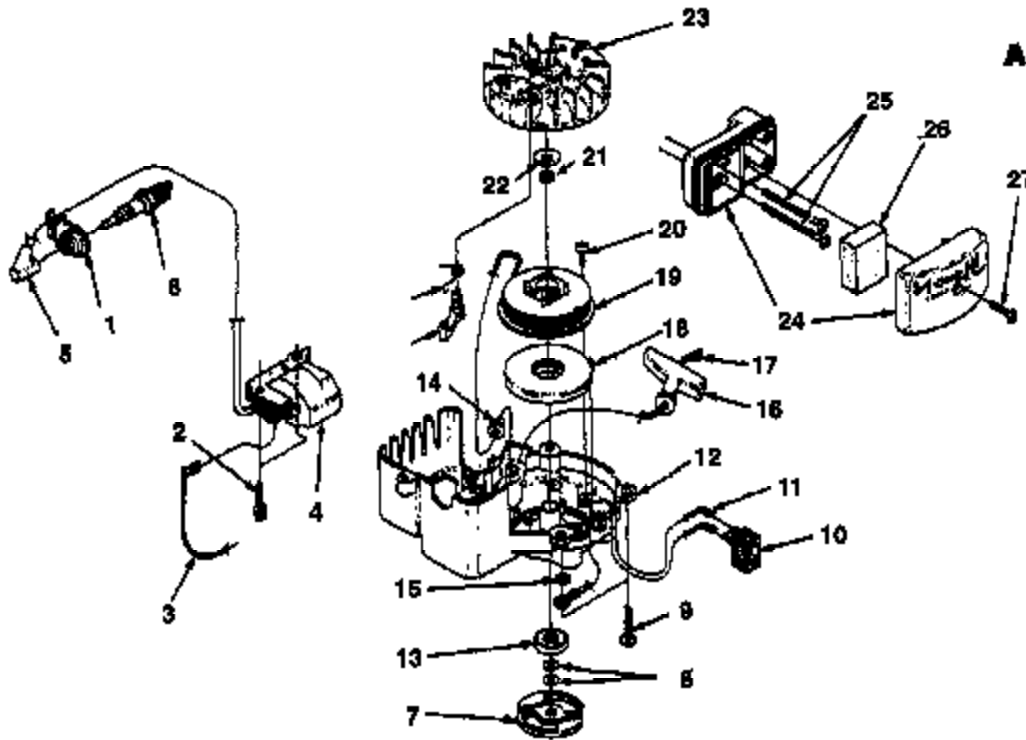
* When ordering a short block for UT18007-D you must order items #4, 15 & 18.
 * Lors de la commande du bloc court pour le UT18007-D, il faut commander les pièces n°s 4, 15 et 18.
 * Bei der Bestellung des Rumpfmotors für UT18007-D müssen Gegenstände Nr. 4, Nr. 15 und Nr. 16 bestellt werden.
 * Cuando se pide el bloque corto para UT18007-D, deberán pedirse las piezas #4, 15 & 18.
 * L'ordine del blocco corto per l'UT18007-D deve comprendere gli articoli n. 4, 15, e 18.

N	P/N	D	Q
1	A 08178	COVER-Engine	1
2	82536	SCREW-Thread Form. (#8 X 3/4")	2
3	82541	SCREW-Thread Form. (#10 X 1/2")	1
4	82538	SCREW-Thread Form. (10-24 X 3/4")	3
5	00959	LEVER-Tigger	1
6	* A 08454	FUEL TANK ASSEMBLY	1
7	DA 00089 A	CAP-Fuel	1
8	01438 21	TUBING-Rubber (5 1/2")	1
9	98258	CLAMP-Wire	1
10	49422	FILTER-Fuel	1
11	01327	FITTING	A/R
12	94772 25	TUBING-Rubber (5 1/4")	1
13	00927 A	SPACER-Fuel Tank	1
14	* A 04820 A	CRANKCASE COVER	1
15	00946	GASKET-Crankcase	1

N	P/N	D	Q
19	* A 08217	SHORT BLOCK*	1
17	* A 08478	PISTON & ROD	1
18	08478	RING-Piston	1
19	* A 08211	CYLINDER & MUFFLER ASSEMBLY	1
20	08159	GASKET-Cylinder	1
21	00921	SCREEN-Spark Arrestor	1
22	00920	BAFFLE-Muffler	1
23	00981	SPACER-Muffler	1
24	A 01538	COVER-Muffler	1
25	82540	SCREW-Thread Form. (8-32 X 1")	3
26	01971	SPACER	1
27	89250	KEY-Woodruff	1
28	82568	SCREW-Machine (10-24 X 3/4")	2
29	00932 B	GASKET-Heat Dam	1
30	81208	NUT-Hex (10-24)	2
31	00917 B	HEAT DAM	1
32	* A 08212	CARBURETOR KIT	1
33	98768 A	GASKET-Carburetor	1
34	82549 1	SCREW-Thread Form. (10-24 X 1")	2

No. N° Nr. No. N°	— N	Part No. Pièce N° Teil Nr. No. de pieza Pezzo N°	— PN	DESCRIPTION — D	— Q	Quantity Quantité Menge Cantidad Quantità	—	Assemblies Ensembles Bauteile Conjuntos Conjuntos Completi	—
-------------------------------	-----	--	------	-----------------	-----	---	---	---	---

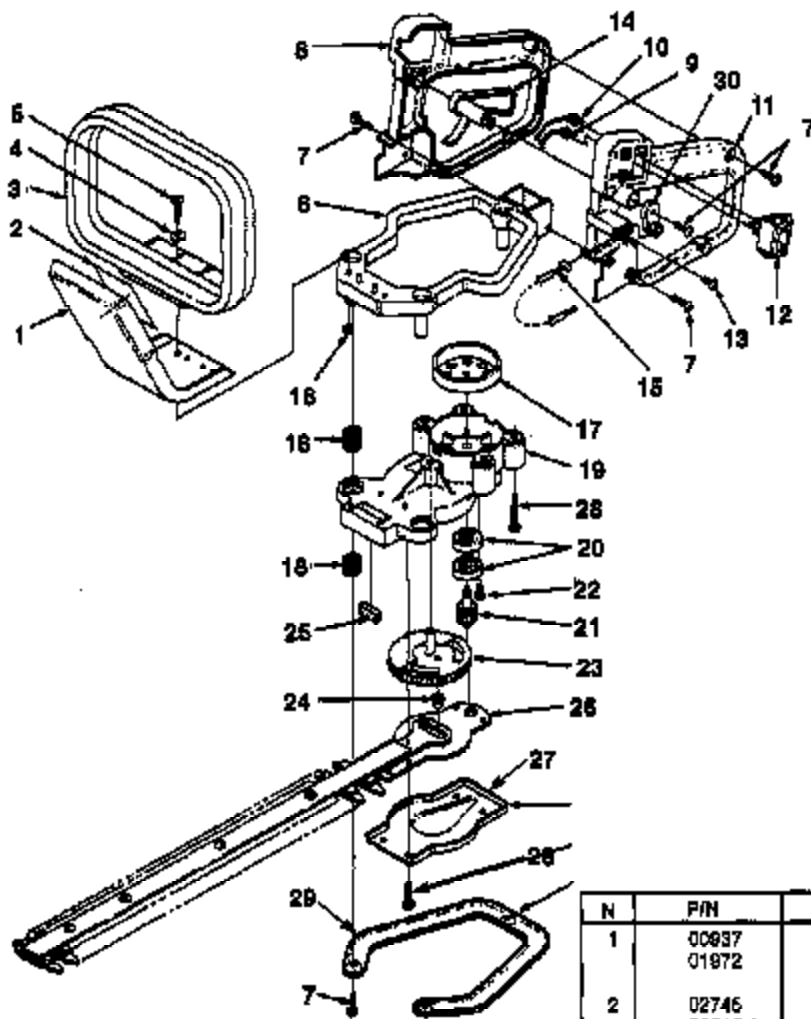
FIGURE 2
FIGURE 2
ABBILDUNG 2
FIGURA 2
FIGURA 2



N	P/N	D	Q
1	01010 A	SHIELD-Spark Plug	1
2	82540	SCREW-Thread Form. (8-32 X 1")	2
3	A 00942	LEAD-Electrofil	1
	A 04446	IGNITION KIT	1
4	94711 CS	MODULE-Ignition	1
5	A 02687	SPARK PLUG BOOT KIT	1
6	98189 S	SPARK PLUG (DJ-7Y)	1
8	78252	SPARK PLUG (RDY-7Y) (HT171, HT191, HT211)	1
7	03588 1	CLUTCH "S"	1
9	70788	WASHER-Bellville	2
9	82538	SCREW-Tapfit (10-24 X 3/4")	4
10	00941	SWITCH	1
11	02497	SWITCH (HT171, HT191, HT211)	1
11	A 00943	LEAD-Ground	1
12	A 08183	HOUSING-Engine & Pulley	1
13	98843	BEARING-Ball	1
14	98981 1A	BUSHING-Starter	1
15	84003	WASHER-Flat (#10)	1
16	02264	GRIP-Starter Rope	1
17	87889 02	ROPE-Starter (42")	1
18	A 97906	SPRING & CONTAINER	1
18	00924	PULLEY-Starter	1
20	82541	SCREW-Thread Form. (#10 X 1/2")	2
21	81181	NUT-Hex (7/16-20)	1
22	01325	WASHER-Conical	1
23	A 01015 A	ROTOR	1
24	A 00335 A	AIR FILTER HOUSING	1
25	82542	SCREW-Machine (10-24 X 2 1/4")	2
26	00834	FILTER-Air	1
27	82368	SCREW-Thread Form. (#8 X .750)	1

No. N° Nr. No. N°	— N	Part No. Pièce N° Teil Nr. No. de pieza Pezzo N°	— PN	DESCRIPTION	— D	Quantity Quantité Menge Cantidad Quantità	— Q	Assemblies Ensembles Bauteile Conjuntos Composti	— *
-------------------------------	-----	--	------	-------------	-----	---	-----	--	-----

FIGURE 3
FIGURE 3
ABBILDUNG 3
FIGURA 3
FIGURA 3



N	PN	D	Q
1	00837	GUARD-Hand (HX16, HT17, HT19)	1
	01872	GUARD-Hand (HT21, HT17L, HT19L) HT21L, HT22)	1
2	02746	DECAL-Warning	1
	02816 A	DECAL-Warning (HT17L, HT19L, HT21L)	1
3	00836 A	HANDLE-Front	1
4	85249	WASHER-Flat (10-24)	2
5	82538	SCREW-Thread Form. (10-24 X 3/4")	2
6	01007	BASE-Vibration Isolator	1
7	82538	SCREW-Thread Form. (#8 X 3/4")	7
8	00938	HANDLE-Rear (Right)	1
9	A 00842	LEAD-Electrical	1
10	A 00843	LEAD-Ground	1
11	00939	HANDLE-Rear (Left)	1
12	00941	SWITCH	1
13	82541	SCREW-Thread Form. (#10 X 1/2")	1
14	00858 A	TRIGGER	1
15	01873	CABLE-Throttle	1
16	81208	NUT-Hex (10-24)	2
17	00949 B	DRUM-Clutch	1
18	01009	SPRING-Compression	6
19	A 01528	GEAR BOX ASSEMBLY	1
20	88843	BEARING-Ball	2
21	A 01313	PINION & SCREW ASSEMBLY	1
22	82541	SCREW-Thread Form. (#10 X 1/2")	1
23	A 01312	GEAR & PIN ASSEMBLY	1
24	00955	BUSHING	1
25	00935	BLADE-Seal	1
26	07210	BLADE ASSY. (17")	1
	07211	BLADE ASSY. (18")	1
	04898	BLADE ASSY. (22")	1
	A 01841 A	BLADE ASSY. (21")	1
27	00954	COVER-Gear Box	1
28	82537	SCREW-Thread Form. (#10 X 7/8")	4
29	01013	BRACE	1
30	00959	LEVER-Trigger	1
31	07487	WASHER	1

No. N°
 Nr. Nr.
 No. No.
 № №

Part No.
 Pièce N°
 Teil Nr.
 No. de pieza
 Pezzo N°

DESCRIPTION - D

Quantity
 Cantidad
 Menge
 Cantidad
 Quantità

Assemblies
 Ensembles
 Baugteile
 Conjuntos
 Complessi