

Homelite®

- Ⓞ PARTS LIST
- ⓕ LISTE DE PIÈCES
- ⓓ TEILELISTE
- ⓔ LISTA DE PIEZAS
- ⓖ ELENCO DEI PEZZI

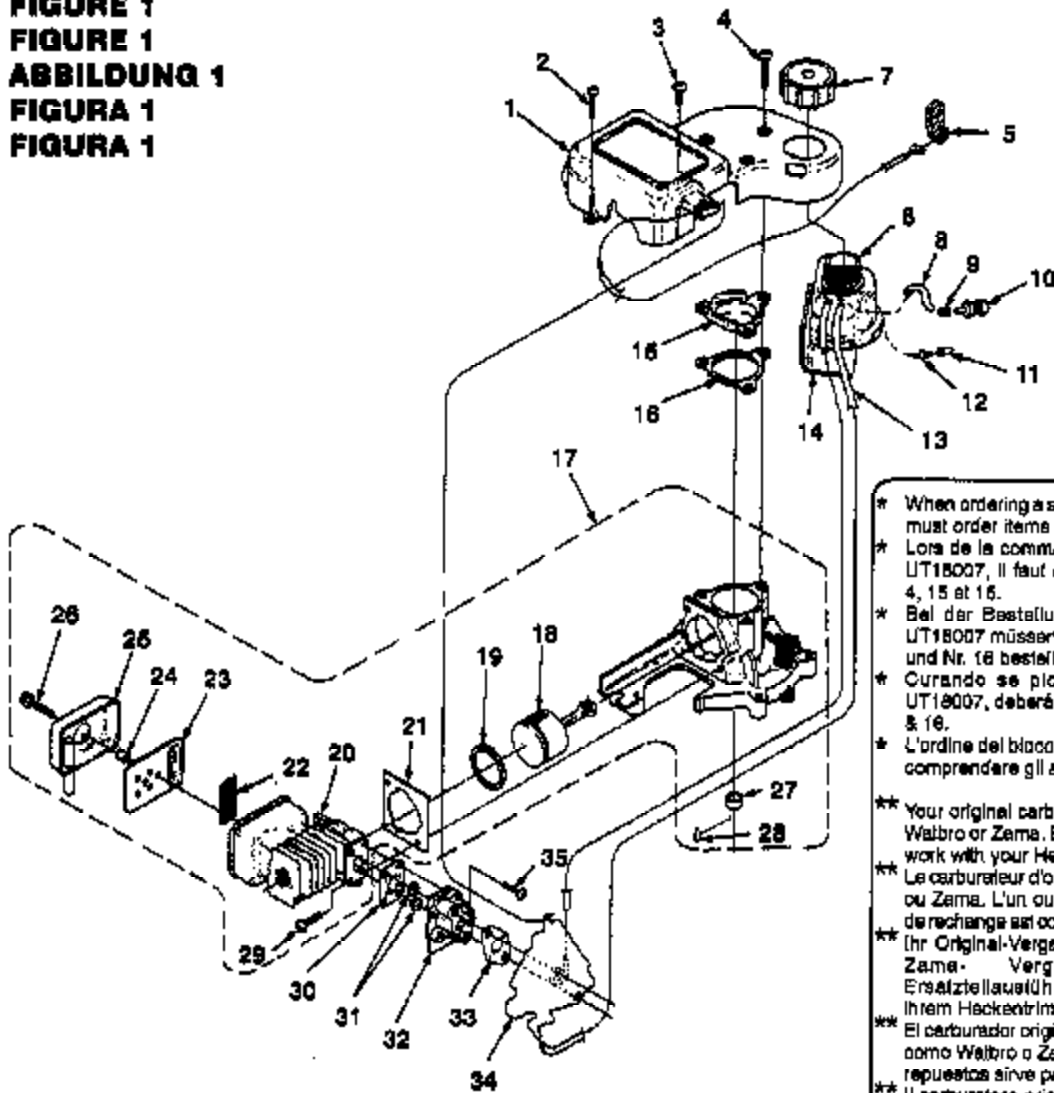
HX 16	UT18022, A
HT 17	UT18007, A, B, C
HT 19	UT18023, A
HT 21	UT18011, A, B
HT 17 I	UT18008 C, D, E, F
HT 19 I	UT18024 A, B
HT 21 I	UT18016 C, D, E
HT 22 (Classic)	UT18028, A
HT 22	UT18029, A

- Ⓞ HEDGE TRIMMERS
- ⓕ TAILLE-HAIES
- ⓓ HECKENTRIMMERS
- ⓔ PODADORAS
- ⓖ CIMATRICE

Printed in U.S.A.
 Imprime aux. E.-U.
 Gedruckt in den U.S.A.
 Impreso en EE. UU.
 Stampato negli Stati Uniti

P/N 18856-B
 Rev. 1

FIGURE 1
FIGURE 1
ABBILDUNG 1
FIGURA 1
FIGURA 1



* When ordering a short block for UT18007 you must order items #4, 15 & 16.
 * Lors de la commande du bloc court pour le UT18007, il faut commander les pièces n°s 4, 15 et 16.
 * Bei der Bestellung des Rumpfmotors für UT18007 müssen Gegenstände Nr. 4, Nr. 15 und Nr. 16 bestellt werden.
 * Cuando se pide el bloque corto para UT18007, deberán pedirse los ítemes #4, 15 & 16.
 * L'ordine del blocco corto per l'UT18007 deve comprendere gli articoli n. 4, 15, e 16.
 ** Your original carburetor may be identified as Walbro or Zama. Either replacement type will work with your Hedge Trimmer.
 ** Le carburateur d'origine est de marque Walbro ou Zama. L'un ou l'autre type de carburateur de rechange est compatible avec la taille-haie.
 ** Ihr Original-Vergaser kann ein Walbro- oder Zama-Vergaser sein. Beide Ersatzteilausführungen funktionieren mit Ihrem Heckentrimmer.
 ** El carburador original puede estar identificado como Walbro o Zama. Cualquiera de los dos repuestos sirve para el desmalezador.
 ** Il carburatore originale può essere Walbro o Zama. La cimatrice funziona con entrambi i ricambi.

N	P/N	D	Q
1	A 02571 B	COVER-Engine	1
2	82536	SCREW-Thread Form. (#8 X 3/4")	2
3	82541	SCREW-Thread Form. (#10 X 1/2")	1
4	82536	SCREW-Thread Form. (10-24 X 3/4")	3
5	00959	LEVER-Trigger	1
6	A 04270 A	FUEL TANK ASSEMBLY	1
7	A 00982 B	CAP-Fuel	1
8	94772 22	TUBING-Rubber (5 1/2")	1
9	98296	CLAMP-Wire	1
10	48422	FILTER-Fuel	1
11	98619	VALVE-Filter	1
12	01327	FITTING	A/R
13	94772 24	TUBING-Rubber (5 1/4")	1
14	00927 A	SPACER-Fuel Tank	1
15	01836 A	COVER-Crankcase	1
16	00946	GASKET-Crankcase	1

N	P/N	D	Q
17	A 02089 B	SHORT BLOCK*	1
18	A 01014 D	PISTON & ROD	1
19	00915	RING-Piston	1
20	A 01523 B	CYLINDER & MUFFLER ASSEMBLY	1
21	00059	GASKET-Cylinder	1
22	00921	SCREEN-Spark Arrestor	1
23	00920	BAFFLE-Muffler	1
24	00931	SPACER-Muffler	1
25	A 01636	COVER-Muffler	1
26	82540	SCREW-Thread Form. (8-32 X 1")	3
27	01971	SPACER	1
28	82550	KEY-Woodruff	1
29	82568	SCREW-Machine (10-24 X 3/4")	2
30	00832 A	GASKET-Heat Dam	1
31	81208	NUT-Hex (10-24)	2
32	00917 B	HEAT DAM	1
33	98766 A	GASKET-Carburetor	1
34*	A 00962 A	CARBURETOR (Walbro)	1
	A 00938 A	CARBURETOR (Zama)	1
35	82548 1	SCREW-Thread Form. (10-24 X 1")	2

No. N
 Nr. N
 No. N
 №

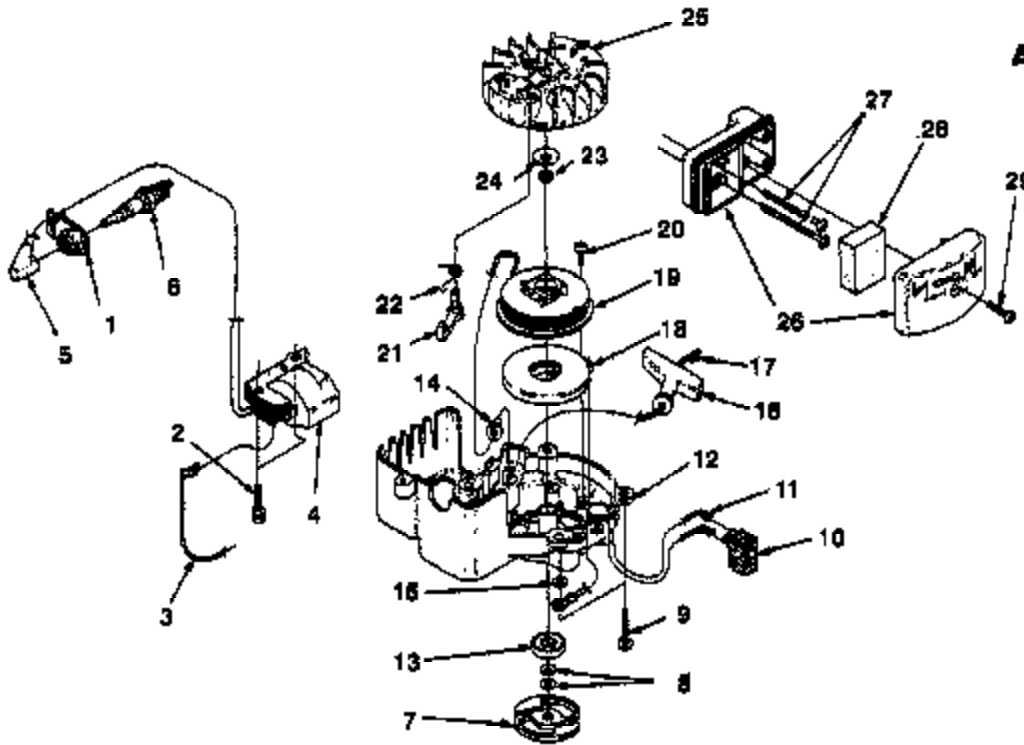
Part No. PN
 Pièce N° PN
 Teil Nr. PN
 No. de pieza PN
 Pezzo N° PN

DESCRIPTION — D

Quantity Q
 Quantités Q
 Menge Q
 Cantidad Q
 Quantità Q

Assemblies E
 Ensembles E
 Baugätze E
 Conjuntos E
 Complessi E

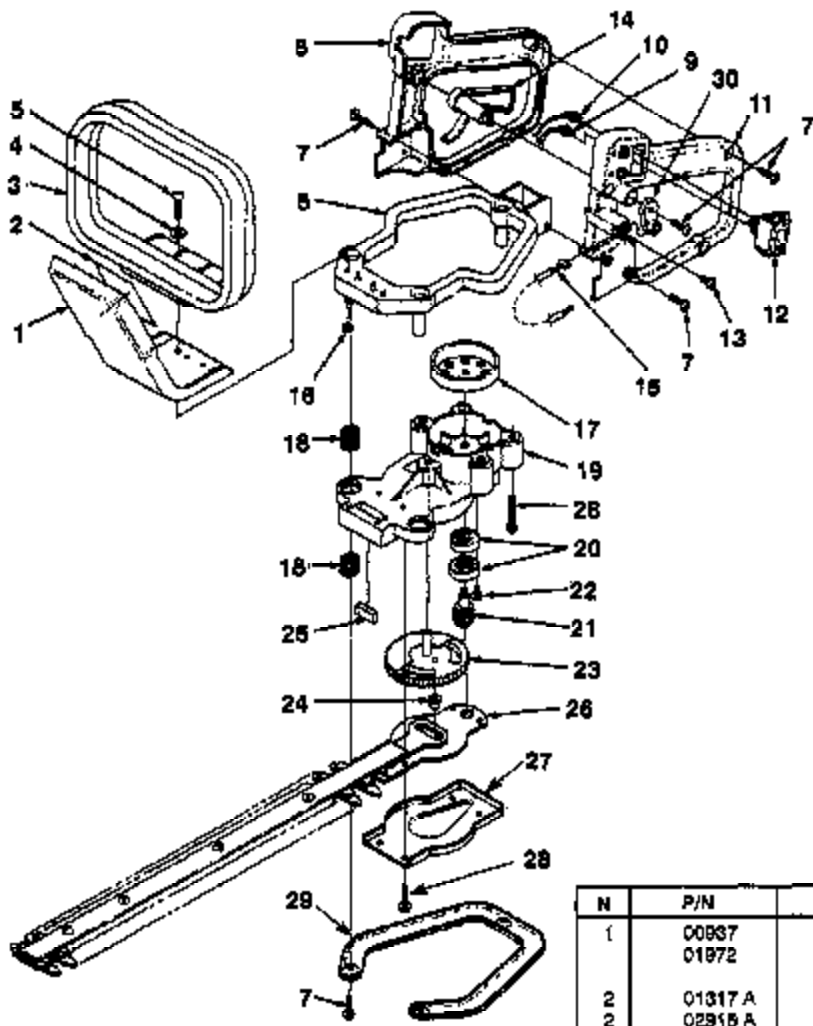
FIGURE 2
FIGURE 2
ABBILDUNG 2
FIGURA 2
FIGURA 2



N	P/N	D	Q
1	01010 A	SHIELD-Spark Plug	1
2	82540	SCREW-Thread Form. (8-32 X 1")	2
3	A 00942	LEAD-Electrical	1
	A 04448	IGNITION KIT	1
4	94711 CS	MODULE-Ignition	1
5	A 02597	SPARK PLUG BOOT KIT	1
6	96188 S	SPARK PLUG (DJ-7Y)	1
	79252	SPARK PLUG (RDJ-7Y) (HT17I, HT19I, HT21I)	1
7	03588 1	CLUTCH "S"	1
8	70786	WASHER-Belleville	2
9	82536	SCREW-Taprite (10-24 X 3/4")	4
10	00841	SWITCH	1
10	02497	SWITCH (HT-17I, HT-19I, HT-21I)	1
11	A00843	LEAD-Ground	1
12	A 01308 B	HOUSING-Engine & Pulley	1
13	98843	BEARING-Ball	1
14	98981 1A	BUSHING-Starter	1
15	84003	WASHER-Flat (#10)	1
16	02264	GRIP-Starter Rope	1
17	97693 D2	ROPE-Starter (42')	1
18	A 97808	SPRING & CONTAINER	1
19	00824	PULLEY-Starter	1
20	82541	SCREW-Thread Form. (#10 X 1/2")	2
21	00828	PAWL-Starter	1
22	00828	SPRING-Torsion	1
23	81191	NUT-Hex (7/16-20)	1
24	01325	WASHER-Conical	1
25	00923	ROTOR	1
26	A 00335 A	AIR FILTER HOUSING	1
27	82542	SCREW-Machine (10-24 X 2 1/4")	2
28	00834	FILTER-Air	1
29	82368	SCREW-Thread Form. (#8 X .750)	1



FIGURE 3
FIGURE 3
ABBILDUNG 3
FIGURA 3
FIGURA 3



N	P/N	D	Q
1	00937	GUARD-Hand (HX18, HT17, HT19)	1
	01972	GUARD-Hand (HT21, HT171, HT191, HT211, HT22)	1
2	01317 A	DECAL- Caution	1
2	02918 A	DECAL-Warning (HT171, HT191, HT211)	1
3	00938 A	HANDLE-Front	1
4	86248	WASHER-Flat (10-24)	2
5	82538	SCREW-Thread Form. (10-24 X 3/4")	2
6	01007	BASE-Vibration Isolator	1
7	82538	SCREW-Thread Form. (#8 X 3/4")	7
8	00938	HANDLE-Rear (Right)	1
9	A 00942	LEAD-Electrical	1
10	A 00943	LEAD-Ground	1
11	00939	HANDLE-Rear (Left)	1
12	00941	SWITCH	1
	02487	SWITCH (HT171, HT191, HT211)	1
13	82541	SCREW-Thread Form. (#10 X 1/2")	1
14	00958 A	TRIGGER	1
15	01973	CABLE-Throttle	1
16	81206	NUT-Hex (10-24)	2
17	00949 B	DRUM-Clutch	1
18	01009	SPRING-Compression	6
19	A 01526	GEAR BOX ASSEMBLY	1
20	86843	BEARING-Ball	2
21	A 01313	PINION & SCREW ASSEMBLY	1
22	82541	SCREW-Thread Form. (#10 X 1/2")	1
23	A 01312	GEAR & PIN ASSEMBLY	1
24	00955	BUSHING	1
25	00935	BLADE-Steel	1
26	A 00936 A	BLADE ASSY. (HX18, HT17, HT171)	1
	02741	BLADE ASSY. (HT19, HT191)	1
	A 01841 A	BLADE ASSY. (HT21, HT211)	1
	04898	BLADE ASSY. (HT22)	1
27	00954	COVER-Gear Box	1
28	82537	SCREW-Thread Form. (#10 X 7/8")	4
29	01013	BRACE	1
30	00959	LEVER-Trigger	1

No. Nr. No. No. N°	-	Part No. Pièce N° Teil Nr. No. de pieza Pezzo N°	-	PN	-	DESCRIPTION	-	D
Quantity Quantité Menge Cantidad Quantità	-	Assemblies Ensembles Bauteile Conjuntos Complessi	-	Q				