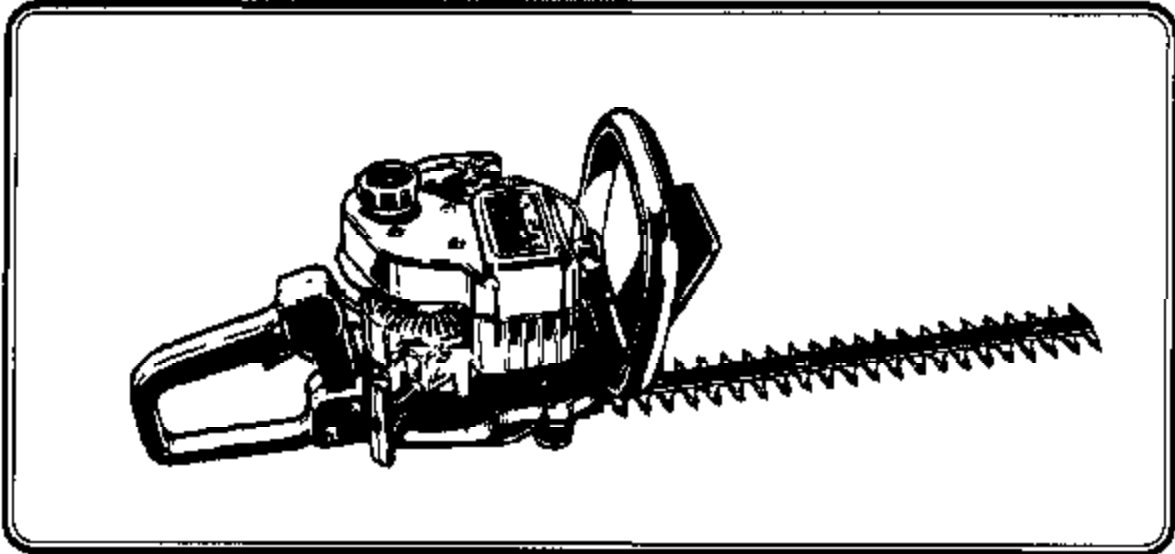


Homelite®

PARTS LIST



HX 16

Shrub Shaper 17™

HT 22

Shrub Shaper 21™

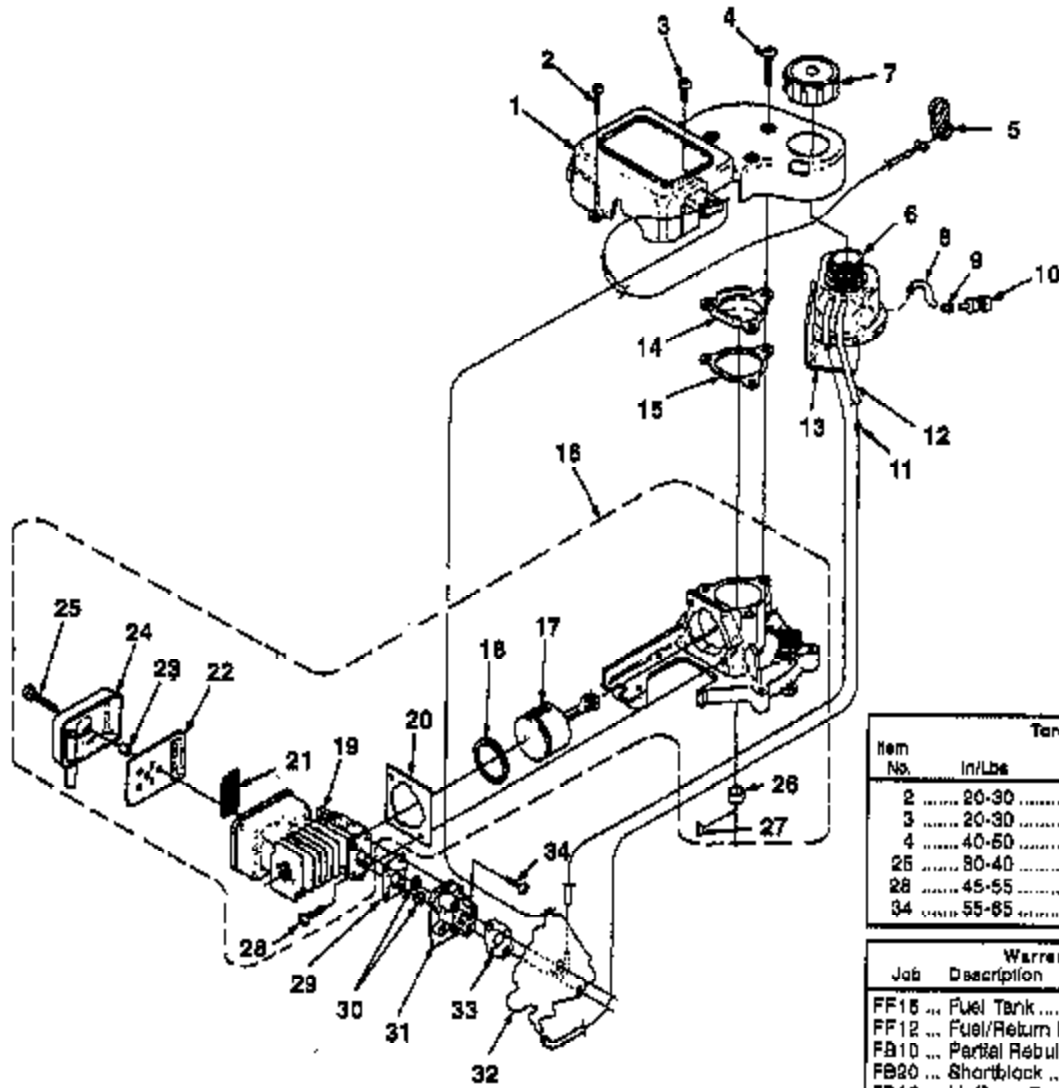
UT18022 D

UT18022 E

UT18029 C

UT18029 D

ENGINE INTERNAL - FUEL TANK - MUFFLER - CARBURETOR

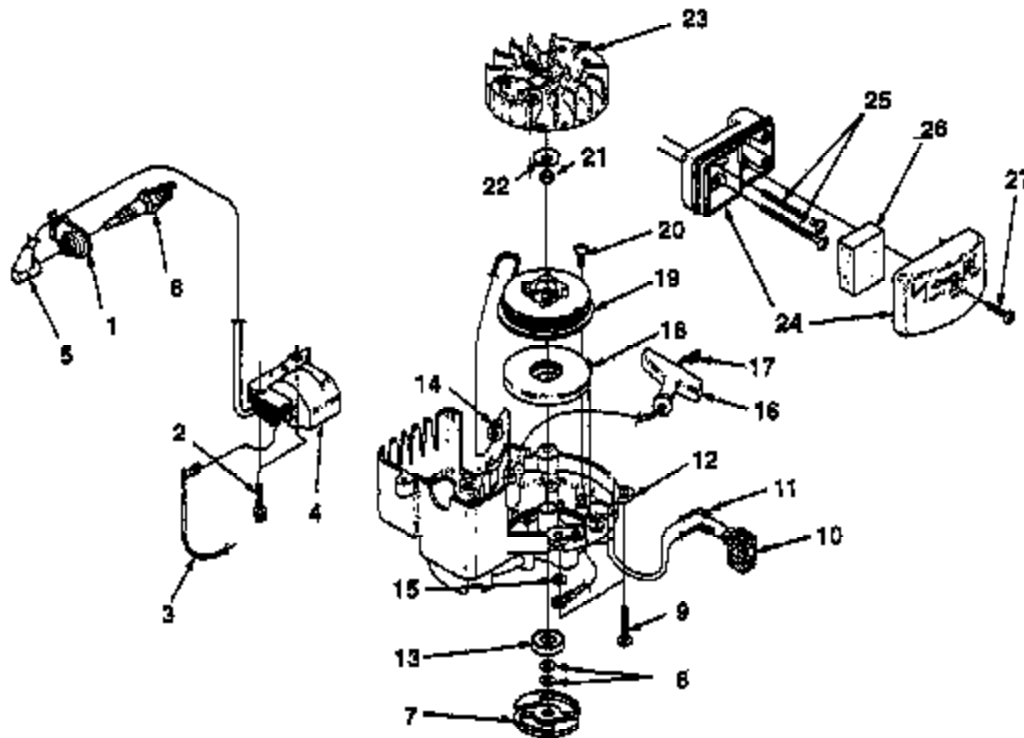


| Torque Specs | | | |
|--------------|--------|---------|-----------------|
| Item No. | In/Lbs | Nm | Required Locite |
| 2 | 20-30 | 2.3-3.4 | |
| 3 | 20-30 | 2.3-3.4 | |
| 4 | 40-60 | 4.5-5.6 | Red 262 |
| 25 | 80-40 | 3.4-4.5 | |
| 28 | 45-55 | 5.1-6.2 | |
| 34 | 55-85 | 6.2-7.3 | |

| Warranty Flat Rate | | |
|--------------------|-----------------------|----------|
| Job | Description | Time/Hr. |
| FF15 | Fuel Tank | .3 |
| FF12 | Fuel/Return Line | .3 |
| FB10 | Partial Rebuild | 1.0 |
| FB20 | Shortblock | 1.0 |
| FB18 | Muffler - Replace | .3 |
| FD25 | Crankcase Cover | .3 |
| FF10 | Carburetors - Replace | .3 |
| FF17 | Manifold | .3 |

| No. | Part No. | Description | Qty. | No. | Part No. | Description | Qty. |
|-----|------------|-----------------------------------|------|-----|----------|---------------------------------|------|
| 1 | A 08178 | COVER-Engine | 1 | 16 | A 08217 | SHORT BLOCK | 1 |
| 2 | 82638 | SCREW-Thread Form. (#8 X 3/4") | 2 | 17 | A 08479 | PISTON & ROD | 1 |
| 3 | 82641 | SCREW-Thread Form. (#10 X 1/2") | 1 | 18 | 08478 | RING-Piston | 1 |
| 4 | 82838 | SCREW-Thread Form. (10-24 X 3/4") | 3 | 19 | A 08211 | CYLINDER & MUFFLER ASSEMBLY | 1 |
| 6 | 00959 A | LEVER-Trigger | 1 | 20 | 08159 | GASKET-Cylinder | 1 |
| 8 | A 08464 | FUEL TANK ASSEMBLY | 1 | 21 | 00921 | SCREEN-Spark Arrestor | 1 |
| 7 | DA 00099 A | CAP-Fuel | 1 | 22 | 00920 | BAFFLE-Muffler | 1 |
| 8 | 01438 21 | TUBING-Rubber (5 1/2") | 1 | 23 | 00931 | SPACER-Muffler | 1 |
| 9 | 86288 | CLAMP-Wire | 1 | 24 | A 01838 | COVER-Muffler | 1 |
| 10 | 48422 | FILTER-Fuel | 1 | 25 | 82540 | SCREW-Thread Form. (8-32 X 1") | 3 |
| 11 | 01327 | FITTING | A/R | 26 | 01971 | SPACER | 1 |
| 12 | 94772 25 | TUBING-Rubber (6 1/4") | 1 | 27 | 89250 | KEY-Woodruff | 1 |
| 13 | 00827 A | SPACER-Fuel Tank | 1 | 28 | 82588 | SCREW-Machine (10-24 X 3/4") | 2 |
| 14 | A 04820 A | CRANKCASE COVER | 1 | 29 | 00982 B | GASKET-Heat Dam | 1 |
| 15 | 00946 | GASKET-Crankcase | 1 | 30 | 81208 | NUT-Hex (10-24) | 2 |
| | | | | 31 | 00917 C | HEAT DAM | 1 |
| | | | | 32 | A 08212 | CARBURETOR KIT | 1 |
| | | | | 33 | 98768 A | GASKET-Carburetor | 1 |
| | | | | 34 | 82548 1 | SCREW-Thread Form. (10-24 X 1") | 2 |

IGNITION - STARTER - AIR CLEANER - CLUTCH



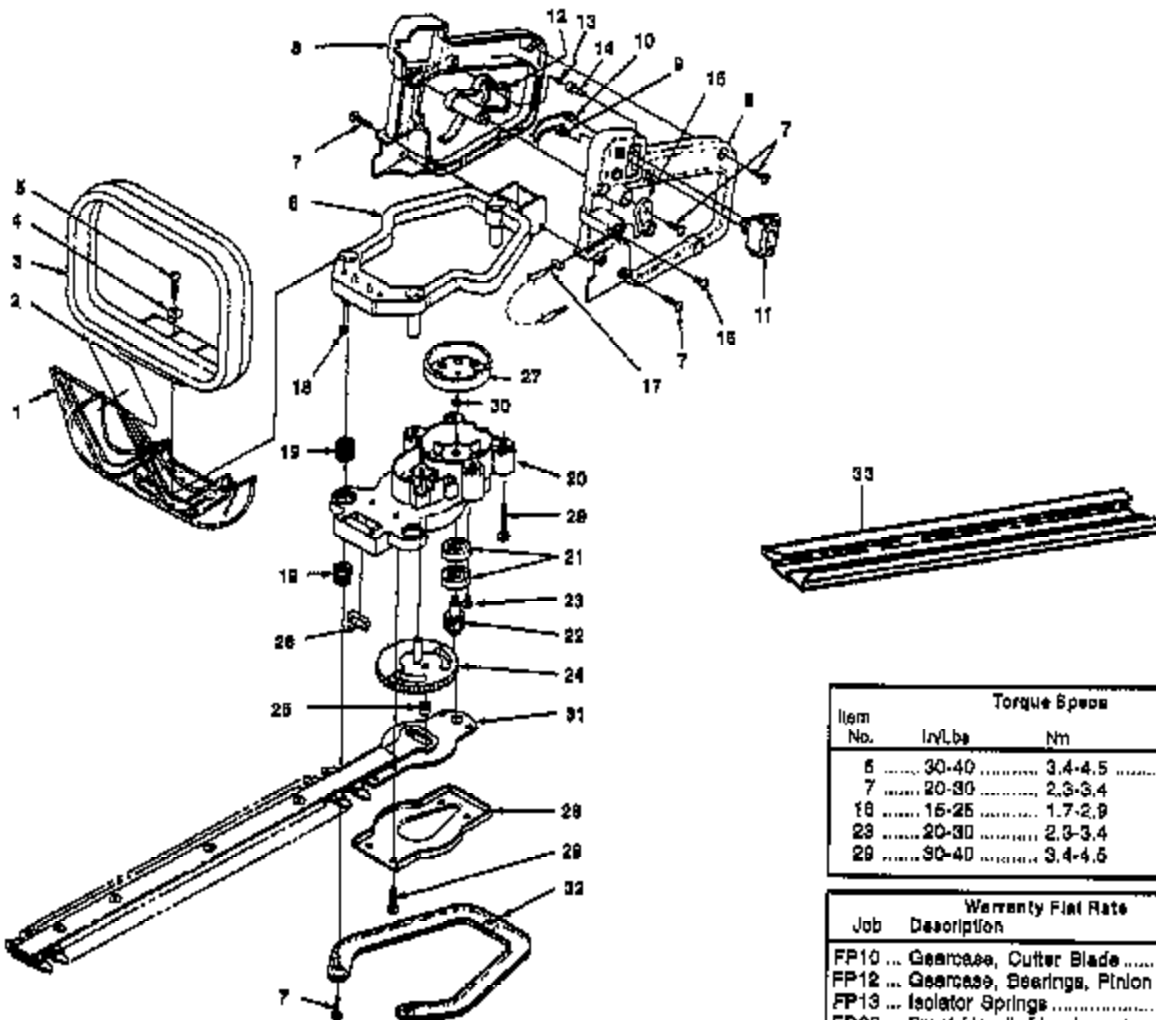
| No. | Part No. | Description | Qty. |
|-----|------------|---------------------------------|------|
| 1 | 01010 A | SHIELD-Spark Plug | 1 |
| 2 | 82540 | SCREW-Thread Form. (8-32 X 1") | 2 |
| 3 | A 00942 | LEAD-Electrical | 1 |
| | A 04448 | IGNITION KIT | 1 |
| 4 | A 94711 CS | MODULE-Ignition | 1 |
| 6 | A 02697 | SPARK PLUG BOOT KIT | 1 |
| 8 | 98189 S | SPARK PLUG (DJ-7Y) | 1 |
| 7 | 09598 1 | CLUTCH "S" | 1 |
| 8 | 70788 | WASHER-Bellville | 2 |
| 9 | 82538 | SCREW-TapLite (10-24 X 3/4") | 4 |
| 10 | 00941 | SWITCH | 1 |
| 11 | A 00949 | LEAD-Ground | 1 |
| 12 | A 05183 A | HOUSING-Engine & Pulley | 1 |
| 13 | 86849 | BEARING-Ball | 1 |
| 14 | 86881 1A | BUSHING-Starter | 1 |
| 15 | 84000 | WASHER-Flat (#10) | 1 |
| 16 | 06598 A | GRIP-Starter Rope | 1 |
| 17 | 97899 02 | ROPE-Starter (42") | 1 |
| 18 | A 97908 | SPRING & CONTAINER | 1 |
| 18 | 00824 | PULLEY-Starter | 1 |
| 20 | 82541 | SCREW-Thread Form. (#10 X 1/2") | 2 |
| 21 | 81181 | NUT-Hex (7/16-20) | 1 |
| 22 | 01325 | WASHER-Conical | 1 |
| 23 | A 01015 A | ROTOR | 1 |
| 24 | A 00395 A | AIR FILTER HOUSING | 1 |
| 25 | 82542 | SCREW-Machine (10-24 X 2 1/4") | 2 |
| 26 | 00834 | FILTER-Air | 1 |
| 27 | 82388 | SCREW-Thread Form. (#8 X .750) | 1 |

| Item No. | Torque Specs | | Required Loc/Its |
|----------|--------------|-----------|------------------|
| | in/Lbs | Nm | |
| 2 | 30-40 | 3.4-4.5 | |
| 6 | 120-180 | 13.6-20.3 | |
| 8 | 40-50 | 4.5-5.6 | Rad 262 |
| 20 | 20-30 | 2.3-3.4 | |
| 21 | 180-200 | 20.3-22.6 | |
| 25 | 30-40 | 3.4-4.5 | |
| 27 | 20-30 | 2.3-3.4 | |

| Warranty Flat Rate | | |
|--------------------|---------------------|----------|
| Job | Description | Time/Hr. |
| FD12 | Engine Housing | .6 |
| FG10 | Starter Manual | .6 |
| FA11 | Ignition Module | .5 |
| FA12 | Ground Lead | .5 |
| FA17 | Ignition Switch | .6 |
| FC10 | Clutch Assembly | .3 |
| FP42 | Air Filter Assembly | .2 |

11/11/87

HANDLES - GEAR BOX - BLADES



| Item No. | Torque Specs | | Required Loctite |
|----------|--------------|---------|------------------|
| | In/Lbs | Nm | |
| 6 | 30-40 | 3.4-4.5 | Red 262 |
| 7 | 20-30 | 2.3-3.4 | |
| 16 | 15-25 | 1.7-2.9 | |
| 23 | 20-30 | 2.3-3.4 | |
| 29 | 30-40 | 3.4-4.5 | |

| Job | Description | Warranty Flat Rate | |
|------|----------------------------|--------------------|--|
| | | Time/hr. | |
| FP10 | Gearcase, Cutter Blade | 3 | |
| FP12 | Gearcase, Bearings, Pinion | 6 | |
| FP13 | Isolator Springs | 3 | |
| FD20 | Front Handle/Handguard | 3 | |
| FD24 | Rear Handle Assembly | 6 | |
| FF13 | Trigger/Throttle Cable | 3 | |
| FC12 | Clutch Drum - Replace | 3 | |

| No. | Part No. | Description | Qty. |
|-----|----------|-----------------------------------|------|
| 1 | 01872 | GUARD-Hand | 1 |
| 2 | 02745 | DECAL-Caution | 1 |
| | 02815 A | DECAL-Warning | 1 |
| 3 | 00938 A | HANDLE-Front | 1 |
| 4 | 95249 | WASHER-Flat (10-24) | 2 |
| 5 | 82698 | SCREW-Thread Form. (10-24 X 3/4") | 2 |
| 6 | 01007 | BASE-Vibration Isolator | 1 |
| 7 | 82698 | SCREW-Thread Form. (#8 X 3/4") | 7 |
| 8 | A 09232 | HANDLE Assembly | 1 |
| 9 | A 00942 | LEAD-Electrical | 1 |
| 10 | A 00943 | LEAD-Ground | 1 |
| 11 | 02497 | SWITCH | 1 |
| 12 | 08918 | TRIGGER | 1 |
| 13 | 08920 | SPRING | 1 |
| 14 | 08918 | BUTTON-Lock | 1 |
| 15 | 00859 A | LEVER, Trigger | 1 |
| 16 | 82541 | SCREW-Thread Form. (#10 X 1/2") | 1 |
| 17 | 01873 | CABLE-Throttle | 1 |
| 18 | 81208 | NUT-Hex (10-24) | 2 |
| 19 | 01009 | SPRING-Compression | 8 |

| No. | Part No. | Description | Qty. |
|-----|-----------|---------------------------------|------|
| 20 | A 01526 A | GEAR BOX ASSEMBLY | 1 |
| | UP00087 | GEAR BOX BASE ASSEMBLY | 1 |
| 21 | 08843 | BEARING-Ball | 2 |
| 22 | A 01313 | PINION & SCREW ASSEMBLY | 1 |
| 23 | 82541 | SCREW-Thread Form. (#10 X 1/2") | 1 |
| 24 | A 01312 | GEAR & PIN ASSEMBLY | 1 |
| 25 | 00955 | BUSHING | 1 |
| 26 | 00935 | BLADE-Bear | 1 |
| 27 | 00949 B | DRUM-Clutch | 1 |
| 28 | 00954 | COVER-Gear Box | 1 |
| 29 | 82537 | SCREW-Thread Form. (#10 X 7/8") | 10 |
| 30 | 07487 | WASHER | 1 |
| 31 | 07210 | BLADE ASSY (17") | 1 |
| | A 01841 A | BLADE ASSY (21") | 1 |
| 32 | 01018 | BRACE | 1 |
| 33 | 08922 01 | GUARD-Blade (17") | 1 |
| | 08922 02 | GUARD-Blade (21") | 1 |