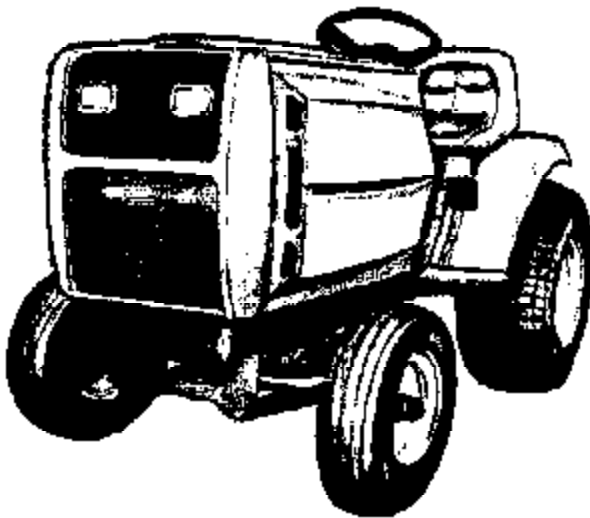


PARTS LIST

HYDRO TRACTORS



MODELS: GT12H
UT-34002-A

GT14H
UT-34003-A

GT16H
UT-34004-A

HOMELITE® JACOBSEN

⚠ WARNING

IF INCORRECTLY USED THIS MACHINE CAN CAUSE SEVERE INJURY. THOSE WHO USE AND MAINTAIN THE MACHINE SHOULD BE TRAINED IN ITS PROPER USE, WARNED OF ITS DANGERS, AND SHOULD READ THE ENTIRE MANUAL BEFORE ATTEMPTING TO SET UP, OPERATE, ADJUST OR SERVICE THE MACHINE.

FIGURE 1
FRAME & TRANSAXLE

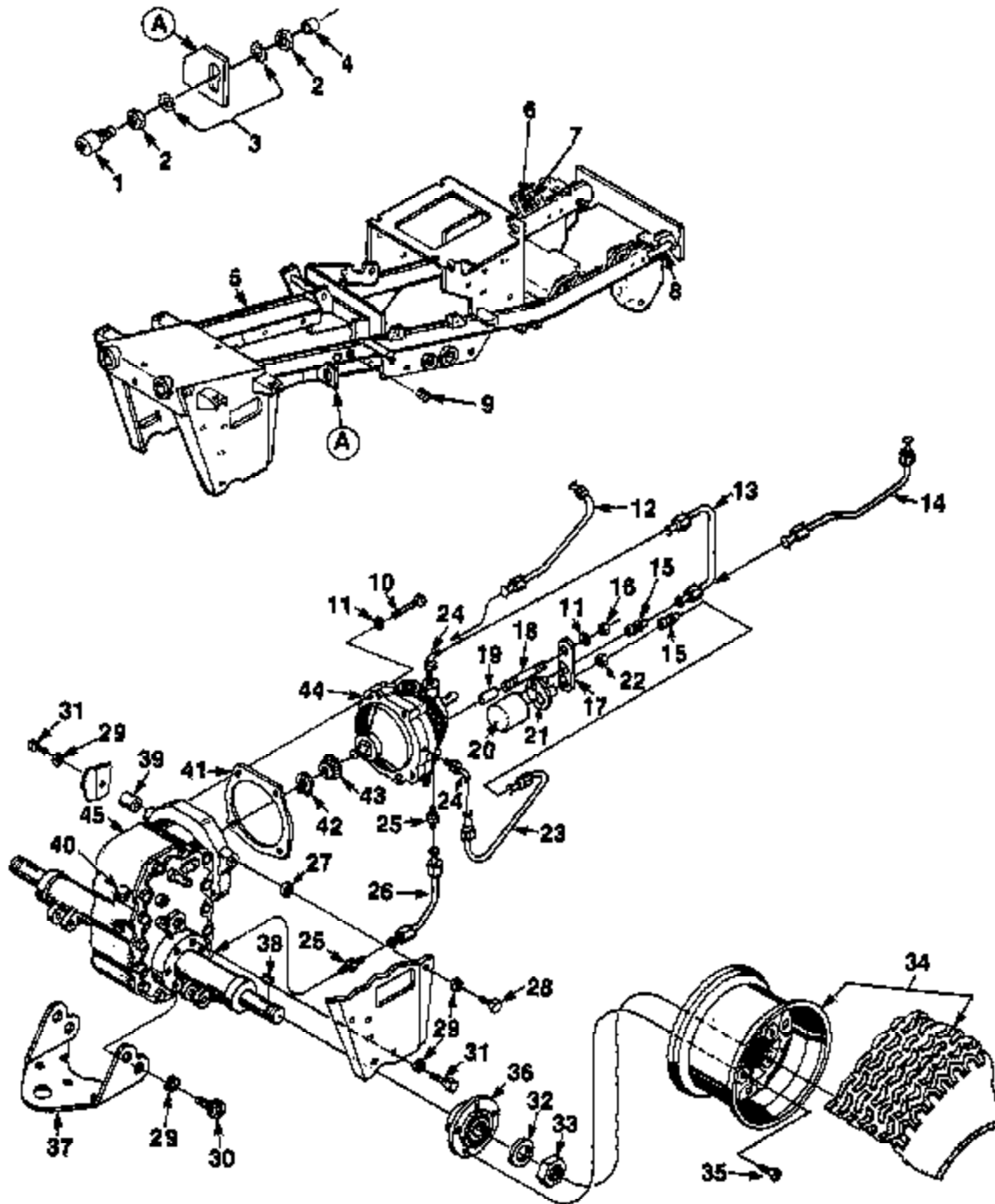


FIGURE 1 PARTS LIST

NO.	PART NO.	QTY.	DESCRIPTION
1	JA-12033-0	1	SWITCH- Safety
2	JA-34378-4	2	NUT- Safety switch mounting
3	JA-44702-2	2	WASHER- Lock 5/8 ext. tooth
4	JA-34378-5	1	BOOT- Safety switch
5	JA-11643-1	1	FRAME ASSEMBLY
6	JA-45350-7	16	RIVET
7	JA-35938-4	4	ISOLATOR- Engine
8	JA-33881-4	2	DECAL- Warning (heat)
9	JA-35249-7	1	BUSHING- Strain relief
10	JA-40028-8	3	SCREW- 3/8-18 x 2 3/4 hex hd.
11	JA-44614-2	5	WASHER- Lock 3/8 hvy.
12	JA-11842-9	1	TUBE ASSEMBLY Hydro to valve (14 & 18 H.P.)
13	JA-12988-4	1	TUBE ASSEMBLY- Filter hydro (12 H.P.)
14	JA-12410-4	1	TUBE ASSEMBLY- Valve to filter (14 & 18 H.P.)
16	JA-35247-7	2	CONNECTOR- Male (tube to filter)
18	JA-44311-0	1	NUT- 3/8-18 hex jam. (Filter to hydro)
17	JA-35247-5	1	BRACKET- Filter mounting
18	JA-35247-6	1	STUD- Filter to hydro mtg.
19	JA-35247-4	1	SPACER- Filter mtg.
20	JA-13036-6	1	FILTER ASSEMBLY- Filter to hydro
21	JA-12888-8	1	BASE ASSEMBLY- Filter mtg.
22	JA-44474-2	1	NUT- 3/4-18 hex (filter to bracket)
23	JA-12988-2	1	TUBE ASSEMBLY- Filter to hydro
24	JA-35110-7	2	MALE ELBOW
25	JA-35094-7	2	CONNECTOR- Male 37° flare
26	JA-36094-6	1	TUBE- Hydrogear to transaxle
27	JA-31274-8	A/R	SPACER
28	JA-40040-4	1	SCREW- 1/2-13 x 1 hex hd.
29	JA-44615-4	6	WASHER- Lock, 1/2 hvy.
30	JA-40042-8	2	SCREW- 1/2-18 x 2 3/4 hex hd.
31	JA-40041-0	3	SCREW- 1/2-18 x 1 3/4 hex hd.
32	JA-44616-6	2	WASHER- Lock- 1 1/8 med.
33	JA-44384-2	2	NUT- 1 1/8-12 hex jam
34	JA-18179-7	1	WHEEL & TIRE ASSEMBLY (Rear) (14 & 18 H.P.)
	JA-18183-3	1	WHEEL & TIRE ASSEMBLY (Rear) (12 H.P.)
35	JA-31620-8	10	BOLT- Rear wheel
36	JA-21808-0	2	HUB- Rear wheel
37	JA-33051-5	1	DRAW BAR ASSEMBLY
38	JA-46309-9	2	KEY- 1/4 x 1 1/8 woodruff
39	JA-35188-2	1	SPACER
40	JA-35131-3	1	VENT- Air
41	JA-36094-6	1	GASKET- Hydrogear
42	JA-46800-9	1	RING- Retaining
43	JA-33516-6	1	BEVEL PINION
**44	JA-11842-5	1	HYDROGEAR ASSEMBLY
**45	JA-11825-6	1	TRANSAXLE ASSEMBLY

A/R - As Required.

* - See figure 13 for complete parts break down.

** - See figure 12 for complete parts break down.

FIGURE 2
BRAKE & LINKAGE

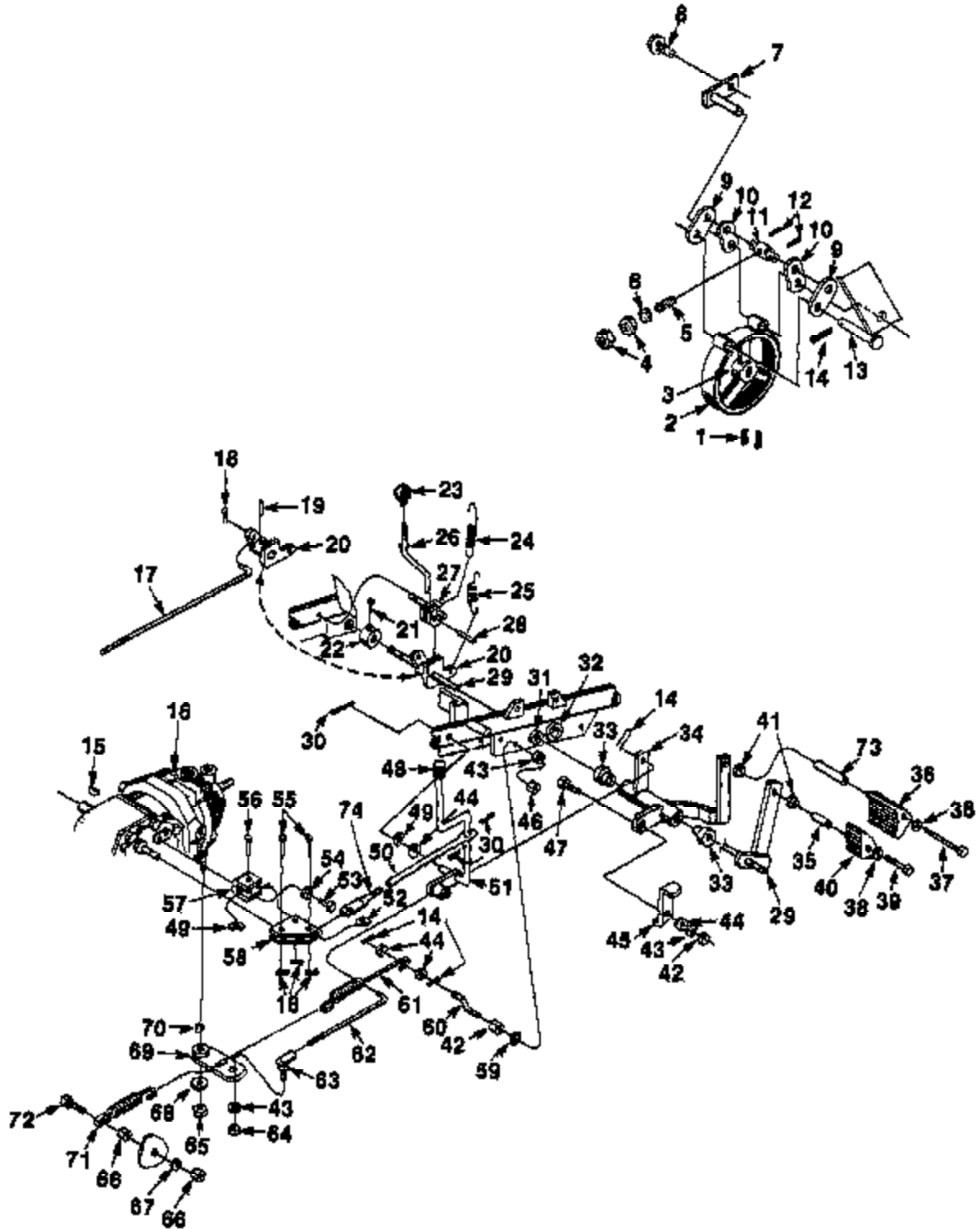


FIGURE 2 PARTS LIST

NO	PART NO	QTY	DESCRIPTION
1	JA-41551-9	2	SCREW- 5/16-18 x 3/8 ext
2	JA-12979-3	1	BRAKE BAND & LINING ASSEMBLY
3	JA-21809-9	1	DRUM- Brake
4	JA-44471-6	2	NUT- 5/16-18 hex C/lock
5	JA-35195-8	1	SPRING- Compression
6	JA-45300-9	1	WASHER- 5/16 SAE Flat
7	JA-16207-7	1	PIVOT BAND ASSEMBLY
8	JA-40800-2	1	SCREW- 1/4-20 x 1/2 w/washer
9	JA-35939-2	2	LINK- Brake long
10	JA-35939-3	2	LINK- Brake short
11	JA-35939-5	1	PIN- Connecting
12	JA-48137-1	2	PIN- Roll 5/32 x 3/4
13	JA-46149-0	1	PIN- 1/2 x 1 3/4 clevis
14	JA-46002-8	4	PIN- 1/8 x 1 cotter
15	JA-46301-7	1	KEY- 3/16 x 3/4 woodruff
*16	JA-11625-9	1	TRANSAXLE ASSEMBLY
17	JA-35970-9	1	ROD- Brake
18	JA-46001-4	4	PIN- 3/32 x 3/4 cotter
19	JA-46139-7	1	PIN- 1/4 x 1 1/4 roll
20	JA-16191-2	1	BRAKE LOCK SECTOR ASSEMBLY
21	JA-41200-4	1	SCREW- 1/4-20 x 3/8 ext
22	JA-34312-0	1	Collar
23	JA-31620-9	1	KNOB- Parking brake
24	JA-35915-3	1	SPRING- Brake lock release
25	JA-34527-2	1	SPRING- Brake pedal return
26	JA-35804-1	1	ROD- Brake lock actuator
27	JA-16209-5	1	BRAKE LOCK PAWL ASSEMBLY
28	JA-46135-7	1	PIN- 1/8 x 5/8 roll
29	JA-13060-2	1	BRAKE ARM ASSEMBLY (14 & 18 H P)
	JA-13069-6	1	ARM- Brake (12 H P)
30	JA-46002-6	3	PIN- 1/8 x 3/4 cotter
31	JA-34613-3	2	BUSHING- Brake shaft pivot
32	JA-36150-6	2	BUSHING- Lift shaft pivot
33	JA-34613-3	2	BUSHING
34	JA-16179-4	1	SPEED CONTROL ASSEMBLY
35	JA-35251-4	1	SPACER- Brake pedal
36	JA-34489-5	1	PEDAL- Hydro
37	JA-40039-0	1	SCREW- 7/16-20 x 4 1/2 hex hd

NO	PART NO.	QTY	DESCRIPTION
38	JA-45301-3	2	WASHER- 7/16
39	JA-40038-8	1	SCREW- 7/16-20 x 3 hex hd
40	JA-34502-0	1	PEDAL- Brake
41	JA-44614-6	2	WASHER- Lock 7/16 hvy
42	JA-44478-2	2	NUT- 3/8-16 hex C/lock
43	JA-44614-2	3	WASHER- Lock 3/8 hvy
44	JA-45301-1	4	WASHER- 3/8 SAE
45	JA-85171-1	1	ARM- Reverse
46	JA-44311-0	1	NUT- 3/8-16 hex jam
47	JA-40029-2	1	SCREW- 3/8-16 hex hd
48	JA-35183-7	1	KNOB- Shift lever
49	JA-45401-2	2	WASHER- Shakeproof
50	JA-35959-1	1	ROD- Shift
51	JA-14209-2	1	LEVER ASSY- Hydro shaft
52	JA-45402-8	1	WASHER- Shakeproof
53	JA-40010-8	2	SCREW- 1/4-20 x 5/8 hex hd
54	JA-44613-0	2	WASHER- Lock, 1/4 hvy
55	JA-35214-2	2	PIN
56	JA-46146-7	1	PIN- 3/8 x 1 1/4 clevis
57	JA-35157-3	1	BRACKET- Bell crank mounting
58	JA-33922-7	1	CRANK- Bell
59	JA-44721-6	1	WASHER- Lock 3/8 int tooth
60	JA-35250-0	1	STUD- Cranked hydro control spring mtg
61	JA-35260-1	1	SPRING- Hydro control
62	JA-33527-2	1	ROD- Speed control
63	JA-31006-9	1	JOINT- Ball
64	JA-44811-2	1	NUT- 3/8-24 hex
65	JA-44475-8	1	NUT- 1/2-13 hex
66	JA-44380-6	2	NUT- 5/16-18 hex
67	JA-44613-6	1	WASHER- Lock 5/16 hvy
68	JA-46301-7	1	WASHER- 1/2 flat SAE
69	JA-15899-2	1	HYDRO ACTUATING ARM ASSY
70	JA-46300-5	1	KEY- 1/8 x 5/8 woodruff
71	JA-35055-8	1	SPRING- Hydro control neutralizer
72	JA-40019-0	1	SCREW- 5/16-18 x 1 1/4 hex hd
73	JA-35251-3	1	SPACER- Hydro pedal
74	JA-36958-2	1	PIN- Adjusting

* See figure 12 for complete service parts breakdown.

FIGURE 3
ENGINE & DRIVE SHAFT

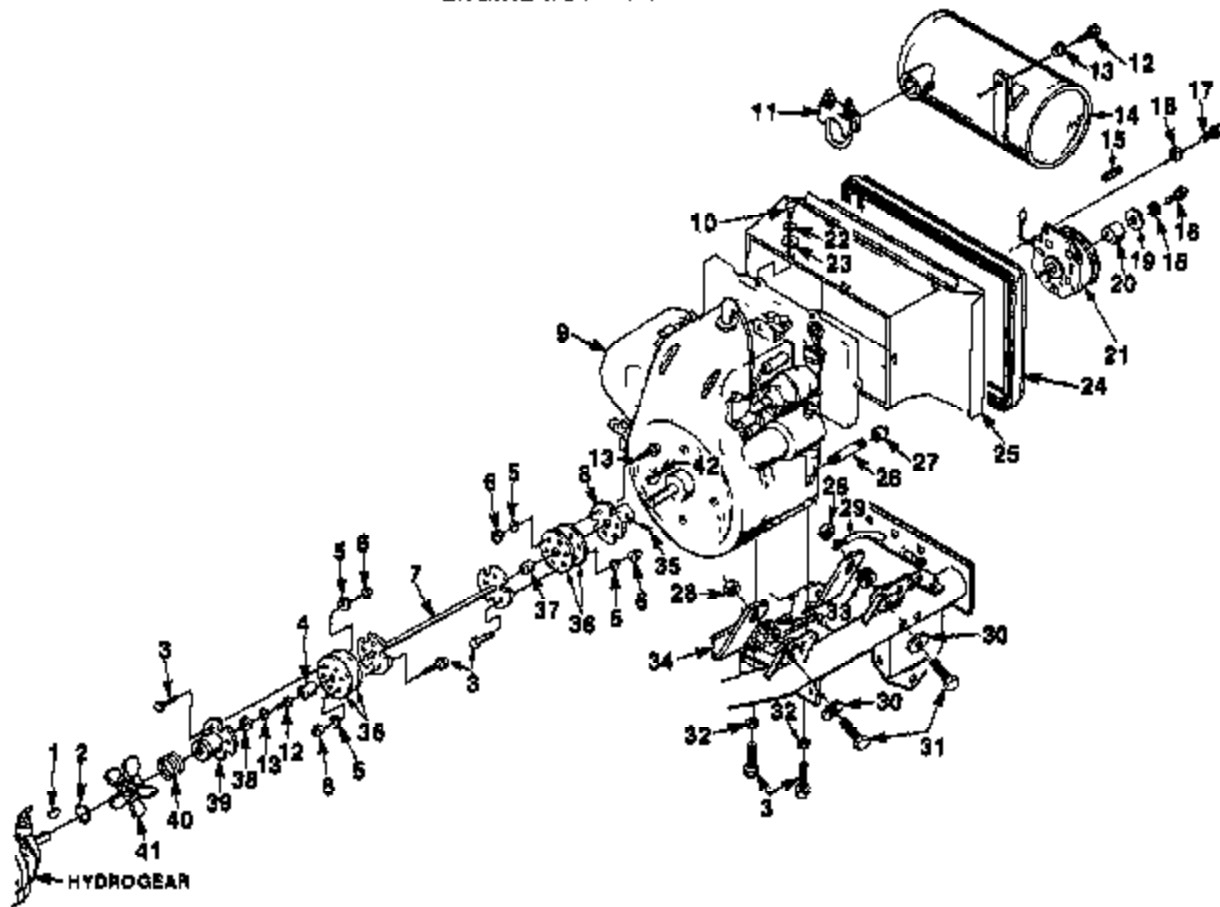


FIGURE 3
PARTS LIST

NO.	PART NO	QTY	DESCRIPTION
1	JA-46302-9	1	KEY- 3/16 x 5/8 woodruff
2	JA-45845-6	1	RING- Retaining
3	JA-40028-2	12	SCREW- 3/8-16 x 1 hex hd
4	JA-31357-7	1	BEARING- Drive shaft pivot
5	JA-45301-1	12	WASHER- 3/8 flat
6	JA-44476-2	12	NUT- 3/8-16 hex C/lock
7	JA-12964-3	1	COUPLING SHAFT ASSEMBLY
8	JA-12964-4	1	FRONT COUPLING ASSEMBLY
9	JA-99030-5	1	ENGINE- Kohler K-341, AQS, 18 H P
	JA-99030-7	1	ENGINE- Kohler K-301 AQS 12 H P
	JA-99030-8	1	ENGINE- Kohler K-321, AQS, 14 H P
10	JA-40010-6	6	SCREW- 1/4-20 x 5/8
11	JA-34886-9	1	CLAMP- Muffler mounting
12	JA-40018-8	1	BOLT- 5/16-18 x 7/8
13	JA-44613-5	2	WASHER- Lock 5/16 hvy
14	JA-35863-0	1	MUFFLER ASSEMBLY
15	JA-39184-9	1	KEY- Electric clutch mtg
16	JA-44614-6	1	LOCKWASHER- 7/16 hvy
17	JA-40093-0	4	SCREW- 7/16 x 3/4 hex hd
18	JA-40037-2	1	SCREW- 7/16 x 20 x 1 1/4 hex hd
19	JA-34584-8	1	WASHER- Clutch retainer
20	JA-35183-3	1	SPACER- Electric clutch mtg
21	JA-89037-8	1	ELECTRIC P T O Clutch brake
22	JA-44612-0	6	LOCKWASHER- 1/4 hvy

NO	PART NO	QTY	DESCRIPTION
23	JA-45200-4	8	WASHER- 1/4 flat
24	JA-35885-8	1	SEAL- Engine duct
25	JA-12197-0	1	AIR DUCTING ASSY (Inc ref #24)
26	JA-47177-2	1	NIPPLE- 1/4 NPT 3" long
27	JA-47244-7	1	CAP- 1/4 NPT Pipe
28	JA-44481-0	4	NUT- 3/8-16 hex flax lock
29	JA-99229-0	1	GROUND ENGINE TO FRAME
30	JA-35806-5	4	WASHER
31	JA-40027-0	4	BOLT- 3/8-16 x 2 hex hd
32	JA-44814-2	4	LOCKWASHER- 3/8 hvy
33	JA-45200-8	A/R	WASHER- 3/8 flat
34	JA-39608-2	2	BRACKET- Engine mtg
35	JA-41203-3	1	SCREW- 3/8-18 x 1/2 sq hd eat
36	JA-35075-5	4	DISC- Coupling
37	JA-36183-4	1	BUSHING- Drive shaft pivot
38	JA-30853-7	1	WASHER
39	JA-15848-3	1	COUPLING ASSEMBLY
40	JA-31731-8	1	SPRING FAN MOUNTING
41	JA-33521-9	1	FAN
42	JA-46302-5	1	KEY- 3/16 x 1 woodruff

FIGURE 4
POWER TAKE OFF ASSEMBLY (PTO)

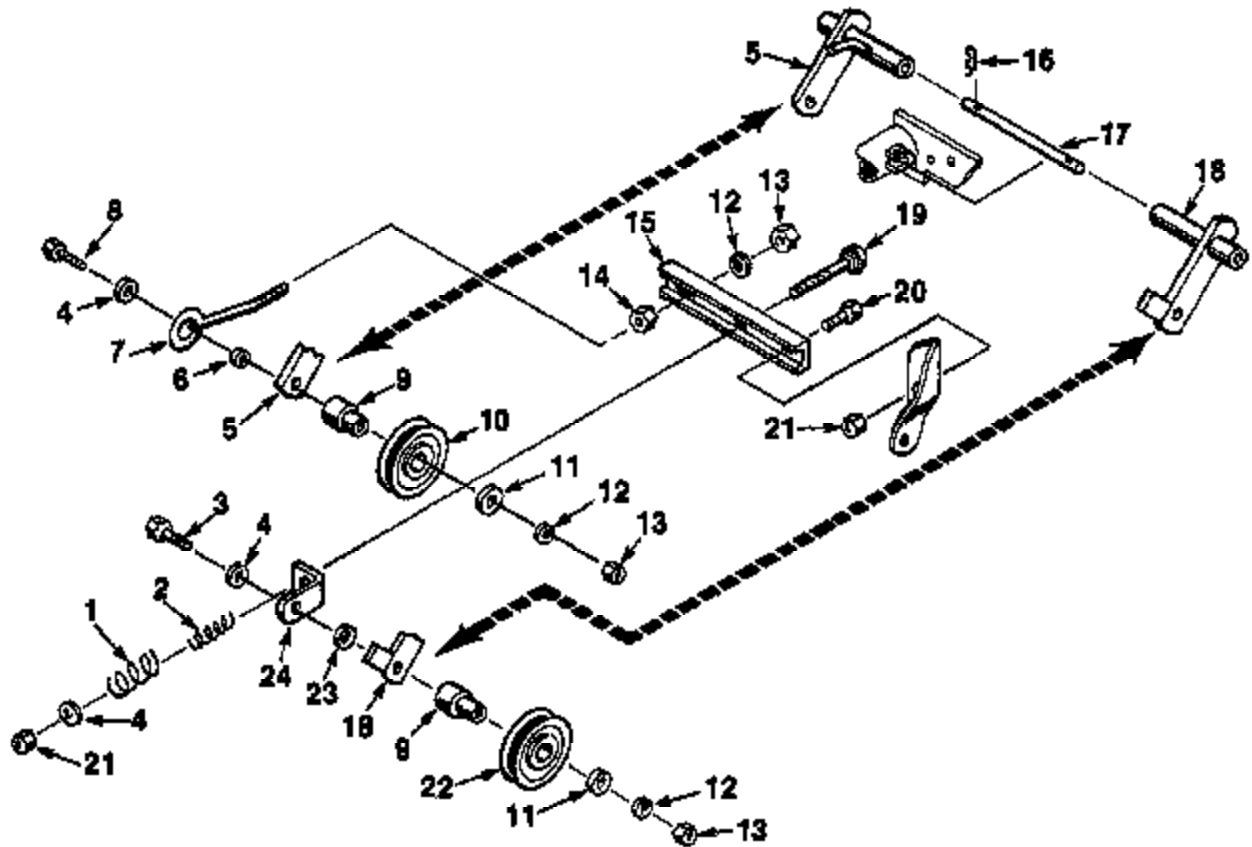


FIGURE 4
PARTS LIST

NO.	PART NO.	QTY.	DESCRIPTION
1	JA-35374-7	1	SPRING- Comp idler tension (outside)
2	JA-35374-6	1	SPRING- Comp idler tension (inside)
3	JA-40027-2	1	SCREW- 3/8-16 x 2 1/4 hex hd
4	JA-31071-1	1	WASHER
5	JA-13022-4	1	FIXED IDLER ASSEMBLY
6	JA-35781-4	1	SPACER
7	JA-35403-7	1	ROD- Fixed idler retaining
8	JA-40027-4	1	SCREW- 3/8-16 x 2 1/2 hex hd
9	JA-34486-2	2	IDLER- Stand off
10	JA-33081-4	1	PULLEY- Idler
11	JA-45301-1	2	WASHER
12	JA-44614-2	2	WASHER- Lock, 3/8 hvy
13	JA-44311-0	3	NUT- 3/8-16 hex

NO.	PART NO	QTY.	DESCRIPTION
14	JA-44361-0	1	NUT- 3/8 hex jam
15	JA-33641-8	1	BRACKET- idler spring & adjusting screw
16	JA-48031-8	2	COTTER HAIRPIN
17	JA-35208-7	1	ROD- Idler pivot
18	JA-13064-0	1	IDLER ARM & SPRING TENSION ASSY
19	JA-44188-0	1	BOLT- 3/8-16 x 5-1/2 Carr
20	JA-40026-2	2	SCREW- 3/8-16 x 1 hex hd
21	JA-44481-0	3	NUT- 3/8-16 hex flex lock
22	JA-33081-5	1	PULLEY- Idler
23	JA-35258-4	1	SPACER
24	JA-50097-1	1	BRACKET- Idler spring retaining

FIGURE 5
STEERING LINKAGE

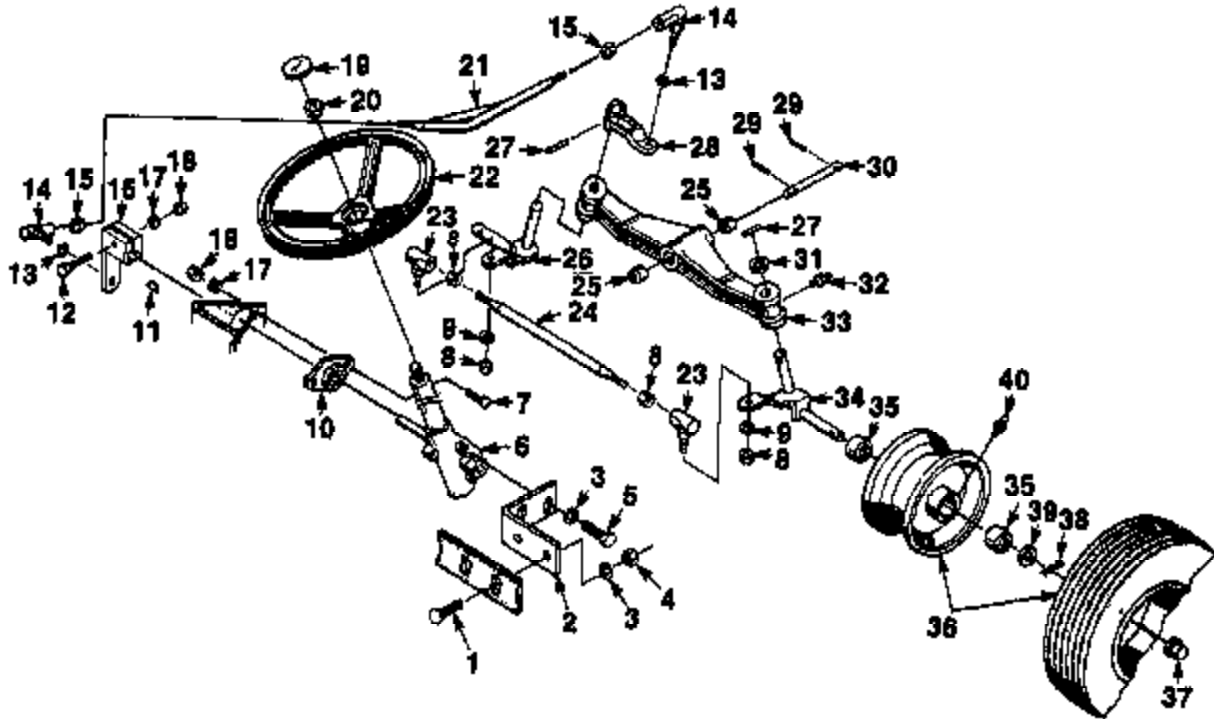


FIGURE 5 PARTS LIST

NO.	PART NO.	QTY.	DESCRIPTION
1	JA-44187-8	2	BOLT- 3/8-18 x 1 1/4 Carr.
2	JA-83873-8	1	BRACKET- Steering gear
3	JA-44614-2	4	WASHER- Lock 3/8 hvy
4	JA-44311-0	2	NUT- 3/8-18 hex
5	JA-40028-4	2	SCREW- 3/8-18 x 1 1/4 hex hd.
*8	JA-12192-6	1	STEERING GEAR ASSEMBLY
7	JA-44180-2	2	BOLT- 5/16-18 x 3/4 carr.
8	JA-44382-0	2	NUT- 1/2-20 hex jam
9	JA-44615-4	2	WASHER- Lock 1/2 hvy.
10	JA-35334-9	1	BEARING
11	JA-48301-7	1	KEY- Woodruff
12	JA-40018-8	1	BOLT- 5/16-18 x 2
13	JA-44722-0	2	WASHER- Lock 1/2 Int. tooth
14	JA-16163-6	2	BALL JOINT ASSEMBLY
15	JA-44382-0	2	NUT- 1/2-20 hex jam
16	JA-14107-3	1	STEERING ARM & HUB ASSEMBLY
17	JA-44613-6	3	WASHER- Lock 5/16 hvy
18	JA-44310-6	3	NUT- 5/16-18 hex
19	JA-88038-3	1	CAP- Steering wheel
20	JA-44382-8	1	NUT- 5/8-18 hex jam
21	JA-18077-2	1	DRAG LINK ASSEMBLY
22	JA-32888-2	1	STEERING WHEEL
23	JA-15481-5	2	BALL JOINT ASSEMBLY
24	JA-35154-7	1	ROD- Tie
25	JA-35179-8	2	BUSHING
26	JA-12192-7	1	SPINDLE ASSEMBLY- L.H.
27	JA-46140-4	2	PIN- 5/16 x 1 1/2 roll
28	JA-16180-0	1	STEERING ARM ASSEMBLY
29	JA-48138-3	2	PIN- Roll 3/16 x 1
30	JA-83653-0	1	PIN- Front axle mtg.
31	JA-32488-8	1	WASHER- Spindle retainer R.H.
32	JA-47121-8	2	FITTING- Grease
33	JA-18180-1	1	FRONT AXLE ASSEMBLY (Incl. Ref. #28 & 34)
34	JA-88007-2	1	SPINDLE ASSEMBLY R.H.
35	JA-32810-6	4	BEARING- Front wheel
**36	JA-12192-5	2	TIRE ASSEMBLY (front) (Incl. 35 & 40)
37	JA-35842-3	2	CAP- Front wheel hub
38	JA-48004-0	2	PIN- 3/32 x 1 1/4 cotter
39	JA-30245-8	2	WASHER- Front wheel mounting
40	JA-47121-4	2	GREASE FITTING- Front wheel

*See illustration 11 for complete service parts breakdown.

**See your dealer for service.

FIGURE 6
LIFT LINKAGE

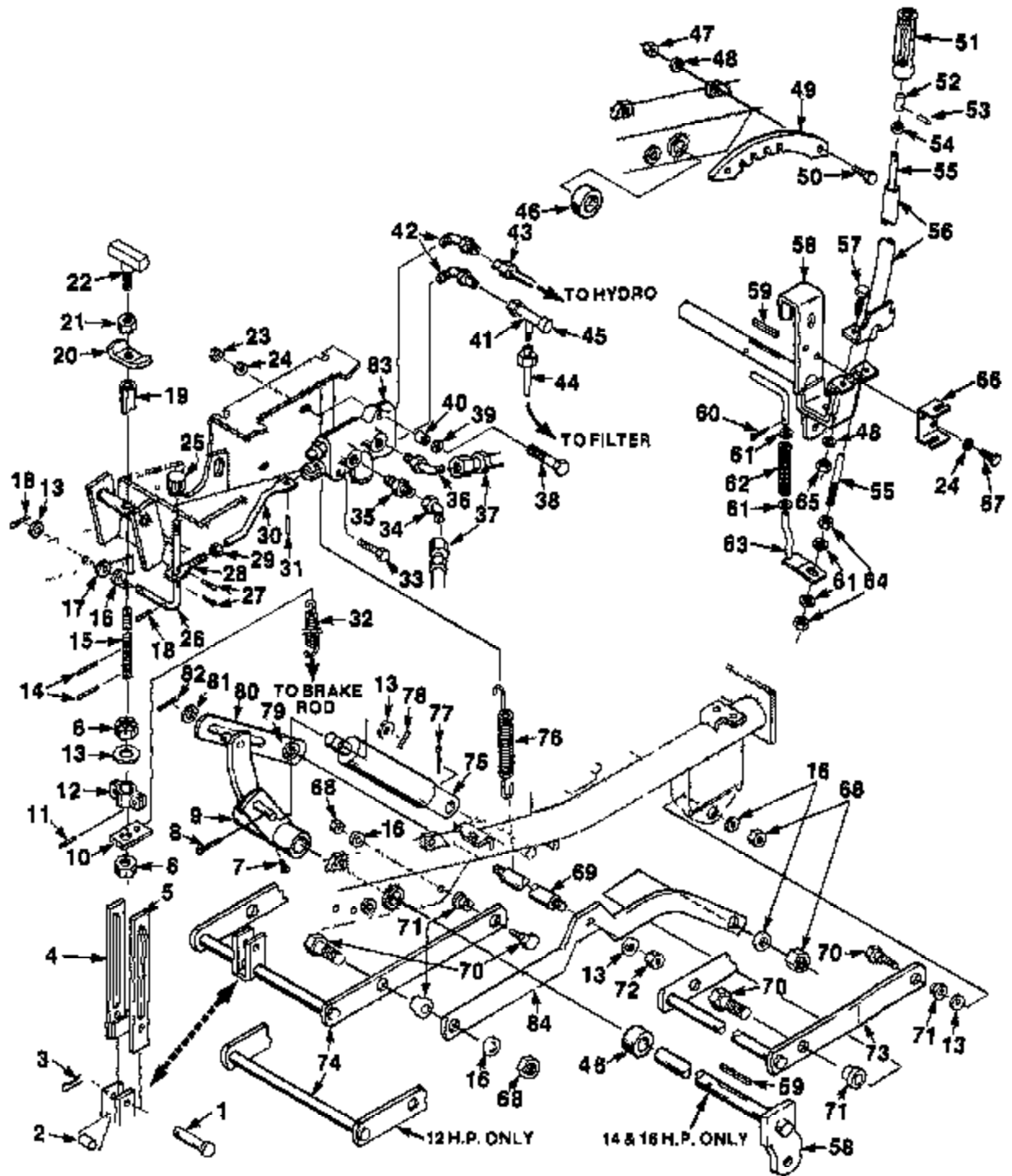


FIGURE 6 PARTS LIST

NO.	PART NO.	QTY.	DESCRIPTION
*1	JA-46147-3	1	PIN- Clevis
*2	JA-37527-5	1	SPACER
*3	JA-48031-2	1	HAIRPIN- Cotter
*4	JA-14198-1	1	POSITION CONTROL LINK ASSY, L H
*5	JA-33653-4	1	LINK- Micro-adjust R H
*6	JA-44588-8	2	NUT- 1/2-20 hex slotted
7	JA-41201-4	1	SCREW- 5/16-18 x 1/2 ast
8	JA-48003-8	1	PIN- 1/8 x 2 cotter
8	JA-13007-1	1	LIFT ARM ASSEMBLY
*10	JA-35909-5	1	BRACKET- Spring attachment
*11	JA-48138-0	2	PIN- Roll 3/16 x 3/4
*12	JA-16190-0	1	BRACKET- Slide
*13	JA-45301-7	2	WASHER- 17-32" SAE Flat
*14	JA-48135-8	2	PIN- Roll 1/8 x 3/4
*15	JA-33653-1	1	ROD- Micro-adjust
16	JA-46301-1	8	WASHER- 3/8 SAE Flat
*17	JA-45401-2	1	WASHER- Shekproof
*18	JA-48002-5	2	PIN- 1/8 x 3/4 cotter
*19	JA-35887-1	1	TUBE- Lock
*20	JA-36888-0	1	LOCK- Position control
*21	JA-44982-0	1	NUT- 1/2-20 hex jam
*22	JA-35908-3	1	KNOB- Micro-adjust
*23	JA-44310-2	2	NUT- 1/4-20 hex
*24	JA-44813-0	2	WASHER- Lock 1/4 hvy
*25	JA-85163-7	1	KNOB- Lift handle
*26	JA-35163-6	1	LEVER- Valve shift
*27	JA-48002-6	2	PIN- 1/8 x 3/4 cotter
*28	JA-37527-4	1	PIN- Adjusting
*28	JA-44311-0	1	NUT- 3/8-16 hex
*30	JA-33924-7	1	ROD- Shift
*31	JA-46135-2	1	PIN- Roll 3/32 x 3/4
*32	JA-35908-4	1	SPRING
*33	JA-40012-2	1	SCREW- 1/4-20 x 2 1/2 hex hd
*34	JA-35906-8	1	ELBOW- Swivel
*35	JA-36792-1	1	RESTRICTOR- Ret hydraulic line
*36	JA-85139-9	1	HOSE- Elbow (to valve)
*37	JA-18179-9	2	HOSE ASSEMBLY
*38	JA-40013-2	1	SCREW- 1/4-20 x 2 3/4 hex
*39	JA-46200-4	1	WASHER- 1/4 flat
*40	JA-31328-0	1	SPACER- Upper bolt
*41	JA-36918-6	1	FEMALE- Run tee
42	JA-36110-7	2	ELBOW- Tube to valve- VFP
*43	JA-11842-8	1	TUBE ASSEMBLY- Valve to hydro
*44	JA-12410-4	1	TUBE ASSEMBLY- Valve to filter

NO.	PART NO.	QTY.	DESCRIPTION
*45	JA-35407-7	1	CAP
46	JA-35174-9	1	SPACER- Lift arm
**47	JA-44810-8	2	NUT- 5/16- 18 hex
**48	JA-44813-6	2	WASHER- Lock 5/16 hvy
**48	JA-33622-4	1	QUADRANT- Lift
**50	JA-40018-6	2	SCREW- 5/16-18 x 1 hex hd
**51	JA-34183-3	1	GRIP- Lift handle
**52	JA-31634-9	2	PLUNGER- Lift lever
**53	JA-48135-5	1	PIN- 1/8 x 1/2 roll
**54	JA-31059-0	1	COLLAR- Lift lever plunger
**55	JA-39012-3	1	ROD- Lift lever
**56	JA-12197-7	1	HANDLE LIFT
**57	JA-40018-0	2	SCREW- 5/16- 18 x 1 1/4 hex hd
58	JA-12197-8	1	LIFT ARM & PIVOT WELDMENT, 12 H P
	JA-13069-8	1	LIFT ARM & PIVOT WELDMENT 14 & 16 H P
59	JA-31043-7	1	KEY- 3/16 x 3/16 x 2 3/8
**60	JA-48001-2	1	PIN- 3/32 x 5/8 cotter
**61	JA-45300-9	4	WASHER- 5/16 flat
**62	JA-37588-0	1	SPRING
**63	JA-13074-2	1	PIN- Latch
**64	JA-44577-7	2	NUT- 5/16-18 hex lock
**65	JA-44380-8	2	NUT- 5/16-18 hex
**66	JA-35942-7	1	GUIDE
**67	JA-40010-4	2	SCREW- 1/4 20 x 1/2 hex
68	JA-44475-2	8	NUT- 3/8-16 hex c/lock
69	JA-35922-4	1	CROSSBAR- Connecting link
70	JA-85168-6	8	BOLT- Linkage mounting
71	JA-35168-7	8	BUSHING- Rear hanger pivot
72	JA-44475-8	2	NUT- 1/2-13 hex c/lock
73	JA-13068-3	1	HANGER- Front
74	JA-13068-2	1	HANGER- Rear 12 HP
	JA-13068-1	1	HANGER- Rear 14 & 16 H P
*75	JA-50238-5	1	CYLINDER- 2" lift (Note 1)
76	JA-36236-0	1	SPRING
*77	JA-46003-0	1	PIN- 1/8 x 1 1/4 cotter
*78	JA-48002-8	1	PIN- 1/8 x 1 cotter
79	JA-34548-8	1	BUSHING- Lift link
80	JA-15885-0	1	LIFT LINK ASSEMBLY
81	JA-31350-9	1	WASHER
82	JA-48002-8	1	PIN- Cotter 1/8 x 1
**83	JA-30251-1	1	VALVE- Lift (Note 2)
84	JA-33583-8	2	LINK- Connecting

*14 & 16 H P only
**12 H P only

NOTE: 1 For service of cylinder, order part no. JA-50238-5.
For service of seal, order part no. JA-50236-5.

NOTE: 2 For service of valve see sketches for replacement valve no JA-30251-1.

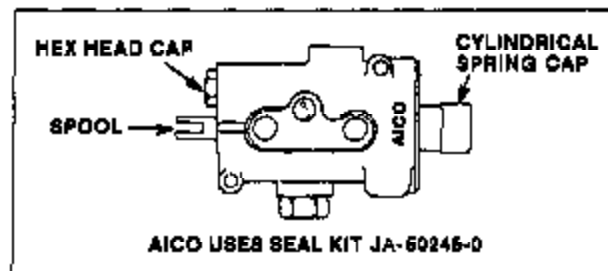
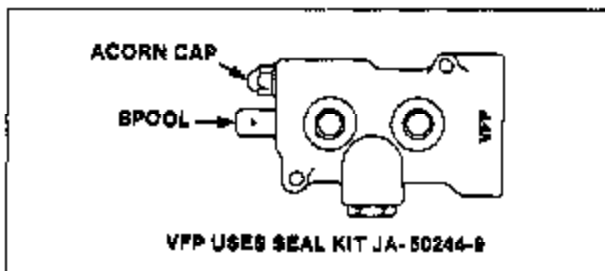


FIGURE 7
INSTRUMENT PANEL, BATTERY & FUEL TANK

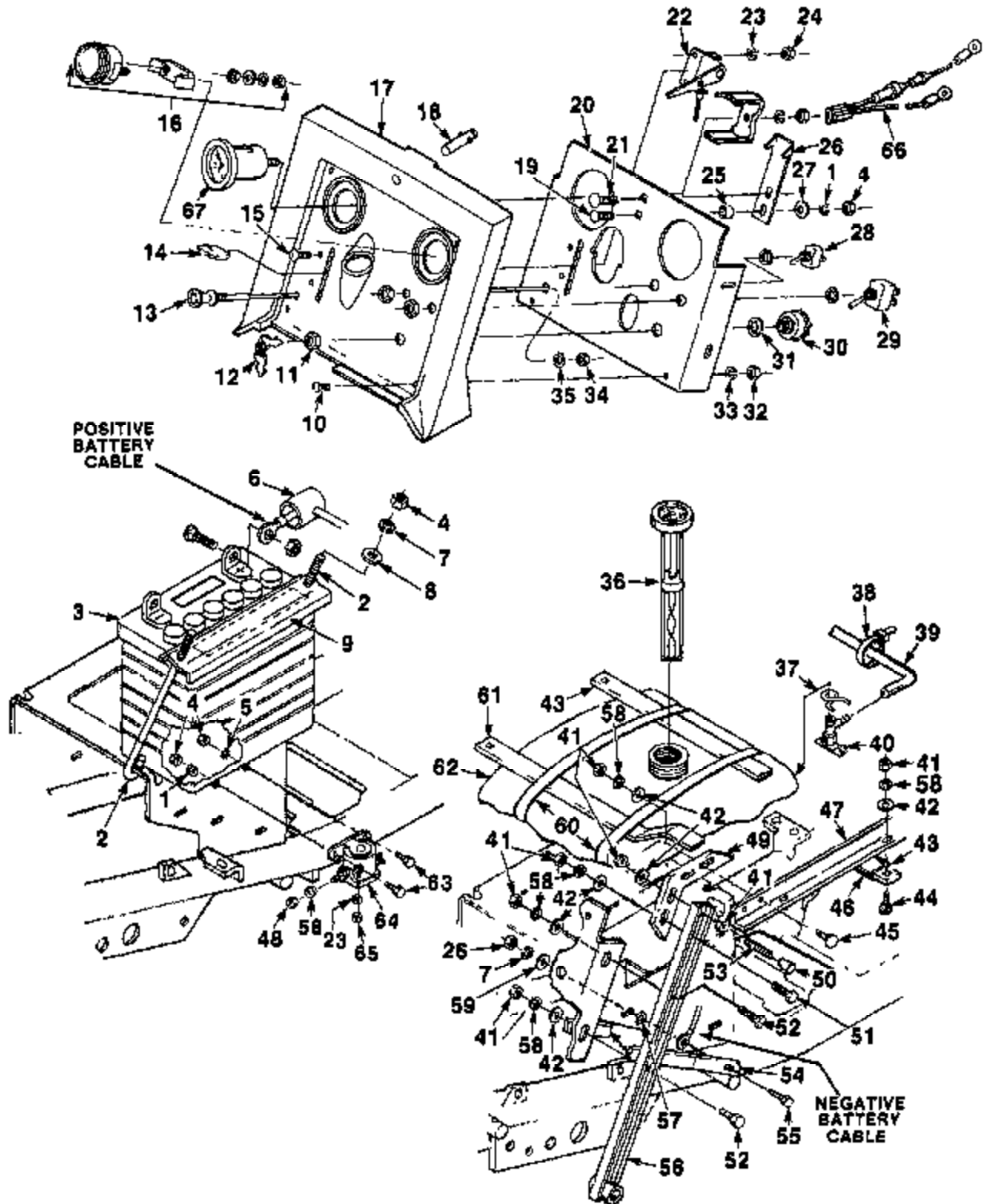


FIGURE 7 PARTS LIST

NO	PART NO.	QTY.	DESCRIPTION
1	JA-44613-0	2	WASHER- Lock 1/4 hvy
2	JA-35946-4	2	ROD- Battery hold down
3	JA-35843-2	1	BATTERY
4	JA-44310-2	7	NUT- 1/4-20 hex
5	JA-44730-4	1	WASHER- Lock 1/4 ext tooth
6	JA-35904-4	1	CAP- Positive battery terminal
7	JA-44613-0	3	WASHER- Lock 1/4 hvy
8	JA-45200-4	2	WASHER- 1/4 SAE Flat
9	JA-33674-0	1	BRACKET- Battery
10	JA-40386-8	4	SCREW- 8-32 x 1/2 L.G. slotted C/R hd
11	JA-36698-8	1	NUT
12	JA-34306-0	1	KEY- (set of 2)
13	JA-13085-7	1	CHOKE CONTROL ASSEMBLY
14	JA-34583-8	1	KNOB- Throttle control
15	JA-40391-4	2	SCREW #10-24 x 3/4 C/R truss hd
16	JA-10781-7	1	AMMETER
17	JA-39906-1	1	PANEL- Dash
18	JA-36987-8	1	ACTIVATOR- Hood release
19	JA-44004-8	1	SCREW- 1/4-20 x 1 barr
20	JA-38505-8	1	PLATE- Instrument
21	JA-46353-0	1	RIVET- 1/4 x 1 Buffon hd
22	JA-12195-0	1	THROTTLE- Control & Cable
23	JA-44611-8	2	WASHER- Lock #10 hvy
24	JA-44431-0	2	NUT- #10-24 hex
25	JA-36063-8	1	SPACER
26	JA-33654-0	1	LATCH- Hood lock spring
27	JA-45302-3	1	WASHER- 1/4 narrow std
28	JA-15689-2	1	SWITCH- Headlight 14 & 16 HP only
29	JA-18081-5	1	SWITCH- Electric clutch
30	JA-12984-8	1	SWITCH- Ignition (Inol Rel #12, 11 & 31)
31	JA-44722-1	1	WASHER- Lock int tooth
32	JA-44430-8	4	NUT- 8-32 hex
33	JA-44611-2	4	WASHER- Lock
34	JA-44381-2	1	NUT- 3/8-24 hex jam
35	JA-44701-4	1	WASHER- Lock 3/8 ext tooth
36	JA-19069-4	1	CAP- Fuel tank & Gauge 12 & 14 HP
	JA-16178-3	1	CAP- Fuel tank & Gauge 16 HP

NO	PART NO.	QTY.	DESCRIPTION
37	JA-38981-7	7	CLAMP- Fuel valve
38	JA-47316-4	1	STA-STRAP- 16 HP only
38	JA-35888-7	7	LINE- Fuel 12 & 14 HP
	JA-37511-0	1	LINE- Fuel 16 HP
40	JA-30251-1	1	SHUT-OFF VALVE ABSY
41	JA-44310-8	16	NUT- 5/16-18 hex
42	JA-48300-8	16	WASHER- 5/16 flat
43	JA-33653-7	1	SUPPORT- Gas tank, (front)
44	JA-44008-0	4	BOLT 5/16-18 x 7/8 carr
45	JA-44007-8	4	BOLT- 5/16-18 x 3/4 carr
46	JA-36923-8	2	SLEEVE- Strap
47	JA-13080-8	1	RAIL- R.H
	JA-13080-7	1	RAIL- L.H
48	JA-44380-8	2	NUT- 5/16-24 hex jam
49	JA-33653-8	2	BRACKET- Panel Mtg
50	JA-38307-7	2	TIP- Rod
51	JA-40018-6	2	SCREW- 5/16-18 x 7/8 hex hd
52	JA-40018-4	4	SCREW- 5/16-18 x 3/4 hex hd
53	JA-37653-6	2	STUD- Adjuster
54	JA-33653-8	2	STRAP- Console support
55	JA-40011-2	2	SCREW- 1/4-20 x 1 hex hd
56	JA-13080-8	2	ARM- Console
57	JA-44761-0	1	WASHER- Lock 1/4 ext int tooth
58	JA-44613-8	16	WASHER- Lock 5/16 hvy
59	JA-46302-3	2	WASHER- 1/4 flat
60	JA-50242-5	1	STRAP SET- Fuel tank (12 & 14 H P)
	JA-50242-4	1	STRAP SET- Fuel tank (16 H P)
61	JA-33673-8	1	SUPPORT- Gas tank (rear)
62	JA-36504-4	1	TANK- Fuel, 3 Gal, 12 & 14 H P
	JA-36504-5	1	TANK- Fuel, 5 Gal, 16 H P
63	JA-40010-8	2	SCREW- 1/4-20 x 3/4 hex hd
64	JA-33851-0	1	SOLENOID- Starter
65	JA-44431-2	2	NUT- #10-32 hex
66	JA-13080-1	1	HARNES- HOURMETER
67	JA-98820-0	1	HOURMETER

FIGURE 8
REAR FENDER & SEAT

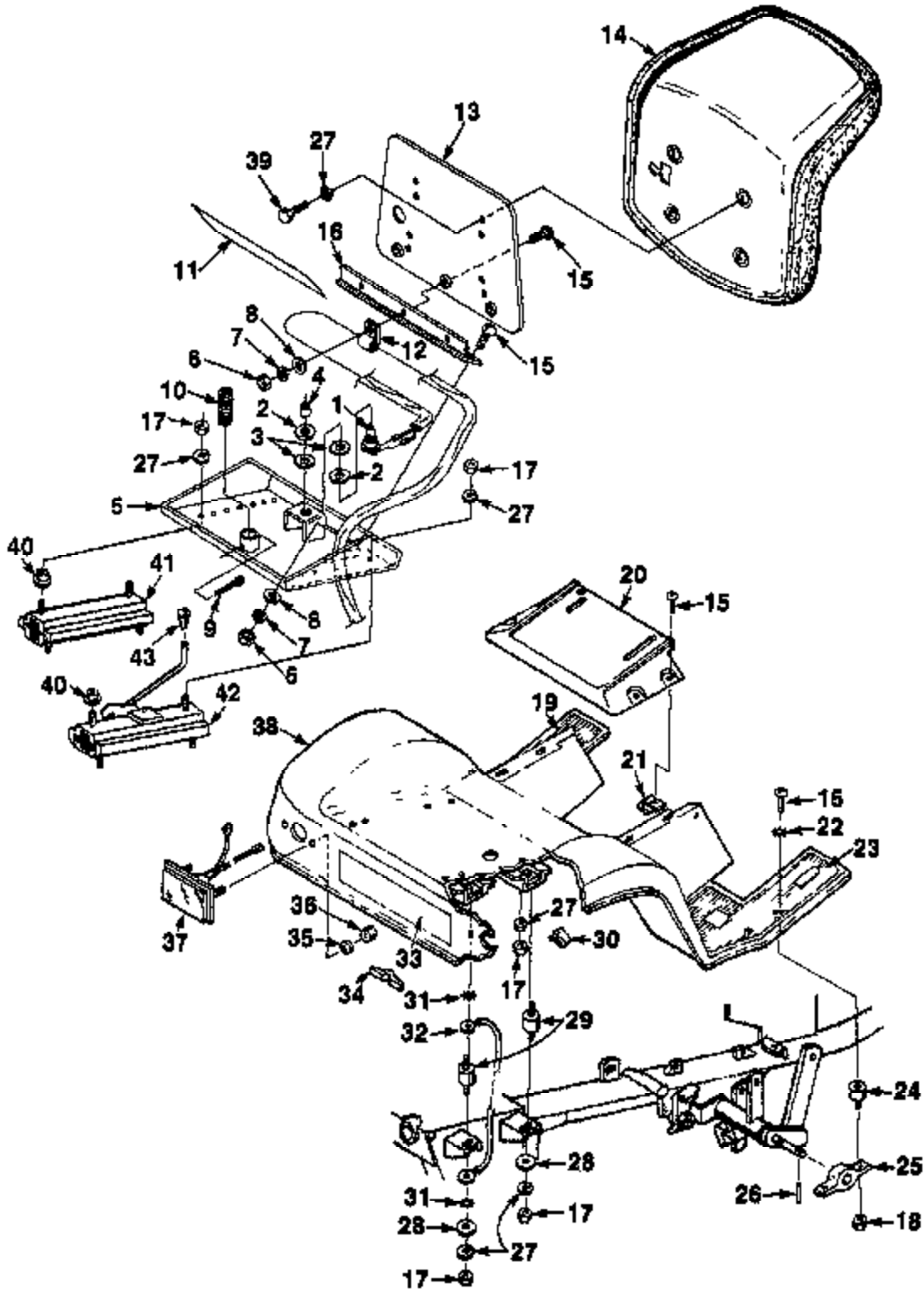


FIGURE 8 PARTS LIST

NO.	PART NO	QTY.	DESCRIPTION
1	JA-12B33-9	2	SWITCH- Safety
2	JA-34378-4	2	NUT- Safety switch
3	JA-44702-2	2	WASHER- Lock int
4	JA-34378-5	1	BOOT- Safety switch
6	JA-99116-1	1	BOX- Tool
6	JA-44310-2	4	NUT- 1/4-20 hex
7	JA-44813-0	4	WASHER- Lock 1/4 hvy
8	JA-45200-4	6	WASHER- 1/4 flat
8	JA-46003-6	1	PIN- Cotter
10	JA-35826-6	1	SPRING
11	JA-99017-8	1	DECAL- Instruction
12	JA-30315-9	1	CLIP- Seat switch mtg
13	JA-33053-0	1	PLATE- Seat mounting
14	JA-12406-4	1	SEAT ASSEMBLY
15	JA-40401-4	4	SCREW- 1/4-20 x 1/2 Phil
16	JA-35188-6	1	HINGE- Seat
17	JA-44310-6	12	NUT- 5/16-18 hex
18	JA-44470-6	4	NUT- Lock 1/4-20 (12 H.P. only)
19	JA-99012-1	1	PAD- Foot L H
20	JA-99505-0	1	INSERT- Body
21	JA-44524-5	4	NUT- Tinnerman
22	JA-44701-0	4	WASHER- Lock 1/4 Ext tooth
23	JA-99012-0	1	PAD- Foot R H
24	JA-35585-6	4	MOUNTING- Front fender
25	JA-35351-5	2	BRACKET- Footboard
26	JA-48139-7	4	PIN- Roll, 1/4 x 1 1/4
27	JA-44813-6	18	WASHER- Lock 5/16 hvy
28	JA-45300-9	4	WASHER- Plain 5/16 SAE
29	JA-35175-6	4	MOUNTING- Flexible
*30	JA-44527-1	2	CLIP- Tinnerman
*31	JA-44730-2	2	WASHER- Lock, 5/16 Ext. tooth
*32	JA-35185-5	1	WIRE- Ground body
33	JA-99101-6	1	DECAL- Name
*34	JA-35230-2	2	RETAINER- Tail light wire
*35	JA-44611-8	4	WASHER- Lock #10 hvy
*36	JA-44431-2	4	NUT- 10-32 hex
37	JA-12967-7	2	TAIL LIGHT ASSEMBLY
38	JA-99118-2	1	REAR FENDER & BODY ASSEMBLY (Includes #33)
39	JA-40018-2	4	SCREW- 5/16 x 5/8 hex hd
40	JA-35309-3	4	SPACER- Seat slide
41	JA-18002-6	1	SEAT- Slide L H
42	JA-12150-6	1	SEAT- Slide R H
43	JA-35176-3	1	KNOB- Seat slide

* 18 H.P. Only.

FIGURE 9
FRONT COWLING

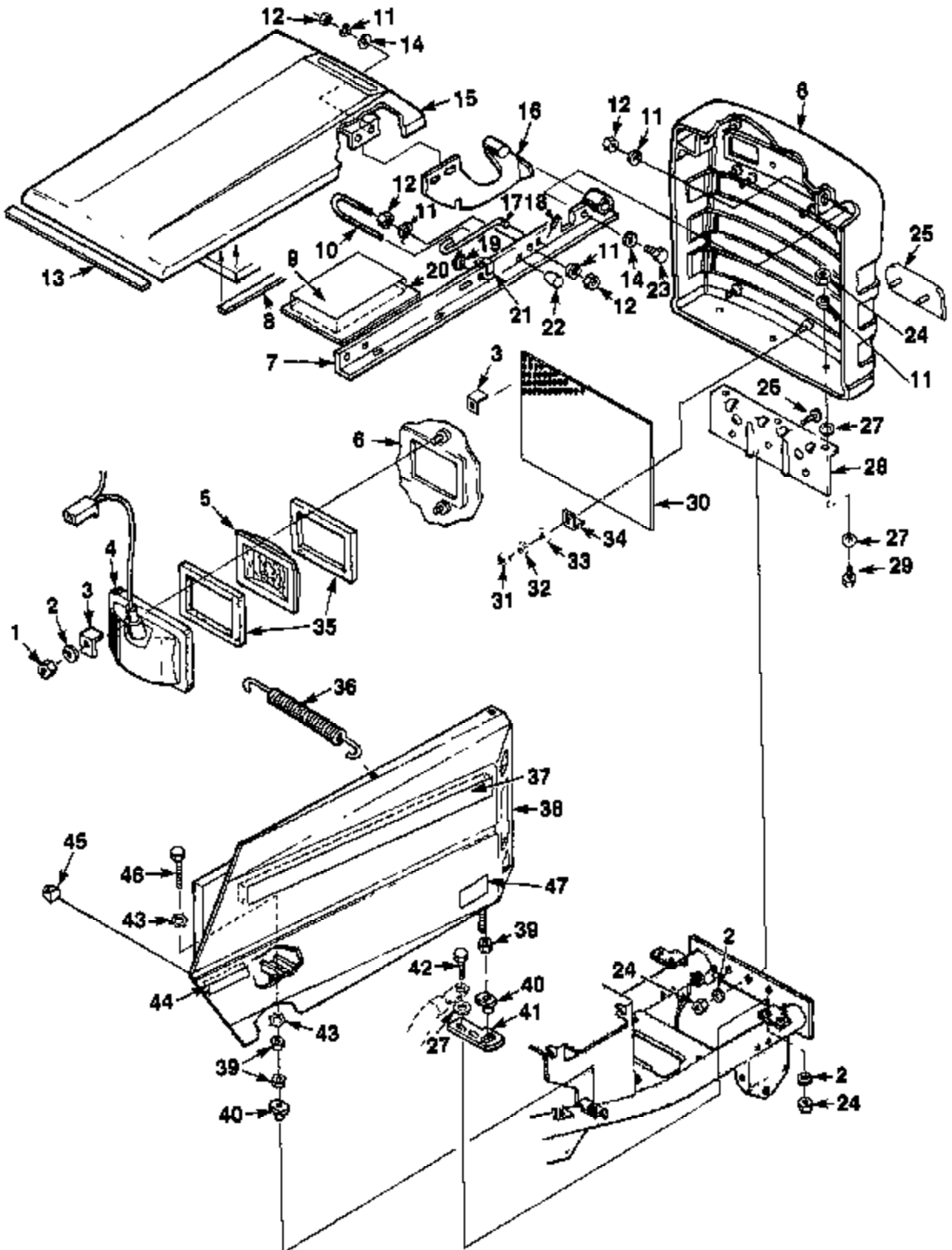


FIGURE 9 PARTS LIST

NO.	PART NO.	QTY	DESCRIPTION
1	JA-44810-2	4	NUT- 1/4-20 hex
2	JA-44813-0	4	WASHER- Lock 1/4 hvy
3	JA-35888-5	8	CLIP- Headlight mounting
4	JA-12193-0	1	HEADLIGHT ASSEMBLY (Incl 5 & 35) 14 & 16 H P
5	JA-99043-3	2	LENS
6	JA-99037-3	1	COWLING- Front
7	JA-13060-9	1	RAIL- Hood support (R H)
	JA-13060-7	1	RAIL- Hood support (L H)
8	JA-35888-6	2	STRIP- Hood spacer
9	JA-99884-0	1	DECAL- Battery danger
10	JA-37563-4	2	ADJUSTER- (Incl ref #22)
11	JA-44813-8	13	WASHER- Lock 6/16 hvy
12	JA-44810-6	10	NUT- 5/16-18 hex
13	JA-35828-8	1	STRIP- Hood spacer
14	JA-46200-6	2	WASHER- 5/16 flat
15	JA-99010-6	1	HOOD ASSEMBLY
16	JA-12192-8	1	HOOD HINGE ASSEMBLY, R H
	JA-12192-9	1	HOOD HINGE ASSEMBLY, L H
17	JA-33940-0	1	ROD- Hood support
18	JA-46135-6	1	PIN- Roll
19	JA-37562-7	1	CLIP- Hood support rod
20	JA-35923-7	1	COVER- Battery
21	JA-35249-6	1	CLIP- Headlight wire mounting (14 & 16 H P)
22	JA-35307-7	2	TIP- Probe
23	JA-40018-8	2	SCREW- 6/16-18 x 1 hex hd
24	JA-44310-2	2	NUT- 1/4-20 hex
25	JA-35899-9	1	INSERT- Front name (12 H P)
	JA-35894-0	1	INSERT- Front name (14 H P)
	JA-35894-6	1	INSERT- Front name (16 H P)
26	JA-40401-8	3	SCREW- 1/4-20 x 3/4 C/R
27	JA-46302-3	8	WASHER- 9/32 flat
28	JA-38008-7	1	BRACKET- Front cowling
29	JA-40010-8	2	SCREW- 1/4-20 x 5/8 hex hd
30	JA-99011-8	1	GRILL- Front cowling
31	JA-44431-0	4	NUT- 10-24 hex
32	JA-44611-6	4	WASHER- Lock #10 hvy
33	JA-46200-2	4	WASHER- #10 flat
34	JA-35869-5	2	CLIP- Grip mtg bottom
35	JA-54548-6	4	GASKET
36	JA-35890-6	1	SPRING- Extension
37	JA-99101-6	2	DECAL- Side panel
38	JA-99037-2	1	WELDMENT- Side panel (R H) (Includes 40, 48 & 50)
	JA-99037-1	1	WELDMENT- Side panel (L H) (Includes 40, 47, 48 & 50)
39	JA-44311-0	8	NUT- 3/8-16 hex
40	JA-36688-1	4	NUT- Side panel adjusting
41	JA-36687-8	2	SUPPORT- Side panel adj
42	JA-40011-2	4	SCREW- 1/4-20 x 1 hex hd
43	JA-44701-4	4	WASHER- Lock Ext 3/8
44	JA-33857-7	1	DECAL- Lift lever (12 H P)
45	JA-37587-0	2	RECESS- Bumper
46	JA-35823-5	2	SCREW- 3/8-16 x 2 3/4
47	JA-99035-8	2	REFLECTOR

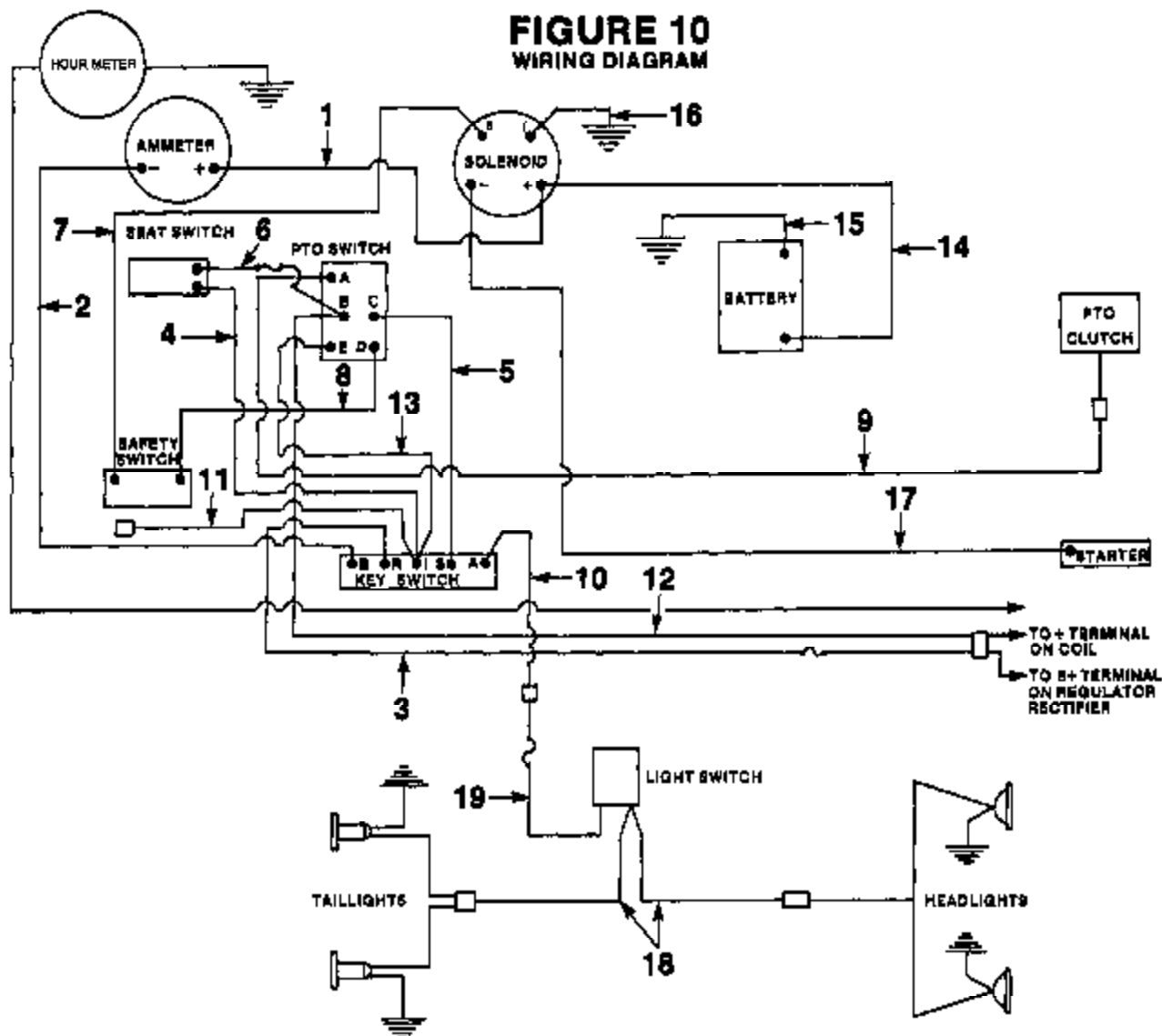


FIGURE 10
WIRING DIAGRAM

FIGURE 10
PARTS LIST

NO.	PART NO.	QTY.	DESCRIPTION
	JA-11778-4	1	WIRING- Harness (Incl. Ref Nos 1-13)
1		1	WIRE- Red, Solenoid to ammeter
2		1	Wire- Yellow, ammeter to key switch
3		1	Wire- Orange, key switch to Rectifier (Fused, 30 amp)
4		1	Wire- Violet, key switch to seat switch
5		1	WIRE- White, key switch to PTO switch
6		1	WIRE- Violet, seat switch to PTO Switch (Fused, 8 Amp)
7		1	WIRE- White, Solenoid to safety switch
8		1	WIRE- White, safety switch to PTO switch
9		1	WIRE- Green, PTO switch to PTO clutch

NO.	PART NO.	QTY.	DESCRIPTION
10		1	WIRE- Pink key switch to light Accessory (Pig Tail)
11		1	WIRE- Orange, key switch to lift Accessory (Pig Tail)
12		1	WIRE- Light Blue, PTO switch to coil
13		1	WIRE- Violet, key switch to PTO Switch
14	JA-35942-4	1	CABLE- Red, battery to solenoid
15	JA-37552-2	1	CABLE- Black, battery to ground
16	JA-11220-6	1	CABLE- Black, solenoid to ground
17	JA-35886-4	1	CABLE- White, solenoid to starter
**18	JA-35230-7	1	CABLE- Pink w/yellow tracer headlight to switch to tail light
**19	JA-35230-9	1	CABLE- Pink, switch to connector
**20	JA-47316-4	3	Strap cable tie
**21	JA-35230-2	2	RETAINER- Wire harness hold down
**22	JA-36249-6	1	CLIP- Wire harness

* 14 & 16 H.P. Only.

** Not shown, used to hold wires to tractor frame.

FIGURE 11
STEERING GEAR ASSEMBLY - PART NO. JA-12192-6

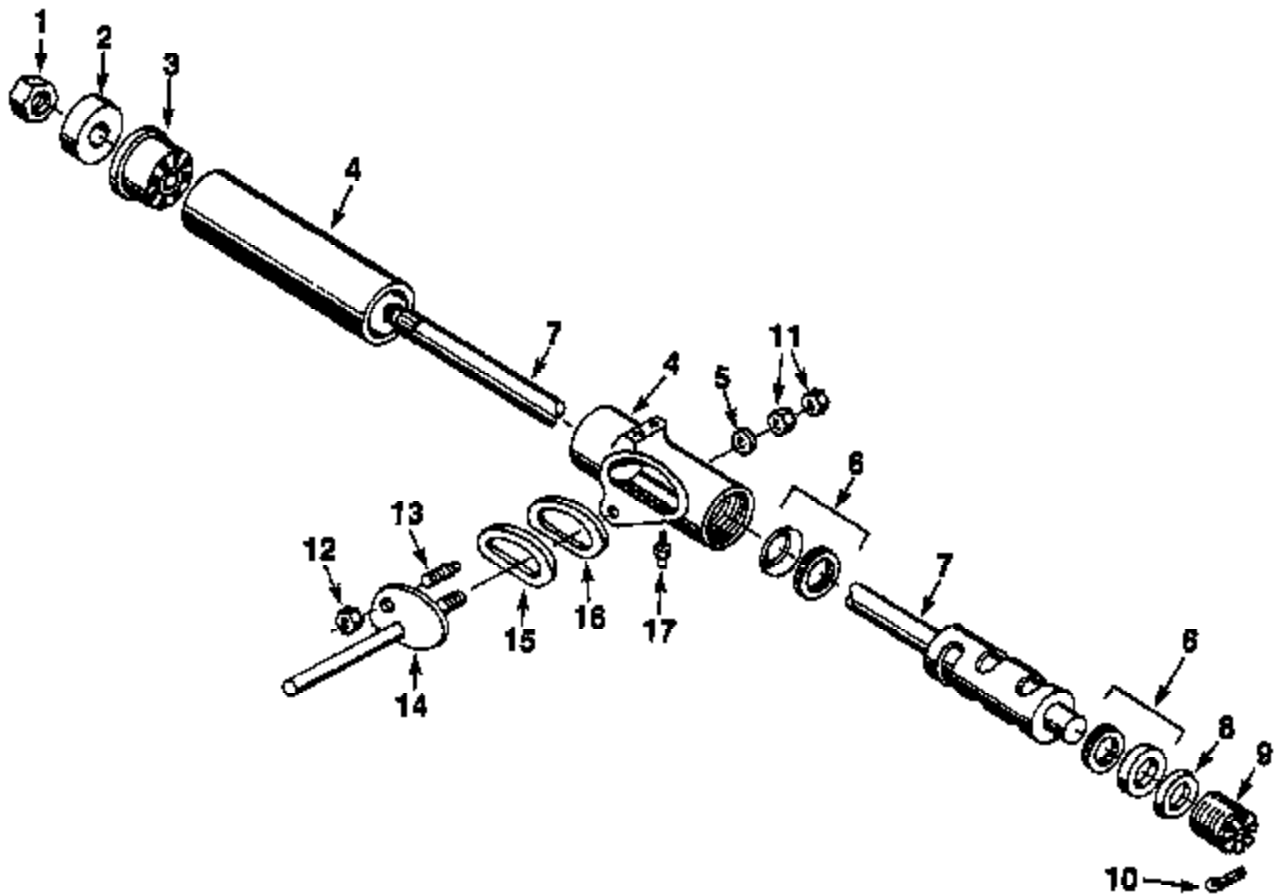


FIGURE 11
PARTS LIST

NO	PART NO	QTY.	DESCRIPTION
	JA-12192-6	1	Steering Gear Assembly {Incl the Following}
1	JA-44382-8	1	NUT- 5/8-18 hex jam
2	JA-54606-3	1	COVER- Dual
3	JA-54606-4	1	BEARING- Steering Column
4	JA-50237-0	1	STEERING- Gear housing assembly
5	JA-54906-0	1	WASHER- 11/16 x 1-1/8
6	JA-54606-8	1	BALL- Bearing and cup assembly
7	*N S S	1	CAM and Tube Assembly
8	JA-54606-7	1	WASHER- Belleville
9	JA-54606-8	1	PLUG- Steering Gear Adjustment
10	JA-49002-4	1	PIN- 1/8 x 1/2 Cotter
11	JA-44383-2	2	NUT- 3/4-16 hex jam
12	JA-44312-4	1	NUT- 9/16-18 hex
13	JA-59024-3	1	STUD- Lever
14	JA-51876-4	1	LEVER- Assembly
15	JA-54903-3	1	RETAINER- Oil seal
16	JA-54903-4	1	SEAL- Oil
17	JA-47121-2	1	FITTING- 1/8 x 45° grease

* Not serviced separately. For service use complete gear assembly
 No. JA-12192-6

FIGURE 12
TRANSAXLE

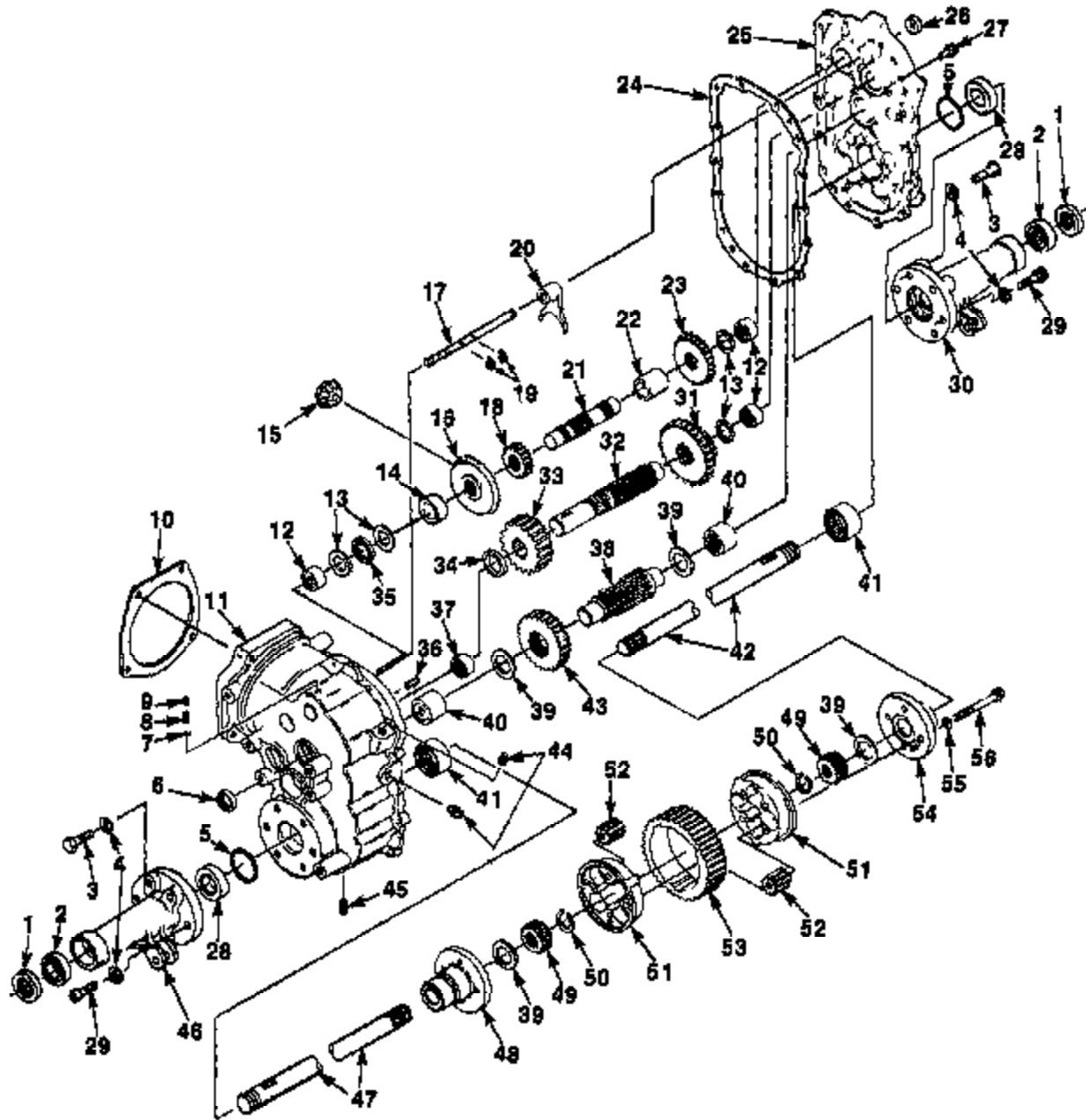


FIGURE 12 PARTS LIST

NO.	PART NO.	DESCRIPTION	NO.	PART NO.	DESCRIPTION
1	788049	SEAL- Oil	28	780104	BEARING- Thrust
2	780103	BEARING- Ball	29	782099	SCREW- 1/2-18 x 1 1/2 allen hd. cap
3	792066	SCREW- 1/2-13 x 1 1/2 hex hd.	30	782039	HOUSING- Axle
4	792060	WASHER- Lock 1/2"	31	778100	GEAR- Cluster (23 & 27 tooth)
5	788048	SEAL- Square cut	32	778119	SHAFT- Brake
6	788008	SEAL- Oil	33	778102	GEAR- Spur (17 teeth)
7	792004	BALL- Steel	34	78005	SPACER
8	792003	SPRING	35	780012	BEARING- Thrust
9	792058	SCREW- 1/4-20 1/2 ast	36	788028	PIN- Dowel
10	788050	GASKET	37	780097	BEARING- Needle
11	770080-A	CASE- Assembly, transaxle (Incl. #12, 37, 40 & 41)	38	778120	PINION- Output
12	780100	BEARING- Needle	39	780141	WASHER- Thrust
13	780045	WASHER- Thrust	40	780099	BEARING- Thrust
14	788055	SPACER	41	780098	BEARING- Needle
15	778093-A	PINION- Bavel	42	774225	AXLE- Right hand
16	778087	GEAR- Bevel (30 teeth)	43	778109	GEAR- Output (33 teeth)
17	784198	ROD- Shift	44	782010	PLUG- Pipe
18	778088	GEAR- Spur (16 teeth)	45	792019	PLUG- Magnetic drain
19	792064	RING- Snap	46	782040	HOUSING- Axle
20	784196	FORK- Shift	47	774226	AXLE- Left hand
21	778118	SHAFT- Counter	48	774200	CARRIER- Differential
22	788056	SPACER	49	778086	GEAR- Ring
23	778099	GEAR- Spur (20 teeth)	50	782082	RING- Snap
24	788047	GASKET- Case & Cover	51	788064	CORE- Body
25	772085	COVER- Assembly transaxle (Incl. 12, 40 & 41)	52	778086	GEAR- Pinion
26	788034	SEAL- Oil	53	778084	GEAR- Ring
27	782087	SCREW- 5/16-18 x 1 thrd forming hex hd.	54	774199	CARRIER- Differential
			55	792011	WASHER- Lock
			56	792089	SCREW- 3/8-16 x 3 5/16 hex hd.

ORDER REPLACEMENT PARTS FROM:

TECUMSEH PRODUCTS COMPANY

Lauson - Power Products Parts Depot Division
Grafton, Wisconsin

FIGURE 13
HYDROSTATIC TRANSMISSION - PART NO. JA-11842-5

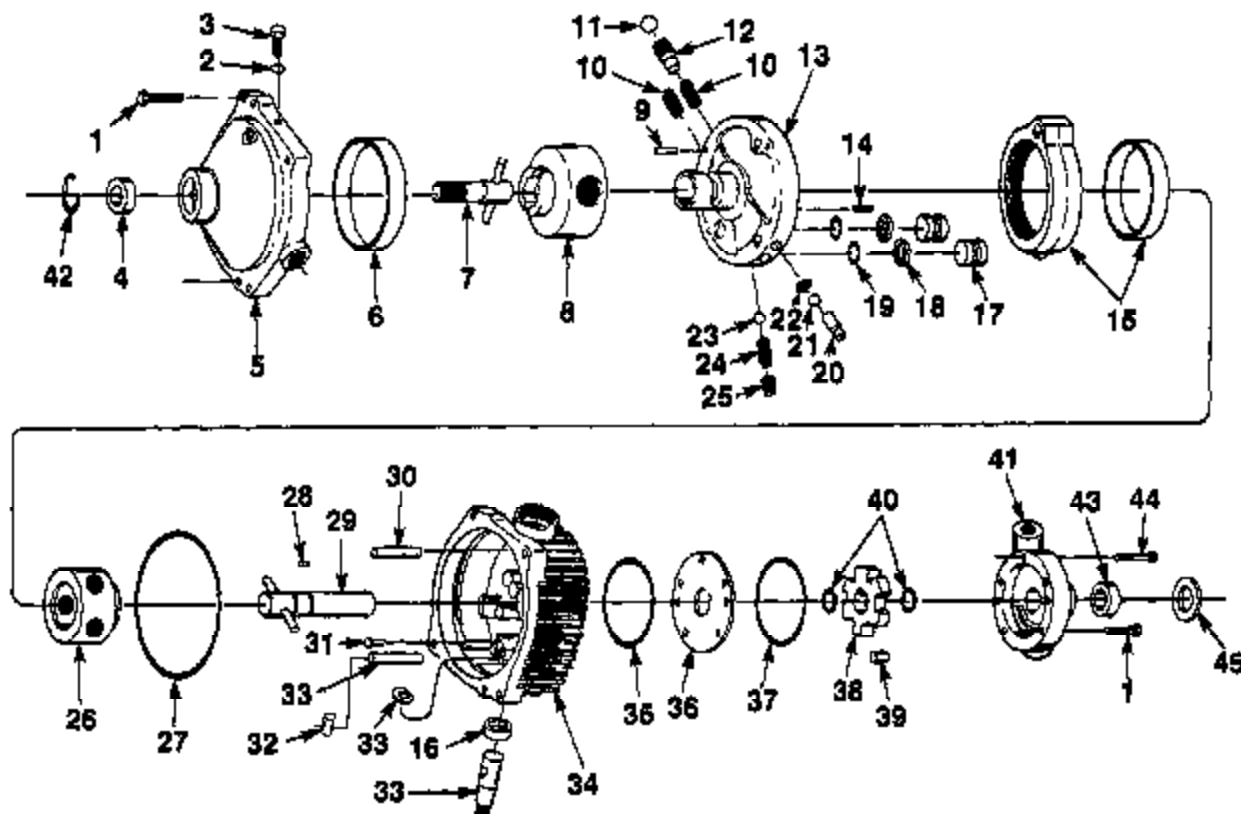


FIGURE 13
PARTS LIST

NO	PART NO	QTY	DESCRIPTION
1	JA-40019-0	4	SCREW- 6/16 x 1 1/4 hex hd
2	JA-50973-4	1	O-RING- Tube fitting
3	JA-50257-2	1	O-RING PLUG ASSEMBLY (Includes, ref #2)
4	JA-57003-0	1	BEARING- Ball (output shaft)
5	JA-51878-7	1	BODY- Motor (subassembly) 4,6,7 & 42)
6	JA-54935-6	1	RACE- Inner
7	JA-50246-0	1	SHAFT- Subassembly output
8	JA-50244-4	1	ROTOR- Ball subassembly motor
9	JA-54936-3	1	DOWEL- Acceleration valve plug
10	JA-54936-5	2	SPRING- Acceleration valve
11	JA-54936-7	2	BALL- 5/8 Dia acceleration plug
12	JA-54931-0	2	VALVE- Acceleration
13	JA-51898-3	1	PINTLE- Subassembly (Incl 9, 10, 11, 12, 14, 17, 18, 19, 20, 21, 22, 23, 24 & 25)
14	JA-54937-3	1	PIN- Coil
15	JA-09036-6	1	CAM- Ring
16	JA-54641-5	1	SEAL- Oil control shaft
17	JA-54935-7	2	PISTON- Pintle
18	JA-54936-8	2	RING- Backup piston
19	JA-54935-9	2	RING- O-RING piston
20	JA-54933-3	2	BODY- Directional valve
21	JA-54937-1	2	BALL- 5/16 dia directional valve
22	JA-54937-2	1	RETAINER
23	JA-54937-0	1	BALL- 7/16 dia, charge pressure relief

NO	PART NO	QTY	DESCRIPTION
24	JA-54938-9	1	SPRING- Charge pressure relief valve
25	JA-54936-8	1	PLUG- Charge pressure relief valve
26	JA-50246-8	1	ROTOR- Ball subassembly
27	JA-54641-8	1	SEAL- Ring square cut
28	JA-54644-4	1	PIN- Drive charge pump
29	JA-50109-5	1	SHAFT SUBASSEMBLY- Input
30	JA-58987-4	1	PIN- Dowel pivot
31	JA-54937-9	2	GAP
32	JA-54937-7	1	RING- Insert clamp (steel)
33	JA-51883-8	1	CONTROL SHAFT & PIN ASSEMBLY (Incl 16)
34	JA-51898-1	1	COVER- Subassembly (Incl Ref #30, 33 & 16)
35	JA-54935-4	1	SEAL- Square cut
36	JA-54980-9	1	PLATE- Charge pump
37	JA-99214-0	1	SEAL- Square cut
38	JA-54950-9	1	CARRIER- Charge pump
39	JA-54943-9	6	ROLL- Charge pump
40	JA-54643-7	2	RING- Snap input shaft
41	JA-50109-6	1	BODY SUBASSEMBLY- Charge pump (Incl Ref 43)
42	JA-54644-5	1	RING- Snap output shaft
43	JA-54641-5	1	SEAL- Oil input shaft
44	JA-40019-4	1	SCREW
45	JA-54641-6	1	SHIELD- Grass

* Parts Included in charge, pump kit No. JA-50256-4.

Z12856

HOMELITE DIVISION OF TEXTRON INC.

P.O. Box 7047
14401 Carowinds Boulevard
Charlotte, N.C. 28217

Overseas Offices

Homelite Division of Textron

Korenaarstraat 1
2153 BM Nieuw Vennepe
The Netherlands

Homelite Division of Textron

Pacific Limited
P.O. Box 209
Blackburn, 3130
Victoria, Australia

HOMELITE **TEXTRON**

Homelite Division of Textron Inc