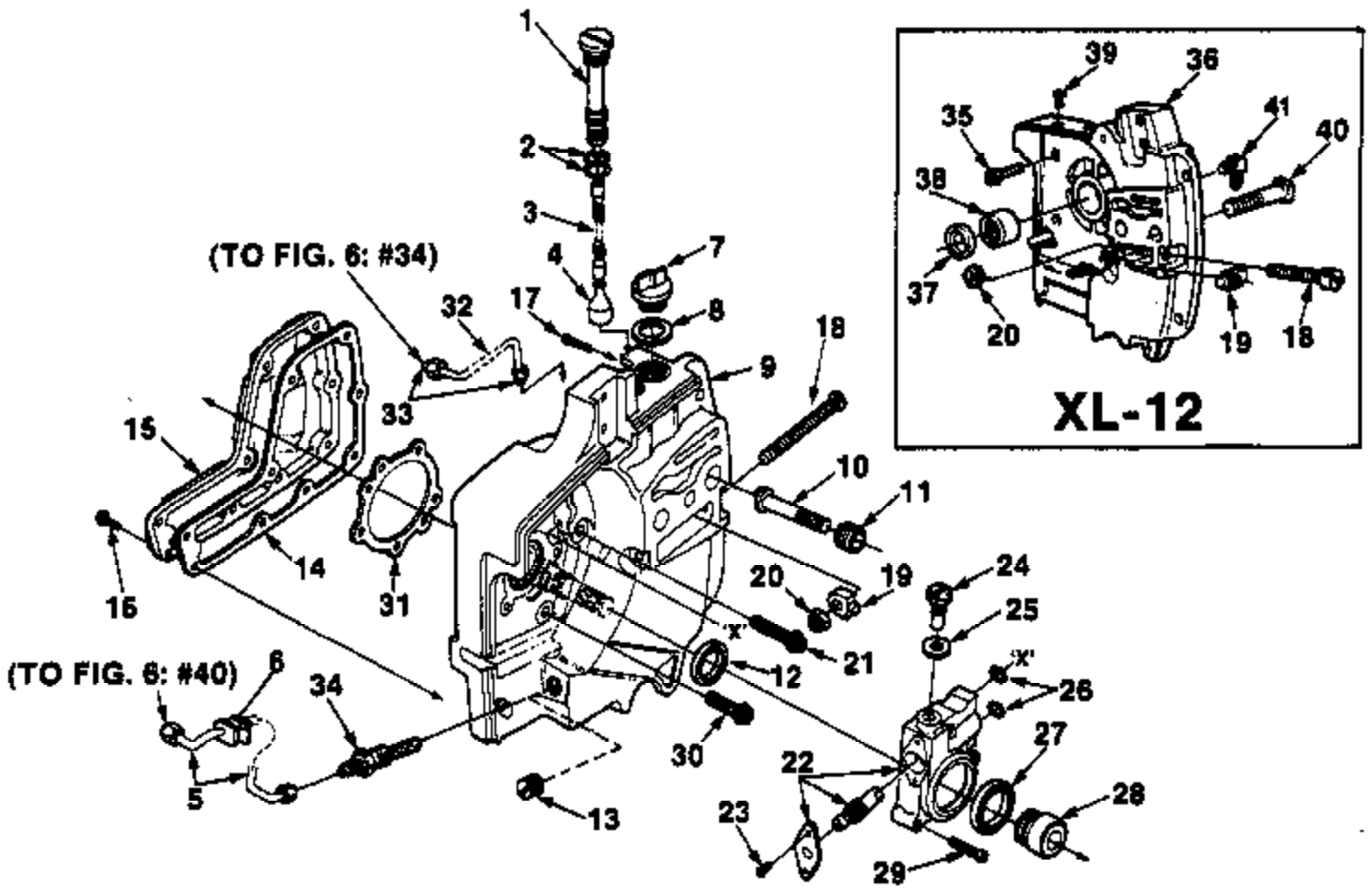
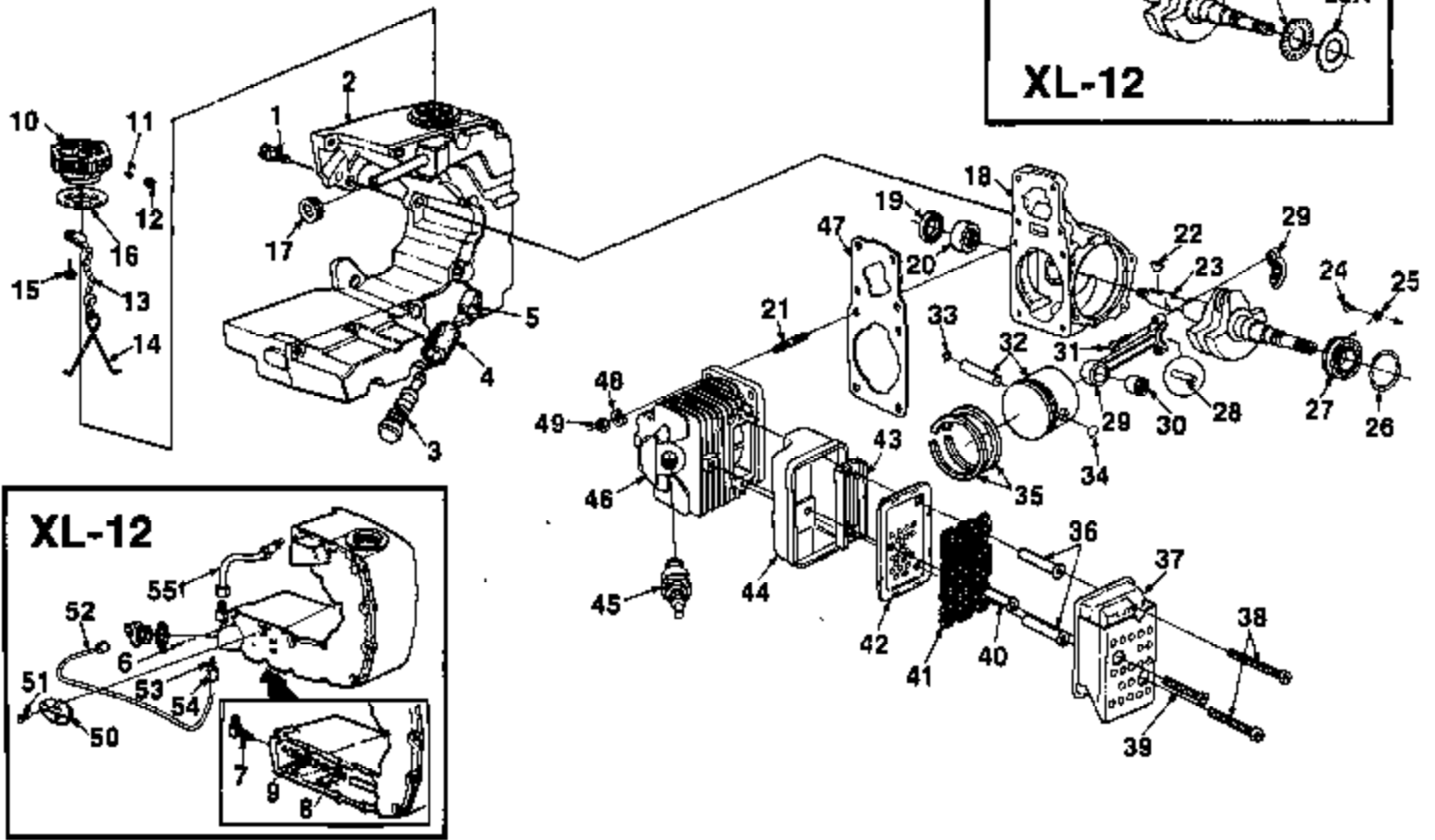


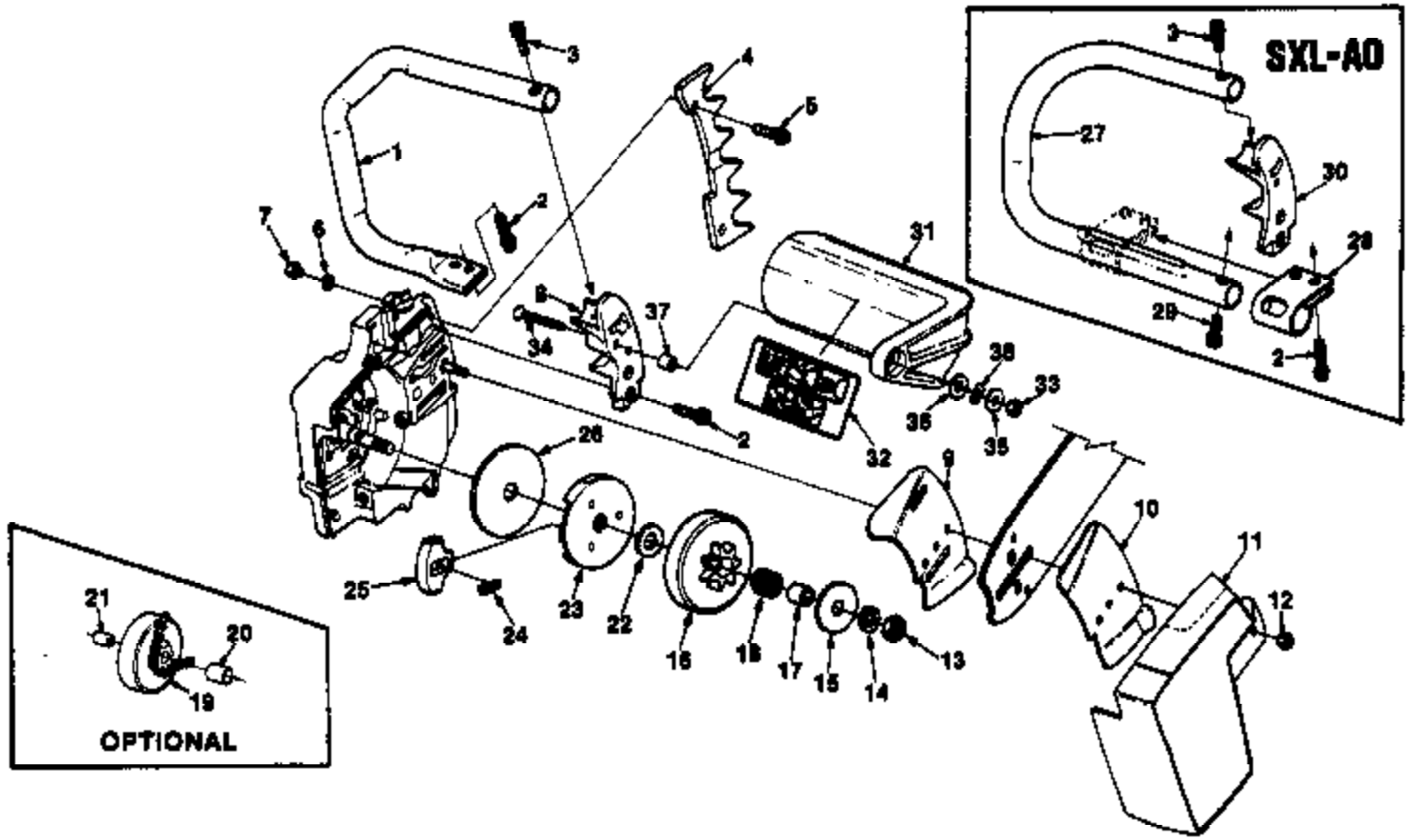
| Ref # | Part Number | Qty | Description |
|-------|-------------|-----|----------------------------------|
| 1 | 59274 | 1 | GASKET- Spacer |
| 2 | 59718 | 1 | SPACER |
| 3 | 63260A | 1 | RETAINER- Reed valve |
| 4 | 63253 | 1 | SEAT- Reed valve |
| 5 | 59678B | 4 | VALVE- Reed |
| 6 | 59722 | 1 | GASKET- Carburetor |
| 7 | 7031037 | 1 | LINE- Fuel 9 1/4" |
| 8 | A68371B | 1 | CARBURETOR- Walbro (SDC-62) |
| | A68363BS | 1 | CARBURETOR- Tillotson (HS-179-B) |
| | A94953 | 1 | CARBURETOR- Zama (#20-20) |
| 9 | 68279 | 1 | GROMMET |
| 10 | 86324 | 1 | PIN- Cotter |
| 11 | 5877312 | 1 | COVER-Air filter |
| 12 | A65272 | 1 | NUT- Air filter cover |
| 13 | 58319A | 1 | RING- Retaining |
| 14 | 63589A | 1 | ELEMENT- Air filter |
| 15 | A59822B | 1 | BRACKET- Mounting |
| 16 | 681301 | 1 | ROD- Choke |
| 17 | 58362 | 1 | GROMMET |
| 18 | 59763 | 1 | ROD- Throttle |
| 19 | 80891 | 5 | SCREW- Hex 12-24 x 7/8 |
| 20 | 83046 | 2 | WASHER- Lock #10 |
| 21 | 80921 | 2 | SCREW- Hex 10-32 x 2 11/16 |
| 22 | 95671 | 1 | PIN- Throttle latch |
| 23 | 58405 | 1 | SPRING- Throttle latch |
| 24 | A592131A | 1 | COVER- Throttle handle |
| | 67752 | 1 | Bushing- Pin (Not shown) |
| 25 | 80560 | 2 | SCREW- Pan 8-32 x 1/2 |
| 26 | 58859 | 1 | TRIGGER- Throttle |
| 27 | 58409 | 1 | RING- Retaining |
| 28 | A93926 | 1 | THROTTLE HANDLE |
| 29 | 63290 | 1 | WASHER- Felt |
| 30 | 86301 | 1 | PIN- Cotter |
| 31 | 67634 | 1 | BOOT- Throttle rod |
| 32 | 63303 | 1 | PLUG |
| 33 | 93209 | 1 | SHIELD- Spark plug |
| 34 | 94142 | 1 | PIN |
| 35 | A59011 | 1 | VALVE- Check |
| 36 | 63302B | 1 | SCREW- Idle |
| 37 | 59770 | 1 | GROMMET- Hi-Lo |
| 38 | A93783 | 1 | PLUNGER- Spring |
| 39 | 59293 | 1 | SPRING- Compression |
| 40 | 74388 | 1 | "O" RING |
| 42 | 96479 | 1 | LABEL- Homelite |



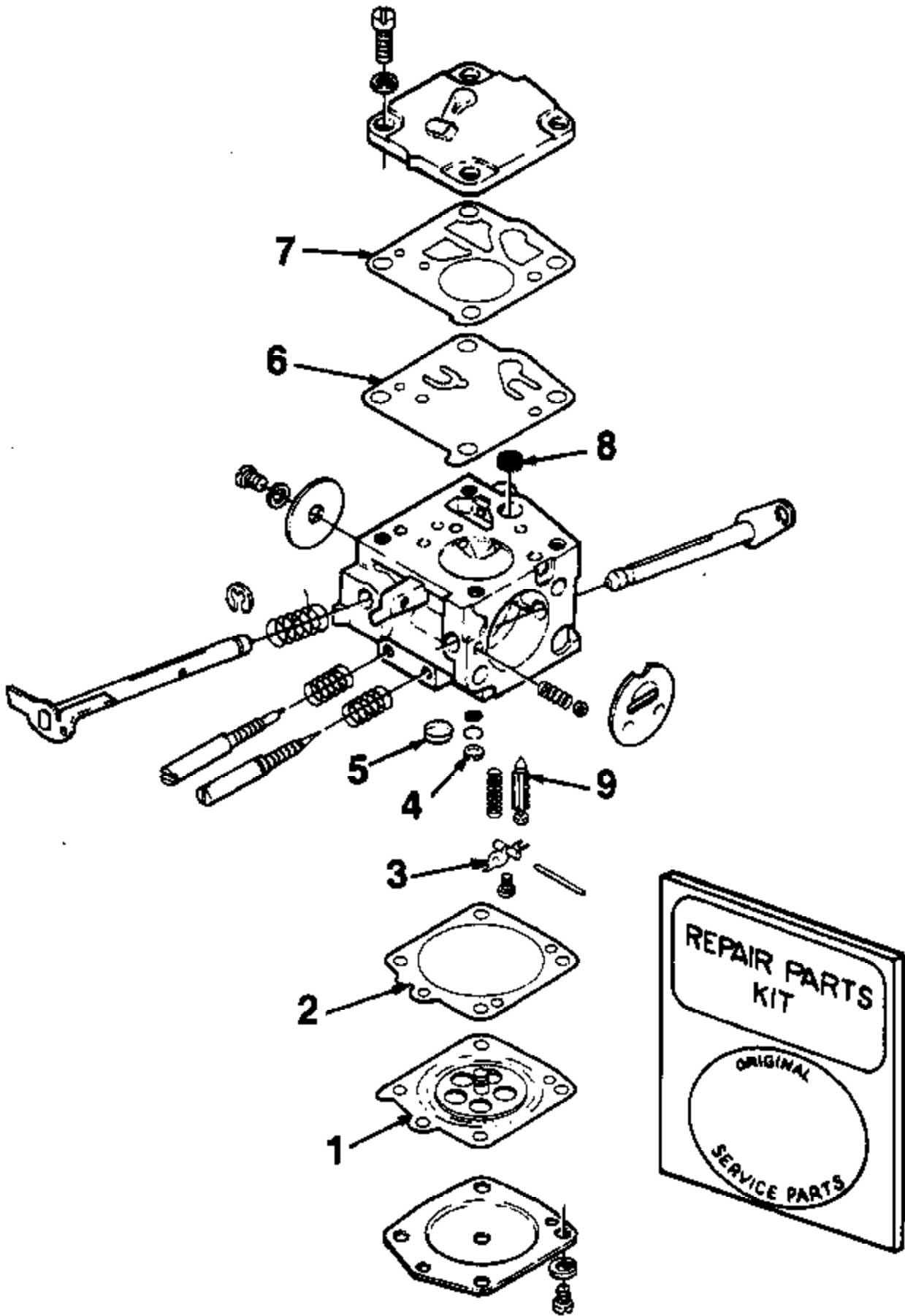
| Ref # | Part Number | Qty | Description |
|-------|-------------|-----|----------------------------|
| 7 | A63717C | 1 | CAP- Filler oil |
| 8 | 56607 | 1 | GASKET |
| 18 | 63225 | 1 | SCREW- Guide bar adjusting |
| 19 | 93039 | 1 | PIN- Bar adjusting |
| 20 | 81204 | 1 | NUT- Lock, 1/4-20 |
| 30 | 80899 | 4 | SCREW- Hex 12-24 x 9/16 |
| 31 | 63355 | 1 | GASKET- Crankcase |
| 35 | 80899 | 5 | SCREW- (12-24 x 9/16) |
| 36 | A58925E | 1 | DRIVECASE |
| 37 | 12282A | 1 | SEAL |
| 38 | 58956 | 1 | BEARING- Needle |
| 39 | 94242 | 1 | PLUG- Button |
| 40 | 67485 | 2 | BOLT- Guide bar |
| 41 | 56707 | 1 | FITTING- Tube elbow (90 |



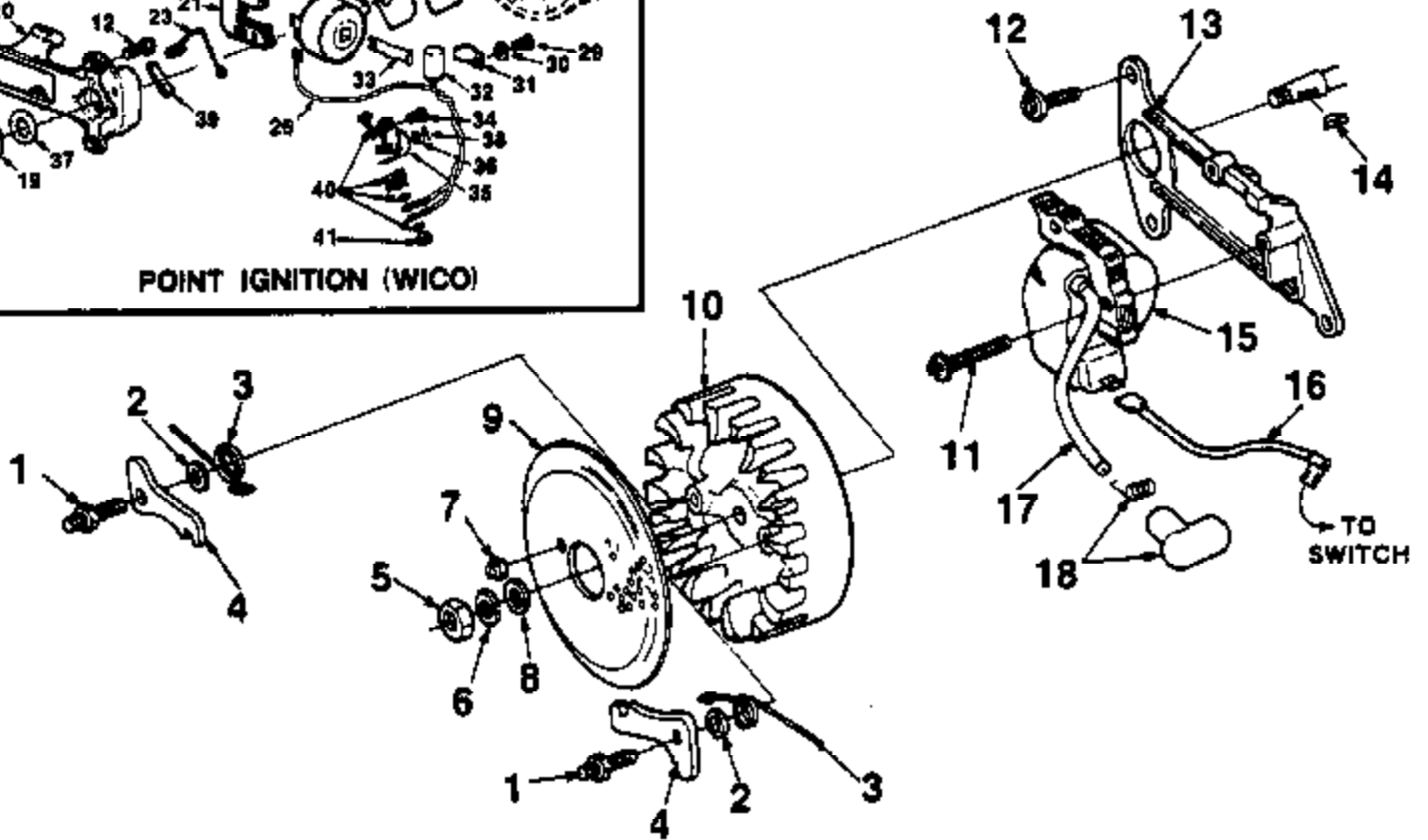
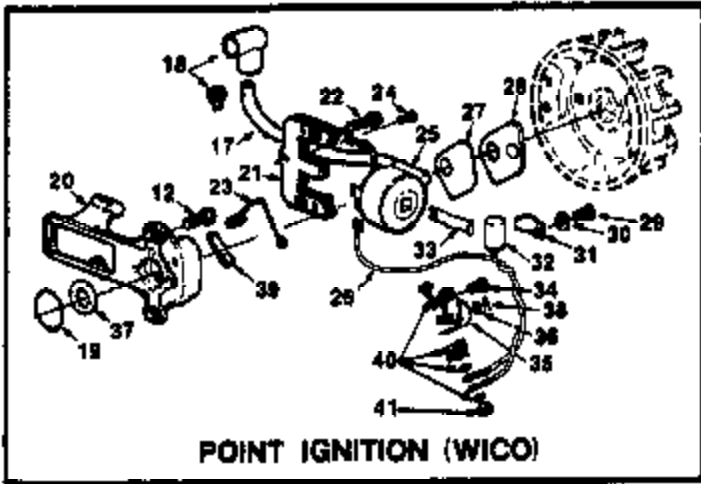
| Ref # | Part Number | Qty | Description |
|-------|-------------|-----|--------------------------------|
| 1 | 63407 | 3 | SCREW- Shoulder |
| 2 | A63898B | 1 | TANK- Fuel |
| 3 | A69923 | 1 | FILTER- Fuel |
| 4 | 64083 | 1 | FELT- Filter |
| 5 | 7031037 | 1 | TUBING- Fuel 9 1/4" |
| 6 | 86301 | 1 | PIN- Cotter (Manual) |
| 7 | A59010 | 1 | VALVE- Inlet check (Manual) |
| | 25527 | 1 | BALL (Not shown) |
| 8 | A59009A | 1 | FILTER- Oil (Manual) |
| 9 | 59000 | 1 | LINE- Pick-up (Manual) |
| 10 | A69500A | 1 | CAP- Fuel filler |
| 11 | 69451 | 1 | VALVE- Check |
| 12 | 69454 | 1 | FILTER- Fuel cap |
| 13 | 69502 | 1 | CHAIN- Bead |
| 14 | 96535 | 1 | RETAINER |
| 15 | 82256A | 1 | SCREW- Pan hd. #6 x 1/4 |
| 16 | 69501 | 1 | GASKET- Fuel filler cap |
| 17 | 68046 | 1 | GROMMET |
| 18 | A65736 | 1 | CRANKCASE |
| 19 | 12282A | 1 | SEAL |
| 20 | 58956 | 1 | BEARING |
| 21 | 55871 | 4 | STUD |
| 22 | 75078 | 1 | KEY- Woodruff |
| 23A | 634971 | 1 | CRANKSHAFT |
| 26A | 58725 | 1 | RACE- Needle thrust |
| 27A | 58726 | 1 | BEARING- Needle thrust |
| 28 | A69054 | 1 | ROLLER SET (31) |
| 29 | A63477B | 1 | ROD- Connecting |
| 30 | 93369 | 1 | BEARING |
| 31 | 69919 | 2 | SCREW- Cap soc. hd. |
| 32 | A58903C | 1 | PISTON & PIN |
| 33 | 75120 | 1 | RING- Retaining |
| 34 | 64813 | 1 | RING- Retaining |
| 35 | 58877 | 2 | PISTON RING |
| | A94219A | 1 | MUFFLER ASSEMBLY |
| 36 | 9398301 | 2 | SPACER- Muffler |
| 37 | A95988 | 1 | CAP- Muffler & Shield |
| 38 | 94128 | 2 | SCREW- Hex hd. (12-24 x 2 1/4) |
| 39 | 94129 | 1 | SCREW- Hex hd. (12-24 x 1 7/8) |
| 40 | 9398302 | 1 | SPACER- Muffler |
| 41 | 93979 | 1 | SCREEN- Spark arrestor |
| 42 | 93980 | 1 | BAFFLE- Muffler |
| 43 | 94133A | 1 | PLATE- Muffler |
| 44 | 93981 | 1 | BODY- Muffler |
| 45 | 63710S | 1 | SPARK PLUG (CJ8) |
| 46 | A69715 | 1 | CYLINDER |
| 47 | 59771 | 1 | GASKET- Cylinder |
| 48 | 83061 | 4 | WASHER- Lock 1/4 |
| 49 | 96212 | 4 | NUT- 1/4-28 |
| 50 | 59016 | 1 | PLATE- Retaining |
| 51 | 80919 | 2 | SCREW- Pan hd. (4-40 x 1/4) |
| 52 | A59012 | 1 | LINE- Oil |
| 53 | 25301 | 2 | SLEEVE- Compression (1/8) |
| 54 | 25302 | 1 | NUT- Compression (5/16-24) |
| 55 | A94946 | 1 | LINE- Oil |



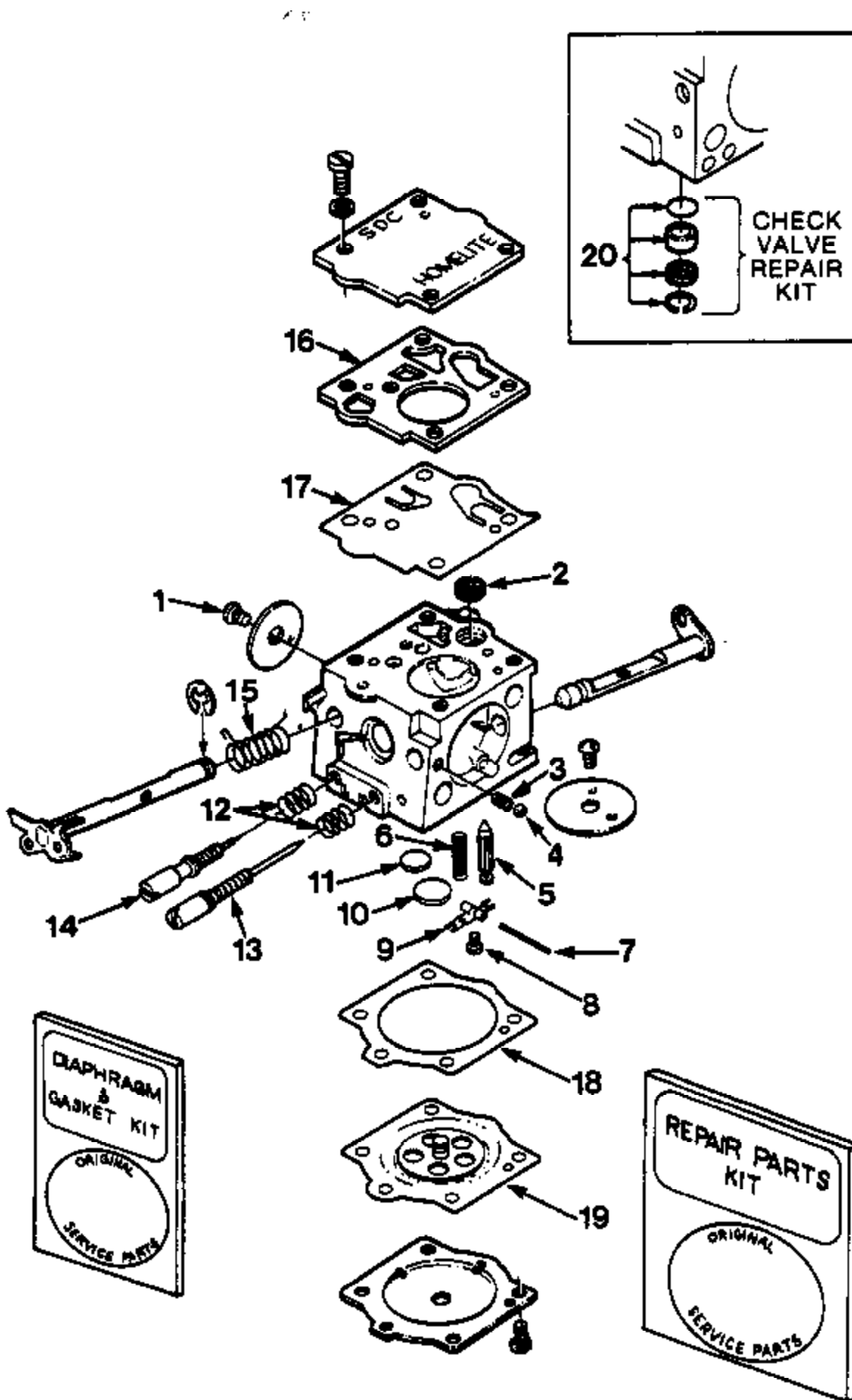
| Ref # | Part Number | Qty | Description |
|-------|-------------|-----|---|
| 1 | A58793B | 1 | HANDLE BAR- Flush cut |
| 2 | 80867 | 4 | SCREW- 12-24 x 3/4 |
| 3 | 804281 | 1 | SCREW- Socket hd. 1/4-20 x 1 |
| 4 | DA59043 | 1 | BUMPER KIT- Spiked (Accessory) |
| 5 | 80867 | 2 | SCREW- Hex 12-24 x 3/4 |
| 6 | 70901 | 2 | WASHER- Lock #12 |
| 7 | 81068 | 2 | NUT- Hex 12-24 |
| 8 | 592467 | 1 | BRACKET- Handle bar |
| | A70618 | 1 | KIT- Guide bar plate |
| 9 | 70399 | 1 | PLATE- Guide bar (inner) |
| 10 | 70400 | 1 | PLATE- Guide bar (outer) |
| 11 | 5875016 | 1 | COVER- Drivecase |
| 12 | 810892 | 2 | NUT- Hex 3/8-16 |
| 13 | 81124 | 1 | NUT- Lock 3/8-24 |
| 14 | 83018 | 1 | WASHER- Lock 3/8 |
| 15 | 65064 | 1 | WASHER- Thrust (outer) |
| 16 | A95459 | 1 | SPROCKET & DRUM 7 tooth (std.) 3/8,7 tooth |
| 17 | 65746B | 1 | RACE- Inner |
| 18 | 64124 | 1 | BEARING- Roller |
| 19 | A63346 | 1 | SPROCKET & DRUM (opt.) 3/8" pitch, 8T |
| | A59555 | 1 | .404 pitch, 7 T |
| 20 | 72311 | 1 | BEARING- Needle |
| 21 | 55584 | 1 | RACE- Inner |
| | A65990 | 1 | HUB & DRUM- "splined" (opt.) (used with index #17, 18, 22 and rim sprockets |
| | 95058 | 1 | SPROCKET- Splined rim typed 3/8" 7 T |
| | 63285 | 1 | .404 pitch, 7 tooth |
| 22 | 58833 | 1 | WASHER- Thrust (inner) |
| | A69480C | 1 | CLUTCH & COVER |
| 23 | 657601B | 1 | PLATE- Clutch |
| 24 | 67053 | 3 | SPRING- Clutch |
| 25 | 69461 | 3 | SHOE- Clutch |
| 26 | 95054 | 1 | COVER- Clutch |
| 31 | A95088 | 1 | GUARD- Hand |
| 32 | 96990 | 1 | DECAL |
| 33 | 81225 | 1 | NUT- 12/24 |
| 34 | 82223 | 4 | SCREW- (12-24 x 1 1/4) |
| 35 | 95935 | 1 | WASHER (5/16) |
| 36 | 84065 | 1 | WASHER |
| 37 | 95937 | 1 | SPACER |
| 38 | 96757 | 1 | WASHER- Spring wave |



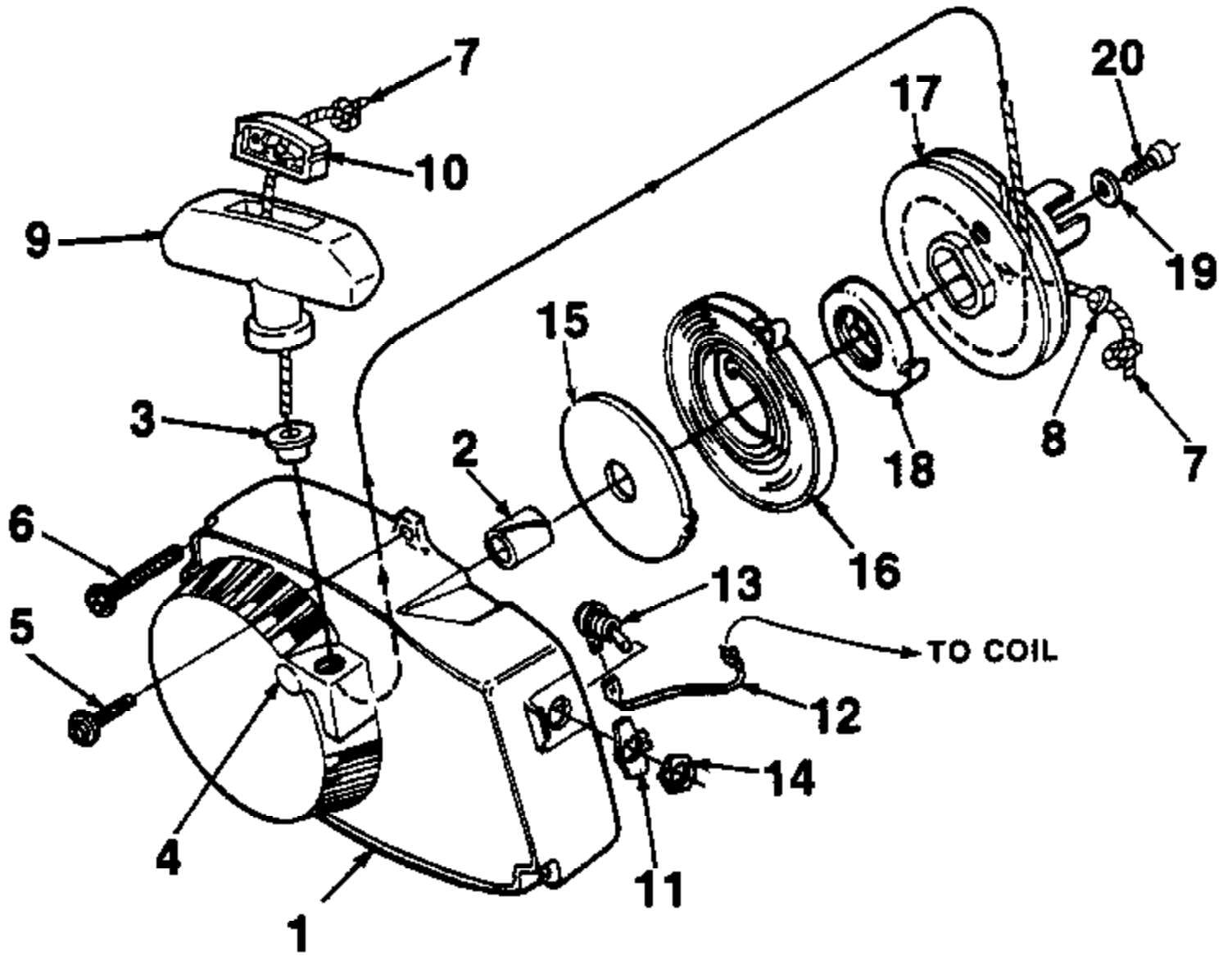
| Ref # | Part Number | Qty | Description |
|-------|-------------|-----|-------------|
| 1 | 95698 | 1 | Repair Kit |
| 2 | 95698 | 1 | Repair Kit |
| 3 | 95698 | 1 | Repair Kit |
| 4 | 95698 | 1 | Repair Kit |
| 5 | 95698 | 1 | Repair Kit |
| 6 | 95698 | 1 | Repair Kit |
| 7 | 95698 | 1 | Repair Kit |
| 8 | 95698 | 1 | Repair Kit |
| 9 | 95698 | 1 | Repair Kit |



| Ref # | Part Number | Qty | Description |
|-------|-------------|-----|--|
| 1 | 58757E | 2 | STUD- Shoulder |
| 2 | 70901 | 2 | WASHER- Lock |
| 3 | 653752 | 2 | SPRING- Starter pawl |
| 4 | 58756 | 2 | PAWL- Starter |
| 5 | 81117 | 1 | NUT- Hex (5/16-24) |
| 6 | 83002 | 1 | WASHER- Lock (5/16) |
| 7 | 81206 | 2 | NUT- Center lock (#10-32) |
| 8 | 84056 | 1 | WASHER- Flat (5/16) |
| 9 | 58765 | 1 | SCREEN- Starter |
| 10 | 70639 | 1 | ROTOR- Magneto |
| 11 | 82248 | 2 | SCREW- Hex washer hd. (8-32 x 3/4) |
| 12 | 80899 | 3 | SCREW- Hex hd. (12-24 x 9/16) |
| 13 | 943261 | 1 | PLATE- Ignition coil mtg. (Solid state) |
| 14 | 75078 | 1 | KEY- Rotor (woodruff) |
| 15 | A94605S | 1 | MODULE & CORE (Solid state) |
| 16 | A94850 | 1 | LEAD- Ground (Solid state) |
| | A59031 | 1 | LEAD- Ground (Point ignition) |
| 17 | 58966 | 1 | LEAD- High tension |
| 18 | A33055 | 1 | TERMINAL- High tension |
| 19 | 59538 | 1 | GASKET- Stator (point ignition) |
| 20 | A94556 | 1 | BOX- Breaker (point ignition) |
| 21 | 93098 | 1 | CORE |
| 22 | 82248 | 2 | SCREW- Hex washer hd. (8-32 x 3/4) |
| 23 | 76413 | 1 | CLIP- Breaker box cover (point ignition) |
| 24 | 64090 | 1 | SCREW- Terminal (point ignition) |
| 25 | A94325 | 1 | COIL- with lead (point ignition) |
| 26 | 93095 | 1 | LEAD |
| 27 | 58810 | 1 | GASKET- Breaker box cover (point ignition) |
| 28 | 58811 | 1 | COVER- Breaker box (point ignition) |
| 29 | 30261 | 1 | SCREW- Hd. (8-32 x 5/16) (point ignition) |
| 30 | 83060 | 2 | WASHER- Lock (point ignition) |
| 31 | 59622 | 1 | CLAMP- Condenser (point ignition) |
| 32 | 63250A | 1 | CONDENSER (point ignition) |
| 33 | 63726 | 1 | CLIP- Coil retaining (point ignition) |
| 34 | 76421 | 1 | SCREW- Contact plate (point ignition) |
| 35 | A58914A | 1 | POINTS- Breaker (point ignition) |
| 36 | 28028 | A/R | WASHER- Plain |
| 37 | 59760 | 1 | SEAL- Felt |
| 38 | 28008 | 1 | CLIP |
| 39 | | 1 | CAM- Felt |
| 40 | A68162 | 1 | BLOCK- Terminal (point ignition) |
| 41 | 93099 | 1 | NUT- Connection stud |



| Ref # | Part Number | Qty | Description |
|-------|-------------|-----|------------------------|
| 1 | 67020 | 1 | Repair Kit |
| 2 | 67020 | 1 | Repair Kit |
| 3 | 67020 | 1 | Repair Kit |
| 4 | 67020 | 1 | Repair Kit |
| 5 | 67020 | 1 | Repair Kit |
| | 64229 | 1 | Inlet Needle |
| 6 | 67020 | 1 | Repair Kit |
| 7 | 67020 | 1 | Repair Kit |
| 8 | 67020 | 1 | Repair Kit |
| 9 | 67020 | 1 | Repair Kit |
| 10 | 67020 | 1 | Repair Kit |
| 11 | 67020 | 1 | Repair Kit |
| 12 | 67020 | 1 | Repair Kit |
| 13 | 67020 | 1 | Repair Kit |
| 14 | 67020 | 1 | Repair Kit |
| 15 | 67020 | 1 | Repair Kit |
| 16 | 67020 | 1 | Repair Kit |
| | 70811 | 1 | Diaphragm & Gasket Kit |
| 17 | 67020 | 1 | Repair Kit |
| | 70811 | 1 | Diaphragm & Gasket Kit |
| 18 | 67020 | 1 | Repair Kit |
| | 70811 | 1 | Diaphragm & Gasket Kit |
| 19 | 67020 | 1 | Repair Kit |
| | 70811 | 1 | Diaphragm & Gasket Kit |
| 20 | 93910A | 1 | Check Valve Kit |



| Ref # | Part Number | Qty | Description |
|-------|-------------|-----|-------------------------------|
| 1 | A64518 | 1 | HOUSING- Fan |
| 2 | 64443 | 1 | BUSHING- Starter |
| 3 | 67177 | 1 | BUSHING- Rope |
| 4 | 59067 | 1 | DRIVE- Stud |
| 5 | 80899 | 1 | SCREW- Hex 12-24 x 9/16 |
| 6 | 58963 | 3 | SCREW- Hex 12-24 x 1 1/16 |
| 7 | A93875 | 1 | ROPE- Starter 48" long #5 |
| 8 | 93862 | 1 | WASHER- Flat (nylon) |
| 9 | A69962B | 1 | GRIP- Starter rope |
| 10 | 70018A | 1 | INSERT |
| 11 | 95231 | 1 | PLATE-"On-Off" |
| 12 | A94850 | 1 | LEAD- Ground (solid state) |
| | A59031 | 1 | LEAD- Ground (point ignition) |
| 13 | 96831 | 1 | SWITCH & LEAD |
| 14 | 72084A1 | 1 | NUT |
| 15 | 59638B | 1 | SHIELD- Spring (inner) |
| 16 | A94842 | 1 | SPRING- Recoil |
| 17 | A64446 | 1 | PULLEY- Starter |
| 18 | 94827 | 1 | BUSHING- Spring |
| 19 | 58763 | 1 | WASHER- Retainer |
| 20 | 80648 | 1 | SCREW- Hex 10-32 x 1/2 |

TOOLS FOR XL-12

| DESCRIPTION | PART NO. |
|---|----------|
| PLIERS- Piston snap ring | 22828 |
| PLUG- Bearing assembly & disassembly | 23758 |
| PLUG- Bearing assembly & disassembly Drive & Crankcase | 23757 |
| PLUG- Seal assembly-drive & crankcase | 23758 |
| PLUG- Piston pin removal Includes: | A-23949 |
| "O" RING | 87900 |
| PULLER- Magneto remover | A-24290 |
| SLEEVE- Seal protecting-crankcase | 23759 |
| SLEEVE- Seal installation-drive and crankcase | 23800 |
| WRENCH- Hex socket screw (conn rod) | 23828 |
| WRENCH- Spanner to assembly & disassemble clutch Includes: | A-23834 |
| PIN | 23854 |
| WRENCH- Socket | 88851 |
| SCREWDRIVER | 24541 |
| TOOL- Clutch removal (for clutch conversion kit) | A-17146 |

TOOLS FOR THE SXL-AO

| DESCRIPTION | PART NO. |
|---|----------------|
| ANVIL- Crankshaft | 23848-4 |
| COLLAR- Ball bearing installation | 22820-1 |
| DRIVER- Check valve (for SDC carburetor) | 24173 |
| JACKSCREW | A-23137 |
| PLIERS- Piston snap ring | 22828 |
| PLUG- Bearing assembly connecting rod Drive & Crankcase | 23758 23757 |
| PLUG- Seal assembly - drive & crankcase | 23758 |
| PLUG- Seal installation Drivecase assembly | 23845 |
| PLUG- Piston pin removal Includes: | A-23949 |
| "O" RING | 87900 |
| PULLER- Magneto remover | A-24290 |
| SLEEVE- Bearing & Shaft Installation | 23864-A |
| SLEEVE- Bearing & Shaft Installation | 23136-2A |
| SLEEVE- Seal protecting | 23844 |
| SLEEVE- Seal protecting crankcase | 23759 |
| SLEEVE- Seal installation drivecase | 23843 |
| SLEEVE- Seal installation drive & crankcase | 23800 |
| WRENCH- Hex socket screw (connecting rod) | 23828 |
| WRENCH- Spanner to assemble & Disassemble clutch Includes: | A-23834 |
| PIN | 23854 |
| WRENCH- Socket | 88851 |
| WRENCH- Insert | A-24322 |
| SCREWDRIVER | 24541 |
| TOOL- Clutch removal (for clutch conversion kit) | A-17146 |
| BIT- Driver torx 1/4" hex shank | 24982-01 |
| BIT- Driver torx 5/16" hex shank | 24982-02 |

ACCESSORIES

| DESCRIPTION | PART NO. | XL-12 | SXL-AO |
|--|------------|-------|--------|
| CLUTCH- Conversion Kit (Lined) Includes: | A-88745 | 1 | 1 |
| SHOE- Clutch | A-83832-A | 3 | 3 |
| SPIDER- Clutch | 83839 | 3 | 3 |
| SPRING- Clutch | 83814-A | 3 | 3 |
| SPROCKET & DRUM | A-85485 | 1 | 1 |
| THRUST WASHER | 83843 | 1 | 1 |
| THRUST WASHER | 83850 | 1 | 1 |
| THRUST WASHER | 85084 | 1 | 1 |
| KIT- Manual oil pump (Prior to s/n 80440891) | A-85898 | | 1 |
| Includes: | | | |
| BUTTON | 57289-1 | | 1 |
| LINE- OIL | A-88819 | | 1 |
| Includes: | | | |
| GROMMET | 58794 | | 1 |
| VALVE- Check | A-88818 | | 1 |
| FILTER- OIL (Intake) | A-88804-A | | 1 |
| PLUNGER | A-57834-10 | | 1 |
| Includes: | | | |
| "O" RING | 74388 | | 1 |
| "O" RING | 88074 | | 1 |
| SPRING | 88283 | | 1 |

When this Kit is assembled to the unit, the unit will have a complete manual oil pump system.

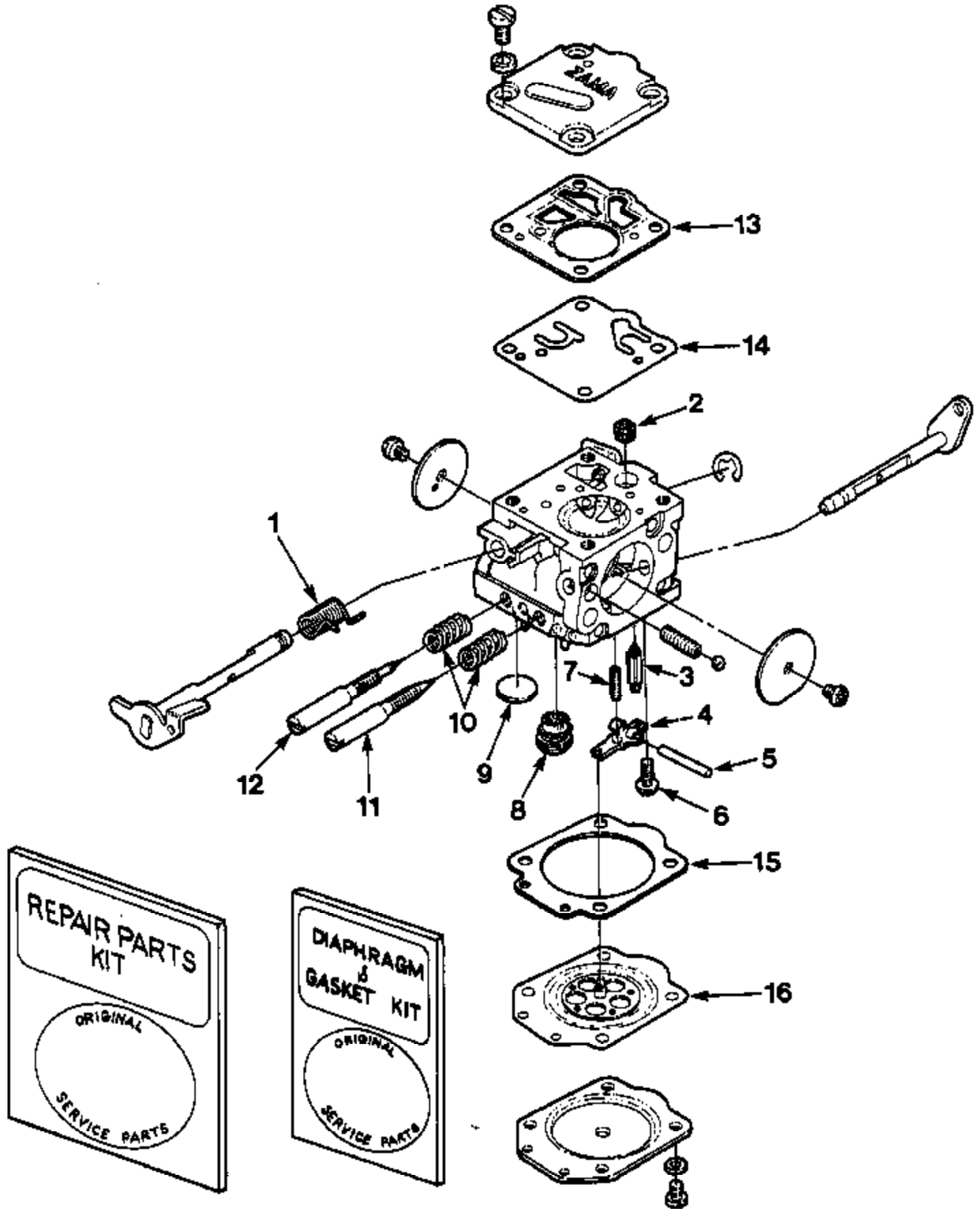
| | | | |
|---|------------|--|---|
| KIT- Hand guard | A-70910-A | | 1 |
| Includes: | | | |
| WASHER | 88851-2 | | 1 |
| WASHER | 70768 | | 1 |
| SLEEVE | 70911 | | 1 |
| SCREW- Machine flat hd. | 70928 | | 1 |
| SCREW | 80946 | | 1 |
| NUT | 81225 | | 1 |
| SCREW | 82223 | | 1 |
| DECAL | 98990 | | 1 |
| KIT- Hand Guard | A-70944-A | | 1 |
| Includes: | | | |
| WASHER | 88851-2 | | 1 |
| WASHER | 70768 | | 1 |
| SLEEVE | 70911 | | 1 |
| SCREW | 80946 | | 1 |
| NUT | 81225 | | 1 |
| KIT- Safe-T-TIP (Standard) | DA-70780-A | | 1 |
| Includes: | | | |
| SCREW | 82335 | | 1 |
| CARRY CASE | 98920 | | 1 |
| REEL- Starting rope (250 Ft.) #5 | 57084-1 | | 1 |
| KIT- Insert (for drivecase guide barrels) | A-70370-A | | 1 |
| TUBING- Rubber 10 ft. (Fuel) | 70310-88 | | 1 |
| TUBING- Rubber 10 ft. (Oil) | 70309-89 | | 1 |
| THROTTLE HANDLE | | | |
| CONVERSION KIT (For the XL-12 single reed system) | A-97553 | | 1 |

PAINT

| DESCRIPTION | PART NO. | XL-12 | SXL-AO |
|----------------|----------|-------|--------|
| LACQUER- Red | 23475 | 1 | 1 |
| LACQUER- Black | 22772 | 1 | 1 |

| Ref # | Part Number | Qty | Description |
|------------|-------------|-----|--|
| 22828 | 22828 | 1 | PLIERS- Piston snap ring |
| 23756 | 23756 | 1 | PLUG- Bearing assembly & disassembly |
| 23757 | 23757 | 1 | PLUG- Bearing assembly & disassembly Drive & Crankcase |
| 23758 | 23758 | 1 | PLUG- Seal assembly-drive & crankcase |
| A-23949 | A23949 | 1 | PLUG- Piston pin removal |
| 67900 | 67900 | 1 | "O" RING |
| A-24290 | A24290 | 1 | PULLER- Magneto remover |
| 23759 | 23759 | 1 | SLEEVE- Seal protecting-crankcase |
| 23800 | 23800 | 1 | SLEEVE- Seal installation-drive and crankcase |
| 23528 | 23528 | 1 | WRENCH- Hex socket screw (conn rod) |
| A-23934 | A23934 | 1 | WRENCH- Spanner to assembly & disassemble clutch |
| 23954 | 23954 | 1 | PIN |
| 68651 | 68651 | 1 | WRENCH- Socket |
| 24541 | 24541 | 1 | SCREWDRIVER |
| A-17146 | A17146 | 1 | TOOL- Clutch removal (for clutch conversion kit) |
| 238464 | 238464 | 1 | ANVIL- Crankshaft |
| 22820-1 | 228201 | 1 | COLLAR- Ball bearing installation |
| 24173 | 24173 | 1 | DRIVER- Check valve (or SDC carburetor) |
| A-23137 | A23137 | 1 | JACKSCREW |
| 22828 | 22828 | 1 | PLIERS- Piston snap ring |
| 23756 | 23756 | 1 | PLUG- Bearing assembly connecting rod |
| 23757 | 23757 | 1 | Drive & Crankcase |
| 23758 | 23758 | 1 | PLUG- Seal assembly - drive & crankcase |
| 23845 | 23845 | 1 | PLUG- Seal installation drivecase assembly |
| A-23949 | A23949 | 1 | PLUG- Piston pin removal |
| 67900 | 67900 | 1 | "O" RING |
| A-24290 | A24290 | 1 | PULLER- Magneto remover |
| 23884-A | 23884A | 1 | SLEEVE- Bearing & Shaft installation |
| 23136-2A | 231362A | 1 | SLEEVE- Bearing & Shaft installation |
| 23844 | 23844 | 1 | SLEEVE- Seal protecting |
| 23759 | 23759 | 1 | SLEEVE- Seal protecting crankcase |
| 23843 | 23843 | 1 | SLEEVE- Seal installation drivecase |
| 23800 | 23800 | 1 | SLEEVE- Seal installation drive & crankcase |
| 23528 | 23528 | 1 | WRENCH- Hex socket screw (connecting rod) |
| A-23934 | A23934 | 1 | WRENCH- Spanner to assemble & Disassemble clutch |
| 23954 | 23954 | 1 | PIN |
| 68651 | 68651 | 1 | WRENCH- Socket |
| A-24322 | A24322 | 1 | WRENCH- Insert |
| 24541 | 24541 | 1 | SCREWDRIVER |
| A-17146 | A17146 | 1 | TOOL- Clutch removal (for clutch conversion kit) |
| 2498201 | 2498201 | 1 | BIT- Driver torx 1/4" hex shank |
| 2498202 | 2498202 | 1 | BIT- Driver torx 5/16" hex shank |
| A-96745 | A96745 | 1 | CLUTCH- Conversion Kit (Lined) |
| A-93632-A | A93632A | 3 | SHOE- Clutch |
| 93639 | 93639 | 3 | SPIDER- Clutch |
| 93814-A | 93814A | 3 | SPRING- Clutch |
| A-95465 | A95465 | 1 | SPROCKET & DRUM |
| 93643 | 93643 | 1 | THRUST WASHER |
| 93650 | 93650 | 1 | THRUST WASHER |
| 65064 | 65064 | 1 | THRUST WASHER |
| A-65868 | A65868 | 1 | KIT- Manual oil pump (Prior to s/n 50440501) |
| 57289-1 | 572891 | 1 | BUTTON |
| A-59819 | A59819 | 1 | LINE- Oil |
| 59794 | 59794 | 1 | GROMMET |
| A-59818 | A59818 | 1 | VALVE- Check |
| A-59804-A | A59804A | 1 | FILTER- Oil (intake) |
| A-57834-10 | A5783410 | 1 | PLUNGER |
| 74388 | 74388 | 1 | "O" RING |

| Ref # | Part Number | Qty | Description |
|-----------|-------------|-----|--|
| 59074 | 59074 | 1 | "O" RING |
| 59293 | 59293 | 1 | SPRING |
| A-70910-A | A70910A | 1 | KIT- Hand guard |
| 588512 | 588512 | 1 | WASHER |
| 70788 | 70788 | 1 | WASHER |
| 70911 | 70911 | 1 | SLEEVE |
| 70926 | 70926 | 1 | SCREW- Machine flat hd. |
| 80945 | 80945 | 1 | SCREW |
| 81225 | 81225 | 1 | NUT |
| 82223 | 82223 | 1 | SCREW |
| 96990 | 96990 | 1 | DECAL |
| A-70944-A | A70944A | 1 | KIT- Hand Guard |
| 588512 | 588512 | 1 | WASHER |
| 70788 | 70788 | 1 | WASHER |
| 70911 | 70911 | 1 | SLEEVE |
| 80945 | 80945 | 1 | SCREW |
| 81225 | 81225 | 1 | NUT |
| DA70790A | DA70790A | 1 | KIT- Safe-T-TIP (Standard) |
| 82335 | 82335 | 1 | SCREW |
| 95920 | 95920 | 1 | CARRY CASE |
| 57084-1 | 570841 | 1 | REEL- Starting rope (250 Ft.) #5 |
| A-70370-A | A70370A | 1 | KIT- Insert (for drivecase guide barstuds) |
| 7031099 | 7031099 | 1 | TUBING- Rubber 10 ft. (Fuel) |
| 7030999 | 7030999 | 1 | TUBING- Rubber 10 ft. (Oil) |
| A-97553 | A97553 | 1 | THROTTLE HANDLE CONVERSION KIT (For the XL-12 single reed system) |
| 23475 | 23475 | 1 | LACQUER- Red |
| 22772 | 22772 | 1 | LACQUER- Black |



| Ref # | Part Number | Qty | Description |
|-------|-------------|-----|------------------------|
| 1 | 94954 | 1 | Repair Kit |
| 2 | 94954 | 1 | Repair Kit |
| 3 | 94954 | 1 | Repair Kit |
| 4 | 94954 | 1 | Repair Kit |
| 5 | 94954 | 1 | Repair Kit |
| 6 | 94954 | 1 | Repair Kit |
| 7 | 94954 | 1 | Repair Kit |
| 8 | 94954 | 1 | Repair Kit |
| 9 | 94954 | 1 | Repair Kit |
| 10 | 94954 | 1 | Repair Kit |
| 11 | 94954 | 1 | Repair Kit |
| 12 | 94954 | 1 | Repair Kit |
| 13 | 94954 | 1 | Repair Kit |
| | 94952 | 1 | Diaphragm & Gasket Kit |
| 14 | 94954 | 1 | Repair Kit |
| | 94952 | 1 | Diaphragm & Gasket Kit |
| 15 | 94954 | 1 | Repair Kit |
| | 94952 | 1 | Diaphragm & Gasket Kit |
| 16 | 94954 | 1 | Repair Kit |
| | 94952 | 1 | Diaphragm & Gasket Kit |