

# PARTS LIST

**XEL-8 XEL-12**

**XEL-10 XEL-14**

**PART NO. 17214-A**

**Printed in U.S.A.**

**Price 35¢**

**(SUPERSEDES 17214)**

**UT16100**

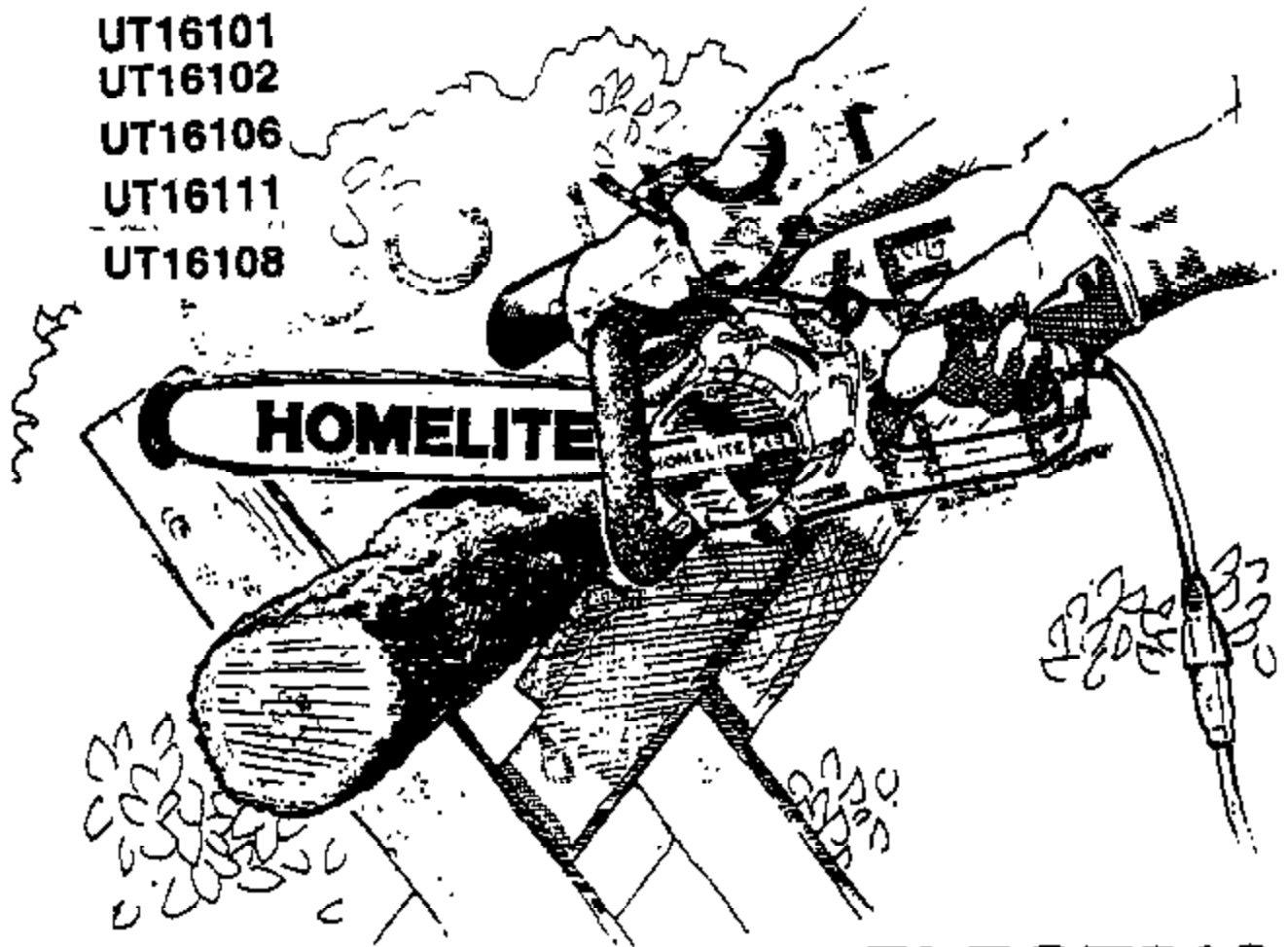
**UT16101**

**UT16102**

**UT16106**

**UT16111**

**UT16108**

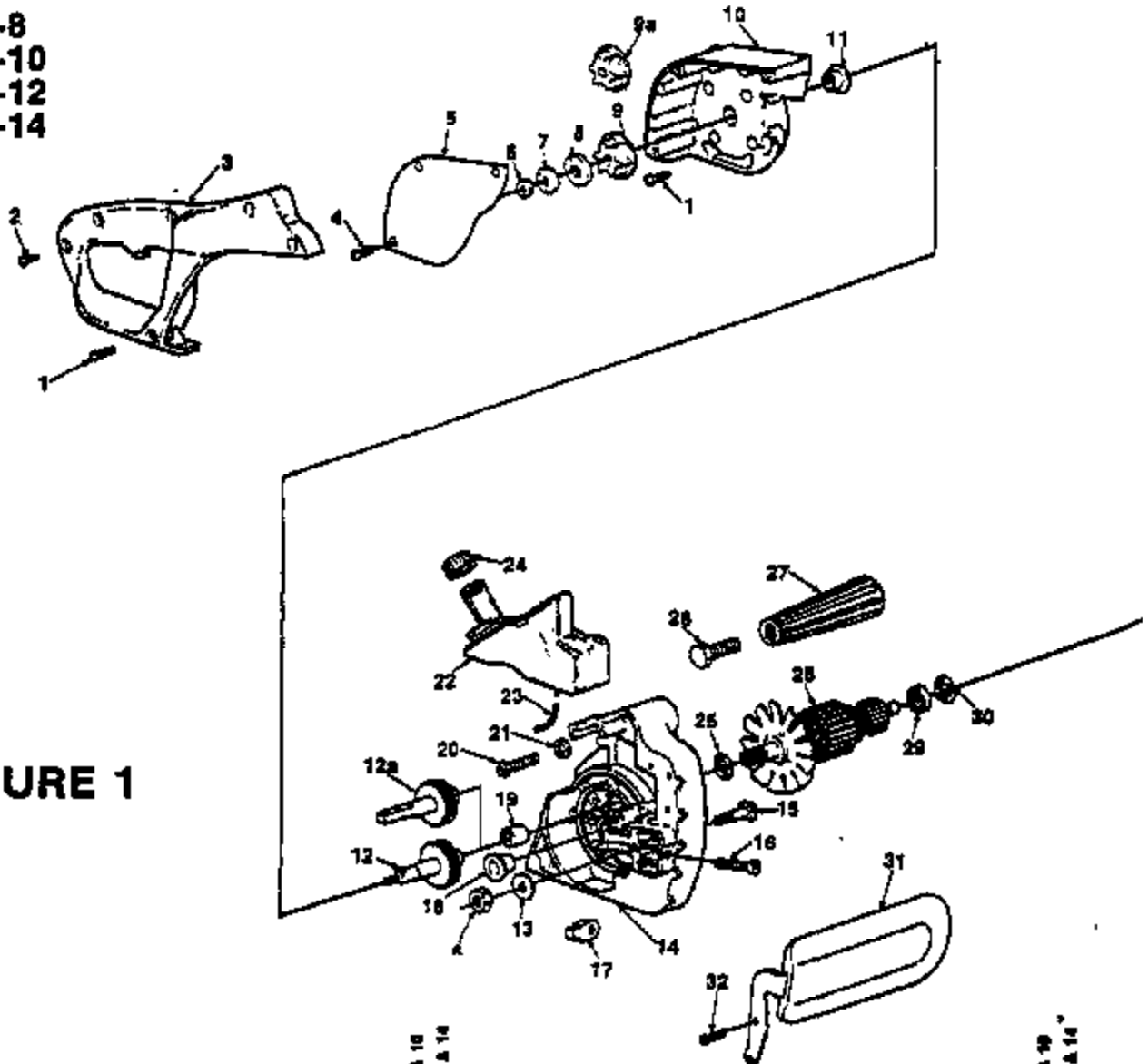


## **ELECTRIC CHAIN SAWS**

### **HOMELITE TEXTRON**

— Home Division of Textron Inc

**XEL-8  
XEL-10  
XEL-12  
XEL-14**

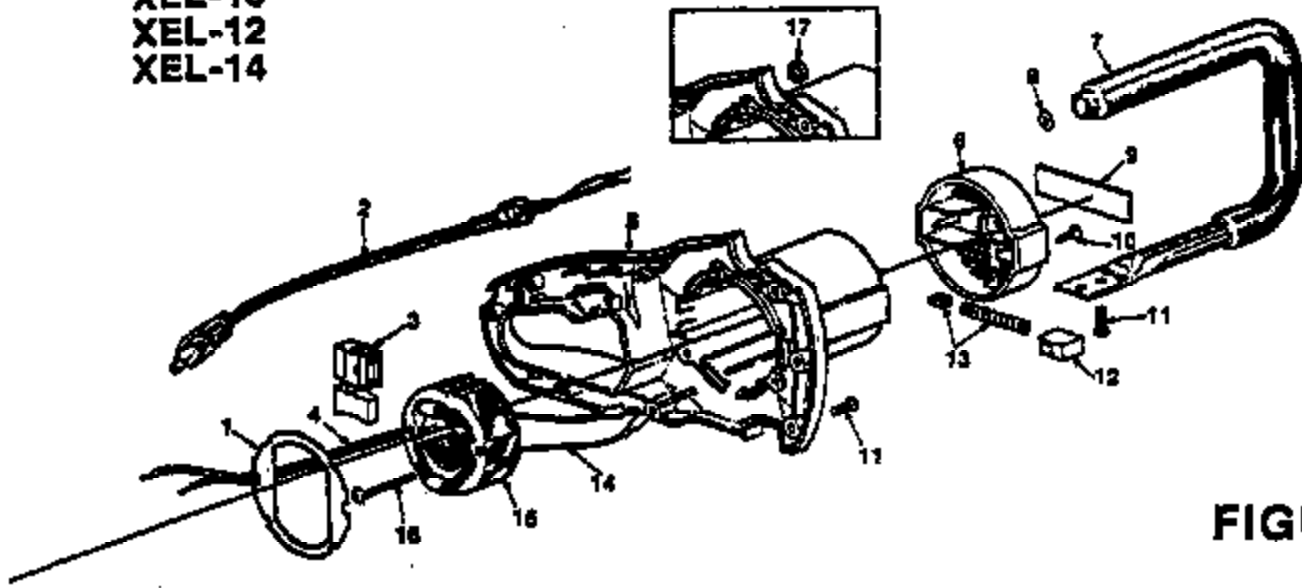


**FIGURE 1**

No.	Description	Part No.	XEL-8 & 10		XEL-12 & 14		No.	Description	Part No.	XEL-8 & 10		XEL-12 & 14	
			Qty.	Qty.	Qty.	Qty.							
1	SCREW- 8-32 x 3/8	82331	x	x	7	18	BEARING- Sleeve	93002	x	x	1		
2	SCREW- 10-16 x 9/16	93243	x	x	4	19	BEARING- Sleeve	93003	x	x	1		
3	COVER- Handle	70883	x	x	1	20	SCREW- 1/4-20 x 1	80284	x	x	1		
4	SCREW- 8-32 x 3/8	80577-2	x	x	3	21	WASHER- Flat	84020	x	x	1		
5	COVER- Sprocket	70997-1	x	x	1	22	OIL TANK	A-83876-A	x	x	1		
6	NUT- Hex, 1/4-28	81086-2	x		1		Includes:						
	NUT- Hex, 1/4-28	81086-2		x	2	23	TUBING- Rubber	85302	x	x	1		
7	WASHER- Belleville	93231		x	1	24	CAP- Oil	93017	x	x	1		
8	WASHER- D (Note 1)	93041		x	1	25	WASHER- Thrust	85070	x	x	1		
9a	SPROCKET	93008	x		1	26	SCREW- 3/8-16 x 1	80085	x		1		
9	SPROCKET	93004		x	1	27	HANDLE- Auxiliary	93067	x		1		
10	COVER- Drivcase	A-83233	x	x	1	28	ARMATURE	A-84323	x	x	1		
	Includes:						Includes:						
11	BEARING- Sleeve	93002	x	x	1	29	BEARING- Ball	94006	x	x	1		
12a	SHAFT- Drive	A-93186	x		1	30	WASHER- Finger spring	84037	x	x	1		
12	SHAFT- Drive	A-83167		x	1	31	GUARD- Hand	*A-84333	x	x	1		
13	WASHER- Flat	89308-A	x	x	1		Includes:						
14	DRIVECASE	A-83235	x	x	1	32	SCREW- 8-32 x 5/8	82351	x	x	2		
	Includes:						* OPTIONAL ON THE 8"						
18	BOLT- Guide bar	89195	x		1								
16	SCREW- Adjusting 8-32 x 7	80220-2		x	1								
17	PIN- Adjusting	89264-1A		x	1								

NOTE 1 - Install with cupped side of washer toward sprocket.

**XEL-8  
XEL-10  
XEL-12  
XEL-14**



**FIGURE 2**

**ACCESSORIES**

- 17236 PLUG- Sleeve bearing
- 17237 GREASE- 8 oz. tube
- 22772 PAINT- Black 12 oz. spray can
- 94305 CORD- (50 ft.)
- 24814 WRENCH- Guide bar nut

No.	Description	Part No.	XEL-8 & 10	XEL-12 & 14	Qty.
1	BAFFLE- Fan	93741	x	x	1
2	POWER CORD	70998	x	x	1
3	SWITCH (Note 1)	93013	x	x	1
4	SLEEVE- insulation	93975	x	x	1
5	HOUSING- Motor (Note 2)	A-93236	x	x	1
6	HOUSING- End	70987	x	x	1
7	HANDLE BAR	A-93059	x	x	1
	Includes:				
8	NUT- Tube connecting	93818	x	x	1
9	DECAL	93247	x	x	1
10	SCREW- 10-16 x 9/16	93243	x	x	2
11	SCREW- 8-32 x 5/8	93331	x	x	7
	SCREW- 8-32 x 5/8	93331	x	x	9
12	HOLDER- Brush	93038-A	x	x	2
13	BRUSH AND SPRING	A-94334	x	x	2
14	LEAD- Brush (Note 3)	A-94370-A	x	x	1
15	FIELD (Note 4)	93034-1A	x	x	1
16	SCREW- 10-16 x 1 3/4	93244	x	x	2
17	BUTTON- Lock (Note 5)	94214	x	x	1
	SAFETY TIP (not shown)	A-70778-A	x	x	1
	Includes:				
	SCREW- Special (not shown)	93585	x	x	1

NOTE 1- Use 93014 Switch Button on XEL 12 & 14 on units prior to Lot #C038.

NOTE 2- Use A-70998 Motor Housing on XEL 12 & 14 on units prior to Lot #C038.

NOTE 3- Use A-93236-A Brush Lead on XEL 12 & 14 on units prior to Lot #C038.

NOTE 4- Use 93034-A Field on XEL 12 & 14 on units prior to Lot #C038.

NOTE 5- Use 94214 Lock Button on XEL 12 & 14 prior to Lot #C038.

\* OPTIONAL ON 8" SAWS

21419

**FORESTRY PRODUCTS DIVISION  
P.O. BOX 7047  
14461 CAROWINDS BOULEVARD  
CHARLOTTE, NORTH CAROLINA 28217**

**HOMELITE** **TEXTRON**

Homelite Division of Textron Inc.