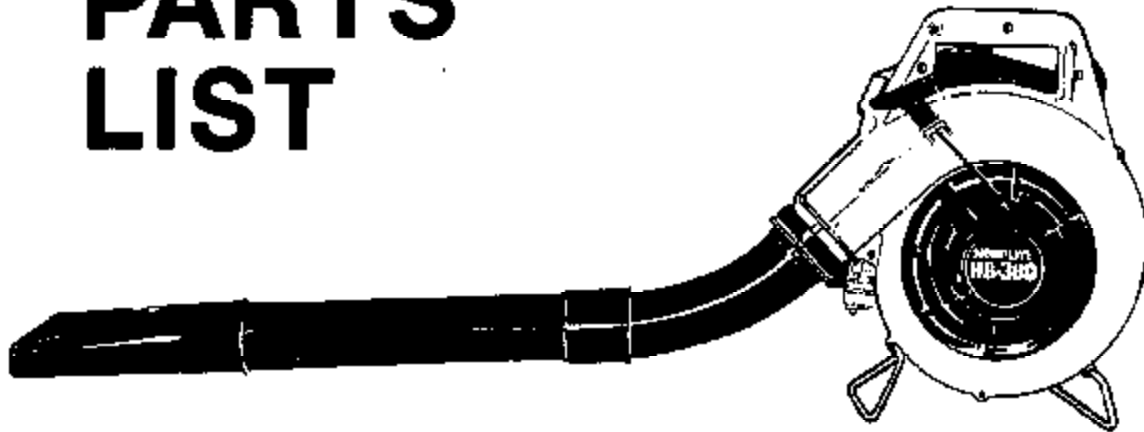


**PART NO. 17855**

Printed in U.S.A.

Price 35¢

**HOMELITE<sup>®</sup>  
JACOBSEN<sup>™</sup>  
PARTS  
LIST**



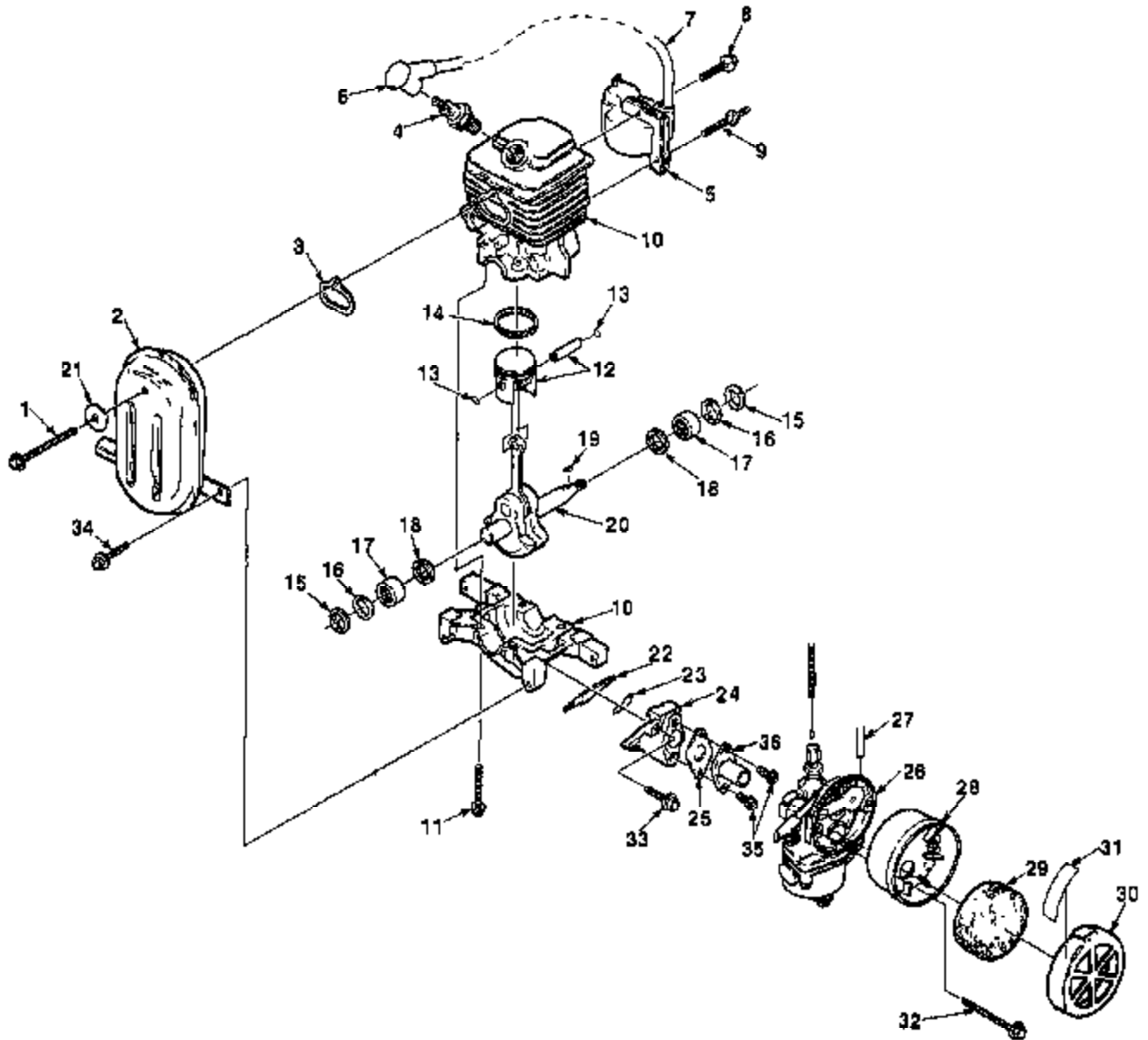
**HB-380  
BLOWER  
(UT-08006)**

**HOMELITE TEXTRON**

Homelite Division of Textron, Inc.

**Model HB-380**

**FIGURE 1**



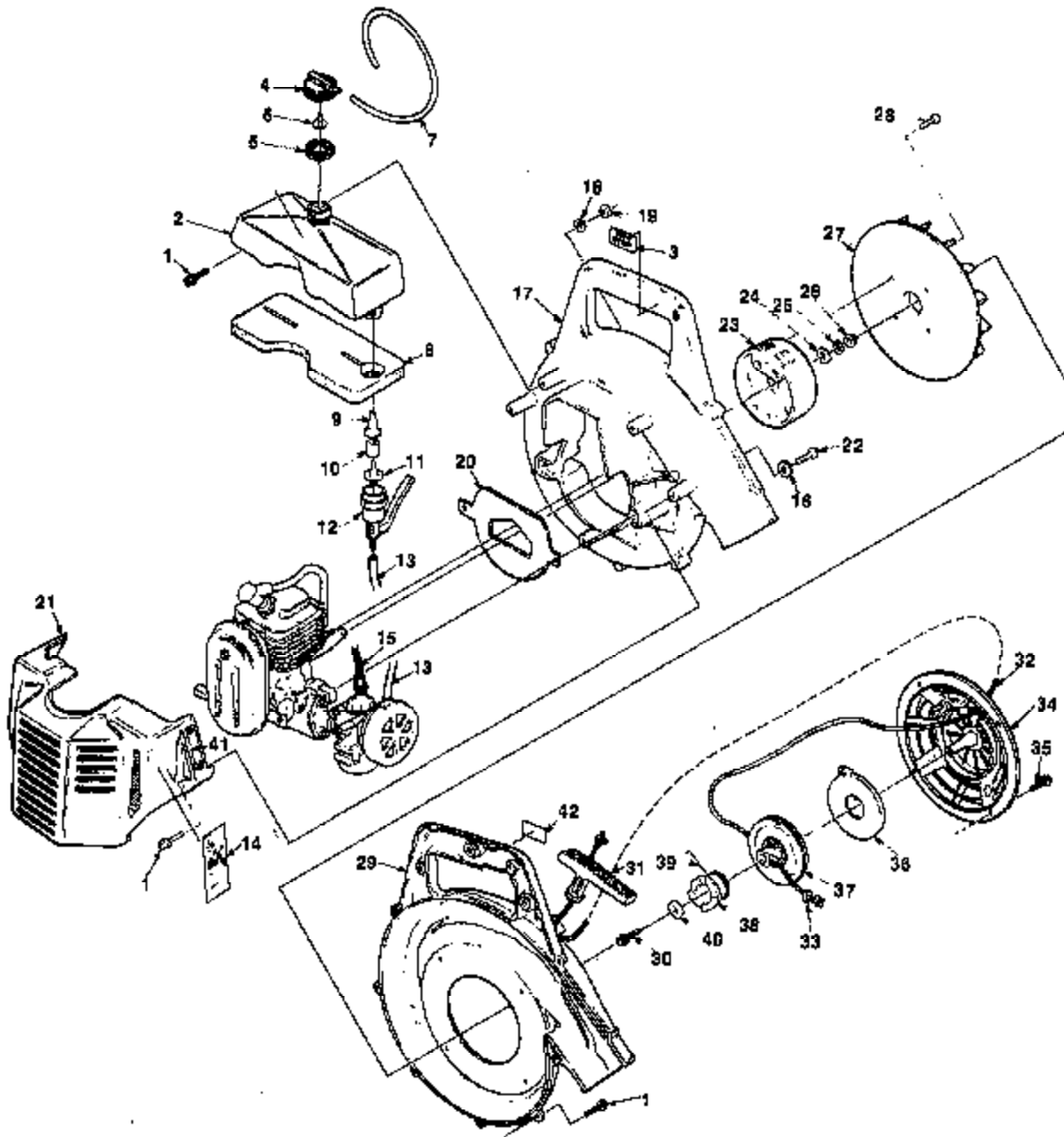
## Model HB-380

## FIGURE 1

NO.	DESCRIPTION	PART NO.	QTY.
1	SCREW- Hex sems (10-24 x 2)	88057	1
2	MUFFLER	A-85757-1B	1
3	GASKET- Muffler	88801	1
4	SPARK PLUG (DJ-TY)	88188-S	1
5	MODULE- Ignition	94711-A	1
	Includes		
6	TERMINAL	A-33055	1
7	LEAD- High tension	88826	1
8	SCREW- Hex washer (8-32 x 3/4)	82248	1
9	STAND- OFF	96736	1
10	CRANKCASE & CYLINDER	A-97529-2A	1
	Includes		
11	SCREW- Semi hex hd (8-32 x 1)	88044	4
12	PISTON & PIN ASSEMBLY	A-98127	1
	Includes		
13	RING- Piston pin retaining	98088	2
14	PISTON RING	98936	1
15	SEAL- Shaft	94638	2
16	SPACER- Seal	88614	2
17	BEARING- Needle	12530	2
18	BEARING- Thrust	95492	2
19	KEY- Magneto	88250	1
20	CRANKSHAFT & ROD	A-97855	1
21	WASHER- Flat	70832	1
22	GASKET- Housing	87080	1
23	REED	95983	1
24	SPACER- Carburetor	97571	1
25	GASKET- Manifold	87138	1
26	CARBURETOR	A-87154-A	1
27	TUBING- Rubber 3 1/2"	84772-14	1
28	HOUSING- Air filter	85016	1
29	FILTER ELEMENT- Air	85748	1
30	COVER- Air filter	A-88133	1
	Includes		
31	DECAL	88134	1
32	SCREW- Mach (8-32 x 3/5)	88041	2
33	SCREW- (10-24 x 812)	83834	2
34	SCREW- Hex sems (#10-24 x 3/4)	88051	2
35	SCREW- Mach hex (10-24 x 3/8)	82447	2
36	ADAPTOR- Carburetor	85044-1	1

**Model HB-380**

**FIGURE 2**



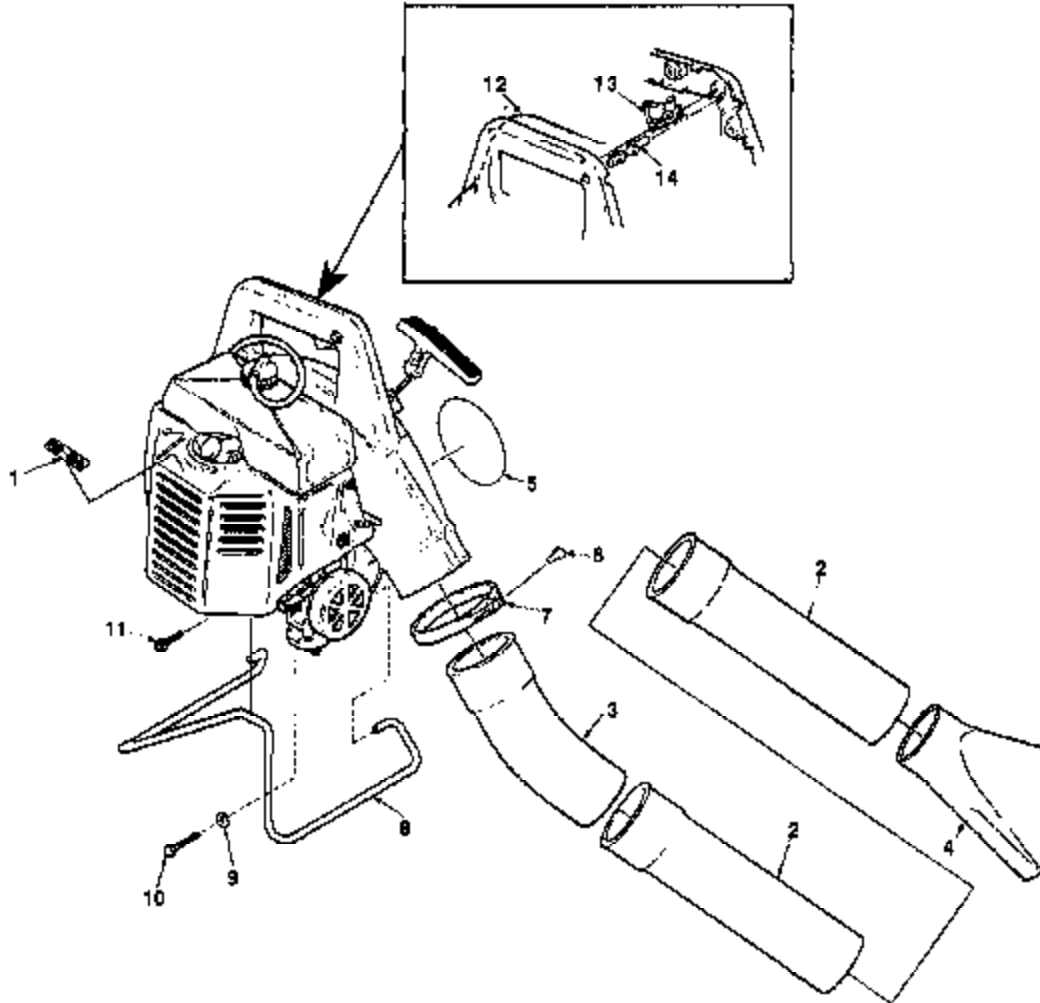
## Model HB-380

## FIGURE 2

NO.	DESCRIPTION	PART NO.	QTY.
1	SCREW- Thread forming (Plastic #10 x .750)	70771	13
2	TANK- Fuel	93739-E	1
3	DECAL- Stop	98100	1
4	CAP- Fuel	A-97625	1
	Includes:		
5	GASKET- Fuel cap	94494	1
6	VALVE- Check	94531-1	1
7	TUBING- Rubber 1/8"	94772-72	1
8	PAD- Foam	97627	1
9	FILTER- Fuel	97675	1
10	SPACER- Rubber	97676	1
11	FITTING- Fuel	95009	1
12	VALVE- Fuel line	A-97118	1
13	TUBING- Rubber 3 1/2"	94772-14	1
14	DECAL- Instruction	98118	1
15	CABLE- Throttle	95016-A	1
16	WASHER- Flat #10	94110	2
17	HOUSING- Volute	98115	1
18	WASHER- Flat #10	94003	1
19	NUT- Centerlock (10-24)	91208	1
20	BACKPLATE	95990	1
21	SHROUD	95746-C	1
22	SCREW- Hex same (#10-24 x 3/4)	94051	2
23	ROTOR- Magneto	95733	1
24	WASHER- Flat 5/16	94065	1
25	WASHER- Lock (5/16)	93002	1
26	NUT- Hex (5/16-24)	91117	1
27	FAN	95720-C	1
28	SCREW- Pan mach. hd. (10-32 x 7/16)	92398-1	4
29	HOUSING- Volute	A-98140	1
30	SCREW- Thread forming (10 x 1 1/4)	92392	1
31	GRIP- Starter	70211	1
32	ROPE- Starter 42" #4	A-93876	1
	Includes:		
33	WASHER- Nylon	93862	1
34	HOUSING- Starter	95719-A	1
35	SCREW- Thread forming (#10 x 5/8)	92409	4
36	SPRING- Rewind	A-94918-A	1
37	PULLEY- Starter	94363-A	1
38	RATCHET- Starter	95803	1
39	LEVER- Ratchet	94606-A	1
40	WASHER- Flat	98098	1
41	DECAL- Fuel (on & off)	97399	1
42	DECAL- Run	95181	1

**Model HB-380**

**FIGURE 3**

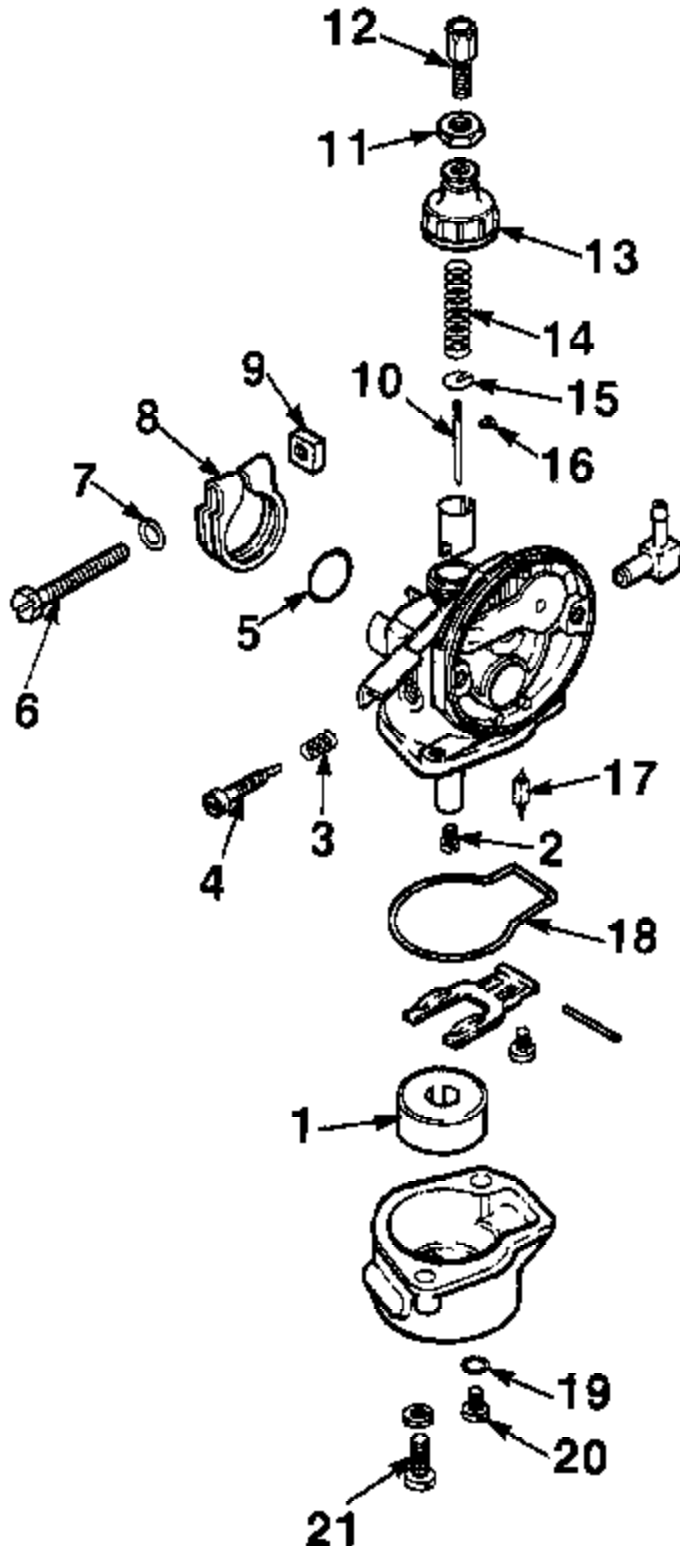


NO.	DESCRIPTION	PART NO.	QTY.
1	DECAL- (HB-380)	98117	1
2	TUBING- Plastic (#14)	95738-A	2
3	TUBING- Plastic (10" curved)	95731-A	1
4	NOZZLE- Sweeper	95329-A	1
5	DECAL- (HB-380)	98116	1
6	SCREW- Oval hd. (R.H.) (10-24 x 1 1/2)	48044	1
7	CLAMP	95785-A	1
8	STAND- Wire	98183-A	1
9	WASHER- Flat (#8)	84103	2
10	SCREW- Sems hex hd. (8-32 x 1.25)	88045	2
11	SCREW- Thread forming (plastic #10 x .750)	70771	13
12	CABLE- Throttle	95015-A	1
13	TRIGGER	98099	1
14	BUTTON	98095	1

Model HB-380

FIGURE 4

**CARBURETOR**  
(Keihin)  
**A-97154-A**



NO.	DESCRIPTION	PART NO.	QTY.
1	FLOAT	97730	1
2	JET- Main	97729	1
3	SPRING- Coil	97807	1
4	SCREW- Stop	97810	1
5	"O" RING	97733	1
6	BOLT- Hex	97812	1
7	WASHER	97813	1
8	CLAMP- Outlet	97806	1
9	NUT- Square	97811	1
10	NEEDLE- Jet	97732	1
11	NUT- Hex	97809	1
12	ADJUSTER	97731	1
13	TOP	97808	1
14	SPRING- Coil	97736	1
16	PLATE	97740	1
18	CLIP	97734	1
17	VALVE- Float	97735	1
18	"O" RING	97717	1
19	WASHER	97737	1
20	SCREW- Pan	97739	1
21	SCREW- Pan w/washer	97738	2

ALWAYS FURNISH MODEL AND SERIAL NUMBER WHEN ORDERING PARTS.

**HOMELITE DIVISION OF TEXTRON INC.**  
P.O. BOX 7047  
14401 CAROWINDS BOULEVARD  
CHARLOTTE, N.C. 28217

0528717

**HOMELITE** **TEXTRON**

Homelite Division of Textron Inc.