

**HOMELITE®
BLOWER**
Model HB-280

UT08002

PART NO. 17637
Printed in U.S.A.
Price 35¢

**UT08002A
UT08005**

PARTS LIST

**HOMELITE®
BLOWER**
Model HB-480

**UT08001
UT08001-A**

**UT08000
UT08000-A**

**HOMELITE®
MISTER/
BLOWER**
Model HB-680

**HOMELITE
TEXTRON**

Homelite Division of Textron Inc.

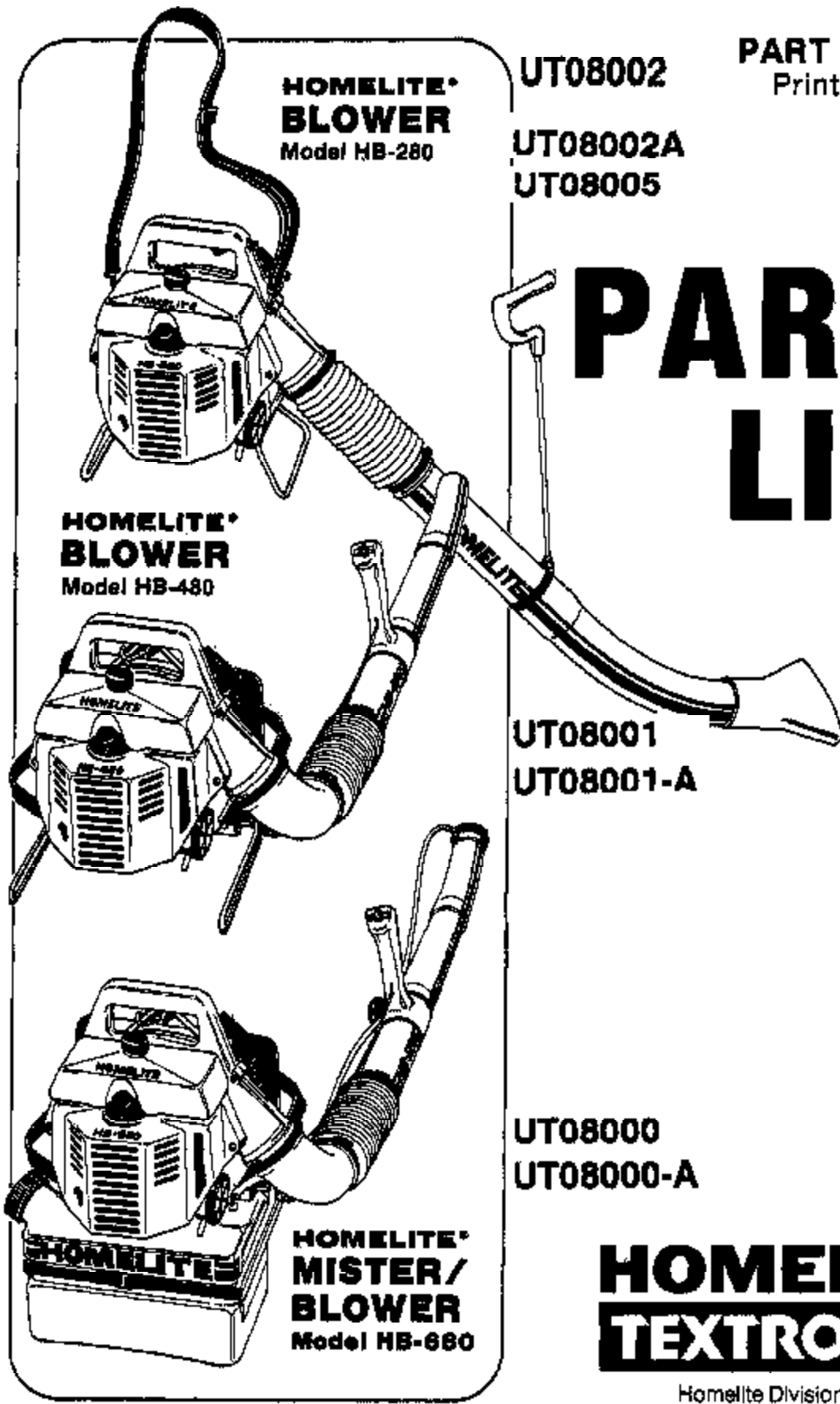
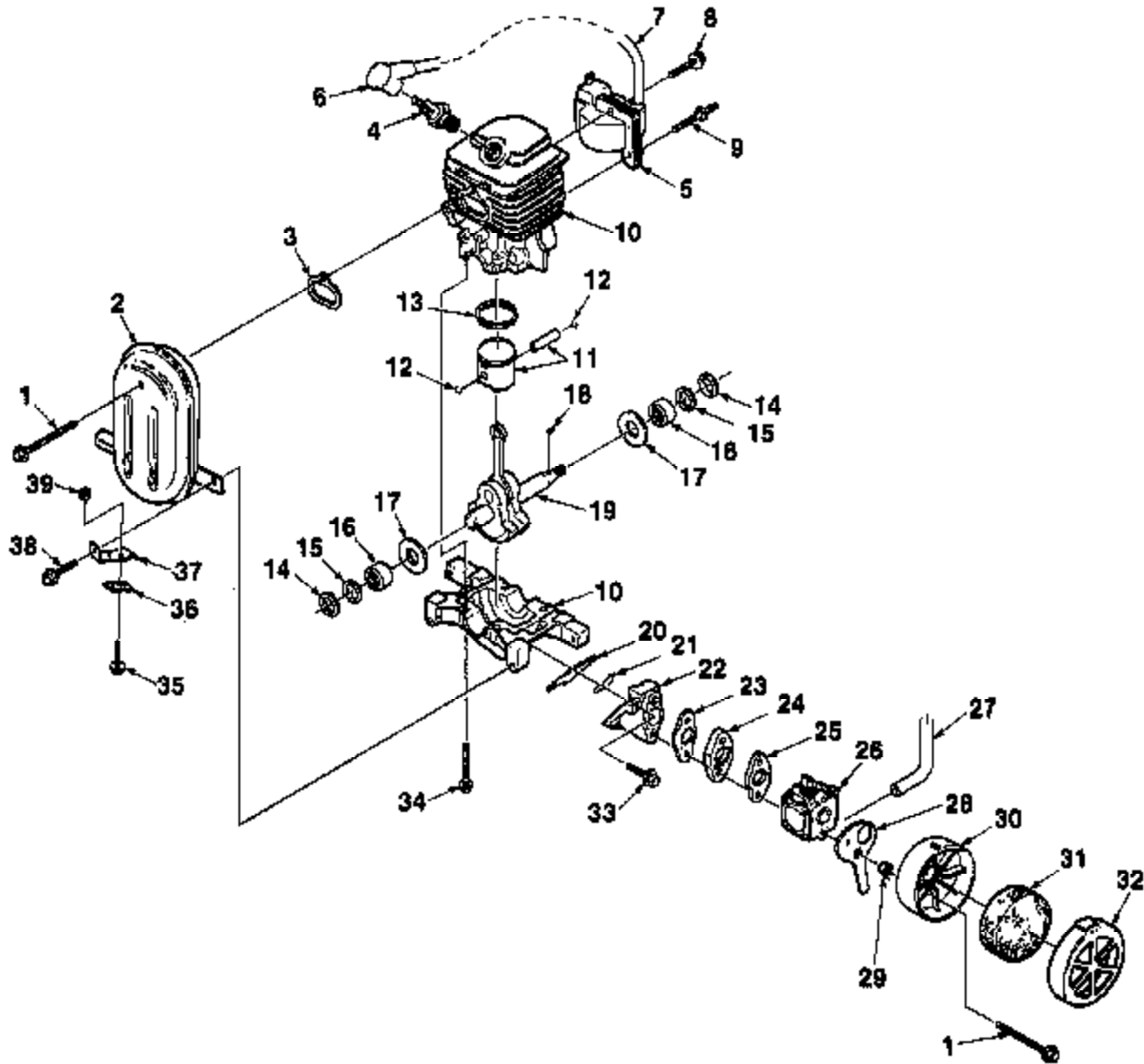


FIGURE 1

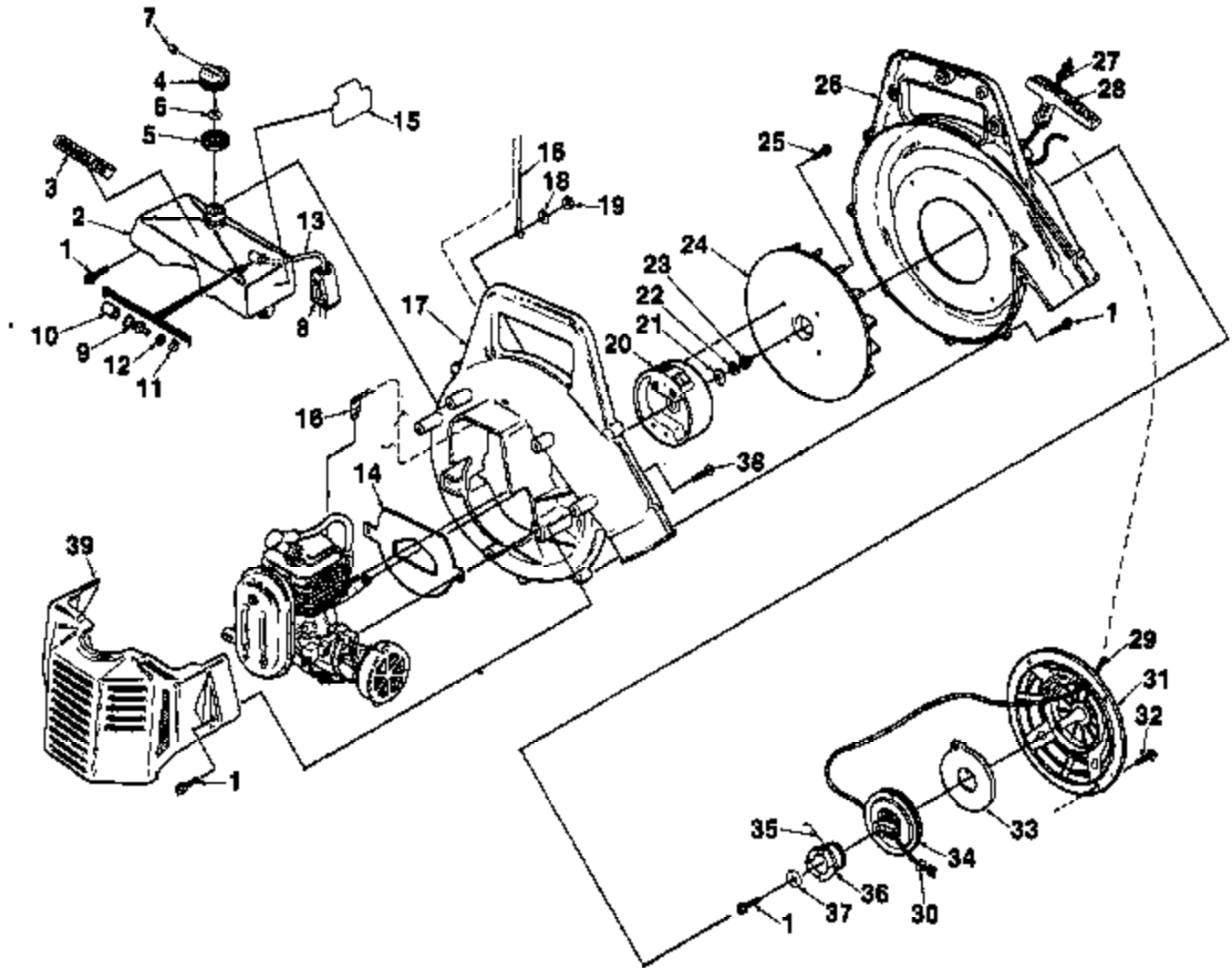


ALWAYS FURNISH MODEL AND SERIAL NUMBER WHEN ORDERING PARTS.

NO.	DESCRIPTION	PART NO.	HB-680	HB-480	HB-280	QTY.	NO.	DESCRIPTION	PART NO.	HB-680	HB-480	HB-280	QTY.
			x	x	x					x	x	x	
1	SCREW- Hex Sems (10-24 x 2)	88057	x	x	x	3	17	WASHER	69093-B	x	x	x	2
2	MUFFLER	A-95767-1A	x	x	x	1	18	KEY- Magneto	69250	x	x	x	1
3	GASKET- Muffler	93801	x	x	x	1	19	CRANKSHAFT (w/rod)	A-96615	x	x	x	1
4	SPARK PLUG (Champion) DJ-7J	68816-S	x	x	x	1	20	GASKET- Housing	93884-A	x	x	x	1
6	MODULE- Ignition	94711	x	x	x	1	21	REED	69148	x	x	x	2
	Includes						22	SPACER- Carburetor	94464-A	x	x	x	1
8	TERMINAL	A-33066	x	x	x	1	23	GASKET- Manifold	89100	x	x	x	1
7	LEAD- High tension	69326	x	x	x	1	24	MANIFOLD- Intake	96101	x	x	x	1
8	SCREW- Hex washer (8-32 x 3/4)	82248	x	x	x	1	25	SPACER- Carburetor	86680-A	x	x	x	1
9	STANDOFF	95735	x	x	x	1	26	CARBURETOR (Walbro #WA-65)	A-95736	x	x	x	1
10	CRANKCASE & CYLINDER	A-98906-2	x	x	x	1	27	TUBING- Rubber 8"	70310-60	x	x	x	1
	CRANKCASE & CYLINDER	A-96730	x			1	28	LEVER- Choke	96777	x	x	x	1
	Includes						29	SPACER- Choke lever	96948	x	x	x	1
	FITTING- Tube						30	HOUSING- Air filter	96749	x	x	x	1
	[see figure #5, index #69]	95763	x			1	31	ELEMENT- Air filter	96746	x	x	x	1
	SCREW- Sems hex hd						32	COVER- Air filter	96750	x	x	x	1
	(8-32 x 1") (see index #34)	88044		x	x	4	33	SCREW- (10-24 x 3/12)	83834	x	x	x	2
11	PISTON & PIN	A-96399	x	x	x	1	34	SCREW- Sems hex hd (8-32 x 1")	88044	x	x	x	4
	Includes						35	SCREW- Mach (8-32 x 3/16)	88041	x	x	x	1
12	RING- Piston pin retaining	65261	x	x	x	2	36	CLAMP- Throttle	96358	x	x	x	1
13	PISTON RING	68312	x	x	x	1	37	CLAMP- Throttle	96787	x	x	x	1
14	SEAL- Shaft	94638	x	x	x	2	38	SCREW- Hex sems (#10-24 x 3/4)	88051	x	x	x	2
15	SPACER- Seal	89407	x	x	x	2	39	NUT- Hex centerlock (8-23)	81223	x	x	x	1
16	BEARING- Needle	12530	x	x	x	2							

ALWAYS FURNISH MODEL AND SERIAL NUMBER WHEN ORDERING PARTS.

FIGURE 2



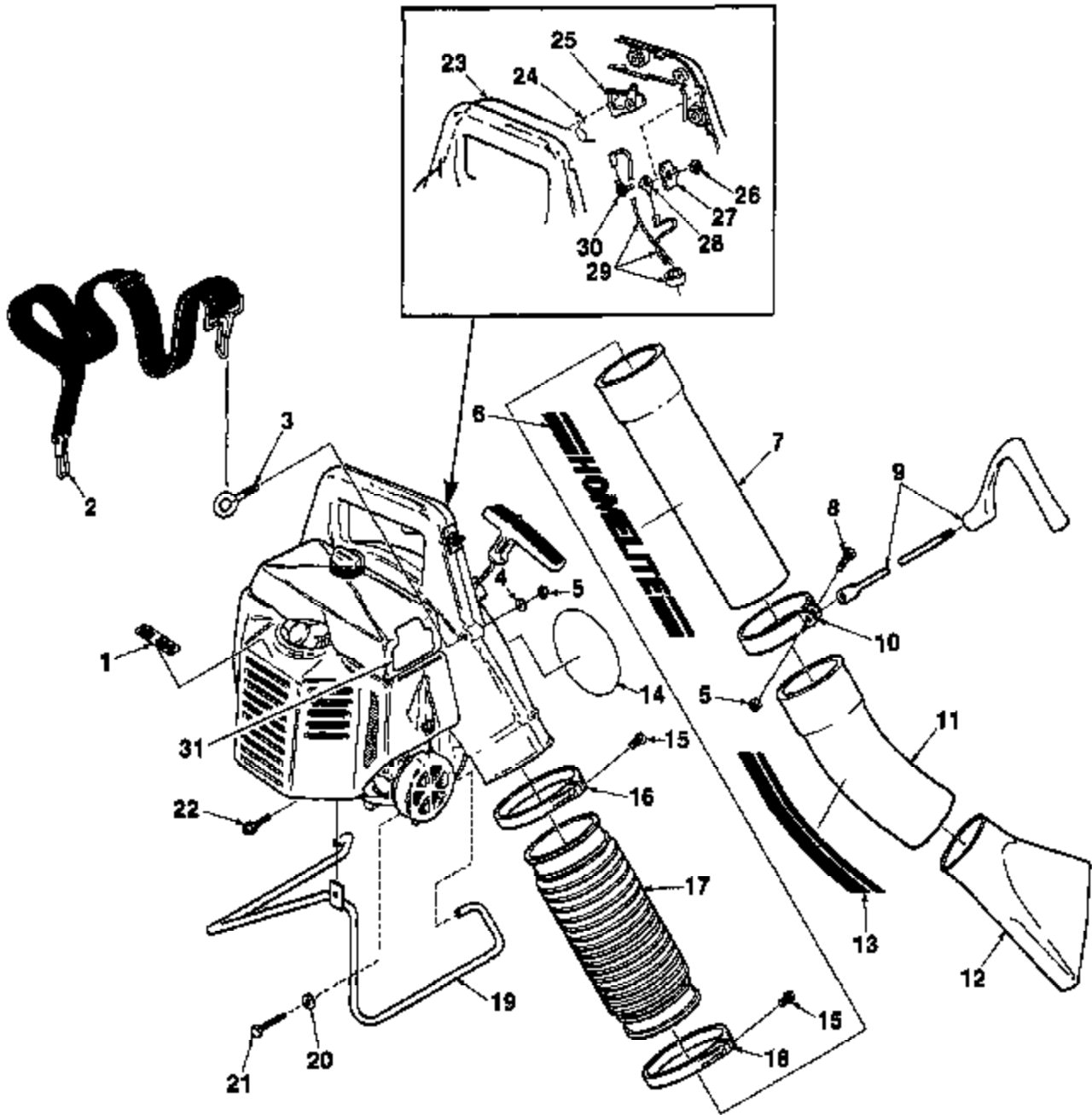
ALWAYS FURNISH MODEL AND SERIAL NUMBER WHEN ORDERING PARTS.

NO.	DESCRIPTION	PART NO.	HB 680			QTY.	NO.	DESCRIPTION	PART NO.	HB 680			QTY.
			HB 680	HB 480	HB 280					HB 680	HB 480	HB 280	
1	SCREW- Thread forming (plastic #10 x .750)	70771	x	x		18	19	NUT- Hex center lock (10-24)	81208	x	x	x	1
	SCREW- Thread forming (plastic #10 x .750)	70771			x	11	20	ROTOR- Magneto	95733	x	x	x	1
2	TANK- Fuel	A-98716-A	x	x	x	1	21	WASHER- Flat (5/16)	84005-1	x	x	x	1
	Includes:						22	WASHER- Lock (5/16)	83002	x	x	x	1
3	DECAL- Homelite	98802	x	x	x	1	23	NUT- Hex (5/16-24)	91117	x	x	x	1
4	CAP- Fuel	A-94495	x	x	x	1	24	FAN	95720	x	x	x	1
	Includes:						25	SCREW- Pan mach (10-32 x 7/16)	82398	x	x	x	4
5	GASKET- Fuel cap	94484	x	x	x	1	26	HOUSING- Volute	A-95737	x	x		1
6	VALVE- Check	94531-1	x	x	x	1		HOUSING- Volute	A-98338			x	1
7	FILTER- Fuel cap	99454	x	x	x	1	27	WASHER- Flat (#8)	84025			x	1
8	CLAMP	98544	x	x	x	1		WASHER- Flat (#8)	84025	x			8
9	FILTER- Fuel	A-99923	x	x	x	1	28	GRIP- Starter	70211	x	x	x	1
	Includes:						29	ROPE- Starter	A-93876	x	x	x	1
10	ELEMENT- Fuel filter	94083	x	x	x	1		Includes:					
11	CLAMP	93428	x	x	x	1	30	WASHER- Nylon	93882	x	x	x	1
12	WASHER	84182	x	x	x	1	31	HOUSING- Starter	85719	x	x	x	1
13	TUBING- Rubber	70310-60	x	x	x	1	32	SCREW- Thread forming (#10 x 5/8)	82409	x	x	x	4
14	BACKPLATE	93890	x	x	x	1	33	SPRING- Rowind	A-94918-A	x	x	x	1
15	DECAL- Instruction (warning)	98160			x	1	34	PULLEY- Starter	94383-A	x	x	x	1
18	LEAD- Electrical (w/terminal)	A-95784	x	x		1	35	LEVER- Ratchet	94605	x	x	x	1
	LEAD- Electrical (w/terminal)	A-98388			x	1	36	RATCHET- Starter	95803	x	x	x	1
17	HOUSING- Volute	95717	x	x		1	37	WASHER- Flat	95208	x	x	x	1
	HOUSING- Volute	95717-1			x	1	38	SCREW- Hex sets (10-24 x 3/4)	88051	x	x	x	2
18	WASHER- Flat #10	84003-1	x	x	x	1	39	SHROUD	85746	x	x	x	1

ALWAYS FURNISH MODEL AND SERIAL NUMBER WHEN ORDERING PARTS.

HB-280 BLOWER

FIGURE 3



ALWAYS FURNISH MODEL AND SERIAL NUMBER WHEN ORDERING PARTS.

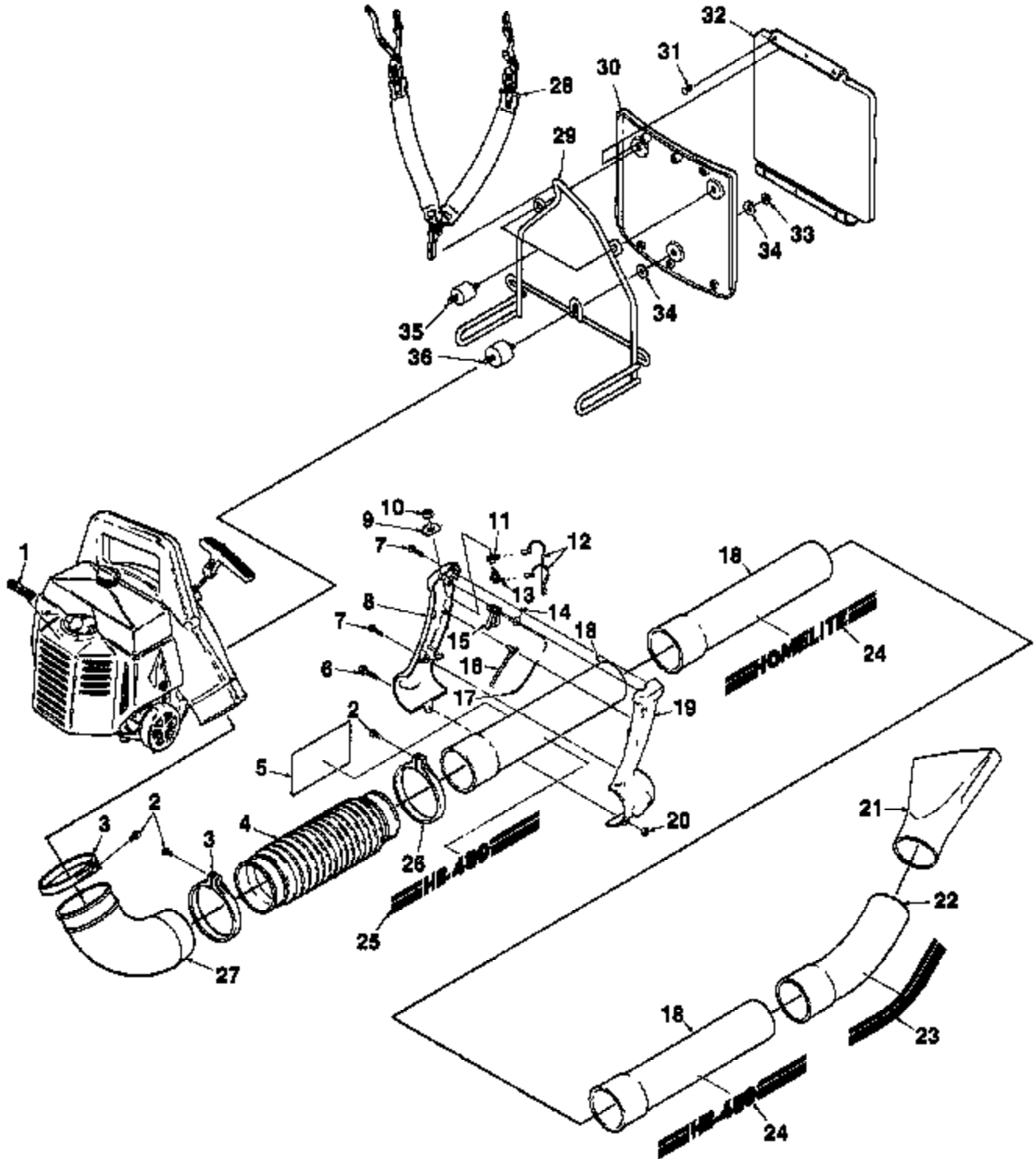
HB-280 BLOWER

NO.	DESCRIPTION	PART NO.	QTY.	NO.	DESCRIPTION	PART NO.	QTY.
1	DECAL- (HB-280 small)	98740	1	17	BELLOW- Plastic	95790	1
2	STRAP- Shoulder	95337-A	1	18	CLAMP	95785	1
3	BOLT- Closed eye	98389	1	19	STAND- Wire	98183	1
4	WASHER- Flat (#10)	84008	2	20	WASHER- Flat (#8)	84025	3
5	NUT- Lock hex (10-24)	81256	2	21	SCREW- Sems hex hd., (8-32 x 1.25)	88045	2
6	DECAL- Homelite	98498	1	22	SCREW- Thread forming (plastic #10 x .750)	70771	11
7	TUBING- Plastic (14")	95738	1	23	CABLE- Throttle	86335	1
8	SCREW- Pan hd. (10-24 x 1/2)	80672	1	24	SPRING- Torsion	86756	1
9	HANDLE- Guide	A-96231	1	26	TRIGGER	84452	1
10	CLAMP- Guide rod	86363	1	28	NUT- Toggle switch	72084-A1	1
11	TUBING- Plastic (10") (Curved)	95731	1	27	PLATE- Indicating	86231	1
12	NOZZLE- Sweeper	96328	1	28	WASHER- Grounding	95611-A	1
13	DECAL	98498	1	29	LEAD- Electrical	A-95385	1
14	DECAL (HB-280)	98741	1	30	SWITCH- Toggle	93853	1
15	SCREW- Oval hd. (10-24 x 1 1/4)	80460	4	31	DECAL - Instruction	88150	1
16	CLAMP	95786	1				

ALWAYS FURNISH MODEL AND SERIAL NUMBER WHEN ORDERING PARTS.

HB-480 BACK-PACK BLOWER

FIGURE 4



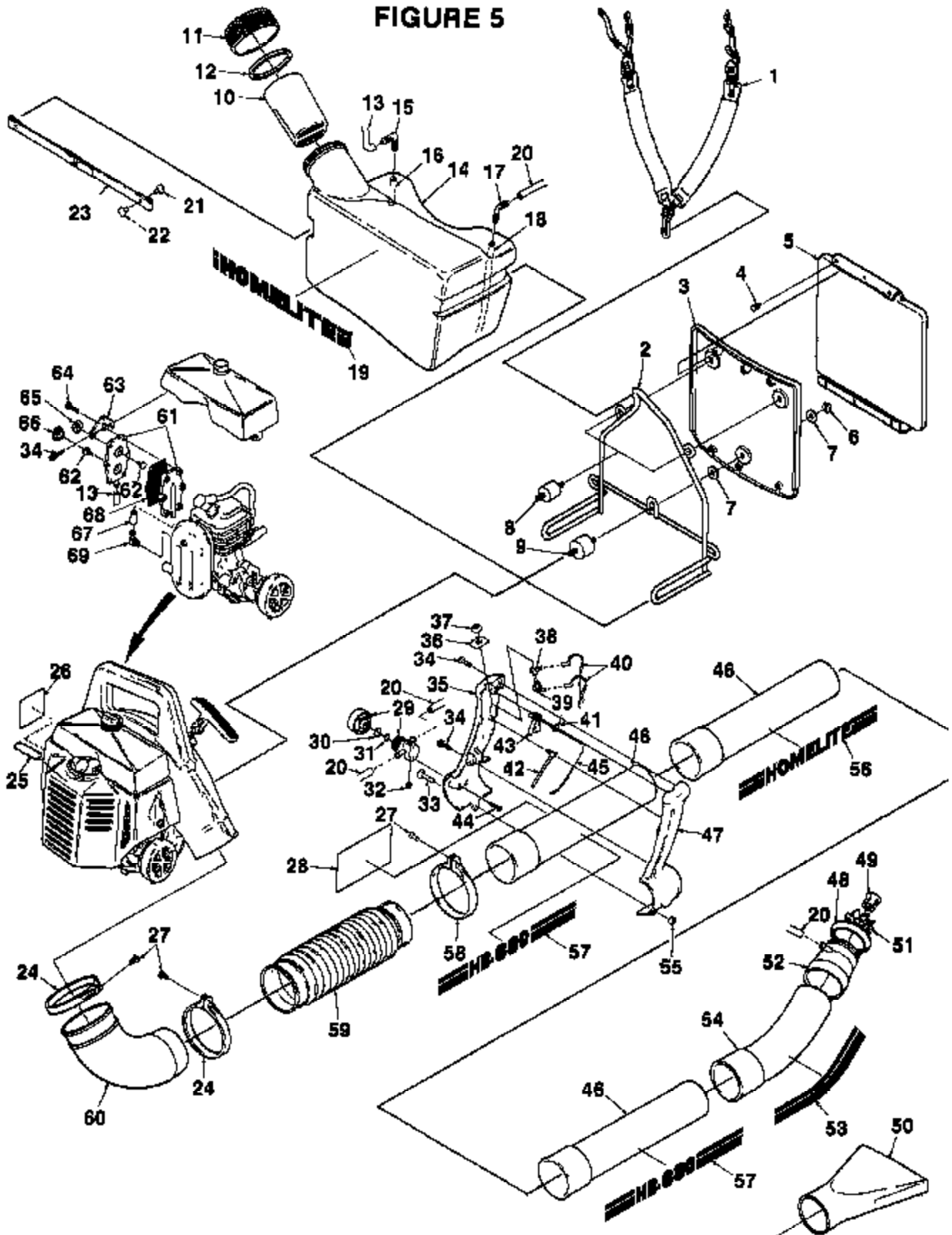
ALWAYS FURNISH MODEL AND SERIAL NUMBER WHEN ORDERING PARTS.

HB-480 BACK-PACK BLOWER

NO.	DESCRIPTION	PART NO.	QTY.	NO.	DESCRIPTION	PART NO.	QTY.
1	DECAL- (HB-480)	88739	1	18	TUBING- Plastic (14")	85736	2
2	SCREW- Oval hd (10-24 x 1 1/4)	80460	8	19	HANDLE- Control (right)	85723	1
3	CLAMP	85786	2	20	NUT- Hex (10-24 x 3/8)	81082	1
4	BELLOW- Plastic	85790	1	21	SWEEPER- Nozzle	88329	1
5	DECAL- Instruction (warning)	88148	1	22	TUBING- Plastic (10")	85731	1
6	BOLT- Rib neck rd. hd (10-28 x 7/8)	82875	1	23	DECAL	86488	1
7	SCREW- Thread forming (plastic #10 x 750)	70771	17	24	DECAL- Homelite	88498	1
8	HANDLE- Control- left	85724-1	1	25	DECAL- (HB-480)	85738	2
9	PLATE- Indicating	86231	1	26	CLAMP	85785	1
10	NUT- Toggle switch	72084-A1	1	27	ELBOW- Plastic	85791	1
11	WASHER- Grounding	85782	1	28	HARNES- Shoulder	88158	1
12	LEAD- Electrical (w/terminal)	A-85784	1	29	FRAME- Wire	88160	1
13	SW(TCH- Toggle	83853	1	30	BACKREST- Plastic	88157	1
14	SPRING- torsion	85875-2	1	31	CLIP- Push	86383	8
15	TRIGGER	84452	1	32	PAD- Backrest	88159	1
16	LATCH- Trigger	86906	1	33	NUT- Hex (5/16-18)	81243	3
17	CABLE- Throttle	83806-A	1	34	WASHER- Flat	86381	8
				35	MOUNT- Vibration isolation	86382	2
				36	ISOLATOR- Vibration	46948-A	1

ALWAYS FURNISH MODEL AND SERIAL NUMBER WHEN ORDERING PARTS.

FIGURE 5



ALWAYS FURNISH MODEL AND SERIAL NUMBER WHEN ORDERING PARTS.

HB-680 BACK-PACK MISTER/BLOWER

NO.	DESCRIPTION	PART NO.	QTY.	NO.	DESCRIPTION	PART NO.	QTY.
1	HARNES- Shoulder	96168	1	35	HANDLE- Control left	95724-1	1
2	FRAME- Wire	96160	1	36	PLATE- Indicating	96231	1
3	BACKREST- Plastic	96157	1	37	NUT- Toggle switch	72084-A1	1
4	CLIP- Push	96383	8	38	WASHER- Grounding	95782	1
5	PAD- Backrest	96159	1	39	SWITCH- Toggle	93653	1
6	NUT- Hex (5/16-18)	81243	3	40	LEAD- Electrical (w/terminal)	A-95764	1
7	WASHER- Flat	96381	8	41	SPRING- Torsion	65375-2	1
8	MOUNT- Vibration isolation	96382	1	42	LATCH- Trigger	96908	1
9	ISOLATOR- Vibration	48948-A	1	43	TRIGGER	94452	1
10	STRAINER- Fluid tank	95771	1	44	SCREW- Rd mach (6-32 x 7/16)	80831	2
11	CAP- Fluid tank	A-95775	1	45	CABLE- Throttle	93806-A	1
	Includes			46	TUBING- Plastic (1/4")	95738	2
12	GASKET- Cap	96920	1	47	HANDLE- Control-right	96723	1
13	TUBING- Plastic (8")	96922	1	48	DIFFUSER- Nozzle	95804	1
14	TANK- Fluid	A-95744	1	49	HEAD- Spray	95805	1
	Includes			50	SWEEPER- Nozzle	96329	1
15	FITTING- Elbow	96392	1	51	VANE- Diffuser	95801	1
16	TUBING- Plastic	96921	1	52	NOZZLE- Sprayer	95779	1
17	FITTING- Elbow	96391	1	53	DECAL	96498	1
18	TUBING- Plastic	95761	1	54	TUBING- Plastic (#10) (curved)	85731	1
19	DECAL- Homelite	96498	1	55	NUT- Hex (10-24 x 3/8)	81092	1
20	TUBING- Plastic (28")	95760	2	56	DECAL- Homelite	96498	1
21	RIVET- Button top	96809	2	57	DECAL (HB-680)	96736	2
22	RIVET- Button base	96610	2	58	CLAMP	95785	1
23	STRAP- Tank retaining	96923	1	59	BELLOW- Plastic	96790	1
24	CLAMP	95788	2	60	ELBOW- Plastic	96791	1
25	DECAL (HB-680)	96737	1	61	PUMP- Air	A-96770	1
26	DECAL- Warning	96778	1		Includes		
27	SCREW- Oval hd (10-24 x 1 1/4)	80460	3	62	VALVE- Umbrella	95758	2
28	DECAL- Instruction	96143	1	63	BRACKET- Pump mount	95788	1
29	VALVE- Fluid control	A-95768	1	64	SCREW- Thread forming (10 x 5/8)	82408	8
	Includes			65	ELEMENT- Pump filter	95787	1
30	"O" RING	95743	1	66	PLUG	95789	1
31	"O" RING	95781	1		TUBING- Plastic (see item #13)	96922	1
32	NUT- Hex (6-32)	81238	5	67	TUBING- Plastic	96921	1
33	BOLT- Rib neck rd hd (10-23 x 7/8)	82376	1	68	DIAPHRAGM- Pump	95788	1
34	SCREW- Thread forming (plastic #10 x 7/6)	70771	17	69	FITTING- Tube	95783	1

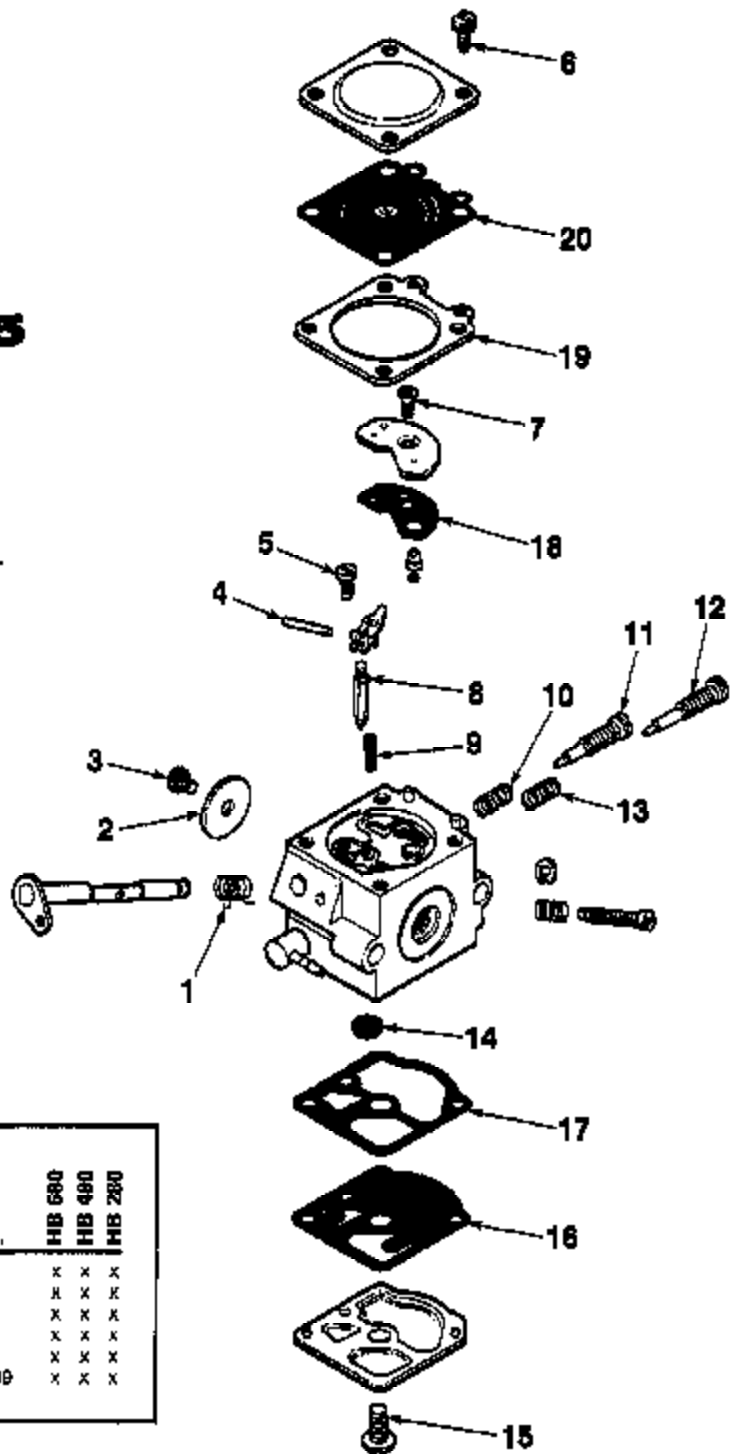
ALWAYS FURNISH MODEL AND SERIAL NUMBER WHEN ORDERING PARTS.

FIGURE 6

**CARBURETOR
A-95736**

WALBRO WA-95

DESCRIPTION	PART NO.
GASKET/DIAPHRAGM KIT (18-20)	88988
OEM REPAIR KIT (1-20)	88989



TOOLS AND ACCESSORIES

DESCRIPTION	PART NO.	HB 680	HB 480	HB 280
WRENCH- Combination	A-24284	x	x	x
GAGE- Feeler (.012)	24306	x	x	x
SCREWDRIVER	24541	x	x	x
SILASTIC	24823	x	x	x
ROPE- Starting (250' reel #4)	88948	x	x	x
TUBING- Rubber	70310-99	x	x	x

HOMELITE DIVISION OF TEXTRON INC.
 14401 CAROWINDS BOULEVARD
 P.O. BOX 7047, CHARLOTTE, NORTH CAROLINA 28217

HOMELITE TEXTRON

Homelite Division of Textron Inc.