

**258700 to 258799**

# Illustrated Parts List

## Model Series

### 258700 to 258799

TYPE NUMBERS  
0102, 0104, 0117,  
0118,  
0122 through 0126,  
0139, 0140.

**TO FIND**  
**THE CORRECT NUMBER OF THE PART YOU NEED:**  
**FOLLOW THE INSTRUCTIONS BELOW**

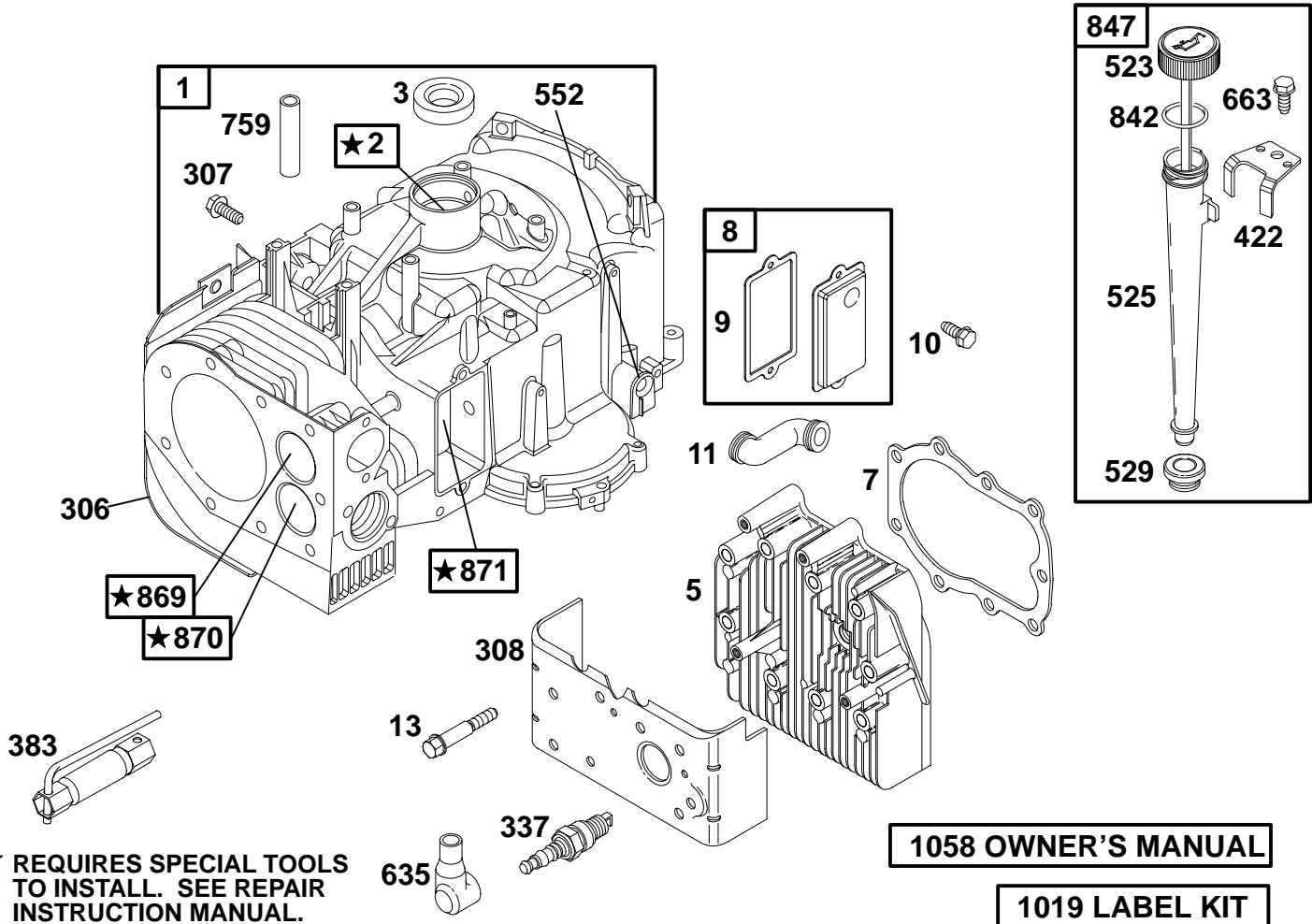
- A. Refer to Engine Model, Type and Code Number that is stamped on the blower housing of engine. Engine type numbers such as 0123 01 are listed only as 0123 in most instances. The two digits (01 or 02, etc.) to the right of the space may be required for more accurate parts identification in some instances. Select the Illustrated Parts List covering the correct Model Series and Type Number.
- B. Refer to the Illustrations and compare the original part with Illustration. The number next to the illustration is the Reference Number. Assemblies include all parts shown in frames. All parts shown in assembly frames having individual reference numbers can be purchased separately.
- C. After the Reference Number has been identified, refer to the Numerical text, where Reference and Primary Part Number are listed. **THE PRIMARY PART IS USED ON ALL TYPE NUMBERS EXCEPT THOSE TYPE NUMBERS UNDER "NOTE."**
- D. If a "Note" appears below the Primary Part Number, it means that this part differs from the Primary Part for certain types. If your Type number is listed under "Note," order the part referred to at the "Note."
- E. If your Engine Type Number does not appear after any part number listed under "Note," use the Primary Part Number.
- F. For Engine Type Numbers not covered by this book, check other Parts Lists having the same engine model or contact your source of supply.

PRINTED IN U.S.A.



COPYRIGHT by BRIGGS & STRATTON CORPORATION  
All rights reserved. No part of this material may be reproduced or transmitted, in any form or by any means, electronic or mechanical, including photocopying, recording or by any information storage and retrieval system, without permission in writing from Briggs & Stratton Corporation.

# 258700 to 258799



★ REQUIRES SPECIAL TOOLS TO INSTALL. SEE REPAIR INSTRUCTION MANUAL.

1058 OWNER'S MANUAL

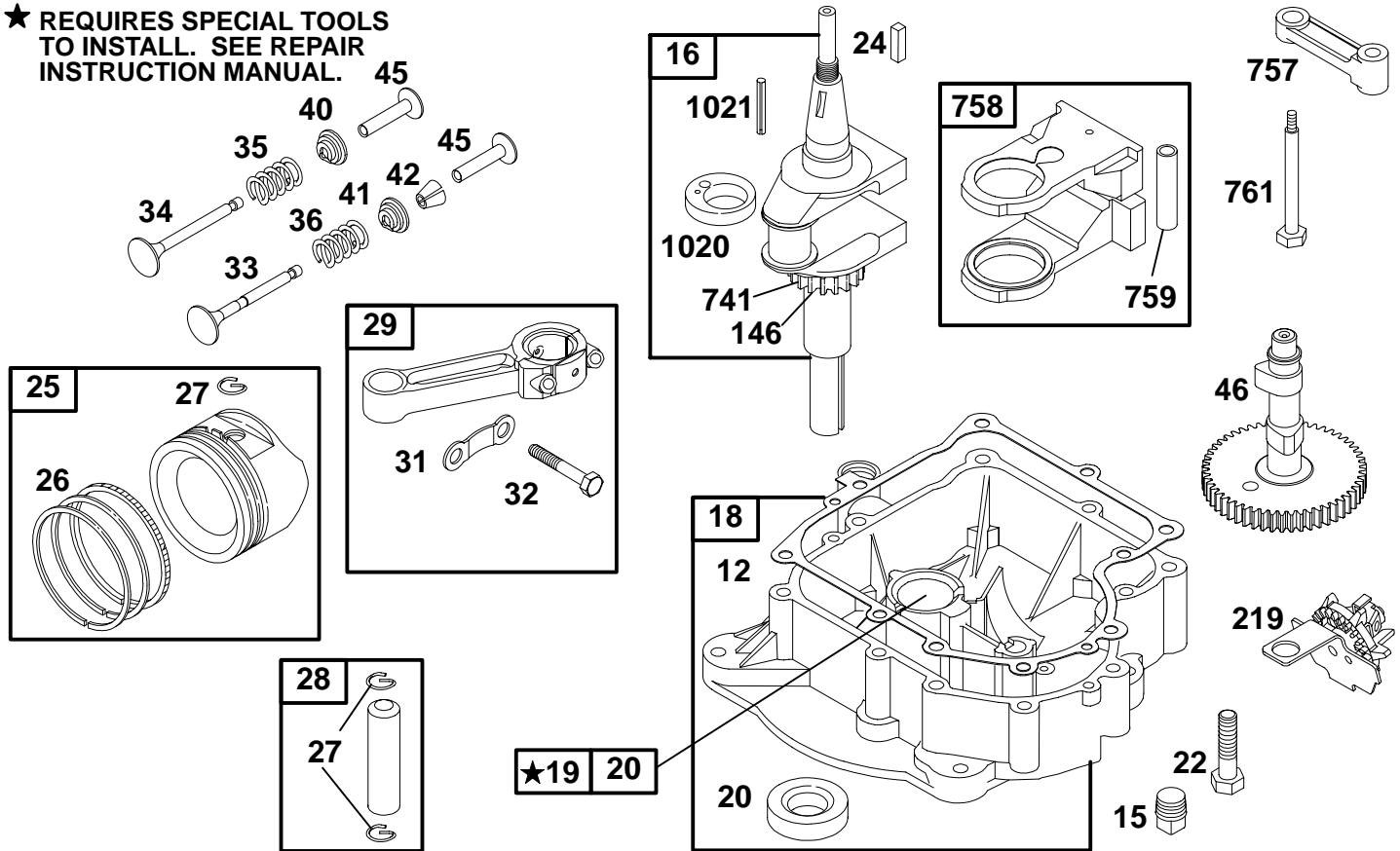
1019 LABEL KIT

REF. NO.	PART NO.	DESCRIPTION	REF. NO.	PART NO.	DESCRIPTION	REF. NO.	PART NO.	DESCRIPTION
1	495728	Cylinder Assembly	337	802592	Plug-Spark	869	261463	Seat-Valve (Intake)
2	399265	Bushing	383	89838	Wrench-Spark Plug	870	262924	Seat-Valve (Exhaust)
3	★391086	Seal-Oil	422	224872	Bracket-Oil Fill	871	261961	Bushing-Guide (Exhaust Valve)
5	212914	Head-Cylinder	523	495229	Dipstick	————— <b>Note</b> —————		
7	★∅271866	Gasket-Cylinder Head	525	280134	Tube-Oil Fill	231218		Bushing-Guide (Intake Valve)
8	495735	Breather Assembly	529	★281370	Seal-Fill Tube	1019	491195	Label Kit
9	★∅27803	Gasket-Breather	552	491986	Bushing-Gov. Crank	1058	272550	Owner's Manual
10	94719	Screw-Hex.	635	66538	Boot-Spark Plug			
11	280100	Tube-Breather	663	94929	Screw-Hex.			
13	94622	Screw-Hex.	759	230787	Pin-Counterweight			
306	224882	Shield-Cylinder	842	★270920	Seal-O-Ring			
307	94930	Screw-Hex.	847	392067	Dipstick/Tube Assembly			
308	224897	Cover-Cylinder Head						

★ Included in Gasket Set-Part Number 393411.  
 ● Included in Carburetor Kit-Part No. 495837.

◆ Included in Carburetor Gasket Set-Part No. 494385.  
 ∅ Included in Valve Overhaul Gasket Set-Part No. 498539.

★ REQUIRES SPECIAL TOOLS TO INSTALL. SEE REPAIR INSTRUCTION MANUAL.

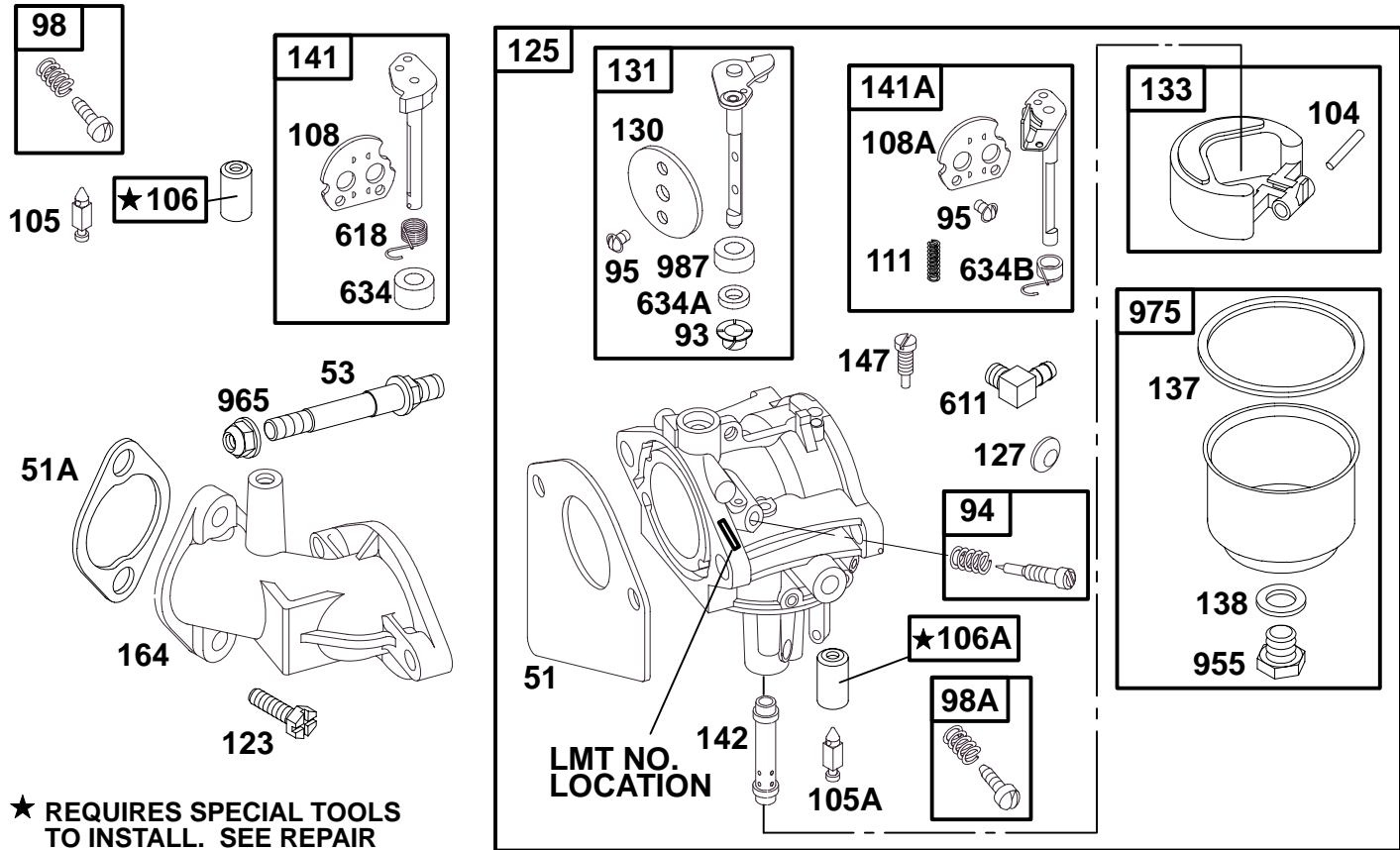


REF. NO.	PART NO.	DESCRIPTION	REF. NO.	PART NO.	DESCRIPTION	REF. NO.	PART NO.	DESCRIPTION
12	★271702	Gasket-Crankcase (.015" Thick)	26	391780	Ring Set (Standard)	41	292260	Retainer-Valve
	★270915	Gasket-Crankcase (.005" Thick)		391781	Ring Set (.010" O.S.)	42	494553	Keeper-Valve
	★270916	Gasket-Crankcase (.009" Thick)		391782	Ring Set (.020" O.S.)	45	262248	Tappet-Valve
15	94239	Plug-Oil Drain		391783	Ring Set (.030" O.S.)	46	212897	Gear-Cam
16	498994	Crankshaft	27	260924	Lock-Piston Pin	146	94196	Key-Timing
18	391784	Sump-Engine	28	299691	Pin-Piston (Standard)	219	490815	Governor/Oil Slinger
19	490666	Bushing		391286	Pin-Piston (.005" O.S.)	741	262932	Gear-Timing
20	★291675	Seal-Oil	29	490348	Rod-Connecting (Standard)	757	212359	Link-Counterweight
22	93585	Screw-Hex.		490469	Rod-Conn. (.020" Undersize)	758	391373	Counterweight
24	222698	Key-Flywheel	31	222299	Lock-Rod Screw	759	230787	Pin-Counterweight
25	391285	Piston Assy. (Standard)	32	95017	Screw-Hex.	761	94593	Screw-Hex.
	391287	Piston Assy. (.010" O.S.)	33	261185	Valve-Exhaust	1020	261242	Eccentric
	391288	Piston Assy. (.020" O.S.)	34	261462	Valve-Intake	1021	94160	Pin-Eccentric
	391289	Piston Assy. (.030" O.S.)	35	65906	Spring-Valve			
	392331	Piston Assy. (Chrome Standard)	36	26828	Spring-Valve			
			40	221596	Retainer-Valve			

★ Included in Gasket Set-Part Number 393411.  
● Included in Carburetor Kit-Part No. 495837.

◆ Included in Carburetor Gasket Set-Part No. 494385.  
◊ Included in Valve Overhaul Gasket Set-Part No. 498539.

# 258700 to 258799

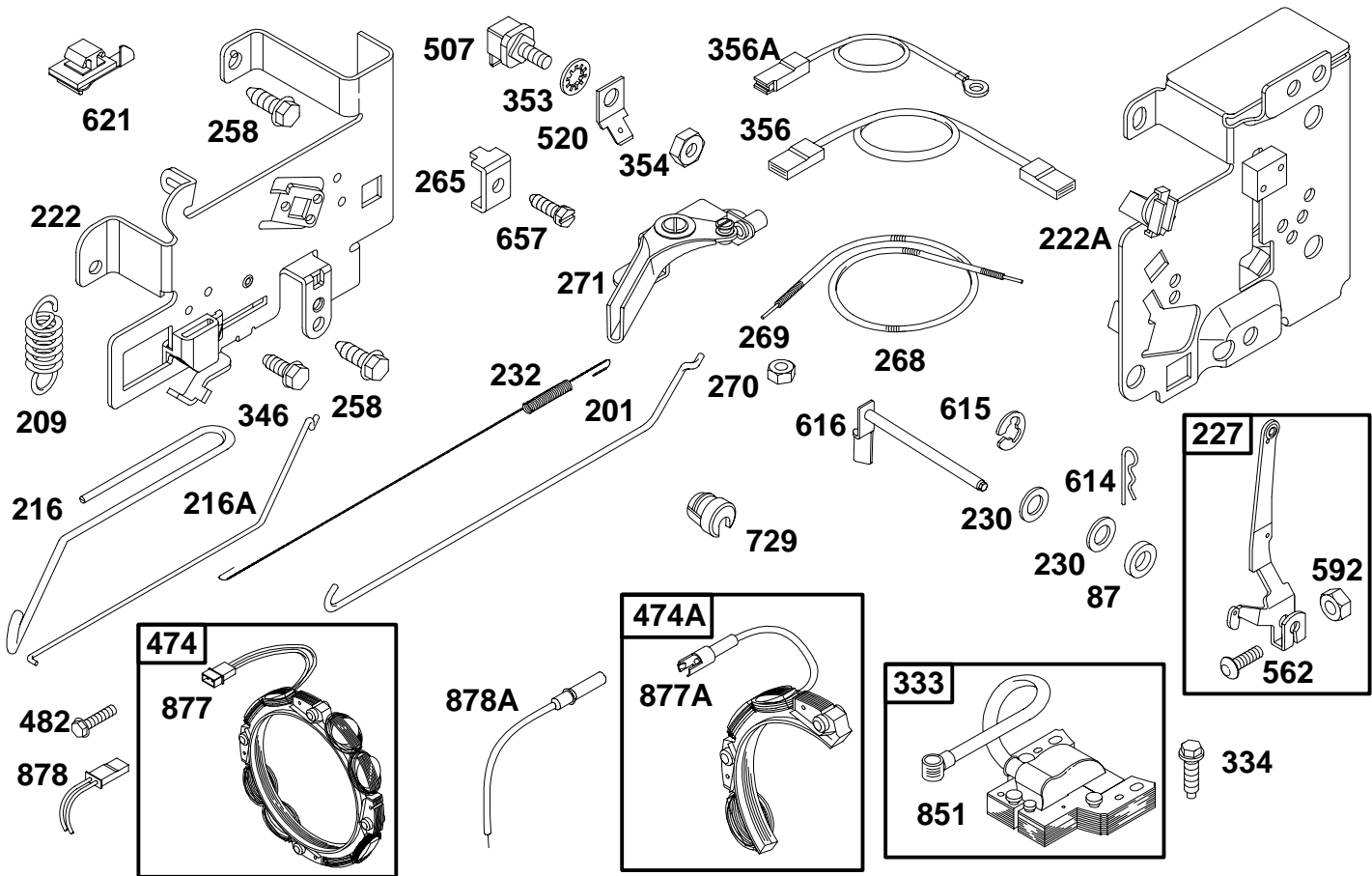


★ REQUIRES SPECIAL TOOLS TO INSTALL. SEE REPAIR INSTRUCTION MANUAL.

REF. NO.	PART NO.	DESCRIPTION	REF. NO.	PART NO.	DESCRIPTION	REF. NO.	PART NO.	DESCRIPTION
51	◆272465	Gasket-Intake	106	◆280328	Seat-Inlet (Gravity Feed System) (LMT 26, LMT 27, LMT 28, LMT 31)	137	◆281165	Gasket-Float Bowl
51A	498869	Gasket-Carb. Mtg.	108A	◆231854	Seat-Inlet (Gravity Feed System) (LMT 54, LMT 55, LMT 91)	138	◆281164	Washer
53	94637	Stud-Hex. Drive	108	224666	Valve-Choke	141	495931	Choke Shaft Kit (LMT 26, LMT 27, LMT 54)
93	◆281346	Bushing-Thr. Shaft	108A	224667	Valve-Choke	141A	495097	Choke Shaft Kit (LMT 28, LMT 31, LMT 55, LMT 91)
94	494383	Valve-Idle Adjustment	111	262715	Spring-Friction	142	◆494878	Nozzle-Carburetor
95	◆94098	Screw-Choke/Throttle	123	94913	Screw-Torx® Hex.	495604	◆	Nozzle-Carb. (High Altitude)
98	398185	Screw-Idle Speed (LMT 26, LMT 27, LMT 28, LMT 31)	125	495784	Carburetor (LMT 91)	Include(s):		
98A	495800	Screw-Idle Speed (LMT 54, LMT 55, LMT 91)	127	◆	Plug-Welch (Sold in Kit Only)	281164	◆	Washer
104	◆231789	Pin-Float Hinge	130	224539	Valve-Throttle	147	◆497472	Jet-Pilot
105	231790	Valve-Needle (LMT 26, LMT 27, LMT 28, LMT 31)	131	494379	Throttle Shaft Kit	164	213819	Manifold-Intake
105A	◆231855	Valve-Needle (LMT 54, LMT 55, LMT 91)	133	494381	Float-Carburetor	611	494451	Connector-Hose
						618	262803	Spring
						634	◆281168	Seal-Choke Shaft
						634A	◆398970	Seal-Throttle Shaft
						634B	◆494453	Seal & Spring Assy.
						955	94642	Screw-Fuel Bowl
						965	94010	Nut-Hex.
						975	494378	Bowl-Float
						987	◆281166	Seal-Throttle Shaft

★ Included in Gasket Set-Part Number 393411.  
 ◆ Included in Carburetor Kit-Part No. 495837.

◆ Included in Carburetor Gasket Set-Part No. 494385.  
 ◊ Included in Valve Overhaul Gasket Set-Part No. 498539.

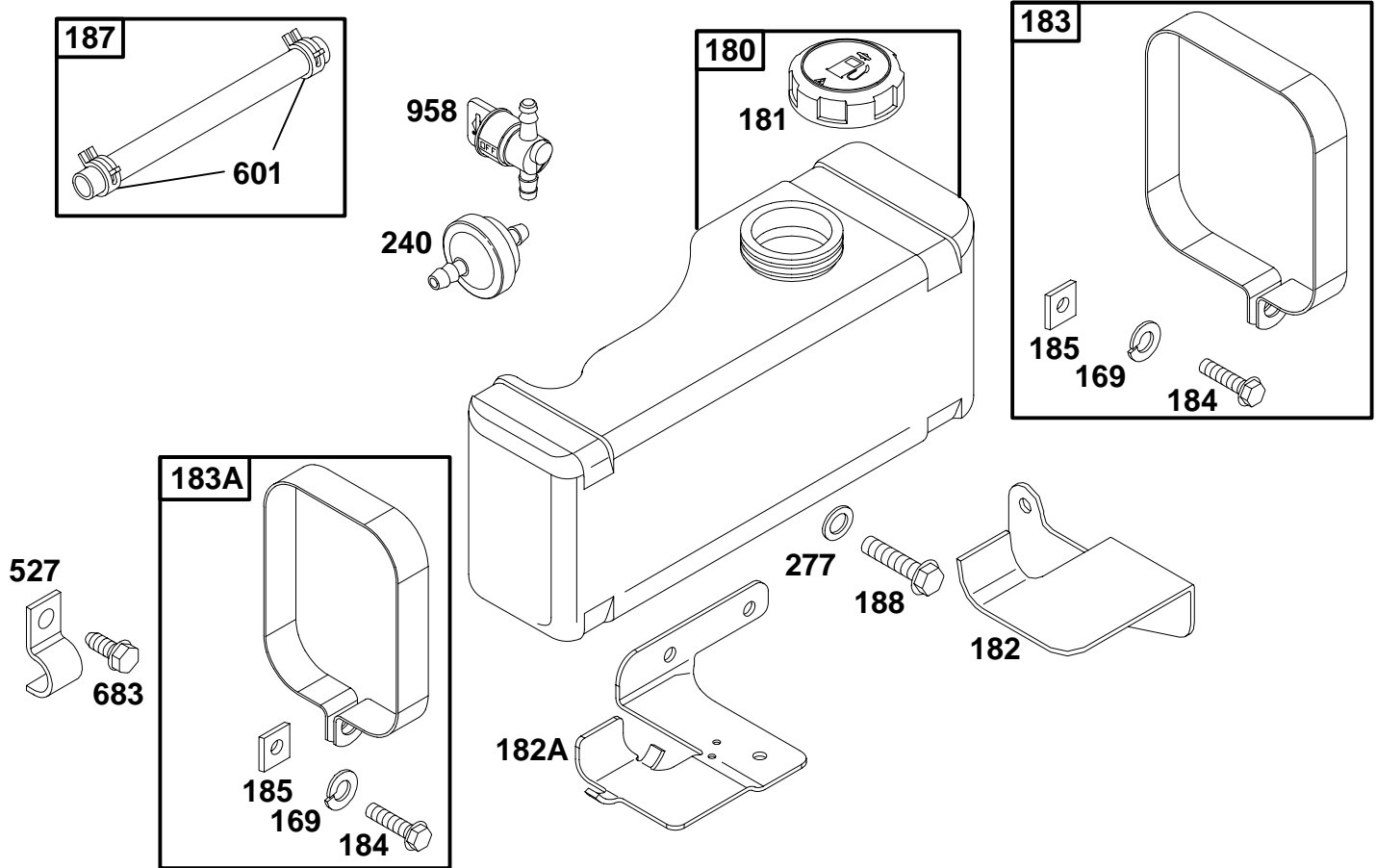


REF. NO.	PART NO.	DESCRIPTION	REF. NO.	PART NO.	DESCRIPTION	REF. NO.	PART NO.	DESCRIPTION
87	★491323	Seal-Governor	222A	494041	Bracket-Control	356	494328	Wire-Stop
201	262767	Link-Choke	227	493935	Lever-Governor	356A	398808	Wire-Stop
209	262784	Spring-Governor	230	94927	Washer-Flat	474	393474	Alternator
		<b>Note</b>	232	262785	Spring-Link	474A	391529	Alternator
		260695 Spring-Gov. Used on Type No(s). 0122.	258	94620	Screw-Hex.	482	93621	Screw-Hex.
		260871 Spring-Gov. Used on Type No(s). 0102, 0104, 0123, 0139, 0140.	265	221535	Clamp-Casing	507	398525	Insulator
		261306 Spring-Gov. Used on Type No(s). 0117, 0118, 0126.	268	65616	Casing-Wire (72" Long) (Cut to Required Length)	520	93722	Terminal
		262783 Spring-Gov. Used on Type No(s). 0124, 0125.	269	26633	Wire-Control (78" Long) (Cut to Required Length)	562	94907	Bolt-Governor Lever
216	262766	Link-Choke	270	63426	Locknut-Casing	592	231978	Nut-Hex.
216A	262778	Link-Choke	271	290568	Lever-Control	614	93306	Pin-Cotter
222	495611	Bracket-Control	333	398811	Armature-Magneto	615	93307	Retainer-E-Ring
			334	94731	Screw-Hex.	616	495157	Crank-Governor
			346	93705	Screw-Hex.	621	396847	Switch-Stop
			353	92791	Washer-Lock	657	93496	Screw-Slotted Hex.
			354	90576	Nut-Hex.	729	281159	Clip-Wire
						851	221798	Terminal-Cable
						877	393456	Wire-Alternator
						877A	393814	Wire-Alternator
						878	393362	Harness-Alternator
						878A	393422	Harness-Alternator

★ Included in Gasket Set-Part Number 393411.  
 ● Included in Carburetor Kit-Part No. 495837.

◆ Included in Carburetor Gasket Set-Part No. 494385.  
 ◊ Included in Valve Overhaul Gasket Set-Part No. 498539.

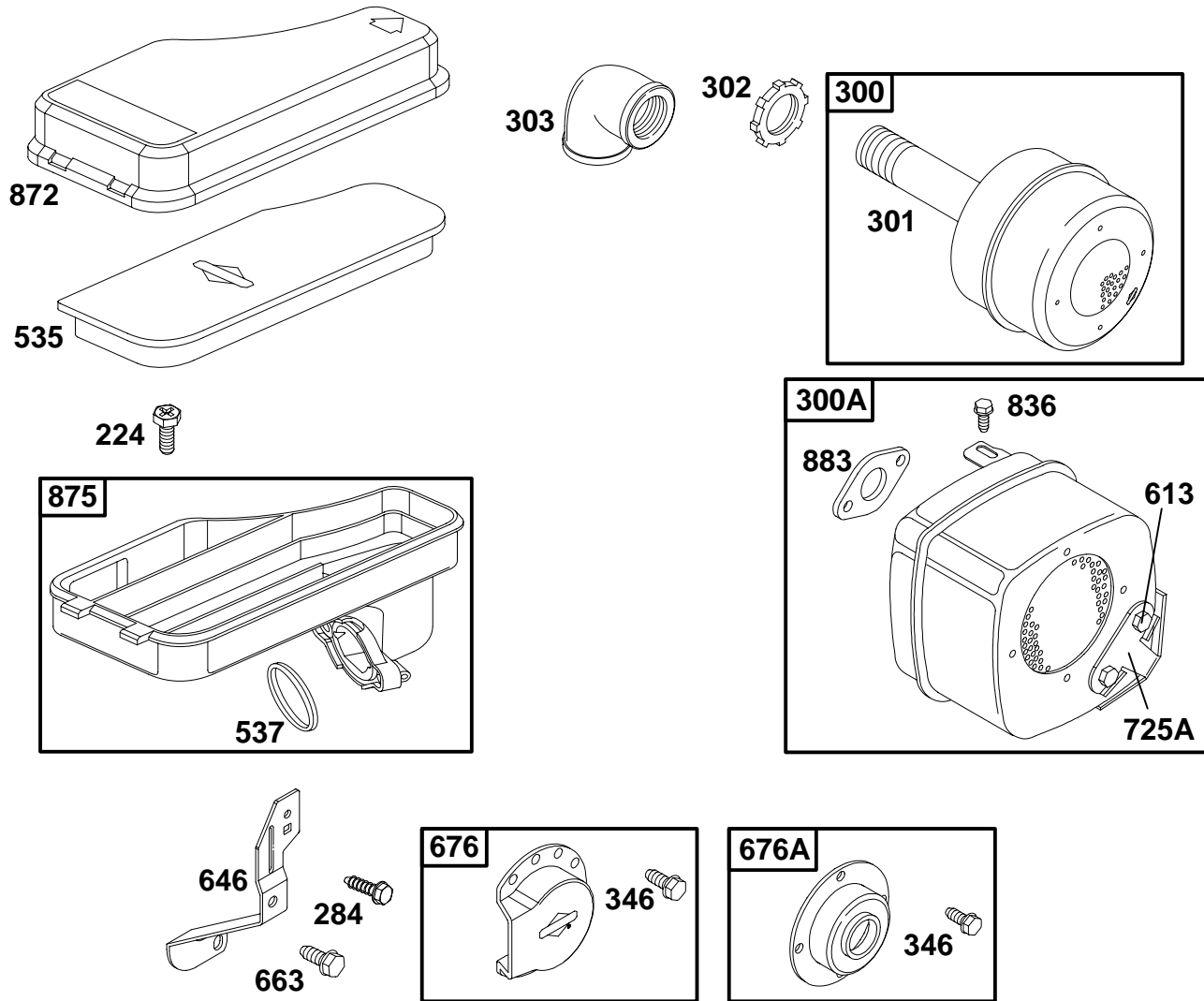
# 258700 to 258799



REF. NO.	PART NO.	DESCRIPTION	REF. NO.	PART NO.	DESCRIPTION	REF. NO.	PART NO.	DESCRIPTION
169	90832	Washer-Lock	187	296004	Line-Fuel (Cut to Required Length)	277	22776	Washer-Flat (Used on Engines With Electric Start)
180	390225	Tank-Fuel (3 Quart.)	188	93634	Screw-Hex. (Used on Engines With Electric Start)			<b>Note</b> 22963 Washer (Used on Engines With Rewind Start Only)
181	493988	Cap-Fuel Tank			<b>Note</b> 93535 Screw-Hex. (Used on Engines With Rewind Start Only)	527	221428	Clamp-Tube
182	222980	Brkt.-Fuel Tank (Right Hand)	240	298090	Filter-Fuel	601	93053	Clamp-Hose
182A	224884	Brkt.-Fuel Tank (Left Hand)			<b>Note</b> 394358 Filter-Fuel Used on Type No(s). 0123.	683	94874	Screw-Hex.
183	496853	Strap-Fuel Tank (Right Hand)				958	493960	Valve-Shut-Off
183A	496852	Strap-Fuel Tank (Left Hand)						
184	94286	Screw-Hex.						
185	90970	Nut-Square						

★ Included in Gasket Set-Part Number 393411.  
● Included in Carburetor Kit-Part No. 495837.

◆ Included in Carburetor Gasket Set-Part No. 494385.  
∅ Included in Valve Overhaul Gasket Set-Part No. 498539.

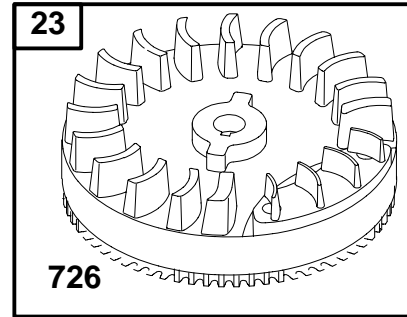
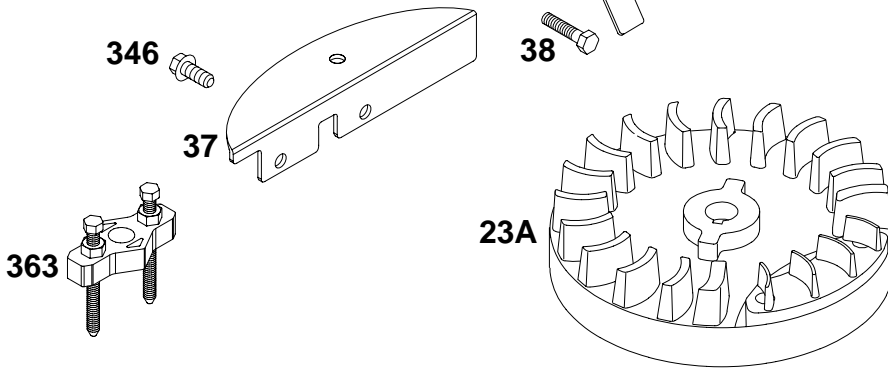
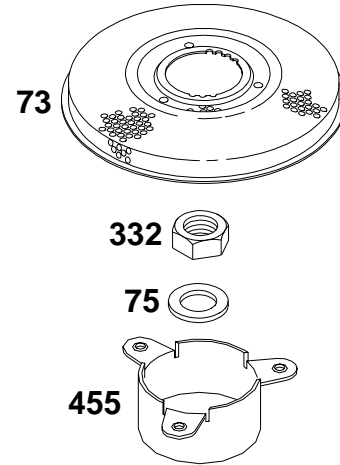
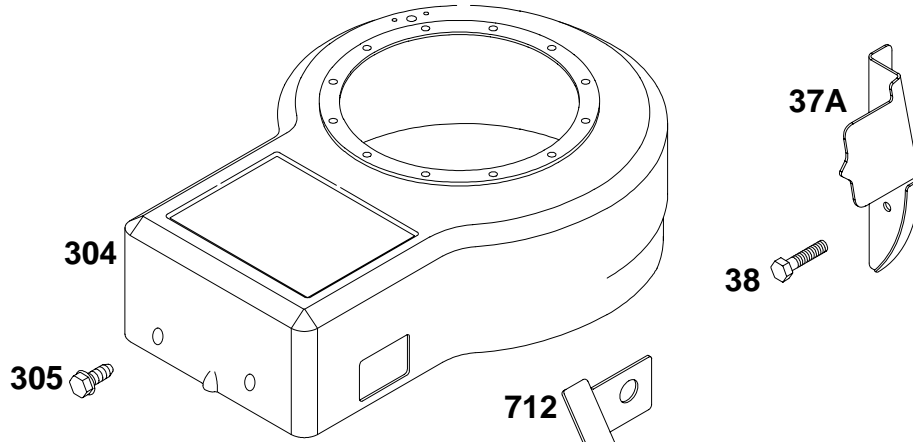
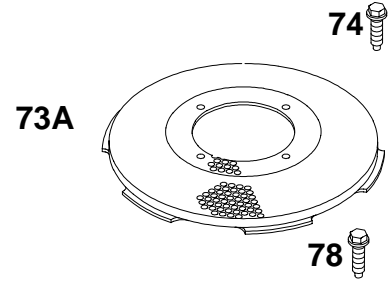
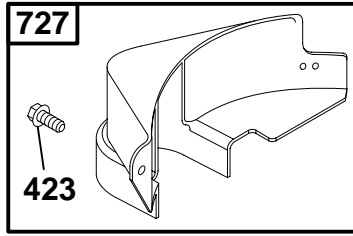


REF. NO.	PART NO.	DESCRIPTION	REF. NO.	PART NO.	DESCRIPTION	REF. NO.	PART NO.	DESCRIPTION
224	94905	Screw-Torx®Hex.	346	93705	Screw-Hex.	676A	396903	Deflector-Muffler
284	94704	Screw Hex.	535	272405	Filter-Air	725A	223023	Shield-Heat
300	391569	Muffler-Exhaust	537	★Ø281106	Gasket-Air Cleaner	836	94619	Screw-Hex.
300A	491413	Muffler-Exhaust	613	93927	Screw-Shoulder	872	281108	Cover-Air Cleaner
301	93768	Pipe-Muffler	646	224546	Brace	875	494745	Base-Air Cleaner Plastic
302	261564	Locknut-Muffler	663	94929	Screw-Hex.	883	★Ø272293	Gasket-Exhaust
303	91308	Elbow-Muffler	676	393761	Deflector-Muffler			

★ Included in Gasket Set-Part Number 393411.  
 ● Included in Carburetor Kit-Part No. 495837.

◆ Included in Carburetor Gasket Set-Part No. 494385.  
 Ø Included in Valve Overhaul Gasket Set-Part No. 498539.

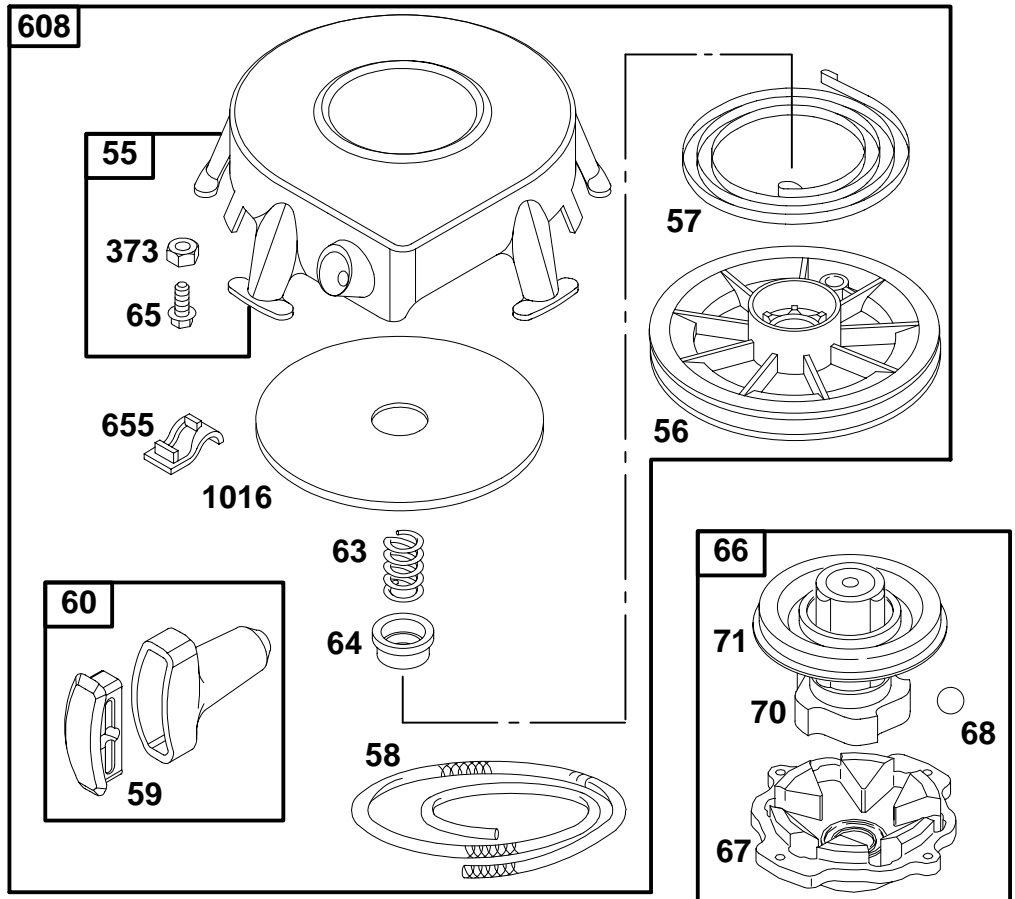
# 258700 to 258799



REF. NO.	PART NO.	DESCRIPTION	REF. NO.	PART NO.	DESCRIPTION	REF. NO.	PART NO.	DESCRIPTION
23	498911	Flywheel	74	94680	Screw-Hex.	363	19203	Flywheel-Puller
23A	498896	Flywheel (For Rewind Start Engines)	75	225136	Washer-Flywheel	423	94073	Screw-Hex.
37	222475	Guard-Flywheel	78	94626	Screw-Hex.	455	222561	Cup-Flywheel
37A	224886	Guard-Flywheel	304	496440	Housing-Blower	712	224871	Guard-Flywheel
38	94811	Screw-Hex.	305	94904	Screw-Hex.	726	392134	Gear-Ring (Includes Mounting Hardware)
73	224517	Screen-Rotating	332	92284	Nut-Flywheel	727	395405	Cover-Starter
73A	224874	Screen-Rotating	333	398811	Armature-Magneto			
			334	94731	Screw-Hex.			
			346	93705	Screw-Hex.			

★ Included in Gasket Set-Part Number 393411.  
 ● Included in Carburetor Kit-Part No. 495837.

◆ Included in Carburetor Gasket Set-Part No. 494385.  
 ◊ Included in Valve Overhaul Gasket Set-Part No. 498539.

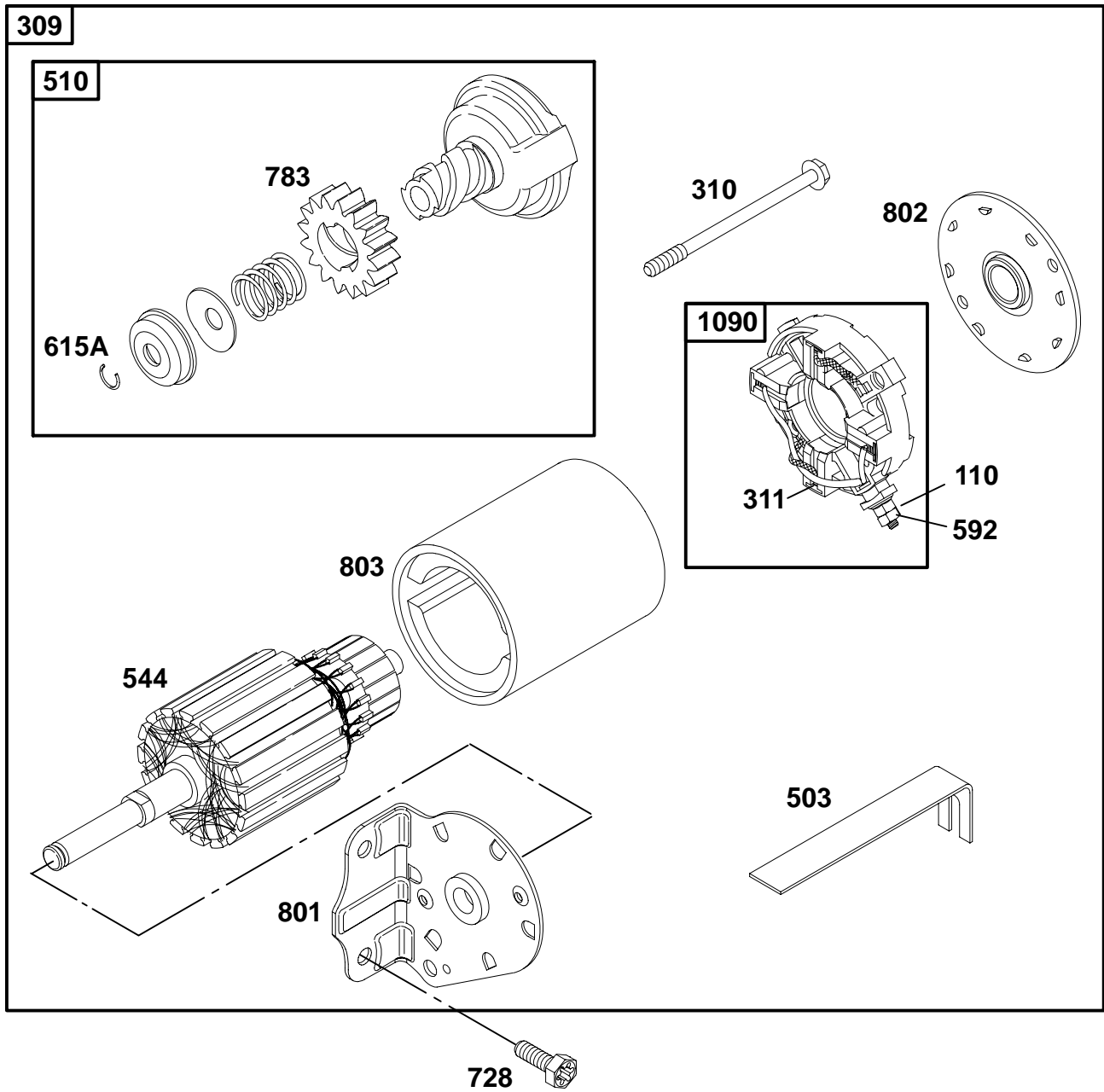


REF. NO.	PART NO.	DESCRIPTION	REF. NO.	PART NO.	DESCRIPTION	REF. NO.	PART NO.	DESCRIPTION
55	393576	Housing-Rewind Starter (Includes 63" Rope)	60	490652	Grip-Starter Rope	68	63770	Ball-Clutch
56	295871	Pulley-Starter	63	260414	Spring-Ratchet	70	298799	Ratchet-Clutch
57	490179	Spring-Rewind Starter	64	230543	Adapter-Ratchet Spring	71	394506	Cover-Ratchet
58	66884	Rope-Starter (63" Long)	65	94128	Screw-Hex.	373	92987	Nut-Hex.
59	490653	Insert-Grip	66	399671	Clutch-Starter	608	390391	Starter-Rewind
			67	394897	Housing-Clutch	655	222598	Anchor-Rewind Spring
						1016	490817	Spacer

★ Included in Gasket Set-Part Number 393411.  
● Included in Carburetor Kit-Part No. 495837.

◆ Included in Carburetor Gasket Set-Part No. 494385.  
∅ Included in Valve Overhaul Gasket Set-Part No. 498539.

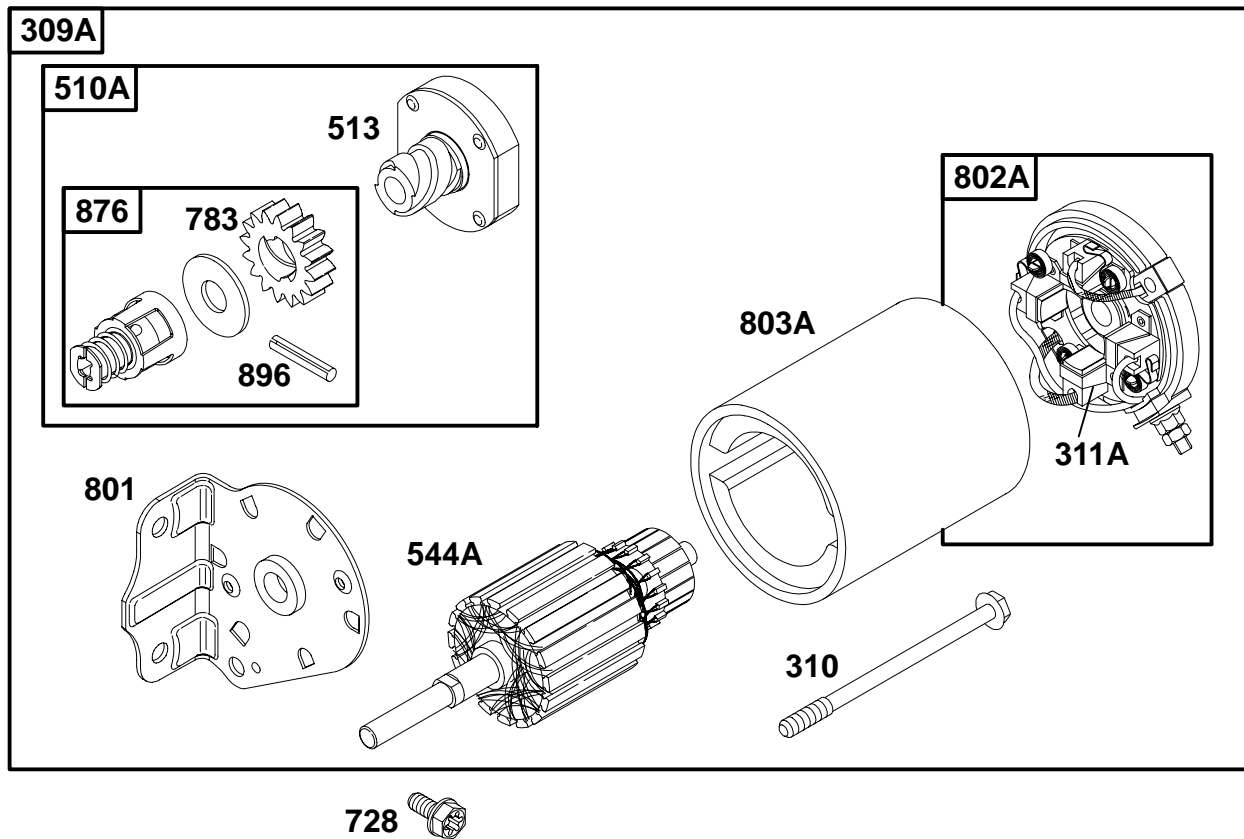
# 258700 to 258799



REF. NO.	PART NO.	DESCRIPTION	REF. NO.	PART NO.	DESCRIPTION	REF. NO.	PART NO.	DESCRIPTION
110	225137	Washer	510	497606	Drive-Starter	783	280104	Gear-Starter
309	497595	Motor-Starter	544	497603	Armature-Starter	801	394856	Cap-Drive
310	94003	Screw-Hex.	592	92278	Nut-Hex.	802	497607	Cap-End
311	497608	Brush Set	615A	263080	Retainer	803	497604	Housing-Starter
503	806000	Strap-Starter	728	94951	Screw-Torx®	1090	497605	Retainer-Brush

★ Included in Gasket Set-Part Number 393411.  
 ● Included in Carburetor Kit-Part No. 495837.

◆ Included in Carburetor Gasket Set-Part No. 494385.  
 ◇ Included in Valve Overhaul Gasket Set-Part No. 498539.

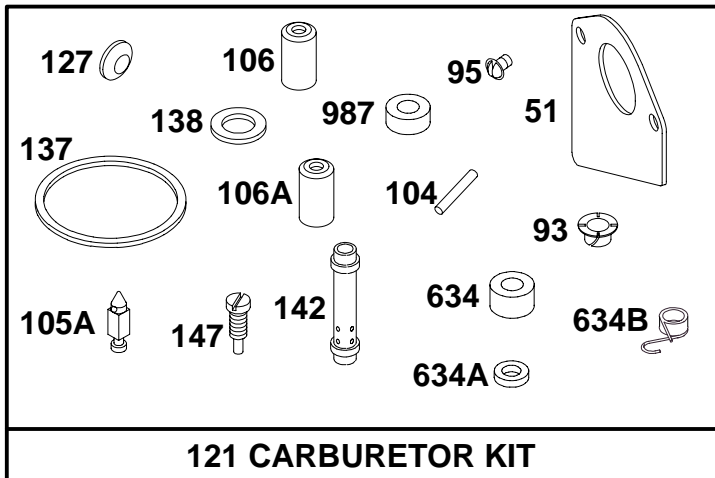


REF. NO.	PART NO.	DESCRIPTION	REF. NO.	PART NO.	DESCRIPTION	REF. NO.	PART NO.	DESCRIPTION
309A	394805	Motor-Starter	544A	390837	Armature-Starter	803A	398159	Housing-Starter
310	94003	Screw-Hex.	728	94951	Screw-Torx®	876	495877	Kit-Gear
311A	395538	Brush Set	783	280104	Gear-Starter	896	94288	Pin-Drive Rretainer
510A	495878	Drive-Starter	801	394856	Cap-Drive			
513	398003	Clutch-Drive	802A	395537	Cap-End			

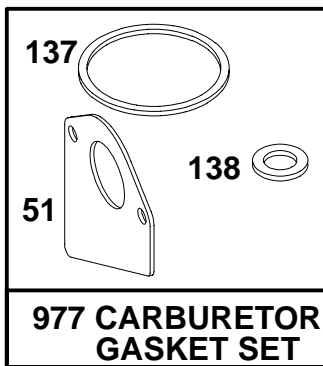
★ Included in Gasket Set-Part Number 393411.  
 ● Included in Carburetor Kit-Part No. 495837.

◆ Included in Carburetor Gasket Set-Part No. 494385.  
 ∅ Included in Valve Overhaul Gasket Set-Part No. 498539.

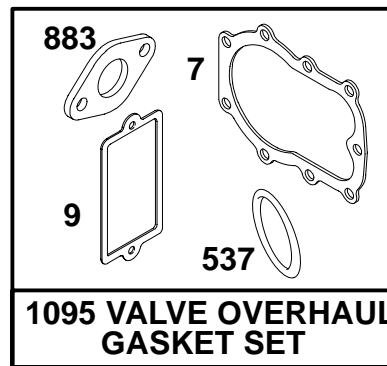
# 258700 to 258799



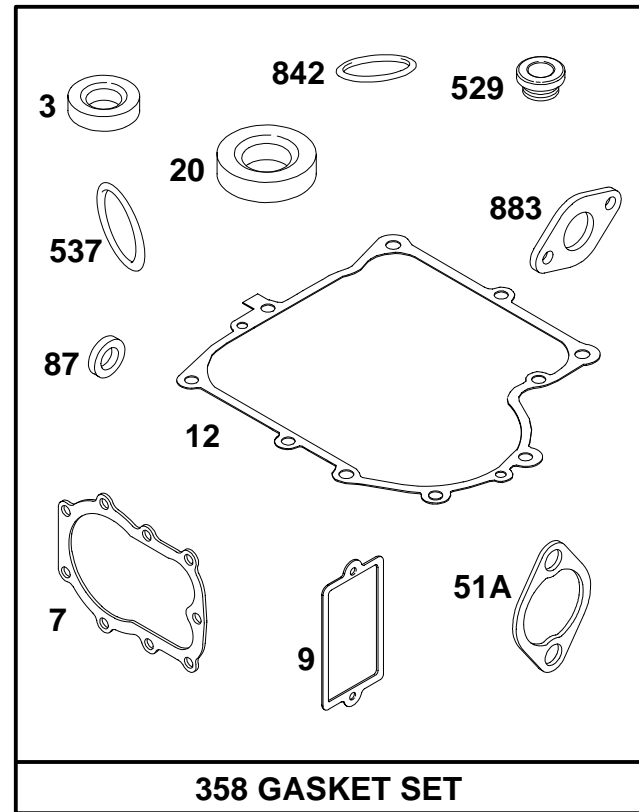
**121 CARBURETOR KIT**



**977 CARBURETOR GASKET SET**



**1095 VALVE OVERHAUL GASKET SET**



**358 GASKET SET**

REF. NO.	PART NO.	DESCRIPTION	REF. NO.	PART NO.	DESCRIPTION	REF. NO.	PART NO.	DESCRIPTION			
3	★391086	Seal-Oil	105A	●231855	Valve-Needle (LMT 54, LMT 55, LMT 91)	127	●	Plug-Welch (Sold in Kit Only)			
7	★∅271866	Gasket-Cylinder Head	106	●280328	Seat-Inlet (Gravity Feed System)	137	●◆281165	Gasket-Float Bowl			
9	★∅27803	Gasket-Breather	106A	●231854	Seat-Inlet (Gravity Feed System)	138	●◆281164	Washer			
12	★271702	Gasket-Crankcase (.015" Thick)			●398188	●281168	Seal-Choke Shaft	142	●494878	Nozzle-Carburetor	
		★270915			Seat-Inlet (Pump Feed System)	147	●497472	Pilot-Jet	147	●497472	Pilot-Jet
		Gasket-Crankcase (.005" Thick)			(LMT 26, LMT 27, LMT 28, LMT 31)	358	393411	Gasket Set	358	393411	Gasket Set
		★270916			●231856	●281168	Seal-Fill Tube	529	★281370	Seal-Fill Tube	
		Gasket-Crankcase (.009" Thick)			Seat-Inlet (LMT 31)	537	★∅281106	Gasket-Air Cleaner	537	★∅281106	Gasket-Air Cleaner
20	★291675	Seal-Oil	106A	●231854	Seat-Inlet (Gravity Feed System)	634	●281168	Seal-Choke Shaft	634	●281168	Seal-Choke Shaft
51	●◆272465	Gasket-Intake			(LMT 54, LMT 55, LMT 91)	634A	●398970	Seal-Throttle Shaft	634A	●398970	Seal-Throttle Shaft
51A	★498869	Gasket-Carb. Mtg.			●231856	●494453	Seal & Spring Assy.	634B	●494453	Seal & Spring Assy.	
87	★491323	Seal-Governor			Seat-Inlet (Pump Feed System)	842	★270920	Seal-O-Ring	842	★270920	Seal-O-Ring
93	●281346	Bushing-Thr. Shaft			(LMT 91)	883	★∅272293	Gasket-Exhaust	883	★∅272293	Gasket-Exhaust
95	●94098	Screw-Choke/Throttle				977	494385	Carburetor Gasket Set	977	494385	Carburetor Gasket Set
104	●231789	Pin-Float Hinge	121	495837	Carburetor Kit	987	●281166	Seal-Throttle Shaft	987	●281166	Seal-Throttle Shaft
						1095	498539	Gasket Set-Valve Overhaul	1095	498539	Gasket Set-Valve Overhaul

★ Included in Gasket Set-Part Number 393411.  
● Included in Carburetor Kit-Part No. 495837.

◆ Included in Carburetor Gasket Set-Part No. 494385.  
∅ Included in Valve Overhaul Gasket Set-Part No. 498539.