

12C700 to 12C799

Illustrated Parts List

Model Series

12C700 to 12C799

TYPE NUMBERS
0608, 1708.

TO FIND
THE CORRECT NUMBER OF THE PART YOU NEED:
FOLLOW THE INSTRUCTIONS BELOW

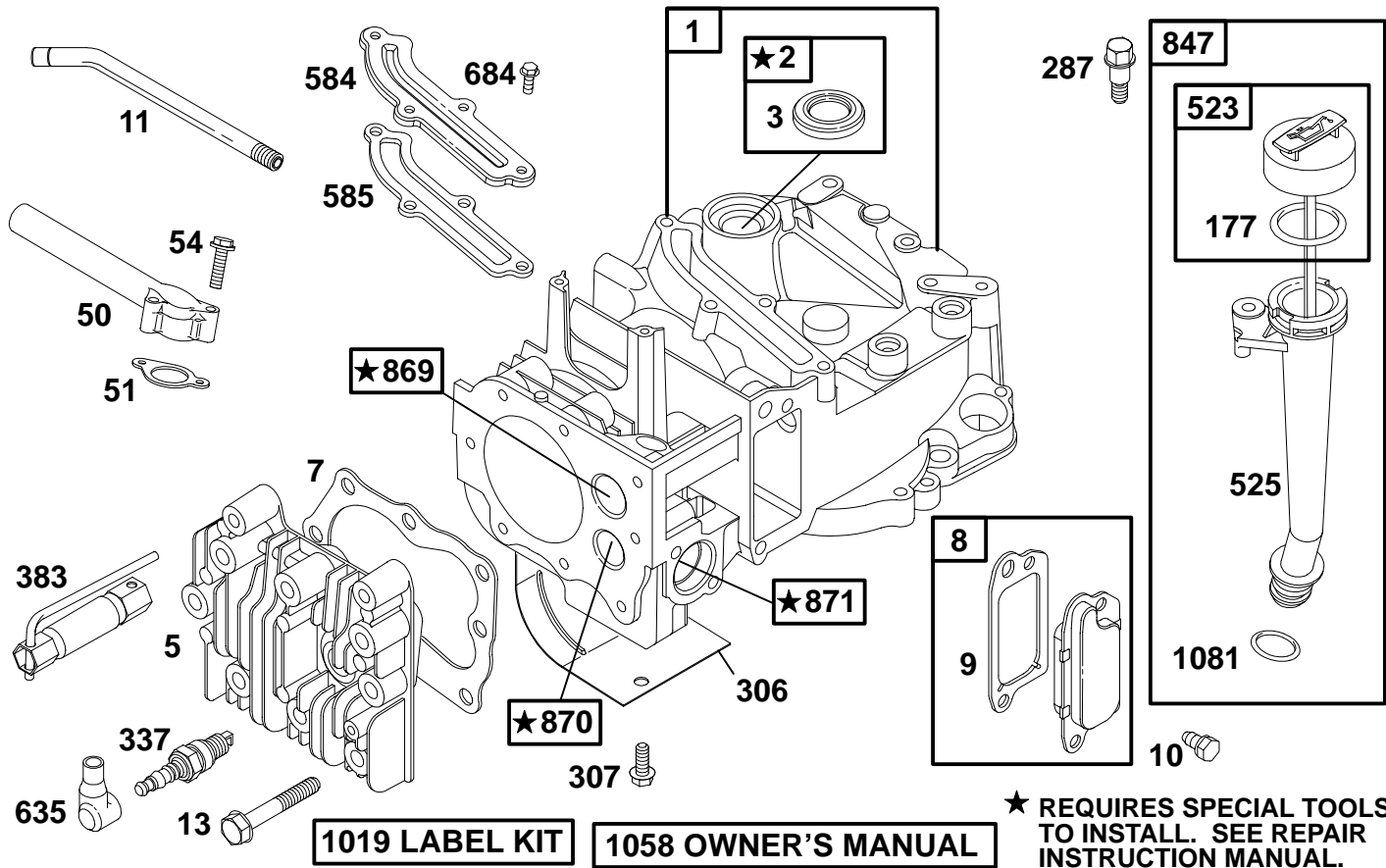
- A. Refer to Engine Model, Type and Code Number that is stamped on the blower housing of engine. Engine type numbers such as 0123 01 are listed only as 0123 in most instances. The two digits (01 or 02, etc.) to the right of the space may be required for more accurate parts identification in some instances. Select the Illustrated Parts List covering the correct Model Series and Type Number.
- B. Refer to the Illustrations and compare the original part with Illustration. The number next to the illustration is the Reference Number. Assemblies include all parts shown in frames. All parts shown in assembly frames having individual reference numbers can be purchased separately.
- C. After the Reference Number has been identified, refer to the Numerical text, where Reference and Primary Part Number are listed. **THE PRIMARY PART IS USED ON ALL TYPE NUMBERS EXCEPT THOSE TYPE NUMBERS UNDER "NOTE."**
- D. If a "Note" appears below the Primary Part Number, it means that this part differs from the Primary Part for certain types. If your Type number is listed under "Note," order the part referred to at the "Note."
- E. If your Engine Type Number does not appear after any part number listed under "Note," use the Primary Part Number.
- F. For Engine Type Numbers not covered by this book, check other Parts Lists having the same engine model or contact your source of supply.

PRINTED IN U.S.A.



COPYRIGHT by BRIGGS & STRATTON CORPORATION
All rights reserved. No part of this material may be reproduced or transmitted, in any form or by any means, electronic or mechanical, including photocopying, recording or by any information storage and retrieval system, without permission in writing from Briggs & Stratton Corporation.

12C700 to 12C799



★ REQUIRES SPECIAL TOOLS TO INSTALL. SEE REPAIR INSTRUCTION MANUAL.

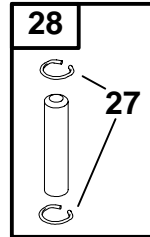
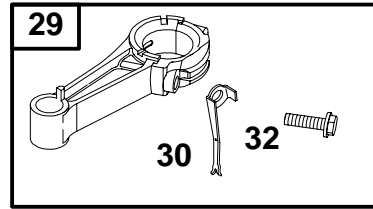
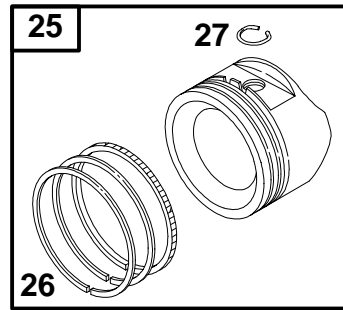
1019 LABEL KIT **1058 OWNER'S MANUAL**

REF. NO.	PART NO.	DESCRIPTION	REF. NO.	PART NO.	DESCRIPTION	REF. NO.	PART NO.	DESCRIPTION
1	494062	Cylinder Assembly	287	690940	Screw (Dipstick Tube)	869	691155	Valve Seat (Intake)
2	399269	Bushing/Seal Kit (Magneto Side)	306	690450	Cylinder Shield	870	690380	Valve Seat (Exhaust)
3	★299819	Oil Seal (Magneto Side)	307	690345	Screw (Cylinder Shield)	871	63709	Bushing Guide (Exhaust)
5	691160	Cylinder Head	337	802592	Spark Plug	———— Note ———		
7	★◇692249	Cylinder Head Gasket	383	89838	Spark Plug Wrench	63709 Bushing Guide (Intake)		
8	495786	Breather Assembly	523	495264	Dipstick	1019	494256	Label Kit
9	★◇272481	Breather Gasket	525	495265	Dipstick Tube	1058	272262	Owner's Manual
10	94650	Screw (Breather Assembly)	584	692342	Breather Passage Cover	———— Note ———		
11	691781	Breather Tube	585	★691879	Breather Passage Gasket	273693 Owner's Manual		
13	690912	Screw (Cylinder Head)	635	66538	Spark Plug Boot	Used on Type No(s). 1708.		
50	497465	Intake Manifold	684	690345	Screw (Breather Passage Cover)	1081	★692296	O-Ring Seal (Dipstick Tube)
51	★272199	Intake Gasket	847	692017	Dipstick/Tube Assembly			
54	691650	Screw (Intake Manifold)						
177	★691031	O-Ring Seal (Dipstick)						

★ Included in Gasket Set—See Ref. No. 358.
 ● Included in Carburetor Overhaul Kit—See Ref. No.121.

◆ Included in Carburetor Gasket Set—See Ref. No. 977.
 ◇ Included in Valve Overhaul Gasket Set—See Ref. No. 1095.

12C700 to 12C799



REF. NO.	PART NO.	DESCRIPTION	REF. NO.	PART NO.	DESCRIPTION	REF. NO.	PART NO.	DESCRIPTION
25	499433	Piston Assembly (Standard) (Used After Code Date 97011200). Note 494058 Piston Assy. (Standard) (Used Before Code Date 97011300). 499434 Piston Assy. (.010 O.S.) (Used After Code Date 97011200). 494059 Piston Assy. (.010 O.S.) (Used Before Code Date 97011300). 499435 Piston Assy. (.020 O.S.) (Used After Code Date 97011200). 494060 Piston Assy. (.020 O.S.) (Used Before Code Date 97011300). 499436 Piston Assy. (.030 O.S.) (Used After Code Date 97011200). 494061 Piston Assy. (.030 O.S.) (Used Before Code Date 97011300).	26	499425	Ring Set (Standard) (Used After Code Date 97011200). Note 493261 Ring Set (Standard) (Used Before Code Date 97011300). 499426 Ring Set (.010 O.S.) (Used After Code Date 97011200). 493388 Ring Set (.010 O.S.) (Used Before Code Date 97011300). 499427 Ring Set (.020 O.S.) (Used After Code Date 97011200). 493389 Ring Set (.020 O.S.) (Used Before Code Date 97011300). 499428 Ring Set (.030 O.S.) (Used After Code Date 97011200). 493390 Ring Set (.030 O.S.) (Used Before Code Date 97011300).	27	691866	Piston Pin Lock (Used After Code Date 97011200). Note 691588 Piston Pin Lock (Used Before Code Date 97011300). 28 499423 Piston Pin (Standard) (Used After Code Date 97011200). Note 298909 Piston Pin (Standard) (Used Before Code Date 97011300). 298908 Piston Pin (.005 O.S.) (Used Before Code Date 97011300). 29 499424 Connecting Rod (Standard) (Used After Code Date 97011200). Note 490566 Connecting Rod (Standard) (Used Before Code Date 97011300). 490743 Connecting Rod (.020 Undersize) (Used Before Code Date 97011300). 30 692562 Connecting Rod Dipper 32 691664 Screw (Connecting Rod)

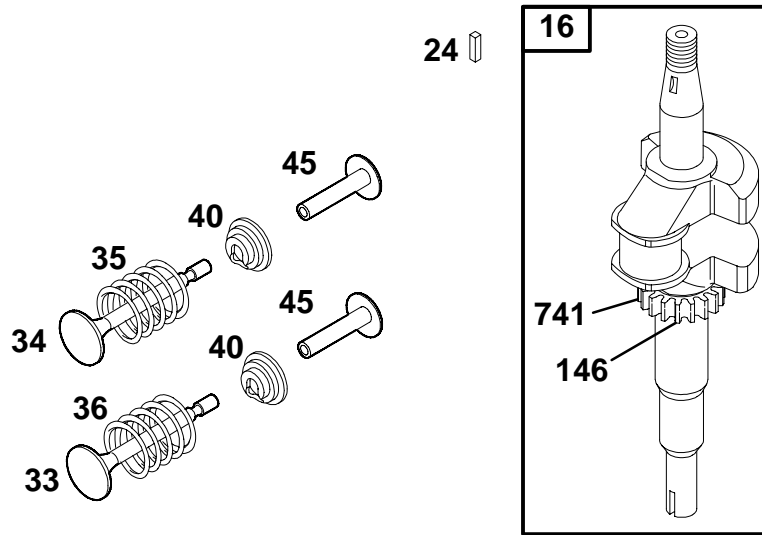
★ Included in Gasket Set—See Ref. No. 358.

● Included in Carburetor Overhaul Kit—See Ref. No.121.

◆ Included in Carburetor Gasket Set—See Ref. No. 977.

◊ Included in Valve Overhaul Gasket Set—See Ref. No. 1095.

12C700 to 12C799



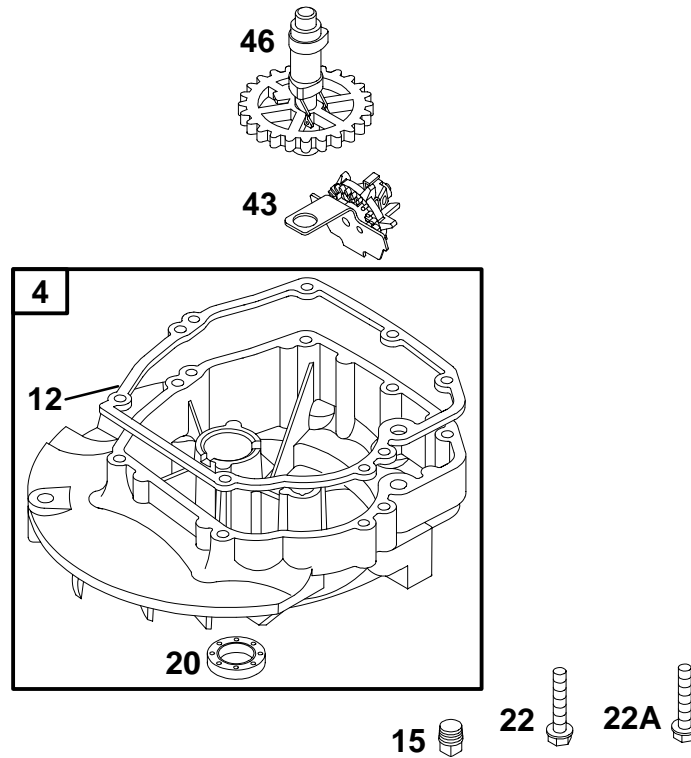
REF. NO.	PART NO.	DESCRIPTION	REF. NO.	PART NO.	DESCRIPTION	REF. NO.	PART NO.	DESCRIPTION
16	691450	Crankshaft (Used After Code Date 97011200). Note 493282 Crankshaft (Used Before Code Date 97011300).	24	222698	Flywheel Key	40	692194	Valve Retainer
			33	262651	Exhaust Valve	45	690548	Valve Tappet
			34	262652	Intake Valve	146	690979	Timing Key
			35	691270	Valve Spring (Intake)	741	691830	Timing Gear
			36	691270	Valve Spring (Exhaust)			

★ Included in Gasket Set—See Ref. No. 358.

● Included in Carburetor Overhaul Kit—See Ref. No.121.

◆ Included in Carburetor Gasket Set—See Ref. No. 977.

∅ Included in Valve Overhaul Gasket Set—See Ref. No. 1095.



REF. NO.	PART NO.	DESCRIPTION	REF. NO.	PART NO.	DESCRIPTION	REF. NO.	PART NO.	DESCRIPTION
4	493279	Engine Sump	22A	94612	Screw (Crankcase Cover/ Sump)	46	691449	Camshaft (Used After Code Date 96060200).
12	★692232	Crankcase Gasket			(One Used in Hole Nearest Breather)	<p align="center">Note</p> 492830 Camshaft (Used Before Code Date 96060300).		
15	691680	Oil Drain Plug	43	691997	Governor/Oil Slinger			
20	★399781	Oil Seal (PTO Side)						
22	691092	Screw (Crankcase Cover/ Sump)						

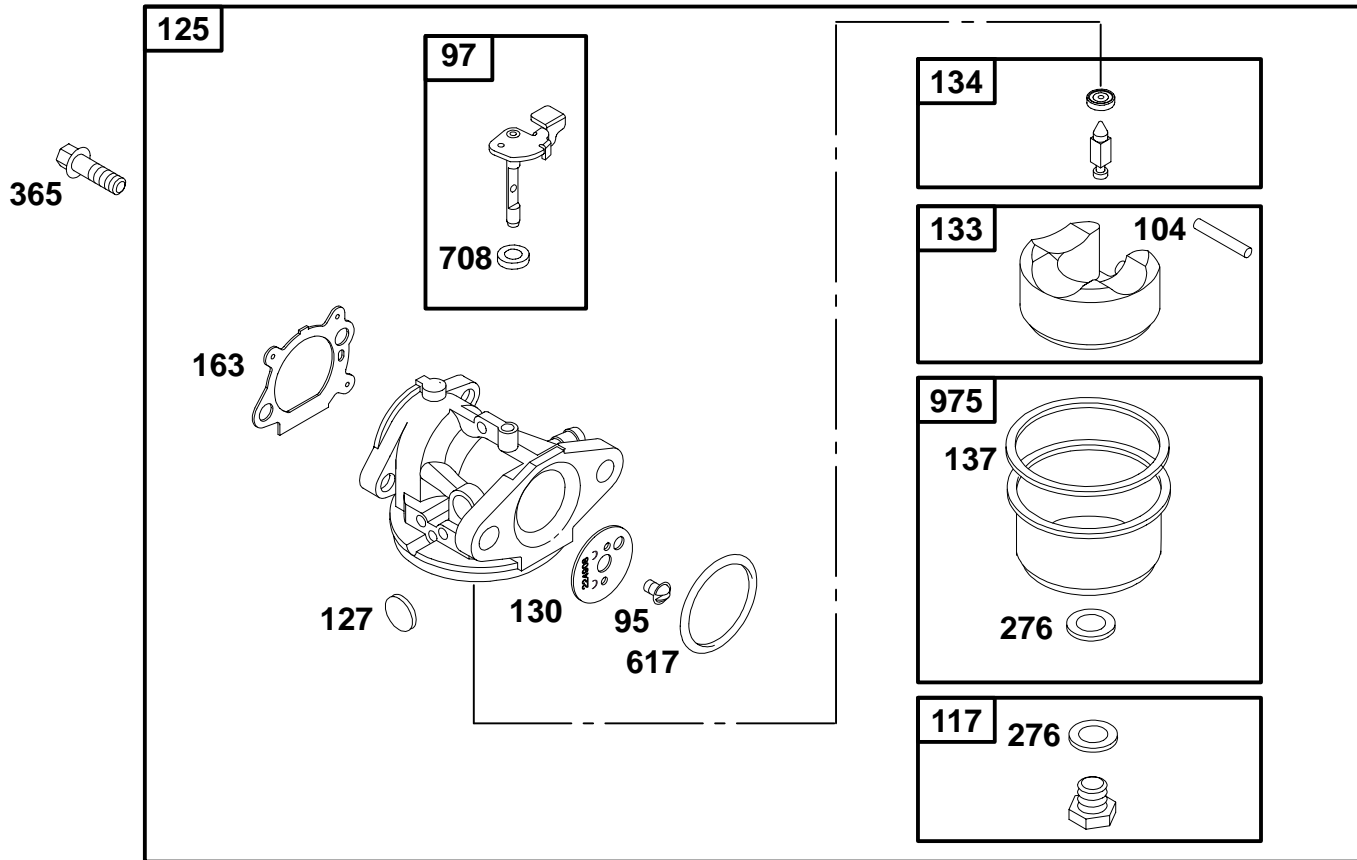
★ Included in Gasket Set—See Ref. No. 358.

● Included in Carburetor Overhaul Kit—See Ref. No.121.

◆ Included in Carburetor Gasket Set—See Ref. No. 977.

◊ Included in Valve Overhaul Gasket Set—See Ref. No. 1095.

12C700 to 12C799



REF. NO.	PART NO.	DESCRIPTION	REF. NO.	PART NO.	DESCRIPTION	REF. NO.	PART NO.	DESCRIPTION	
95	691636	Screw (Throttle Valve)	125	498966	Carburetor (Used After Code Date 96060200).	133	398187	Carburetor Float	
97	493267	Throttle Shaft				134	398188	Needle/Seat Kit	
104	691242	Float Hinge Pin				137	693981	Float Bowl Gasket	
117	498975	Main Jet (Standard) (Used After Code Date 96060200).			Note	163	272653	Air Cleaner Gasket	
		Note			498254	Carburetor (Used After Code Date 95102900 and Before Code Date 96060300).	276	271716	Sealing Washer
		497466 Main Jet (Standard) (Used Before Code Date 96060300).			497586	Carburetor (Used Before Code Date 95103000).	365	692524	Screw (Carburetor)
		496495 Main Jet (High Altitude) (Used After Code Date 96060200).	127	694468	Welch Plug	617	270344	O-Ring Seal (Intake Manifold)	
		496495 Main Jet (High Altitude) (Used Before Code Date 96060300).	130	691203	Throttle Valve	708	691321	Seal-Dust (Throttle Shaft)	
						975	493640	Float Bowl	

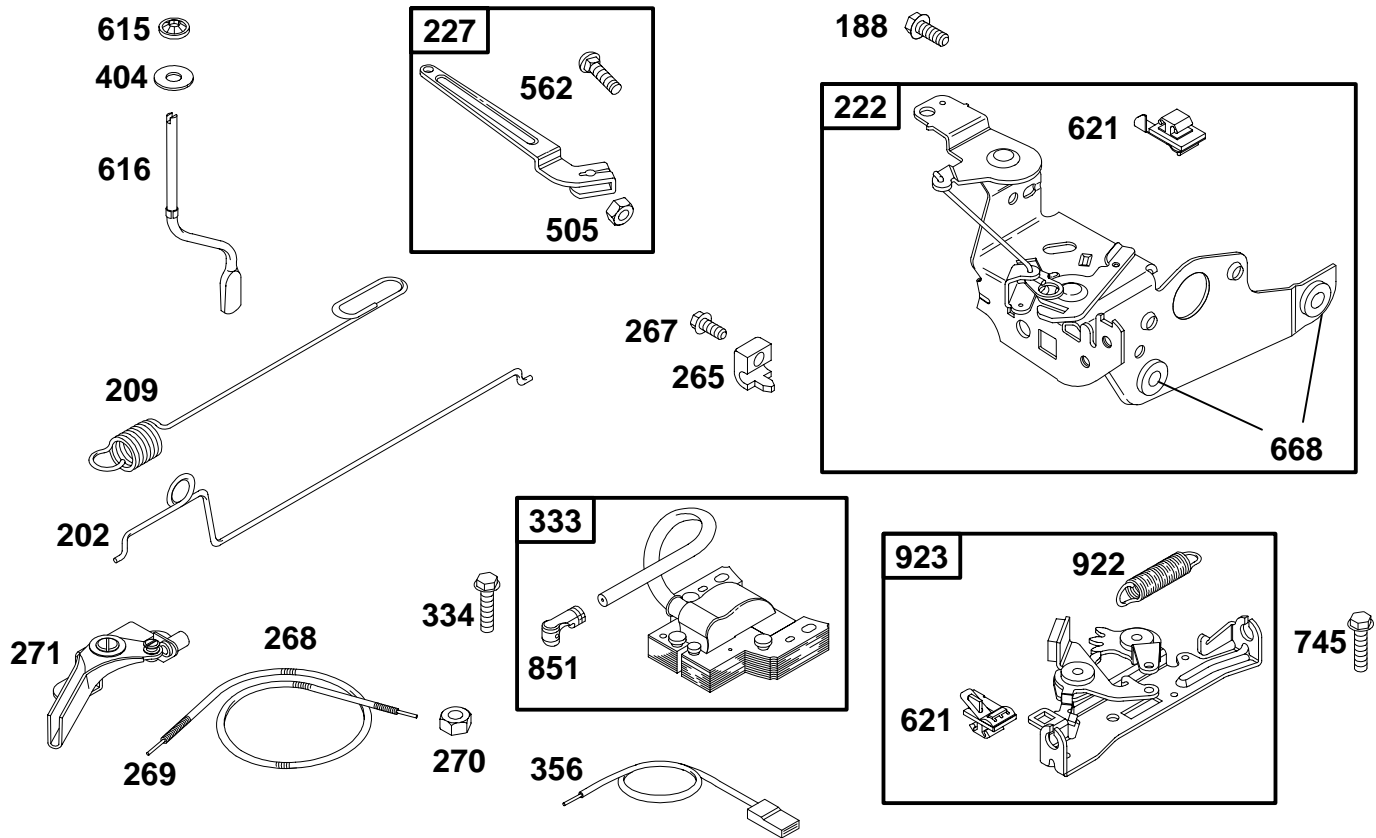
★ Included in Gasket Set—See Ref. No. 358.

● Included in Carburetor Overhaul Kit—See Ref. No.121.

◆ Included in Carburetor Gasket Set—See Ref. No. 977.

∅ Included in Valve Overhaul Gasket Set—See Ref. No. 1095.

12C700 to 12C799



REF. NO.	PART NO.	DESCRIPTION	REF. NO.	PART NO.	DESCRIPTION	REF. NO.	PART NO.	DESCRIPTION
188	690877	Screw (Control Bracket)	269	691589	Control Wire (Cut to Required Length)	562	94852	Bolt (Governor Control Lever)
202	691829	Mechanical Governor Link	270	63426	Nut (Control Wire Casing)	615	690340	Retainer–Governor Shaft
209	691292	Governor Spring	271	290568	Control Lever	616	691306	Crank–Governor
222	692031	Control Bracket	333	802574	Magneto Armature	621	692310	Stop Switch
227	690783	Governor Control Lever	334	94731	Screw (Magneto Armature)	668	★493823	Spacer (Includes 2)
265	690798	Casing Clamp	356	692390	Stop Wire	745	691648	Screw (Brake)
267	691044	Screw (Casing Clamp)	404	690272	Washer (Governor Crank)	851	493880	Spark Plug Terminal
268	691072	Control Wire Casing (Cut to Required Length)	505	231082	Nut (Governor Control Wire)	922	691831	Spring–Brake
						923	691994	Brake

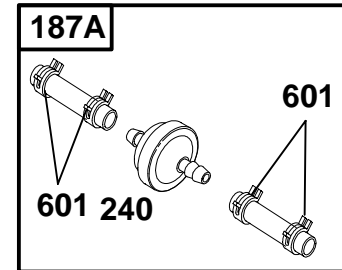
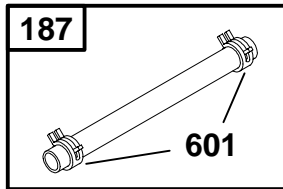
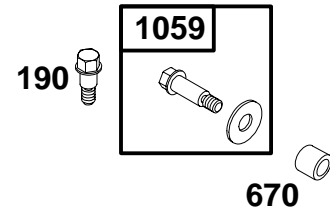
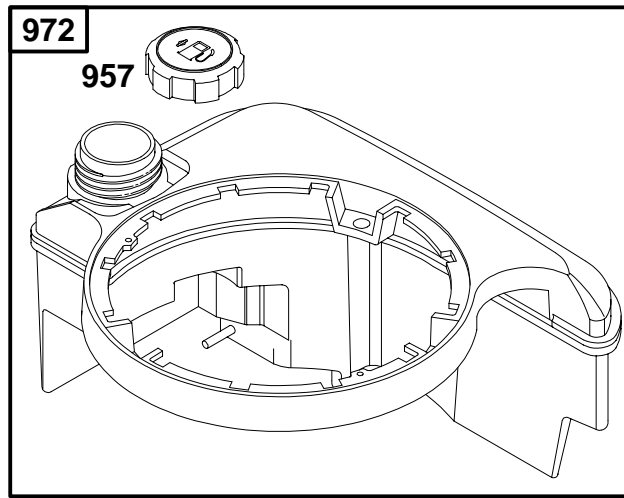
★ Included in Gasket Set–See Ref. No. 358.

● Included in Carburetor Overhaul Kit–See Ref. No.121.

◆ Included in Carburetor Gasket Set–See Ref. No. 977.

∅ Included in Valve Overhaul Gasket Set–See Ref. No. 1095.

12C700 to 12C799

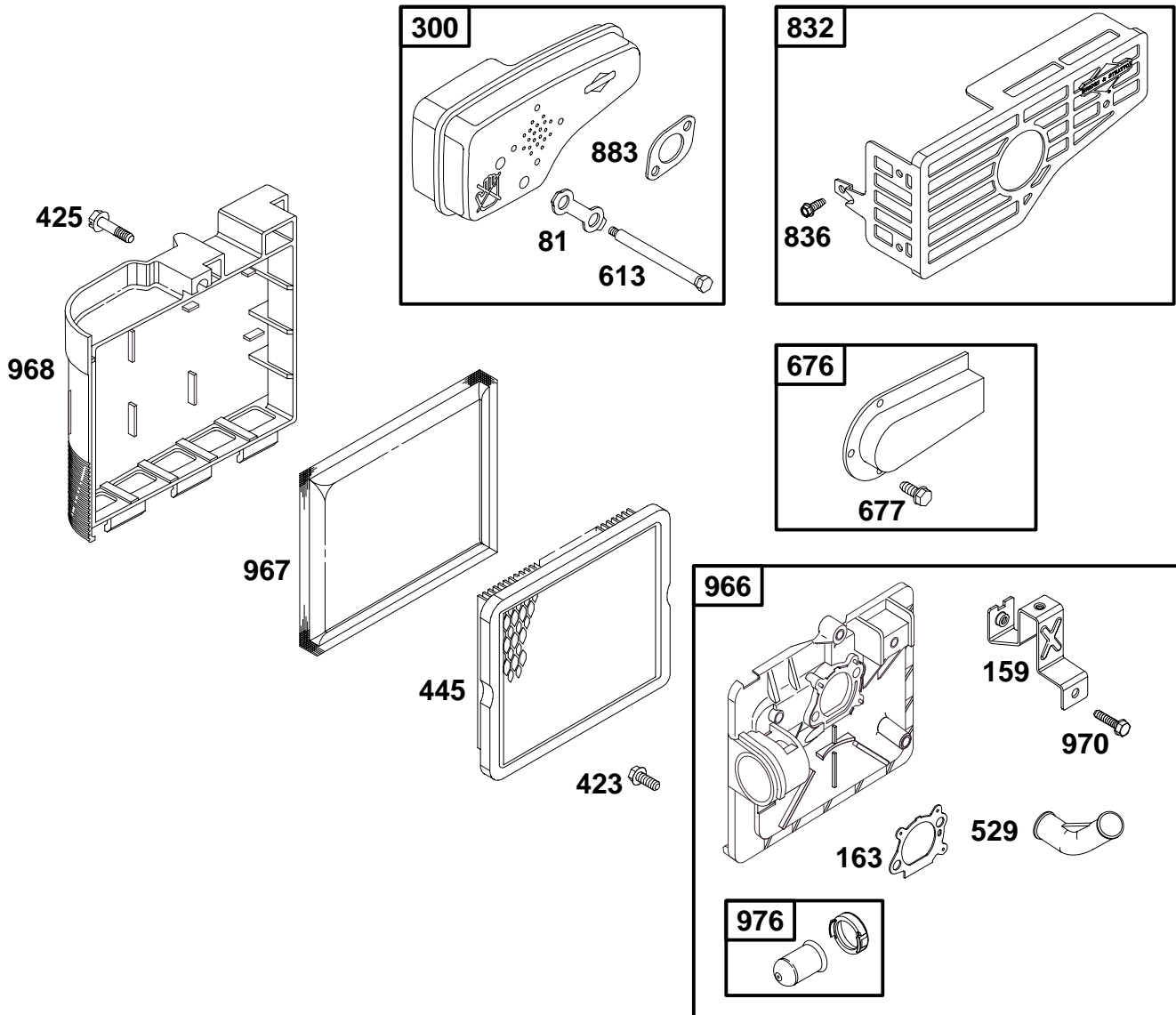


REF. NO.	PART NO.	DESCRIPTION	REF. NO.	PART NO.	DESCRIPTION	REF. NO.	PART NO.	DESCRIPTION
187	691050	Fuel Line	240	298090	Fuel Filter	957	397974	Fuel Tank Cap
187A	692042	Fuel Line	601	95162	Hose Clamp	972	497224	Fuel Tank
190	690940	Screw (Fuel Tank)	670	692294	Fuel Tank Spacer	1059	692311	Screw/Washer Kit

★ Included in Gasket Set—See Ref. No. 358.
 ● Included in Carburetor Overhaul Kit—See Ref. No.121.

◆ Included in Carburetor Gasket Set—See Ref. No. 977.
 ∅ Included in Valve Overhaul Gasket Set—See Ref. No. 1095.

12C700 to 12C799



REF. NO.	PART NO.	DESCRIPTION	REF. NO.	PART NO.	DESCRIPTION	REF. NO.	PART NO.	DESCRIPTION
81	691740	Muffler Screw Lock	613	691340	Screw (Muffler)	968	692298	Air Cleaner Cover
159	691753	A/C Primer Bracket	676	493871	Muffler Deflector	970	691669	Screw (A/C Primer Bracket)
163	★◆272653	Air Cleaner Gasket	677	690661	Screw (Muffler Deflector)	976	694395	Primer-Carburetor (Used After Code Date 99103100).
300	496106	Exhaust Muffler	832	499034	Muffler Guard	Note 496115 Primer-Carburetor (Used Before Code Date 99110100).		
423	692523	Screw (Air Cleaner Primer Base)	836	690664	Screw (Muffler Guard)			
425	690670	Screw (Air Cleaner Cover)	883	691881	Exhaust Gasket			
445	491588	A/C Cartridge Filter	966	496116	A/C Primer Base			
529	281299	Grommet	967	493537	Filter-Pre-Cleaner			

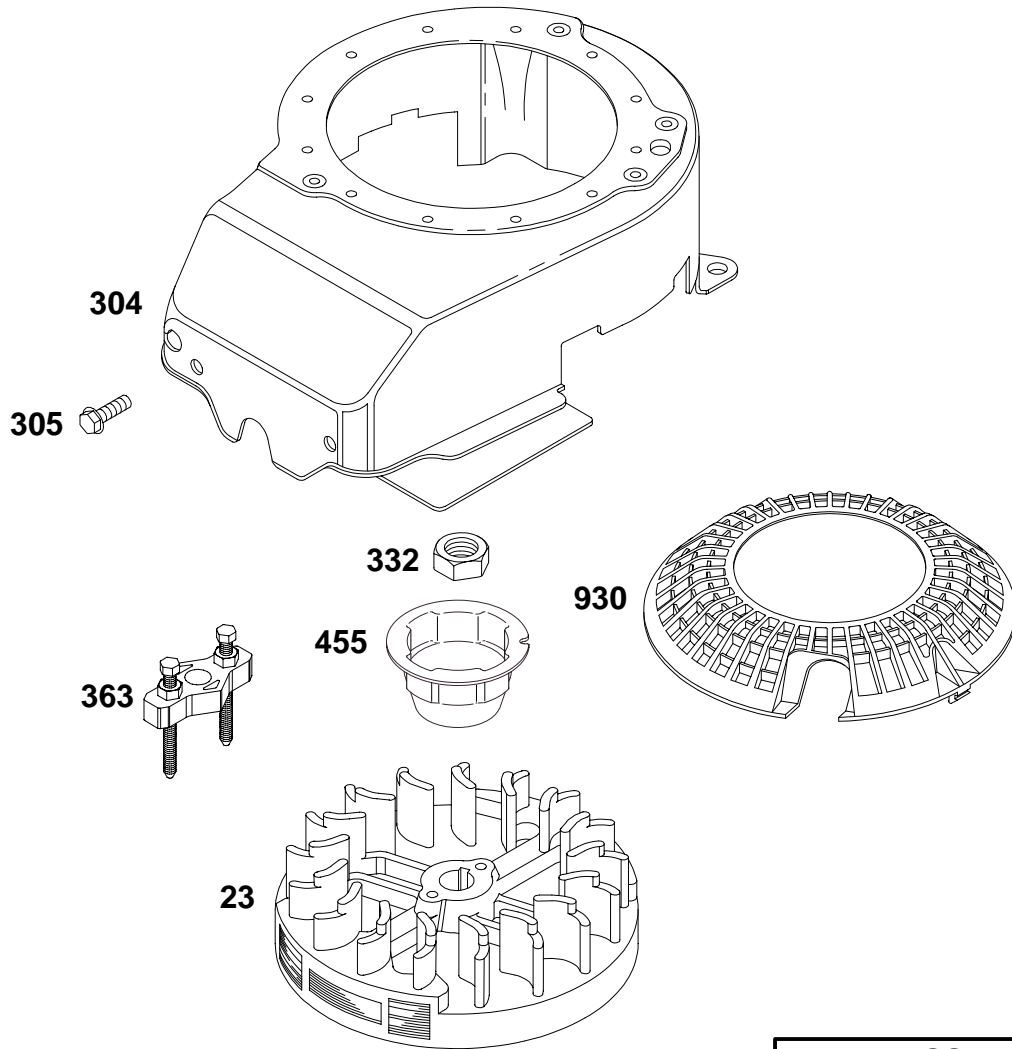
★ Included in Gasket Set—See Ref. No. 358.

● Included in Carburetor Overhaul Kit—See Ref. No.121.

◆ Included in Carburetor Gasket Set—See Ref. No. 977.

∅ Included in Valve Overhaul Gasket Set—See Ref. No. 1095.

12C700 to 12C799



1036 EMISSIONS LABEL

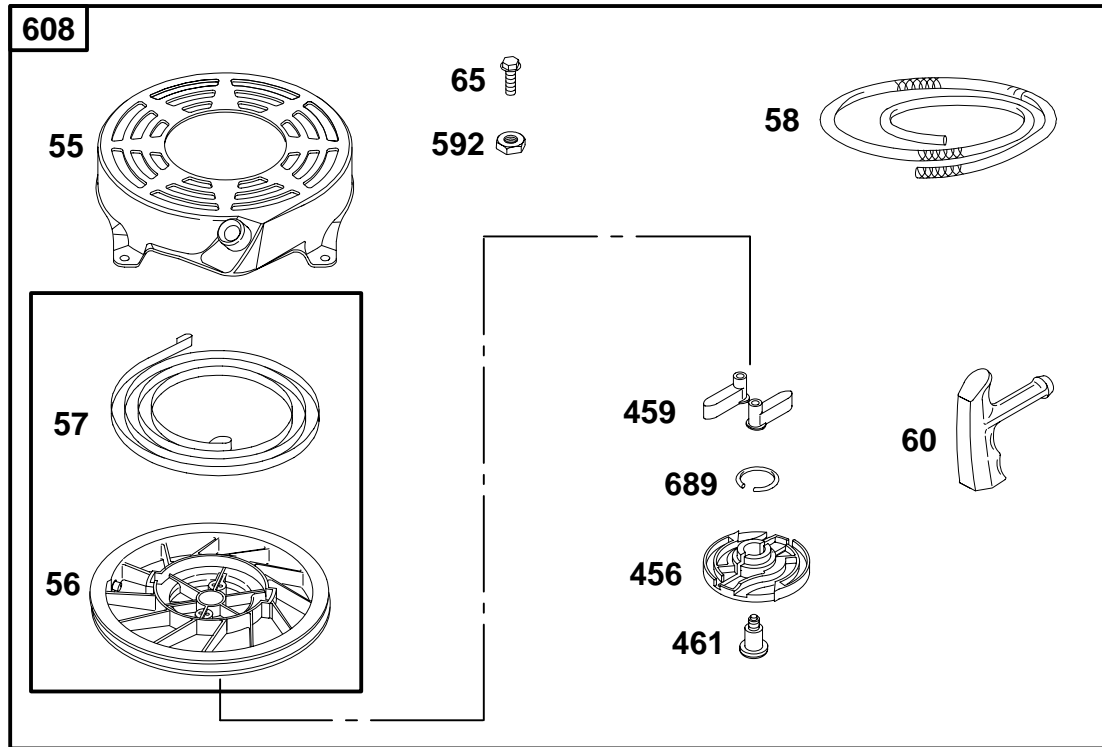
REF. NO.	PART NO.	DESCRIPTION	REF. NO.	PART NO.	DESCRIPTION	REF. NO.	PART NO.	DESCRIPTION
23	692315	Flywheel	332	690662	Nut (Flywheel)	930	691919	Rewind Guard
304	493293	Blower Housing	363	19069	Flywheel Puller	1036	499341	Emissions Label
305	691108	Screw (Blower Housing)	455	691219	Flywheel Cup			Used on Type No(s). 1708.

★ Included in Gasket Set—See Ref. No. 358.

● Included in Carburetor Overhaul Kit—See Ref. No.121.

◆ Included in Carburetor Gasket Set—See Ref. No. 977.

⊘ Included in Valve Overhaul Gasket Set—See Ref. No. 1095.



REF. NO.	PART NO.	DESCRIPTION	REF. NO.	PART NO.	DESCRIPTION	REF. NO.	PART NO.	DESCRIPTION
55	691421	Rewind Starter Housing	60	281434	Starter Rope Grip	461	691696	Screw (Pawl Friction Plate)
56	498144	Starter Pulley	65	690759	Screw	592	690800	Nut (Rewind Starter)
57	498144	Rewind Starter Spring	456	692299	Pawl Friction Plate	608	497680	Rewind Starter
58	280399	Starter Rope (Cut To Required Length)	459	281505	Ratchet Pawl	689	691855	Friction Spring

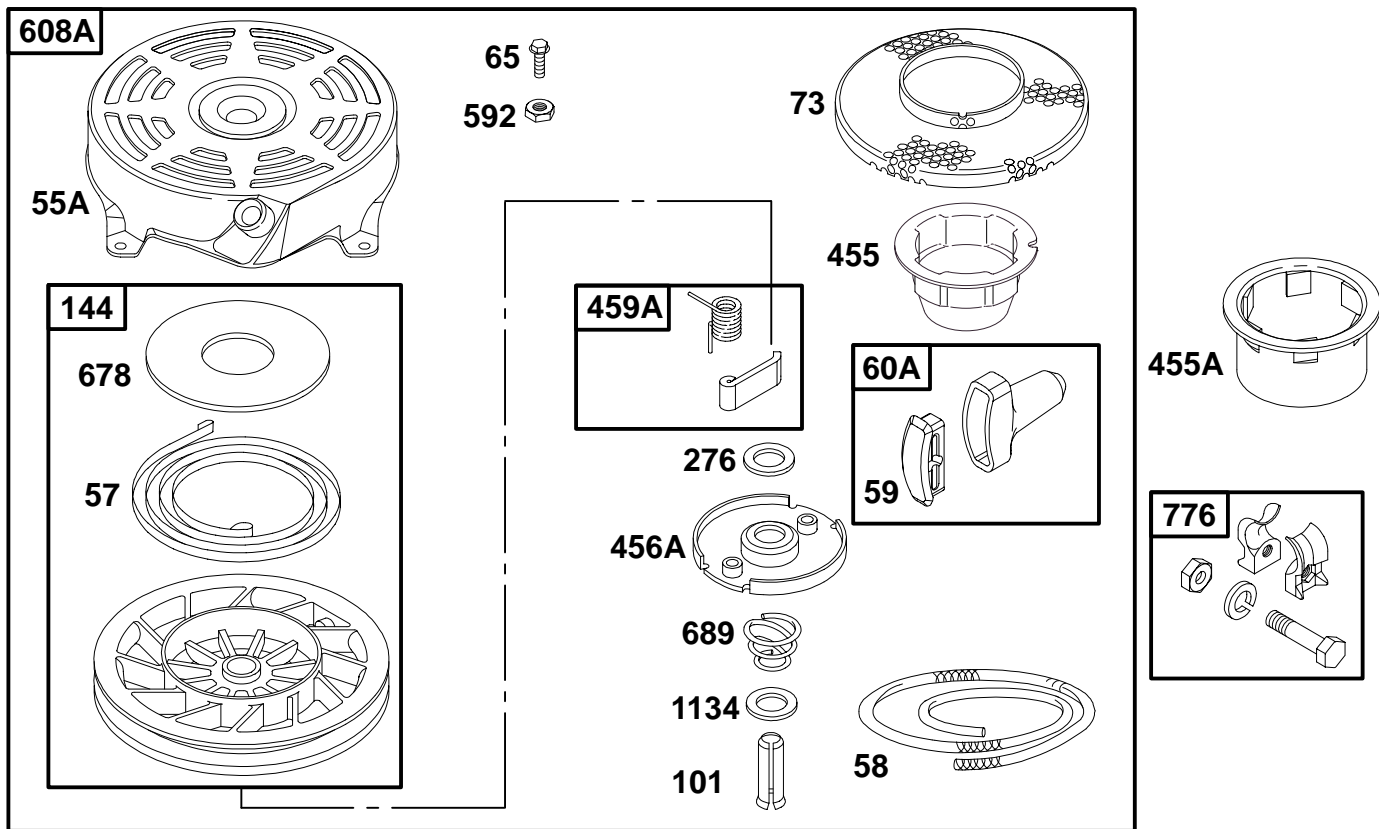
★ Included in Gasket Set—See Ref. No. 358.

● Included in Carburetor Overhaul Kit—See Ref. No.121.

◆ Included in Carburetor Gasket Set—See Ref. No. 977.

∅ Included in Valve Overhaul Gasket Set—See Ref. No. 1095.

12C700 to 12C799



REF. NO.	PART NO.	DESCRIPTION	REF. NO.	PART NO.	DESCRIPTION	REF. NO.	PART NO.	DESCRIPTION
55A	492831	Rewind Starter Housing	73	691222	Rotating Screen	459A	492833	Ratchet Pawl
57	491889	Rewind Starter Spring	101	262626	Shaft Pin	592	690800	Nut (Rewind Starter)
58	280399	Starter Rope (Cut To Required Length)	144	493824	Pulley/Spring Assembly	608A	497598	Rewind Starter
59	396892	Grip Insert	276	280973	Sealing Washer	678	224278	Rewind Spacer
60A	393152	Starter Rope Grip	455	691219	Flywheel Cup	689	262625	Friction Spring
65	690759	Screw (Rewind Starter)	455A	224250	Flywheel Cup	776	396526	Rope Guide
			456A	224321	Pawl Friction Plate	1134	224322	Washer (Pawl Friction Plate)

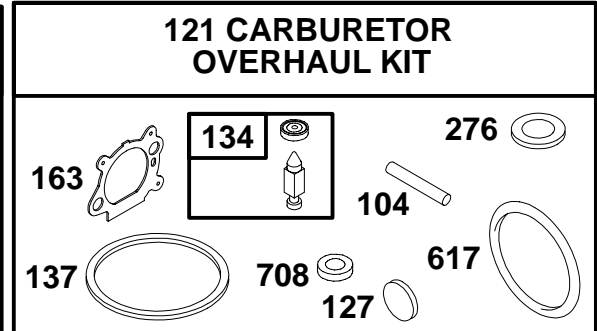
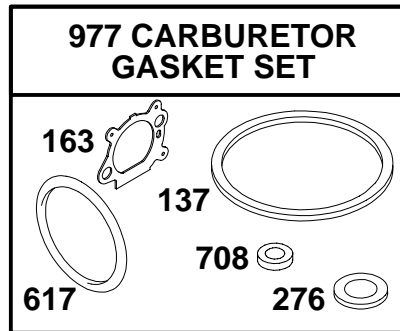
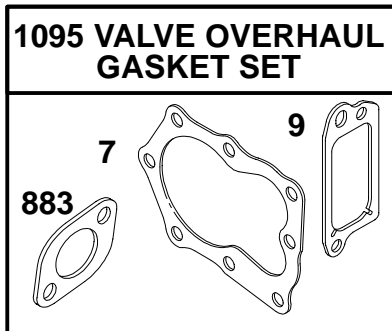
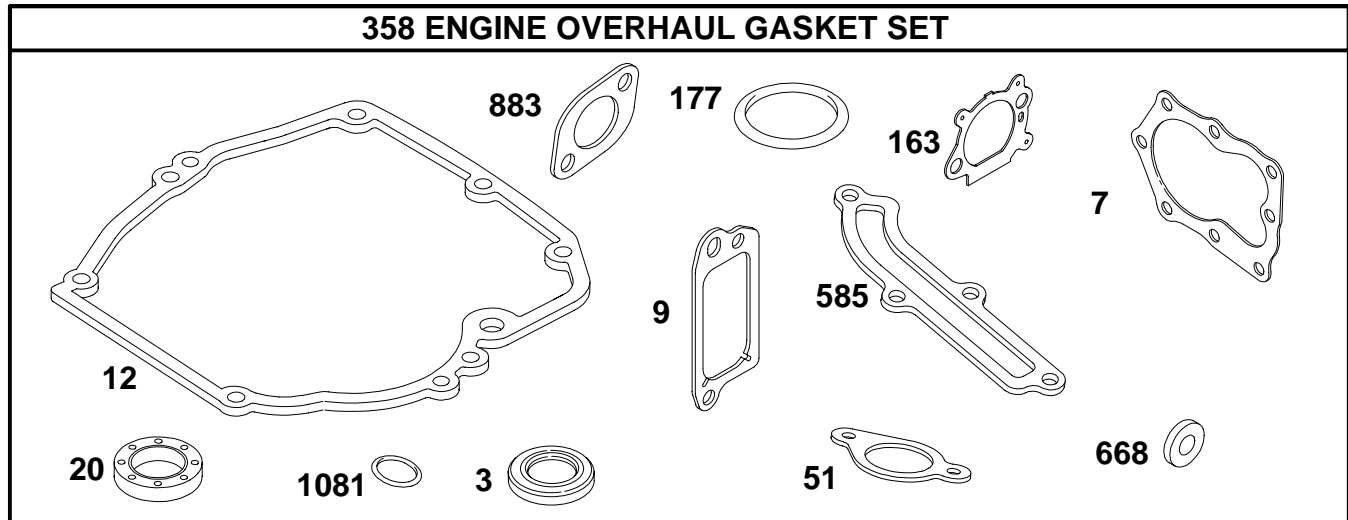
★ Included in Gasket Set—See Ref. No. 358.

● Included in Carburetor Overhaul Kit—See Ref. No.121.

◆ Included in Carburetor Gasket Set—See Ref. No. 977.

∅ Included in Valve Overhaul Gasket Set—See Ref. No. 1095.

12C700 to 12C799



REF. NO.	PART NO.	DESCRIPTION	REF. NO.	PART NO.	DESCRIPTION	REF. NO.	PART NO.	DESCRIPTION
3	★299819	Oil Seal (Magneto Side)	134	◆398188	Needle/Seat Kit	668	★493823	Spacer (Includes 2)
7	★∅≈▲≈	Cylinder Head Gasket	137	◆693981	Float Bowl Gasket	708	◆691321	Seal-Dust (Throttle Shaft)
9	★∅272481	Breather Gasket	163	★◆272653	Air Cleaner Gasket	883	★∅691881	Exhaust Gasket
12	★692232	Crankcase Gasket	177	★2691031	O-Ring Seal (Dipstick)	977	498261	Carburetor Gasket Set
20	★399781	Oil Seal (PTO Side)	276	◆271716	Sealing Washer	1081	★692296	O-Ring Seal (Dipstick Tube)
51	★272199	Intake Gasket	358	497316	Engine Overhaul Gasket Set	1095	498528	Valve Overhaul Gasket Set
104	◆691242	Float Hinge Pin	585	★691879	Breather Passage Gasket			
121	498260	Carburetor Overhaul Kit	617	◆270344	O-Ring Seal (Intake Manifold)			
127	◆694468	Welch Plug						

★ Included in Gasket Set—See Ref. No. 358.

◆ Included in Carburetor Overhaul Kit—See Ref. No. 121.

◆ Included in Carburetor Gasket Set—See Ref. No. 977.

∅ Included in Valve Overhaul Gasket Set—See Ref. No. 1095.