

12A800 to 12A899

Illustrated Parts List

Model Series

12A800 to 12A899

TYPE NUMBERS

0100, 0413, 0414,
0508, 0511, 0512,
0513, 0514,
0600, 0611, 0612,
0688, 0808, 0813,
0814, 1508, 1514.

TO FIND

THE CORRECT NUMBER OF THE PART YOU NEED: FOLLOW THE INSTRUCTIONS BELOW

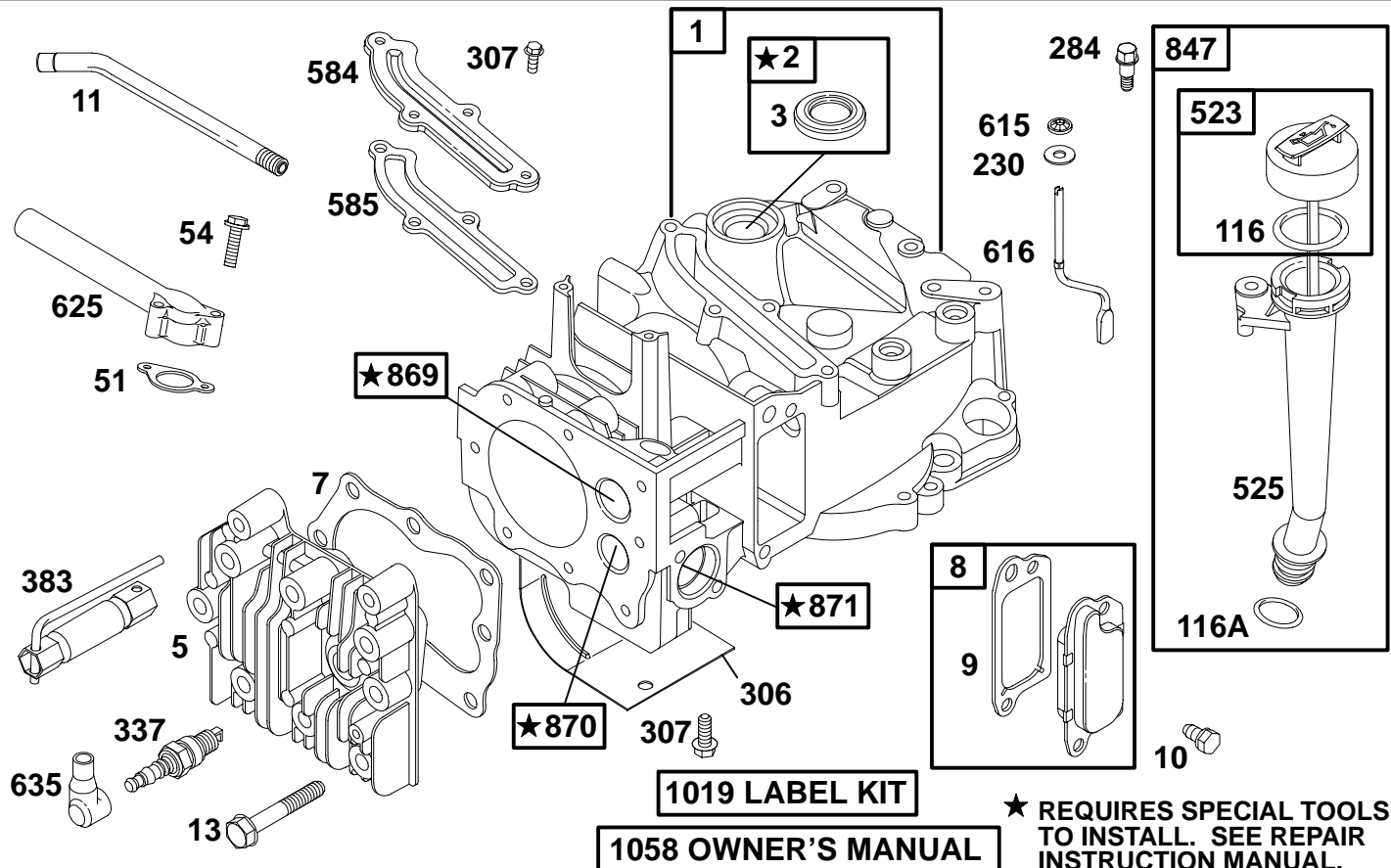
- A. Refer to Engine Model, Type and Code Number that is stamped on the blower housing of engine. Engine type numbers such as 0123 01 are listed only as 0123 in most instances. The two digits (01 or 02, etc.) to the right of the space may be required for more accurate parts identification in some instances. Select the Illustrated Parts List covering the correct Model Series and Type Number.
- B. Refer to the Illustrations and compare the original part with Illustration. The number next to the illustration is the Reference Number. Assemblies include all parts shown in frames. All parts shown in assembly frames having individual reference numbers can be purchased separately.
- C. After the Reference Number has been identified, refer to the Numerical text, where Reference and Primary Part Number are listed. **THE PRIMARY PART IS USED ON ALL TYPE NUMBERS EXCEPT THOSE TYPE NUMBERS UNDER "NOTE."**
- D. If a "Note" appears below the Primary Part Number, it means that this part differs from the Primary Part for certain types. If your Type number is listed under "Note," order the part referred to at the "Note."
- E. If your Engine Type Number does not appear after any part number listed under "Note," use the Primary Part Number.
- F. For Engine Type Numbers not covered by this book, check other Parts Lists having the same engine model or contact your source of supply.

PRINTED IN U.S.A.



COPYRIGHT by BRIGGS & STRATTON CORPORATION
All rights reserved. No part of this material may be reproduced or transmitted, in any form or by any means, electronic or mechanical, including photocopying, recording or by any information storage and retrieval system, without permission in writing from Briggs & Stratton Corporation.

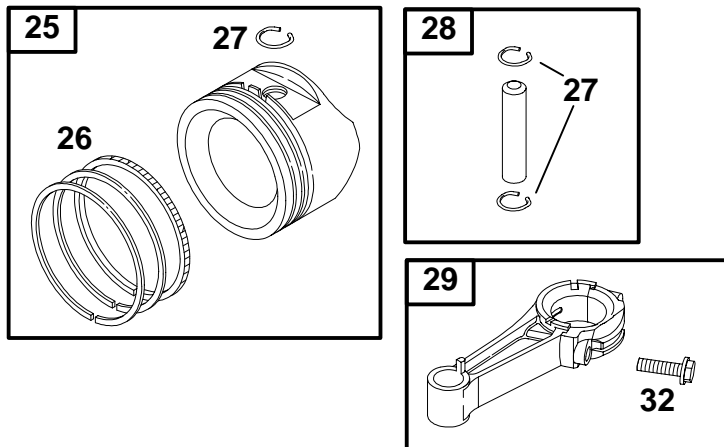
12A800 to 12A899



REF. NO.	PART NO.	DESCRIPTION	REF. NO.	PART NO.	DESCRIPTION	REF. NO.	PART NO.	DESCRIPTION
1	493260	Cylinder Assembly	9	★Ø272481	Gasket-Breather			Passage
2	293708	Bushing	10	94955	Screw-Hex.	615	94474	Retainer
3	★299819	Seal-Oil	11	231685	Tube-Breather	616	263175	Crank-Governor
5	214626	Head-Cylinder (Used After Code Date 96060200).	13	94547	Screw-Hex.	625	497465	Manifold-Intake
		Note _____	51	★272199	Gasket-Intake	635	66538	Boot-Spark Plug
		214349 Head-Cylinder (Used Before Code Date 96060300).	54	94526	Screw-Hex.	847	495263	Dipstick/Tube Assembly
7	★Ø272916	Gasket-Cylinder Head (Used After Code Date 96060200).	116	★280393	Seal-O-Ring	869	213512	Seat-Valve (Intake)
		Note _____	116A	★280966	Seal-O-Ring	870	213513	Seat-Valve (Exhaust)
		★Ø272200 Gasket-Cylinder Head (Used Before Code Date 96060300).	230	67072	Washer	871	262001	Bushing-Guide (Exhaust)
8	495786	Breather Assembly	284	94511	Screw-Shoulder			Note _____
			306	224324	Shield-Cylinder			63709 Bushing-Guide (Intake)
			307	94515	Screw-Hex.	1019	494256	Label Kit
			337	802592	Plug-Spark	1058	272262	Owner's Manual
			383	89838	Wrench-Spark Plug			
			523	495264	Dipstick			
			525	495265	Tube-Oil Fill			
			584	224328	Cover-Breather			
			585	★272238	Gasket-Breather			

★ Included in Gasket Set-Part Number 497316.
● Included in Carburetor Kit-See Ref. 121.

◆ Included in Carburetor Gasket Set-See Ref. 977.
◊ Included in Valve Overhaul Gasket Set-Part No. 498528.

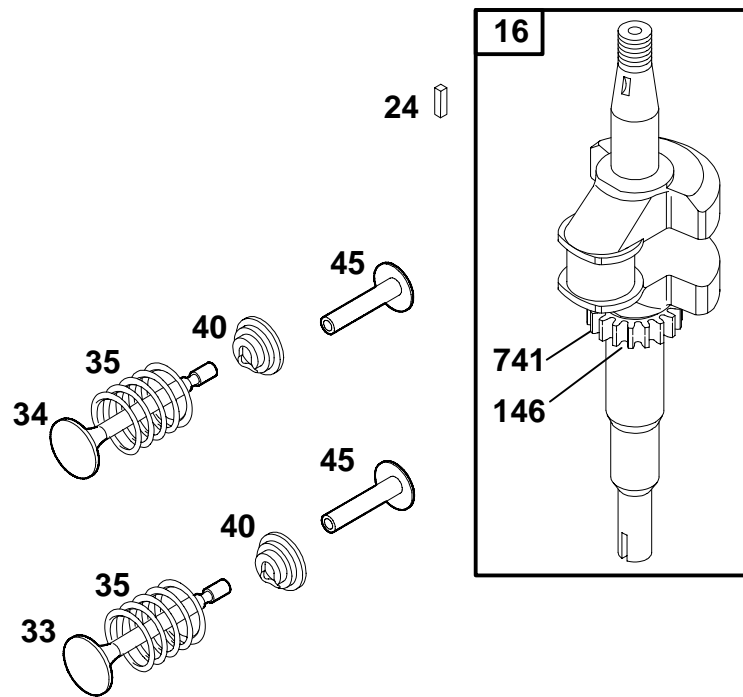


REF. NO.	PART NO.	DESCRIPTION	REF. NO.	PART NO.	DESCRIPTION	REF. NO.	PART NO.	DESCRIPTION
25	499429	Piston Assembly (Standard) (Used After Code Date 97011200). Note 493262 Piston Assy. (Standard) (Used Before Code Date 97011300). 499430 Piston Assy. (.010" O.S.) (Used After Code Date 97011200). 493385 Piston Assy. (.010" O.S.) (Used Before Code Date 97011300). 499431 Piston Assy. (.020" O.S.) (Used After Code Date 97011200). 493386 Piston Assy. (.020" O.S.) (Used Before Code Date 97011300). 499432 Piston Assy. (.030" O.S.) (Used After Code Date 97011200). 493387 Piston Assy. (.030" O.S.) (Used Before Code Date 97011300).	26	499425	Ring Set (Standard) (Used After Code Date 97011200). Note 493261 Ring Set (Standard) (Used Before Code Date 97011300). 499426 Ring Set (.010" O.S.) (Used After Code Date 97011200). 493388 Ring Set (.010" O.S.) (Used Before Code Date 97011300). 499427 Ring Set (.020" O.S.) (Used After Code Date 97011200). 493389 Ring Set (.020" O.S.) (Used Before Code Date 97011300). 499428 Ring Set (.030" O.S.) (Used After Code Date 97011200). 493390 Ring Set (.030" O.S.) (Used Before Code Date 97011300).	27	263190	Lock-Piston Pin (Used After Code Date 97011200). Note 26026 Lock-Piston Pin (Used Before Code Date 97011300). 28 499423 Pin-Piston (Standard) (Used After Code Date 97011200). Note 298909 Pin-Piston (Standard) (Used Before Code Date 97011300). 298908 Pin-Piston (.005" O.S.) (Used Before Code Date 97011300). 29 499424 Rod-Connecting (Standard) (Used After Code Date 97011200). Note 490566 Rod-Con. (Standard) (Used Before Code Date 97011300). 490743 Rod-Connecting (.020" Undersize) (Used Before Code Date 97011300). 32 94699 Screw-Connecting Rod

★ Included in Gasket Set-Part Number 497316.
● Included in Carburetor Kit-See Ref. 121.

◆ Included in Carburetor Gasket Set-See Ref. 977.
◊ Included in Valve Overhaul Gasket Set-Part No. 498528.

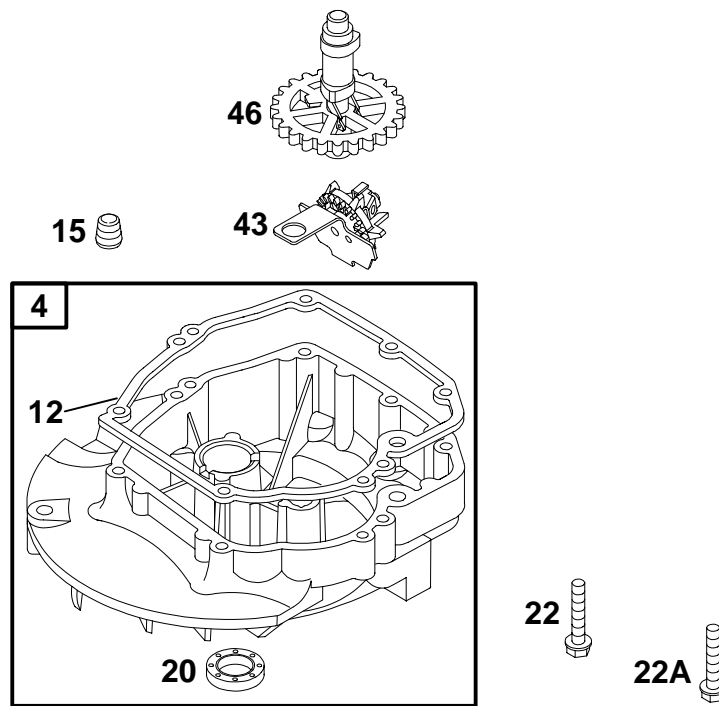
12A800 to 12A899



REF. NO.	PART NO.	DESCRIPTION	REF. NO.	PART NO.	DESCRIPTION	REF. NO.	PART NO.	DESCRIPTION
16	498566	Crankshaft (Used After Code Date 97011200). Note 493363 Crankshaft (Used Before Code Date 97011300). 498562 Crankshaft (Used After Code Date 97011200). Used on Type No(s). 0600, 0808, 1508. 493282 Crankshaft (Used Before Code Date 97011300). Used on Type No(s). 0100, 0508, 0600, 0808, 1508.		498565	Crankshaft (Used After Code Date 97011200). Used on Type No(s). 0814. 493362 Crankshaft (Used Before Code Date 97011300). Used on Type No(s). 0414, 0513, 0814. 498573 Crankshaft (Used After Code Date 97011200). Used on Type No(s). 0611, 0612. 494546 Crankshaft (Used Before Code Date 97011300). Used on Type No(s). 0512, 0611, 0612.		24	222698 Key-Flywheel
						33	262651	Valve-Exhaust
						34	262652	Valve-Intake
						35	262224	Spring-Valve
						40	93312	Retainer-Valve
						45	262204	Tappet-Valve
						146	94388	Key-Timing
						741	262598	Gear-Timing

★ Included in Gasket Set-Part Number 497316.
● Included in Carburetor Kit-See Ref. 121.

◆ Included in Carburetor Gasket Set-See Ref. 977.
◊ Included in Valve Overhaul Gasket Set-Part No. 498528.

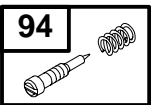
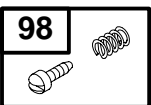
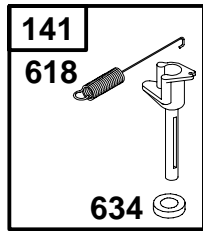


REF. NO.	PART NO.	DESCRIPTION	REF. NO.	PART NO.	DESCRIPTION	REF. NO.	PART NO.	DESCRIPTION
4	493279	Sump-Engine	22A	94612	Screw-Hex. (One Used in Hole Nearest Breather)	46	498275	Gear-Cam (Used After Code Date 96060200).
12	★272198	Gasket-Crankcase	43	493737	Gov/Oil Slinger	<p align="center">Note</p> <p>492830 Gear-Cam (Used Before Code Date 96060300).</p>		
15	94880	Plug-Oil Drain						
20	★399781	Seal-Oil						
22	94220	Screw-Hex.						

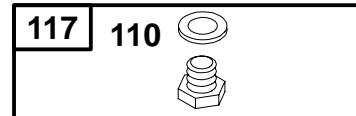
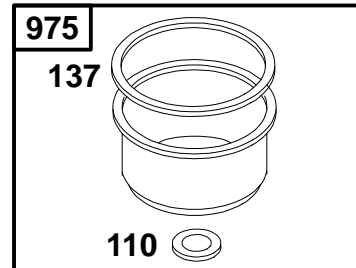
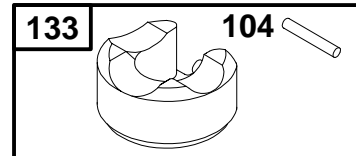
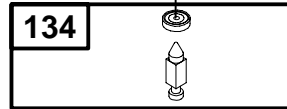
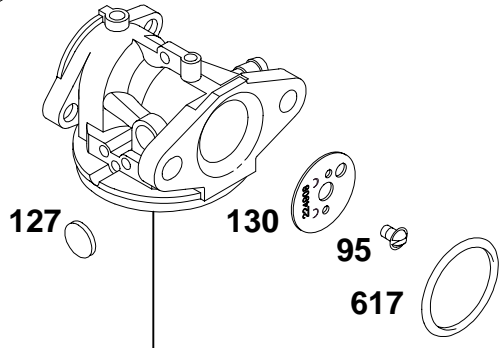
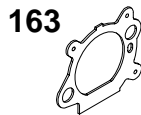
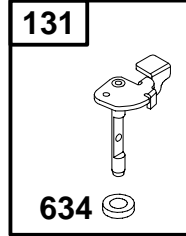
★ Included in Gasket Set-Part Number 497316.
● Included in Carburetor Kit-See Ref. 121.

◆ Included in Carburetor Gasket Set-See Ref. 977.
◊ Included in Valve Overhaul Gasket Set-Part No. 498528.

12A800 to 12A899



125

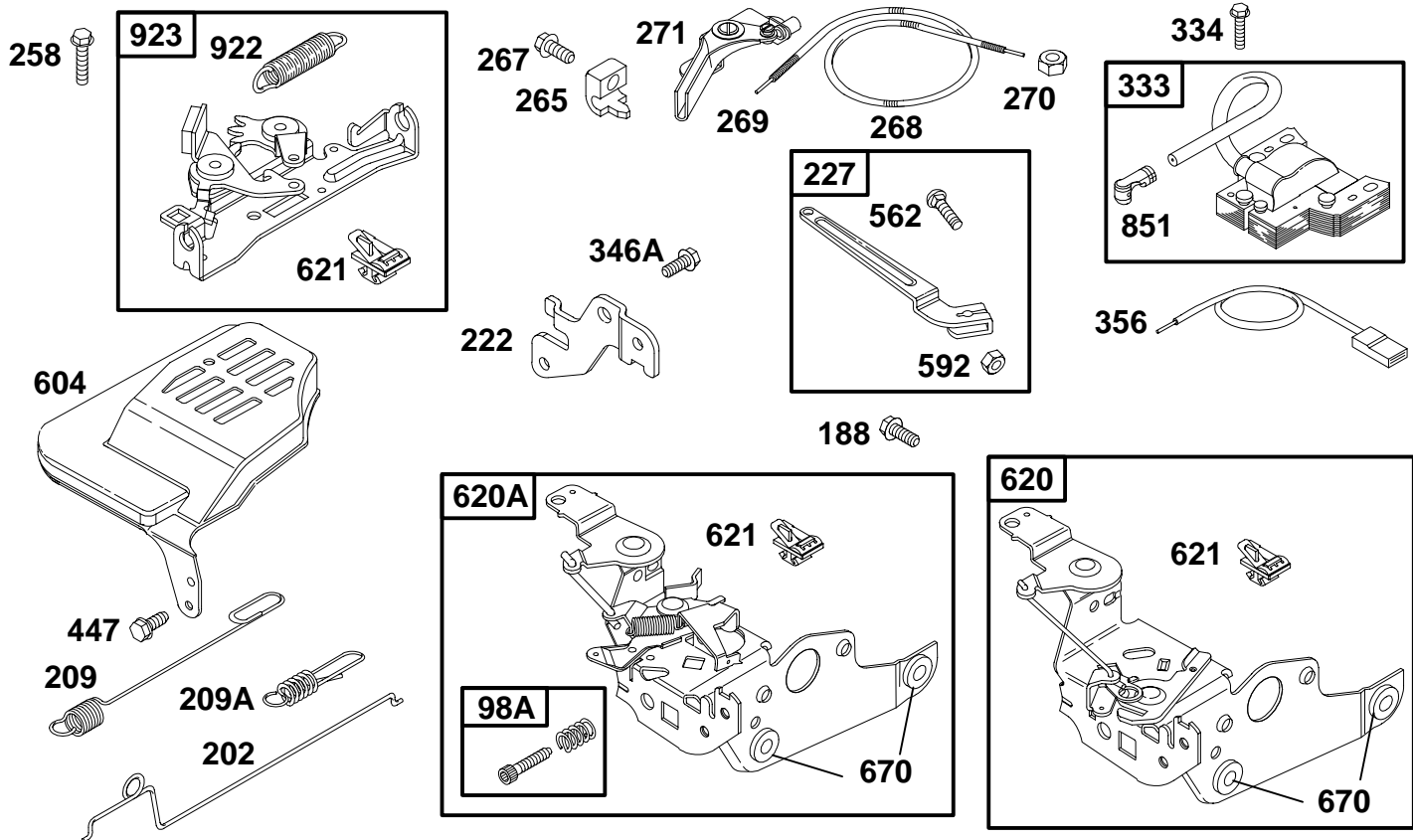


REF. NO.	PART NO.	DESCRIPTION	REF. NO.	PART NO.	DESCRIPTION	REF. NO.	PART NO.	DESCRIPTION
94	●493765	Kit-Idle Mixture Used on Type No(s). 0100, 0413, 0414, 0508, 0511, 0512, 0513, 0514.				127	●	Plug-Welch (Sold in Kit Only)
95	94098	Screw-Choke/Throttle			130	224908	Valve-Throttle ————— Note ————— 223470 Valve-Throttle Used on Type No(s). 0100, 0413, 0414, 0508, 0511, 0512, 0513, 0514.	
98	398185	Screw-Idle Speed Used on Type No(s). 0100, 0413, 0414, 0508, 0511, 0512, 0513, 0514.			131	493267	Shaft-Throttle	
104	●231371	Pin-Float Hinge			133	398187	Float-Carburetor Gasket-Bowl (Sold in Kit Only)	
110	◆◆	Washer (Sold in Kit Only)			137	◆◆	Gasket-Bowl (Sold in Kit Only)	
117	494870	Jet-Main (Standard) (Used After Code Date 95102900). ————— Note ————— 497315 Jet-Main (Standard) (Used Before Code Date 95103000). 493637 Jet-Main (Standard) Used on Type No(s). 0100, 0413, 0414, 0508, 0511, 0512, 0513, 0514.	124	94525	Screw-Hex.	141	494218	Shaft-Choke Used on Type No(s). 0512.
			125	498170	Carburetor (Used After Code Date 95102900). ————— Note ————— 497314 Carburetor (Used Before Code Date 95103000). 496114 Carburetor Used on Type No(s). 0100, 0413, 0414, 0508, 0511, 0512, 0513, 0514. 494217 Carburetor Used on Type No(s). 0512.	617	◆◆270344	Seal-Intake Manifold
						634	◆◆	Washer-Foam (Sold in Kit Only)
						618	262749	Spring-Choke
						975	493640	Bowl-Float

★ Included in Gasket Set-Part Number 497316.
● Included in Carburetor Kit-See Ref. 121.

◆ Included in Carburetor Gasket Set-See Ref. 977.
◇ Included in Valve Overhaul Gasket Set-Part No. 498528.

12A800 to 12A899

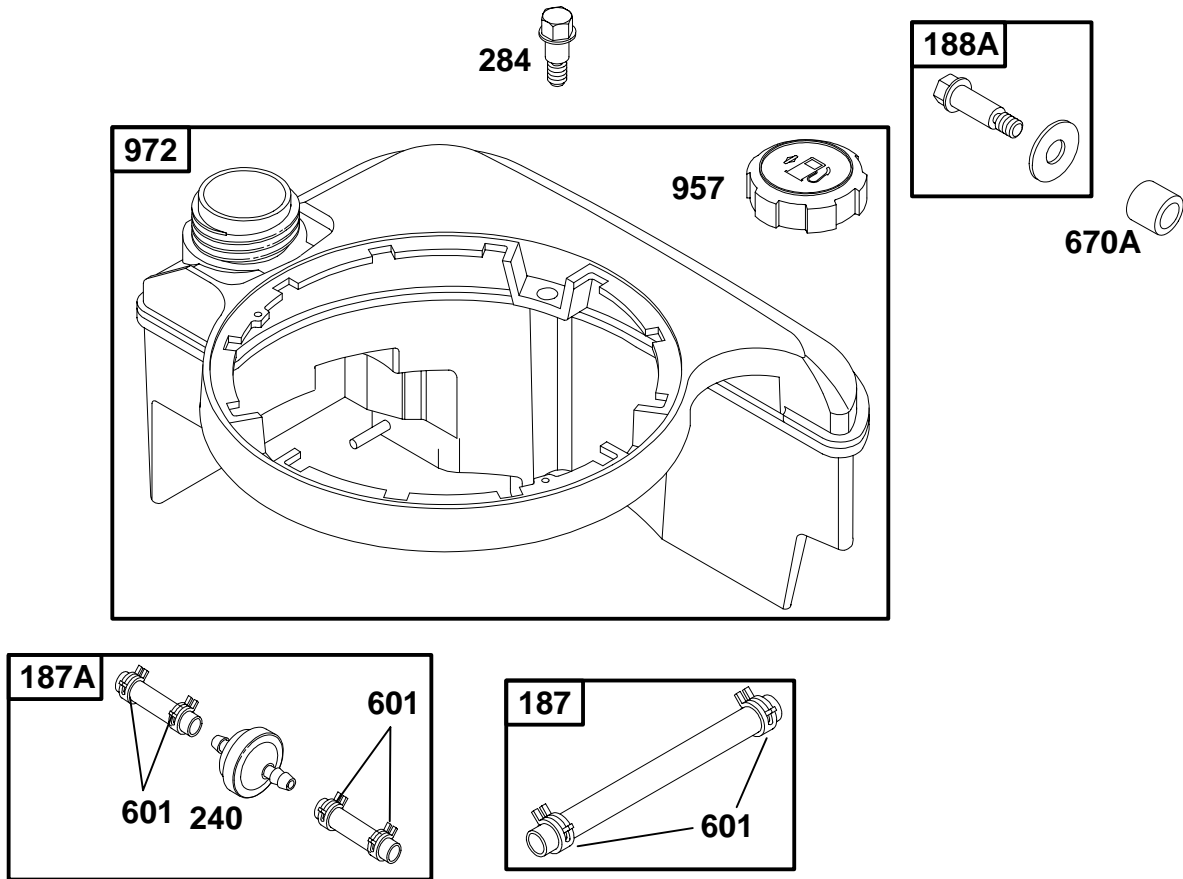


REF. NO.	PART NO.	DESCRIPTION	REF. NO.	PART NO.	DESCRIPTION	REF. NO.	PART NO.	DESCRIPTION
98A	493280	Screw—Speed Adj.	222	225152	Bracket—Control	447	93801	Screw—Hex.
188	94644	Screw—Hex.	227	492349	Lever—Governor	562	94852	Bolt—Governor Lever
202	262579	Link—Mechanical Governor	258	94512	Screw—Slotted Hex.	592	231082	Nut—Hex.
209	263044	Spring—Governor (Used After Code Date 95040400).	265	213146	Clamp—Casing	604	225103	Cover—Control
		Note	267	94882	Screw—Slotted Hex.	620	497203	Bracket—Control
		263043 Spring—Gov. (Used Before Code Date 95040500). Used on Type No(s). 0600, 0688, 0813, 0814, 1508, 1514.	268	66986	Casing—Wire (Cut to Required Length)	620A	495975	Bracket—Control
		263046 Spring—Gov. Used on Type No(s). 0611, 0612, 0808.			Note	621	396847	Switch—Stop
209A	262659	Spring—Governor (Used on Type No(s). 0100, 0508, 0511, 0513, 0514.			65616 Casing—Wire (Cut to Required Length)	670	★493823	Spacer (Includes 2)
		262660 Spring—Gov. Used on Type No(s). 0413, 0414.	269	26099	Wire—Control (Cut to Required Length)	851	493880	Terminal—Cable
		262661 Spring—Gov. Used on Type No(s). 0512.			Note	922	262640	Spring—Brake
			270	63426	Locknut—Casing	923	493442	Brake
			271	290568	Lever—Control			
			333	802574	Armature—Magneto			
			334	94731	Screw—Hex.			
			346A	94874	Screw—Hex.			
			356	497833	Wire—Stop			

★ Included in Gasket Set—Part Number 497316.
 ● Included in Carburetor Kit—See Ref. 121.

◆ Included in Carburetor Gasket Set—See Ref. 977.
 ◊ Included in Valve Overhaul Gasket Set—Part No. 498528.

12A800 to 12A899

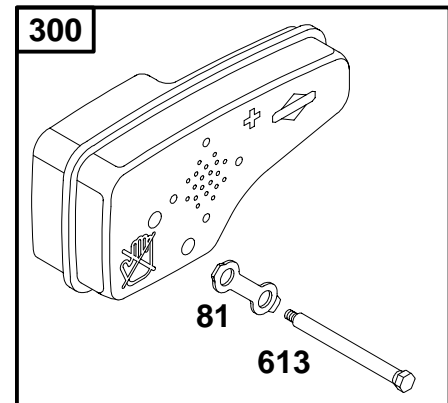
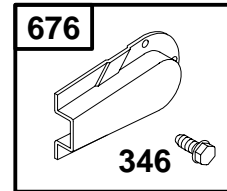
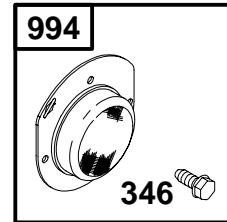
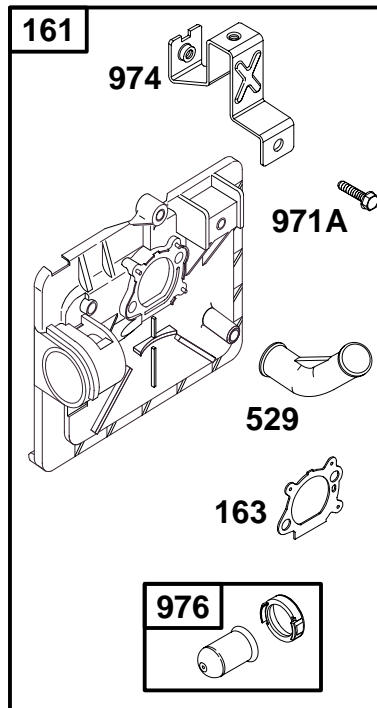
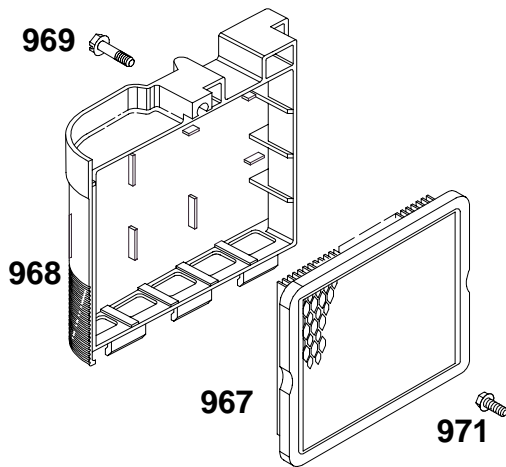


REF. NO.	PART NO.	DESCRIPTION	REF. NO.	PART NO.	DESCRIPTION	REF. NO.	PART NO.	DESCRIPTION
187	492790	Line-Fuel	240	298090	Filter-Fuel	670A	280512	Spacer-Fuel Tank
187A	498171	Line-Fuel	284	94511	Screw-Shoulder	957	397974	Cap-Fuel Tank
188A	398540	Screw-Shoulder	601	93053	Clamp-Hose	972	495224	Tank-Fuel

★ Included in Gasket Set-Part Number 497316.
 ● Included in Carburetor Kit-See Ref. 121.

◆ Included in Carburetor Gasket Set-See Ref. 977.
 ∅ Included in Valve Overhaul Gasket Set-Part No. 498528.

12A800 to 12A899

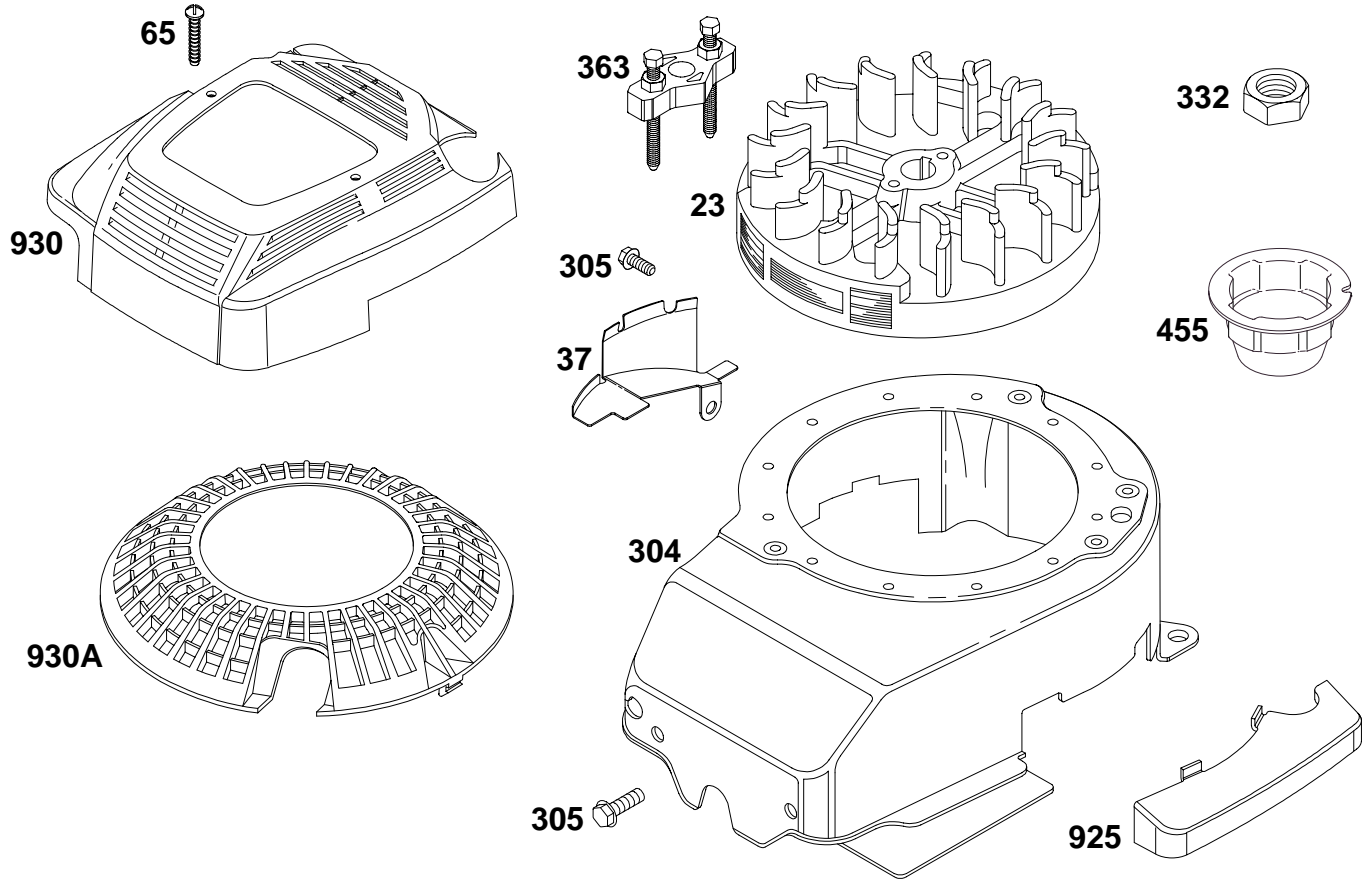


REF. NO.	PART NO.	DESCRIPTION	REF. NO.	PART NO.	DESCRIPTION	REF. NO.	PART NO.	DESCRIPTION
81	223664	Lock-Muffler Screw	613	94231	Screw-Shoulder	971	94873	Screw-Hex.
161	496116	Base-Air Cleaner	676	493871	Deflector-Muffler	971A	94749	Screw-Hex.
163★◆	272653	Gasket-Air Cleaner	967	491588	Filter-Air	974	224815	Bracket-Support
300	496106	Muffler-Exhaust	968	281340	Cover-Air Cleaner	976	496115	Primer-Carburetor
346	94896	Screw-Hex.	969	94872	Screw-Slotted Hex.	994	398067	Arrester-Spark
529	281299	Grommet						

★ Included in Gasket Set-Part Number 497316.
 ● Included in Carburetor Kit-See Ref. 121.

◆ Included in Carburetor Gasket Set-See Ref. 977.
 ◊ Included in Valve Overhaul Gasket Set-Part No. 498528.

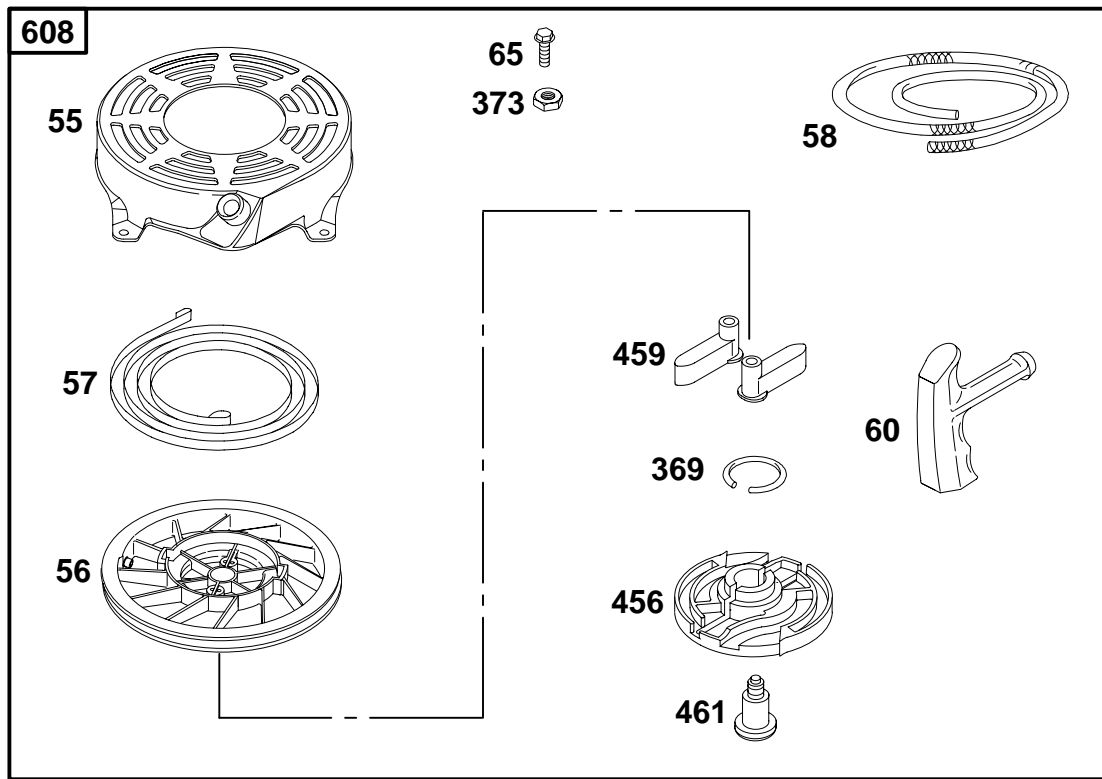
12A800 to 12A899



REF. NO.	PART NO.	DESCRIPTION	REF. NO.	PART NO.	DESCRIPTION	REF. NO.	PART NO.	DESCRIPTION
23	492177	Flywheel	305	94744	Screw-Hex.	925	281145	Cover-Linkage
37	224511	Guard-Flywheel	332	92284	Nut-Flywheel	930	497233	Cover-Blower Housing
65	94696	Screw-Phillips	363	19069	Flywheel Puller	930A	281136	Guard-Rewind
304	493293	Housing-Blower	455	225121	Cup-Flywheel			

★ Included in Gasket Set-Part Number 497316.
 ● Included in Carburetor Kit-See Ref. 121.

◆ Included in Carburetor Gasket Set-See Ref. 977.
 ∅ Included in Valve Overhaul Gasket Set-Part No. 498528.

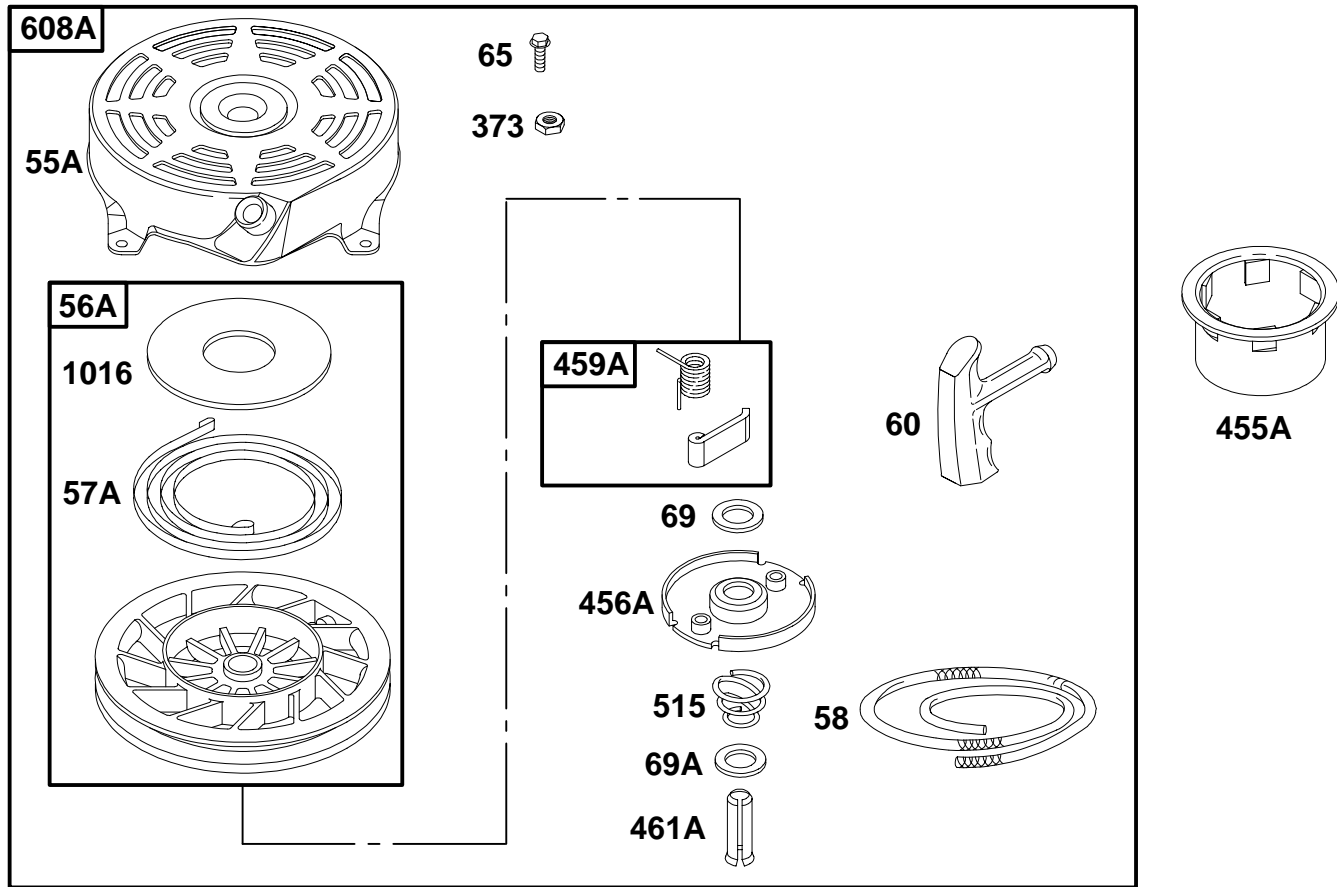


REF. NO.	PART NO.	DESCRIPTION	REF. NO.	PART NO.	DESCRIPTION	REF. NO.	PART NO.	DESCRIPTION
55	497440	Housing-Rewind Starter	58	280399	Rope-Starter (Cut To Required Length)	373	92987	Nut-Hex.
56	281504	Pulley-Starter	60	281434	Grip-Starter Rope	456	281503	Plate-Pawl Friction
57	263074	Spring-Rewind Starter	65	94686	Screw-Hex.	459	281505	Pawl-Ratchet
			369	263073	Spring-Friction	461	94943	Screw-Shoulder
						608	497680	Starter-Rewind

★ Included in Gasket Set-Part Number 497316.
 ● Included in Carburetor Kit-See Ref. 121.

◆ Included in Carburetor Gasket Set-See Ref. 977.
 ∅ Included in Valve Overhaul Gasket Set-Part No. 498528.

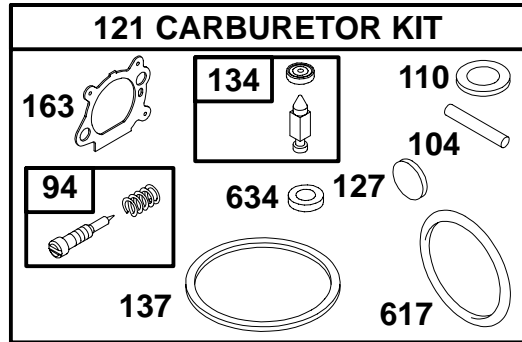
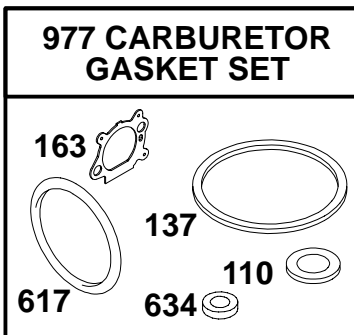
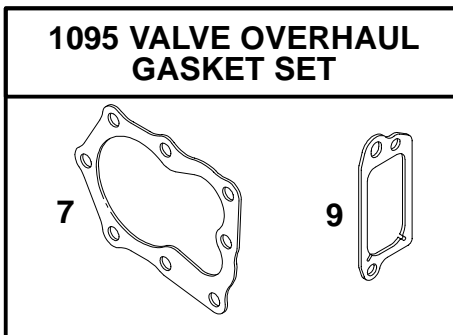
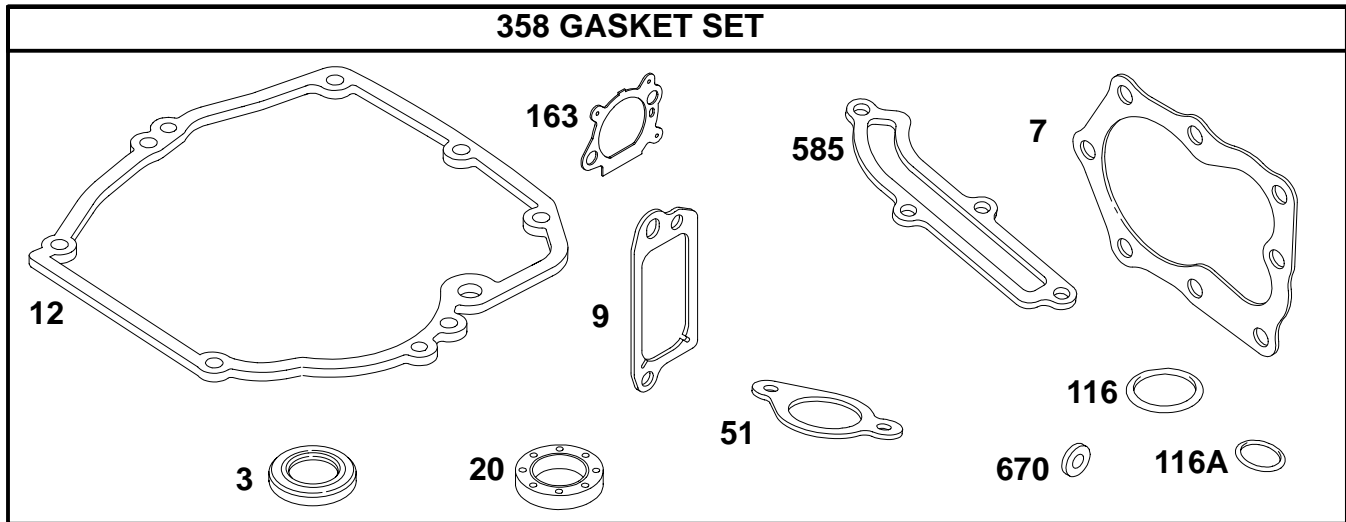
12A800 to 12A899



REF. NO.	PART NO.	DESCRIPTION	REF. NO.	PART NO.	DESCRIPTION	REF. NO.	PART NO.	DESCRIPTION
55A	492831	Housing-Rewind Starter	60	281434	Grip-Starter Rope	459A	492833	Pawl-Ratchet
56A	493824	Pulley-Starter	65	94686	Screw-Hex.	461A	262626	Pin-Shaft
57A	262594	Spring-Rewind Starter	69	280973	Washer-Seal	515	262625	Spring-Friction
58	280399	Rope-Starter (Cut To Required Length)	69A	224322	Washer	608A	497598	Starter-Rewind
			373	92987	Nut-Hex.			Include(s):
			455A	224250	Cup-Flywheel			225121 Cup-Flywheel
			456A	224321	Retainer-Spring	1016	224278	Spacer-Rewind

★ Included in Gasket Set-Part Number 497316.
 ● Included in Carburetor Kit-See Ref. 121.

◆ Included in Carburetor Gasket Set-See Ref. 977.
 ∅ Included in Valve Overhaul Gasket Set-Part No. 498528.



REF. NO.	PART NO.	DESCRIPTION	REF. NO.	PART NO.	DESCRIPTION	REF. NO.	PART NO.	DESCRIPTION
3	★299819	Seal-Oil	104	●231371	Pin-Float Hinge	358	497316	Gasket Set
7	★0272916	Gasket-Cylinder Head (Used After Code Date 96060200). ———— Note ——— ★0272200 Gasket-Cylinder Head (Used Before Code Date 96060300).	110	●◆	Washer-Bowl (Sold in Kit Only)	585	★272238	Gasket-Breather Passage
9	★0272481	Gasket-Breather	116	★280393	Seal-O-Ring	617	●◆270344	Seal-Intake Manifold
12	★272198	Gasket-Crankcase	116A	★280966	Seal-O-Ring	634	●◆	Washer-Foam (Sold in Kit Only)
20	★399781	Seal-Oil	121	498260	Carburetor Kit (Used After Code Date 95110200). ———— Note ——— 493762 Carburetor Kit (Used Before Code Date 95110300).	670	★493823	Spacer (Includes 2)
51	★272199	Gasket-Intake	127	●	Plug-Welch (Sold in Kit Only)	977	498261	Gasket Set-Carburetor (Used After Code Date 95110200). ———— Note ——— 490937 Gasket Set-Carburetor (Used Before Code Date 95110300).
94	●493765	Kit-Idle Mixture Used on Type No(s). 0100, 0413, 0414, 0508, 0511, 0512, 0513, 0514.	134	●398188	Valve-Needle (Includes Seat)	1095	498528	Gasket Set-Valve Overhaul
			137	●◆	Gasket-Float Bowl (Sold in Kit Only)			
			163	●◆272653	Gasket-Air Cleaner			

★ Included in Gasket Set-Part Number 497316.
● Included in Carburetor Kit-See Ref. 121.

◆ Included in Carburetor Gasket Set-See Ref. 977.
◊ Included in Valve Overhaul Gasket Set-Part No. 498528.