

Illustrated Parts List

Industrial/Commercial

Model Series

125700 to 125799

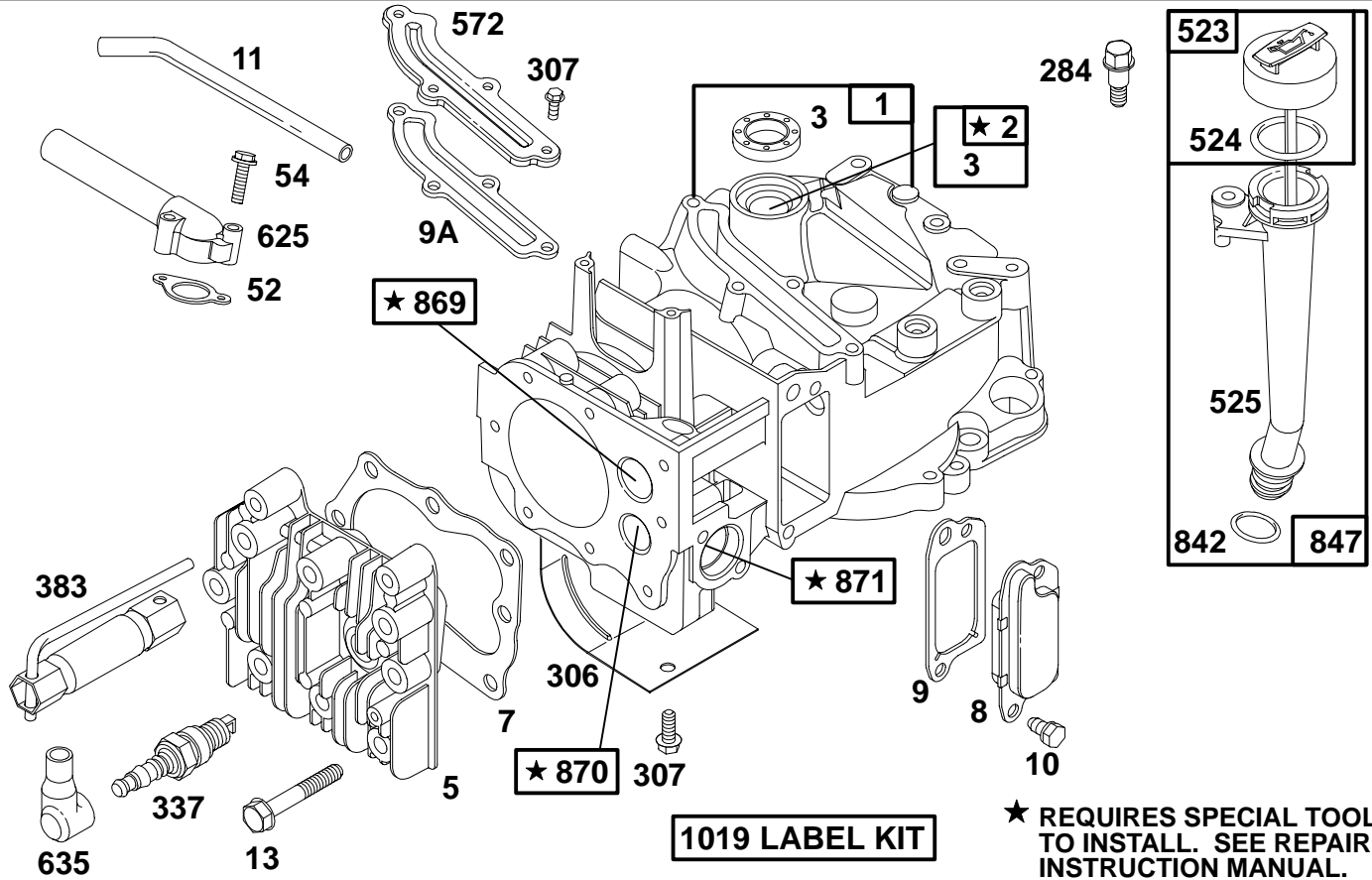
Non-Compliance

TYPE NUMBERS
0101,
0112 through 0115,
4001.

Compliance

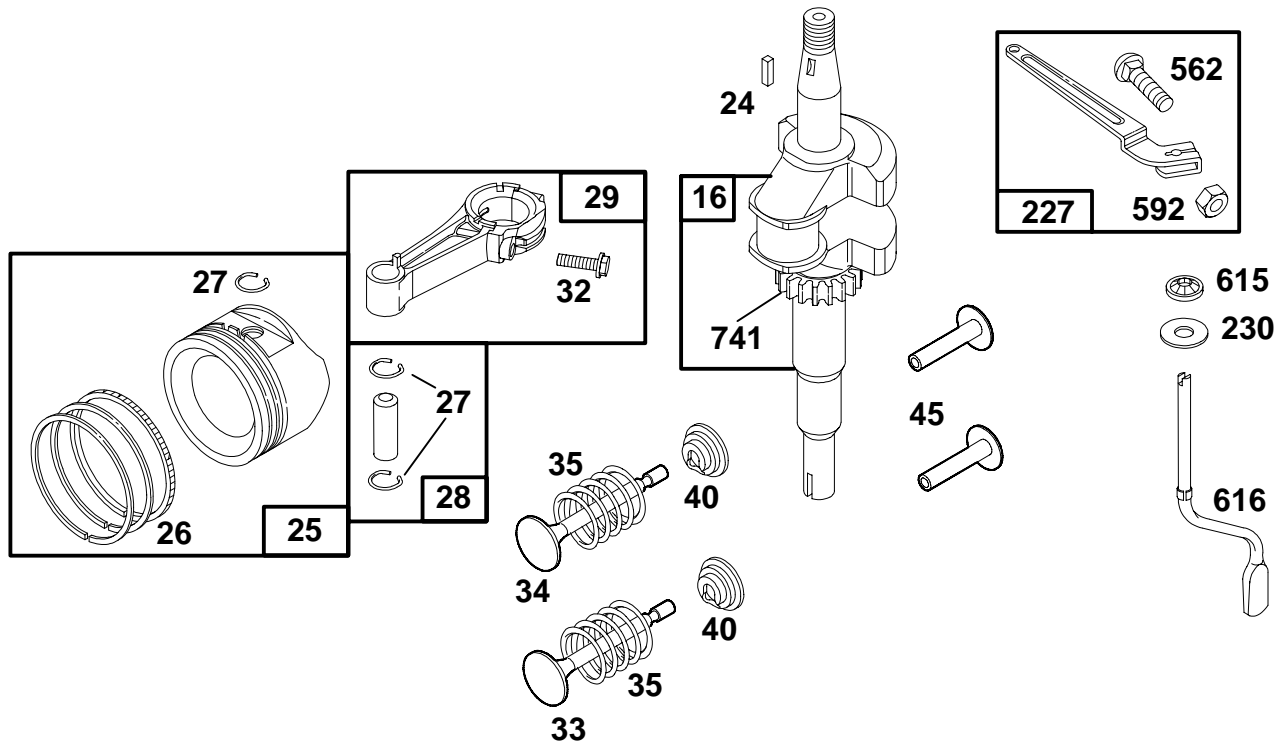
TYPE NUMBER
3101.) (E16,0,0,,5,0.125,1,0.0533333,1,15,0,0,1,0,0,0,1,5,127,7,0,0,7,0,0,1,0.0625,0.0 625,4,4,0,0.0666667,6))>

125700 to 125799



| REF. NO. | PART NO. | DESCRIPTION | REF. NO. | PART NO. | DESCRIPTION | REF. NO. | PART NO. | DESCRIPTION | |
|----------|----------|-----------------------------|----------|----------|------------------------------|-------------------------------------|----------|-------------------------------|------------------------------------|
| 1 | 494062 | Cylinder Assembly | 307 | 94515 | Screw-Hex. Head | 525 | 493952 | Tube-Oil Filler | |
| 2 | 399269 | Bushing-Cylinder | 337 | 298809 | Plug-Spark (With Gasket) | 572 | 224328 | Baffle-Cylinder | |
| 3 | ★299819 | Seal-Oil | | | Note | 625 | 492717 | Tube-Fuel Intake | |
| 5 | 213861 | Head-Cylinder | | | 293918 | Plug-Spark (Resistor Type) | 635 | 66538 | Elbow-Spark Plug |
| 7 | ★272200 | Gasket-Cylinder Hd. | | | (1-1/2" High, 38 mm.) | 842 | ★280966 | Seal-O-Ring | |
| 8 | 399717 | Breather-Valve Chamber | | | 492167 | Plug-Spark (1-7/8" High, 48 mm.) | 847 | 493459 | Dipstick and Tube Assy.-Oil Filler |
| 9 | ★271904 | Gasket-Valve Cover | | | 802592 | Plug-Spark (Resistor Type) | 869 | 213512 | Seat-Intake Valve (Standard) |
| 9A | ★272238 | Gasket-Baffle Plate | | | (1-7/8" High, 48 mm.) | 870 | 213513 | Seat-Exhaust Valve (Standard) | |
| 10 | 94222 | Screw-Breather Mtg. | | | (1-7/8" High, 48 mm.) | 871 | 262001 | Guide-Exhaust Valve | |
| 11 | 231685 | Tube-Breather | 383 | 89838 | Wrench-Spark Plug | | | Note | |
| 13 | 94547 | Screw-Cylinder Hd. | 523 | 493950 | Cap With Dipstick-Oil Filler | | | 63709 | Guide-Intake Valve |
| 52 | ★272199 | Gasket-Intake Elbow | 524 | ★280393 | Seal-Filler Tube | 1019 | 494256 | Label Kit | |
| 54 | 94526 | Screw-Intake Elbow Mounting | | | | | | | |
| 284 | 94511 | Screw-Hex. Head | | | | | | | |
| 306 | 224324 | Shield-Cylinder | | | | | | | |

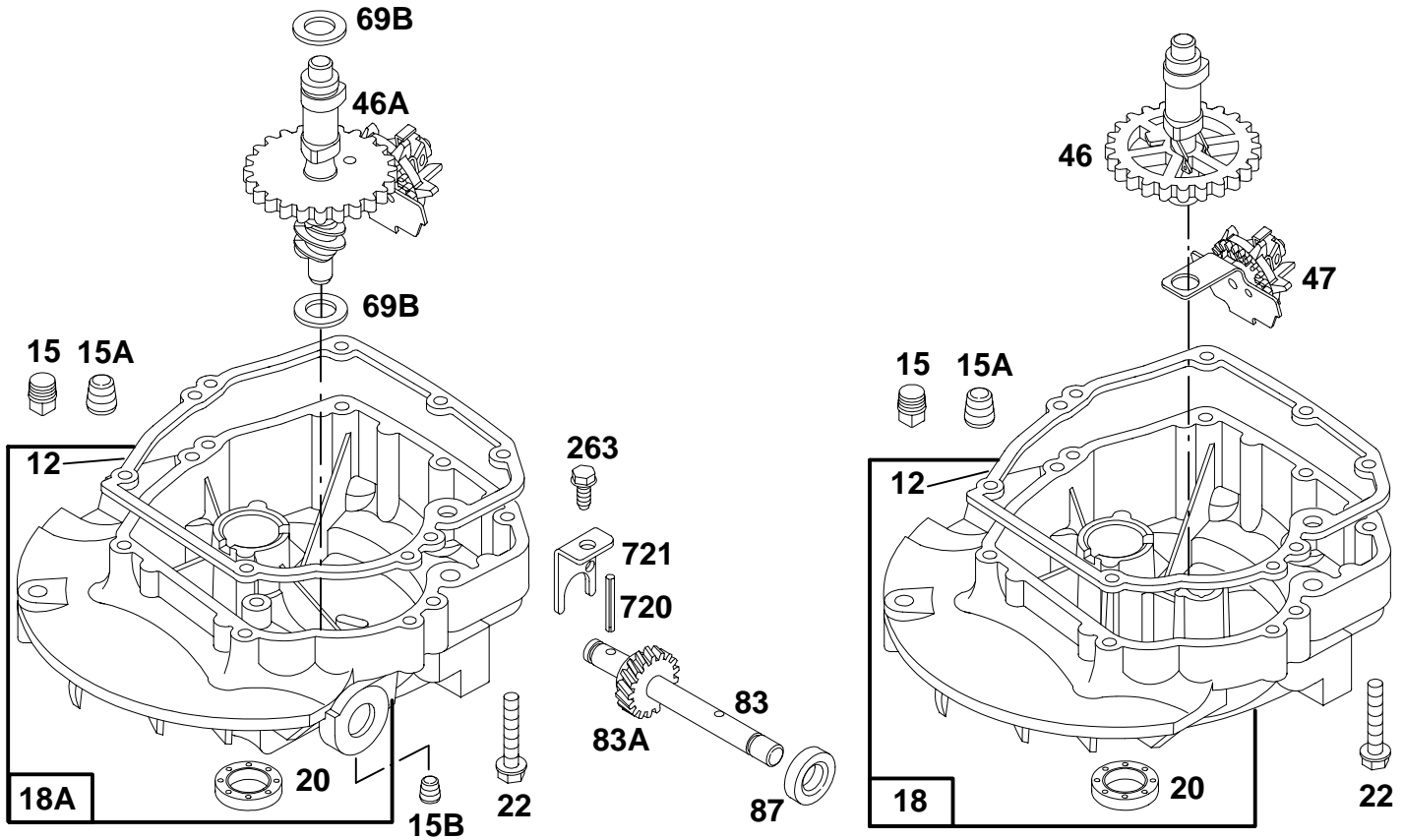
- ★ Included in Gasket Set-Part No. 493263
- Included in Carburetor Overhaul Kit-See Ref. 121.
- ◆ Included in Carburetor Gasket Set-Part No. 490937.



| REF. NO. | PART NO. | DESCRIPTION | REF. NO. | PART NO. | DESCRIPTION | REF. NO. | PART NO. | DESCRIPTION |
|----------|----------|--|----------|----------|--|----------|----------|---|
| 16 | 493282 | Crankshaft _____ Note _____ For Timing Gear Key— Order Part No. 94388. 493362 Crankshaft Used on Type No(s). 0113, 0114, 4001. 493363 Crankshaft Used on Type No(s). 0112, 0115. | 26 | 493261 | Ring Set—Piston (Standard) 493388 Ring Set— Piston (.010" O.S.) 493389 Ring Set— Piston (.020" O.S.) 493390 Ring Set— Piston (.030" O.S.) | | | 490743 Rod Assy.— Connecting (.020" Undersize) |
| 24 | 222698 | Key—Flywheel | 27 | 26026 | Lock—Piston Pin | 32 | 94405 | Screw—Connecting Rod |
| 25 | 494058 | Piston Assy. (Standard) 494059 Piston Assy. (.010" O.S.) 494060 Piston Assy. (.020" O.S.) 494061 Piston Assy. (.030" O.S.) | 28 | 298909 | Pin Assy.—Piston (Standard) 298908 Pin Assy.— Piston (.005" O.S.) | 33 | 262651 | Valve—Exhaust |
| | | | 29 | 490566 | Rod Assy.—Connecting (Standard) | 34 | 262652 | Valve—Intake |
| | | | | | | 35 | 262224 | Spring—Valve |
| | | | | | | 40 | 93312 | Retainer—Valve Spring |
| | | | | | | 45 | 262204 | Tappet—Valve |
| | | | | | | 227 | 492349 | Lever Assembly— Governor |
| | | | | | | 230 | 67072 | Washer—Gov. Crank |
| | | | | | | 562 | 92613 | Bolt—Governor Lever |
| | | | | | | 592 | 231082 | Nut—Hex. |
| | | | | | | 615 | 94474 | Pushnut (Governor Crank) |
| | | | | | | 616 | 262578 | Crank—Governor |
| | | | | | | 741 | 262598 | Gear—Timing |

★ Included in Gasket Set—Part No. 493263
 ● Included in Carburetor Overhaul Kit—See Ref. 121.
 ◆ Included in Carburetor Gasket Set—Part No. 490937.

125700 to 125799



| REF. NO. | PART NO. | DESCRIPTION | REF. NO. | PART NO. | DESCRIPTION | REF. NO. | PART NO. | DESCRIPTION | |
|----------|----------|---|----------|----------|---|--|----------|-----------------------------|-------------|
| 12 | ★272198 | Gasket-Crankcase | | | <p align="center">Note</p> <p>94612 Screw-Sump Mounting Sem One Used in Hole Nearest Breather.</p> | 69B | 68938 | Washer-Thrust | |
| 15 | 94239 | Plug-Oil Drain | 46 | 492830 | | Gear-Cam | 83 | 231748 | Shaft-Drive |
| 15A | 93418 | Plug-Oil Drain | 46A | 493738 | | Cam Gear, Worm and Oil Slinger Assembly (Counterclockwise) | 83A | 231278 | Gear-Drive |
| 15B | 94470 | Plug-Oil Drain (Hex. Socket, 1/16-27 NPT) | | | | 87 | 391484 | Screw-Hex. Head, Shaft-Stop | |
| 18 | 493279 | Sump-Engine | | | | 263 | 93801 | Screw-Hex. Head, Shaft-Stop | |
| 18A | 493365 | Sump-Engine | | | | 720 | 93474 | Pin-Roll | |
| 20 | ★399781 | Seal-Oil | | | | 721 | 224249 | Stop-Shaft | |
| 22 | 94220 | Screw-Sump Mounting Sem | | | | | | | |

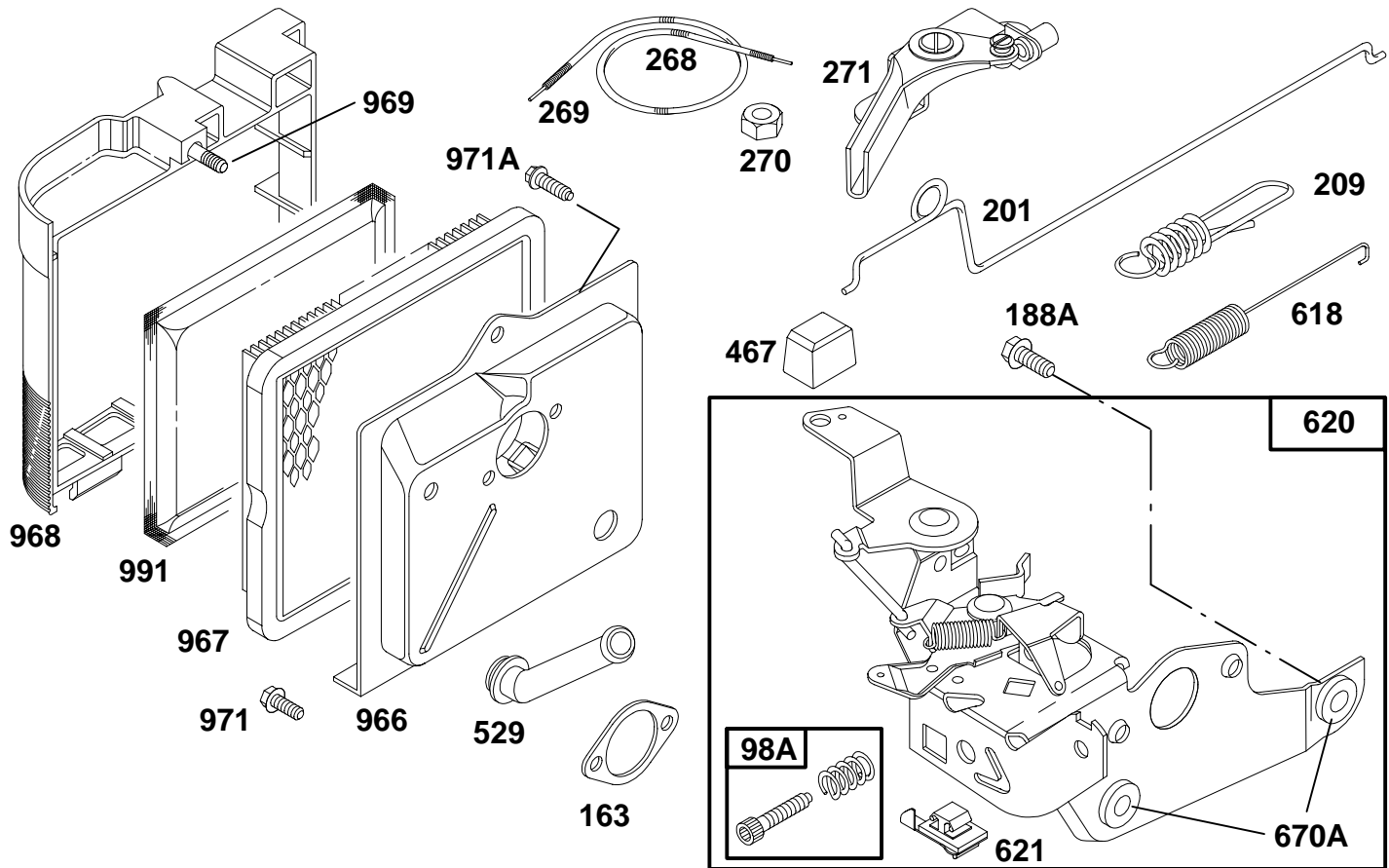
- ★ Included in Gasket Set-Part No. 493263
- Included in Carburetor Overhaul Kit-See Ref. 121.
- ◆ Included in Carburetor Gasket Set-Part No. 490937.

2162-4

Assemblies include all parts shown in frames.

112

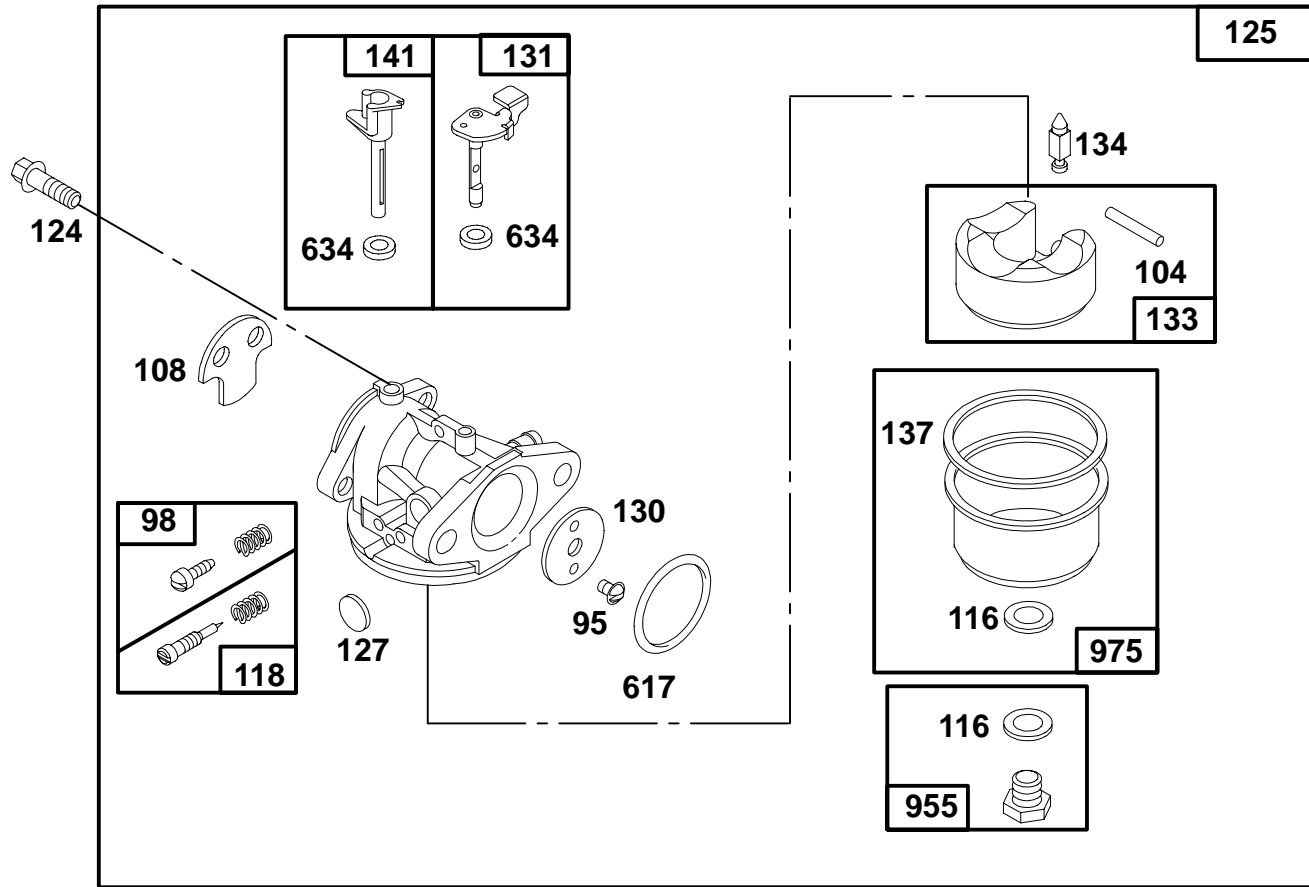
125700 to 125799



| REF. NO. | PART NO. | DESCRIPTION | REF. NO. | PART NO. | DESCRIPTION | REF. NO. | PART NO. | DESCRIPTION | | |
|----------|----------|--|----------|----------|--|----------|----------|---|--|----------------------------|
| 98A | 493280 | Screw Assy.—Speed Adjust | | | | | | 260870 Spring—Choke Return (Used Before Code Date 90060400). | | |
| 163 | ★272296 | Gasket—Air Cleaner | | | If Longer Casing is Needed, Specify Length in Inches; if Shorter Casing is Needed, Order and Cut to Required Length. | 620 | 493894 | Bracket Assembly—Carburetor Control (Remote Control) | | |
| 188A | 94644 | Screw—Hex. Head | | | | | | Note | | |
| 201 | 262579 | Link—Governor | | | | | | 493895 Bracket Assy.—Carburetor Control (Manual Friction Control) | | |
| 209 | 262658 | Spring—Governor Used on Type No(s). 0112. | 269 | 26099 | Wire Control (54" Long) | | | Used on Type No(s). 0114, 4001. | | |
| | | Note | | | | | | | | |
| | | 262654 Spring—Gov. Used on Type No(s). 0113. | | | | | | | | |
| | | 262655 Spring—Gov. Used on Type No(s). 0114, 4001. | 270 | 63426 | Locknut—Control Wire Casing | | 621 | 396847 | Switch—Stop | |
| | | 262661 Spring—Gov. Used on Type No(s). 0101, 3101. | | | | | 670A | 493823 | Spacer—Carburetor Bracket (Includes 2) | |
| | | 262665 Spring—Gov. Used on Type No(s). 0115. | 271 | 290568 | Lever Assy.—Control | | | 966 | 492363 | Base—Air Cleaner |
| | | | 467 | 280857 | Knob—Slide Control | | | 967 | 491588 | Filter—Air |
| | | | 529 | 280943 | Grommet—Breather | | | 968 | 281069 | Cover—Air Cleaner |
| 268 | 66986 | Casing—Control Wire (48" Long) | 618 | 262749 | Spring—Choke Return (Used After Code Date 90060300). | | | 969 | 94120 | Screw—Cover Mtg. |
| | | Note | | | | | | 971 | 94269 | Screw—Air Cleaner |
| | | | | | | | | 971A | 94121 | Screw (Base to Carburetor) |
| | | | | | | | | 991 | 493537 | Pre-Filter Assembly |

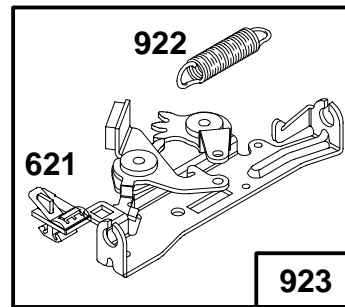
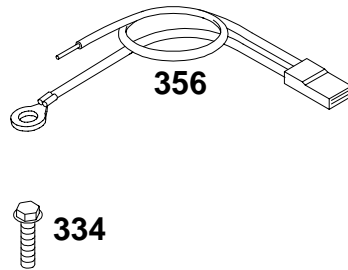
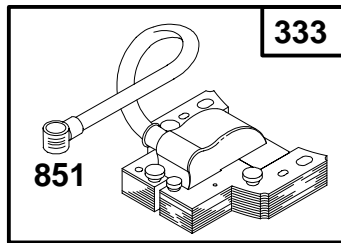
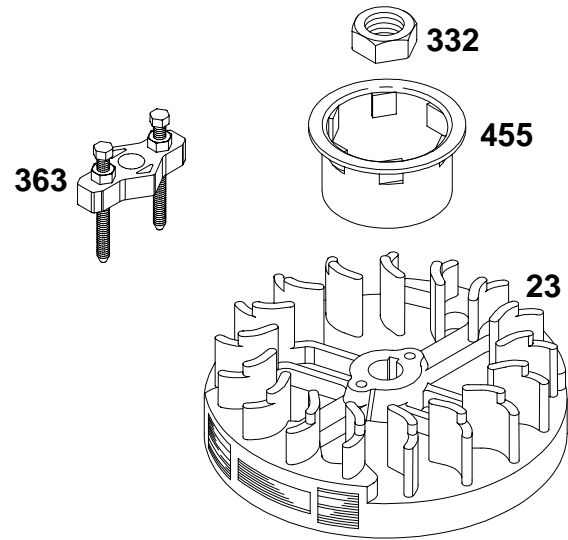
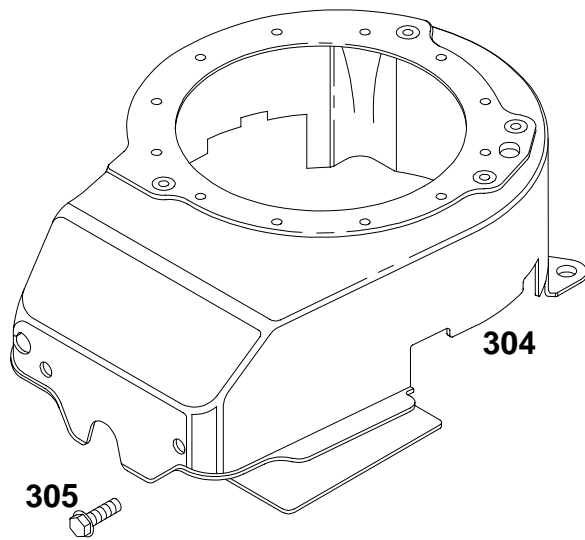
- ★ Included in Gasket Set—Part No. 493263
- Included in Carburetor Overhaul Kit—See Ref. 121.
- ◆ Included in Carburetor Gasket Set—Part No. 490937.

125700 to 125799



| REF. NO. | PART NO. | DESCRIPTION | REF. NO. | PART NO. | DESCRIPTION | REF. NO. | PART NO. | DESCRIPTION |
|----------|----------|--|----------|----------|---|---|----------|--|
| 95 | 94098 | Screw—Throttle Valve Mounting | 125 | 494217 | Carburetor Assembly | 617 | ♦♦270344 | Seal—Fuel Intake Tube |
| 98 | 398185 | Screw—Idle Adjustment | 127 | • | Plug—Welch (Sold in Kit Only) | 634 | ♦♦ | Washer—Shaft (Sold in Kit Only) |
| 104 | ♦231371 | Pin—Float Hinge | 130 | 223470 | Valve—Throttle | 955 | 493869 | Screw—Bowl Mtg. |
| 108 | 223471 | Valve—Choke | 131 | 493267 | Shaft and Lever—Throttle | ———— Note ———— | | |
| 116 | ♦♦ | Gasket—Sealing (Sold in Kit Only) | 133 | 398187 | Float Assy.—Carburetor | 493763 | | Screw—Bowl Mtg. (For High Altitude) (Used After Code Date 90060300). |
| 118 | ♦493765 | Valve and Spring—Needle (Used After Code Date 90060300). | 134 | ♦398188 | Valve—Inlet (Includes Seat) | 975 | 493640 | Bowl Assy.—Carburetor (Used After Code Date 90060300). |
| | | ———— Note ———— | 137 | ♦♦ | Gasket—Bowl (Sold in Kit Only) | ———— Note ———— | | |
| | | ♦492945 Valve and Spring—Needle (Used Before Code Date 90060400). | 141 | 494218 | Shaft—Choke (Used After Code Date 90060300). | 398191 Bowl Assy.—Carburetor (Used Before Code Date 90060400). | | |
| 124 | 94525 | Screw—Carburetor Mtg. | | | ———— Note ———— | | | |
| | | | | | 493266 Shaft—Choke (Used Before Code Date 90060400). | | | |

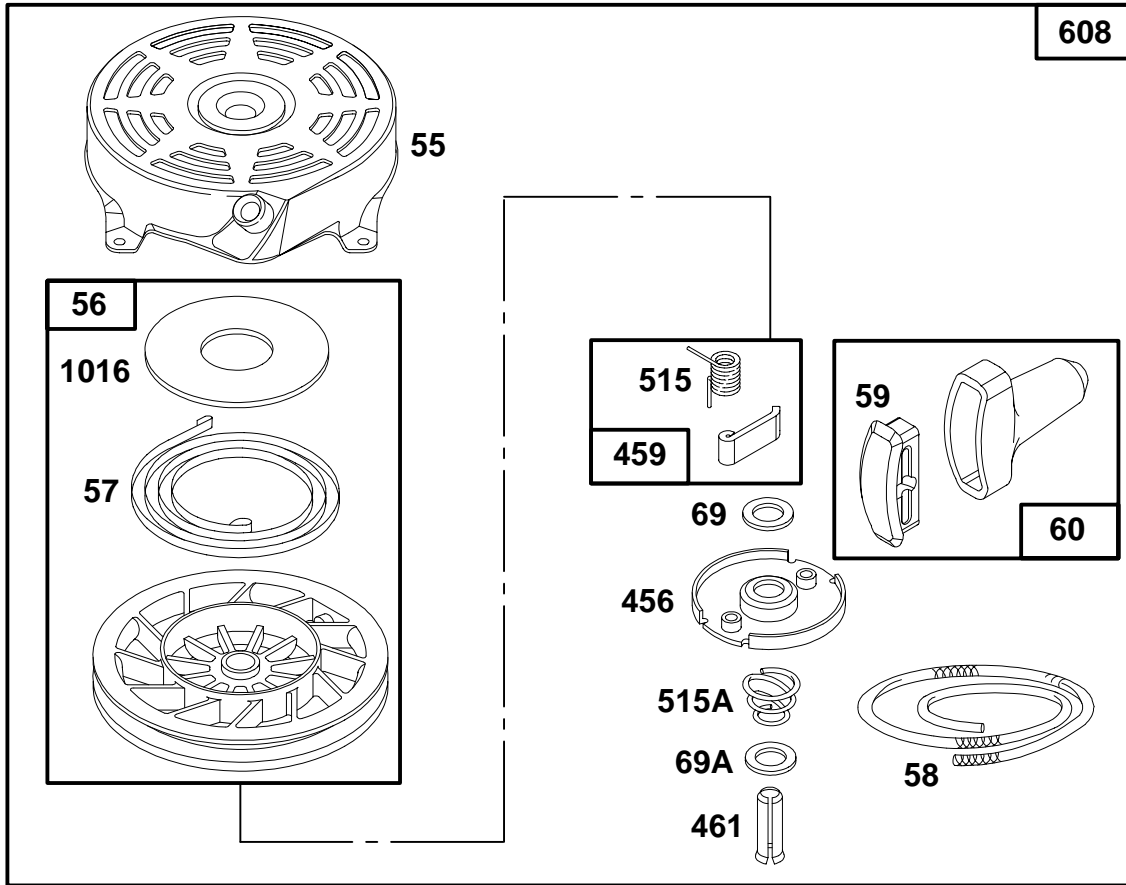
★ Included in Gasket Set—Part No. 493263
 ● Included in Carburetor Overhaul Kit—See Ref. 121.
 ♦ Included in Carburetor Gasket Set—Part No. 490937.



| REF. NO. | PART NO. | DESCRIPTION | REF. NO. | PART NO. | DESCRIPTION | REF. NO. | PART NO. | DESCRIPTION |
|----------|----------|-------------------------------------|----------|----------|-------------------------|----------|----------|-------------------------|
| 23 | 492177 | Flywheel-Magneto | | | ————— Note ————— | 356 | 398808 | Wire-Ground |
| | | ————— Note ————— | | | 493293 | | 19069 | Puller-Flywheel |
| | 492893 | Flywheel-Magneto | | | Used on Engines With | 455 | 224250 | Cup-Starter |
| | | Used on Type No(s). | | | Band Brake. | 621 | 396847 | Switch-Stop |
| | | 0112, 0114, 4001. | 305 | 94513 | Screw-Hex Hd. Sem. | 851 | 221798 | Terminal-Ignition Cable |
| 258 | 94512 | Screw-Hex. Head | 332 | 92284 | Nut-Flywheel | 922 | 262640 | Spring-Brake |
| 304 | 493294 | Housing-Blower | 333 | 802574 | Armature-Magneto | 923 | 493442 | Brake Assembly |
| | | Used on Engines Without Band Brake. | 334 | 93381 | Screw-Armature Mounting | | | |

- ★ Included in Gasket Set-Part No. 493263
- Included in Carburetor Overhaul Kit-See Ref. 121.
- ◆ Included in Carburetor Gasket Set-Part No. 490937.

125700 to 125799

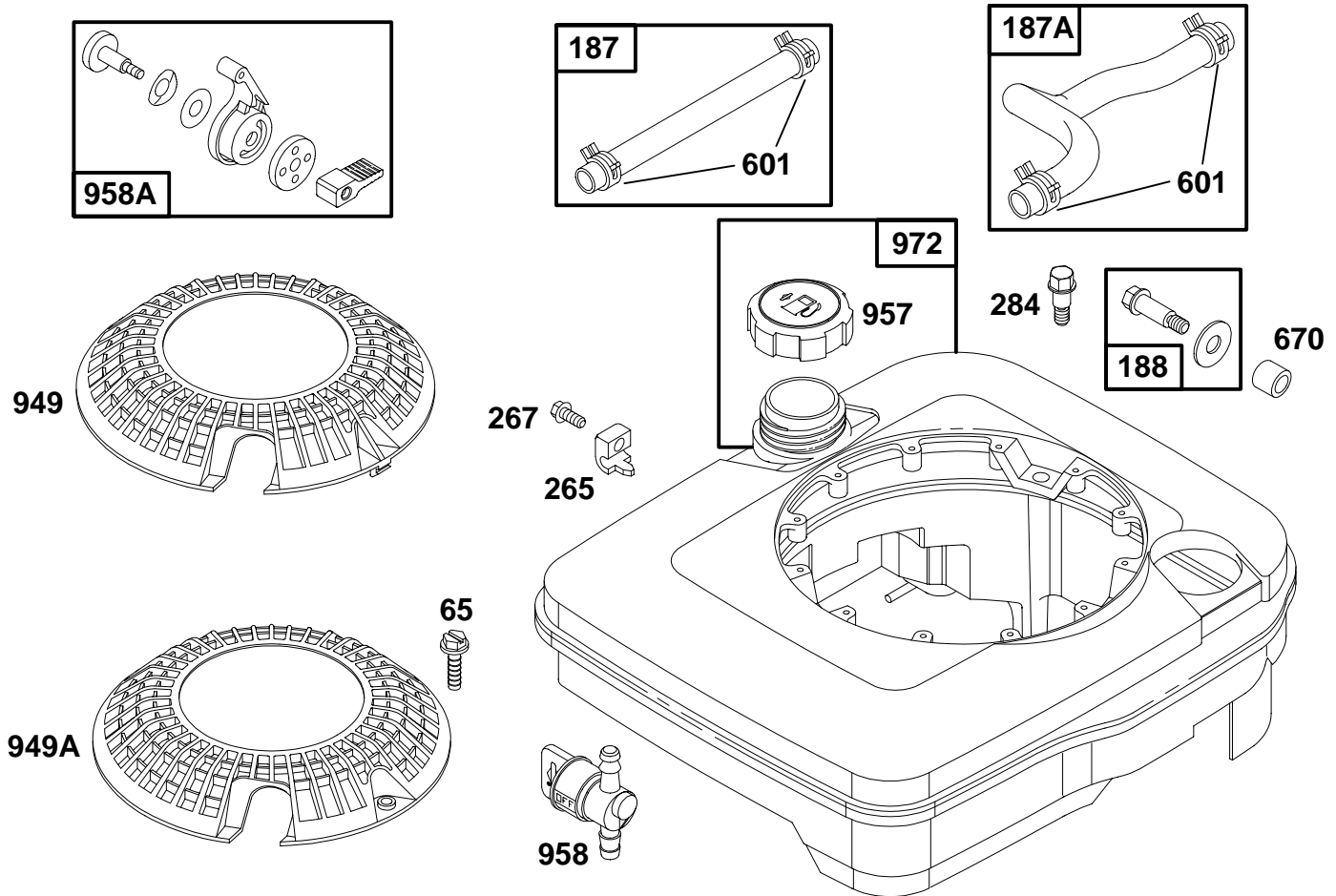


| REF. NO. | PART NO. | DESCRIPTION | REF. NO. | PART NO. | DESCRIPTION | REF. NO. | PART NO. | DESCRIPTION |
|----------|----------|--------------------------------------|----------|----------|-------------------------|----------|----------|----------------------|
| 55 | 492831 | Housing–Rewind Starter | 69 | 280973 | Washer–Rewind Starter | 515 | 262556 | Spring–Pawl |
| 56 | 492832 | Pulley–Rewind Starter | 69A | 224322 | Washer–Rewind Starter | 515A | 262625 | Spring–Torsion |
| 57 | 262594 | Spring–Rewind Starter | 456 | 224321 | Retainer–Rewind Starter | 608 | 493295 | Starter Assy.–Rewind |
| 58 | 280399 | Rope–Rewind Starter (Cut to 88-5/8") | 459 | 492833 | Pawl–Starter | | | Include(s): |
| 59 | 396892 | Insert–Handle | 461 | 262626 | Pin–Starter | 94128 | | Screw–Hex. Hd |
| 60 | 393152 | Handle–Rewind Starter | | | | 92987 | | Nut–Hex. |
| | | | | | | 1016 | 224278 | Cover–Rewind Starter |

- ★ Included in Gasket Set–Part No. 493263
- Included in Carburetor Overhaul Kit–See Ref. 121.
- ◆ Included in Carburetor Gasket Set–Part No. 490937.

2162–8

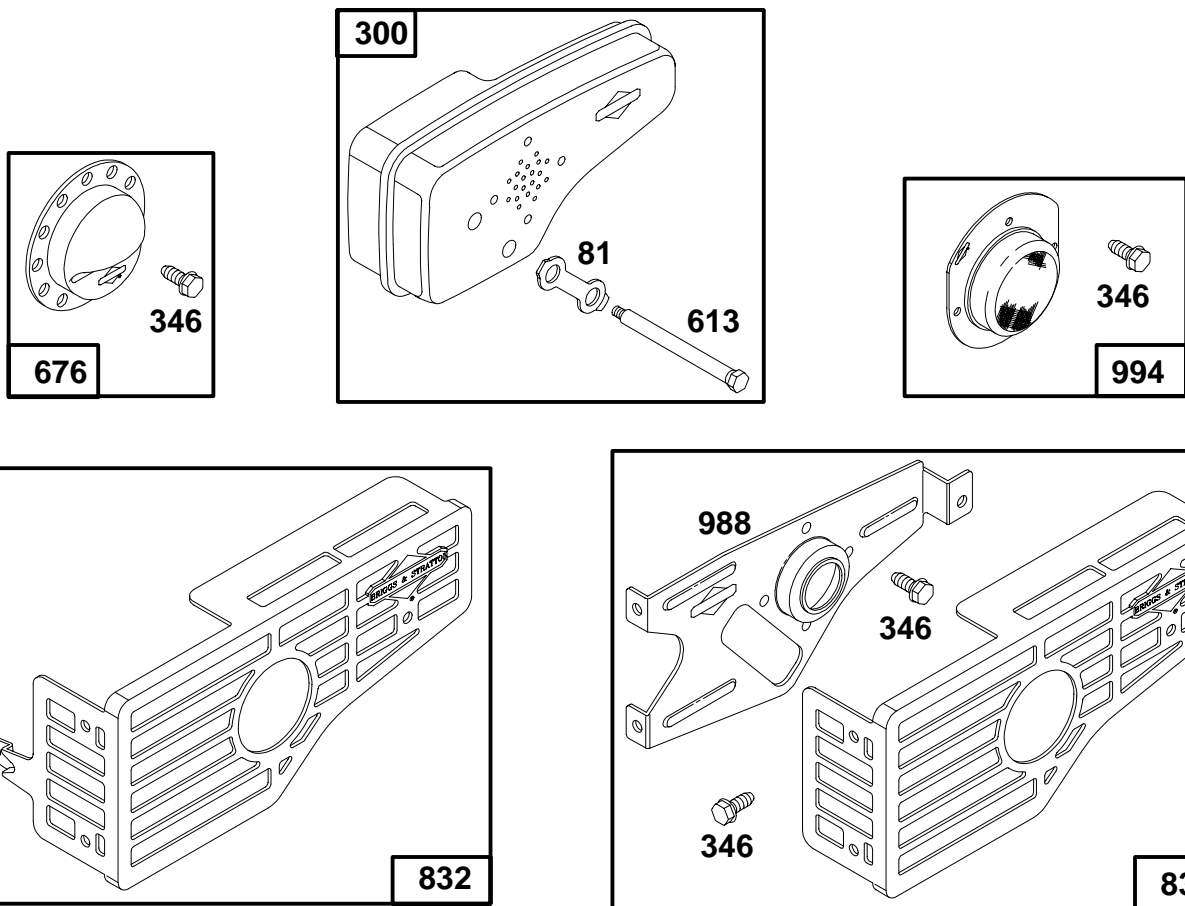
Assemblies include all parts shown in frames.



| REF. NO. | PART NO. | DESCRIPTION | REF. NO. | PART NO. | DESCRIPTION | REF. NO. | PART NO. | DESCRIPTION |
|----------|----------|---|----------|----------|---|----------|----------|---|
| 65 | 94058 | Screw-Guard Mtg. | 670 | 280512 | Spacer-Fuel Tank | | | 494340 Tank Assy.-Fuel (1.5 Quart, Black) (Used Before Code Date 90092400). |
| 187 | 492790 | Hose-Fuel (Cut to Suit) | 949 | 281136 | Guard-Finger (Snap-In Style) | | | |
| 187A | 492791 | Hose-Fuel (Cut to Suit) | 949A | 280946 | Guard-Finger (Screwed in Style) | | | Note 494356 Tank Assy.-Fuel (1.5 Quart, Red) Used on Type No(s). 0101-01, 0114-01, 0115-01, 3101-01, 4001-01. |
| 188 | 398540 | Screw-Tank Mounting (Includes Washer) | 957 | 397974 | Cap Assembly-Fuel | | | |
| 265 | 213146 | Clamp-Casing | 958 | 493960 | Valve-Fuel Shut-Off (In-Line) | | | |
| 267 | 94204 | Screw-Clamp Mtg. | 958A | 494235 | Valve-Fuel Shut-Off | | | |
| 284 | 94511 | Screw-Hex. Head | 972 | 494528 | Tank Assembly-Fuel (1.5 Quart, Black) (Used After Code Date 90092300). | | | |
| 601 | 93053 | Clamp-Hose (Green) 93807 Clamp-Hose (Black) | | | | | | |

★ Included in Gasket Set-Part No. 493263
 ● Included in Carburetor Overhaul Kit-See Ref. 121.
 ◆ Included in Carburetor Gasket Set-Part No. 490937.

125700 to 125799

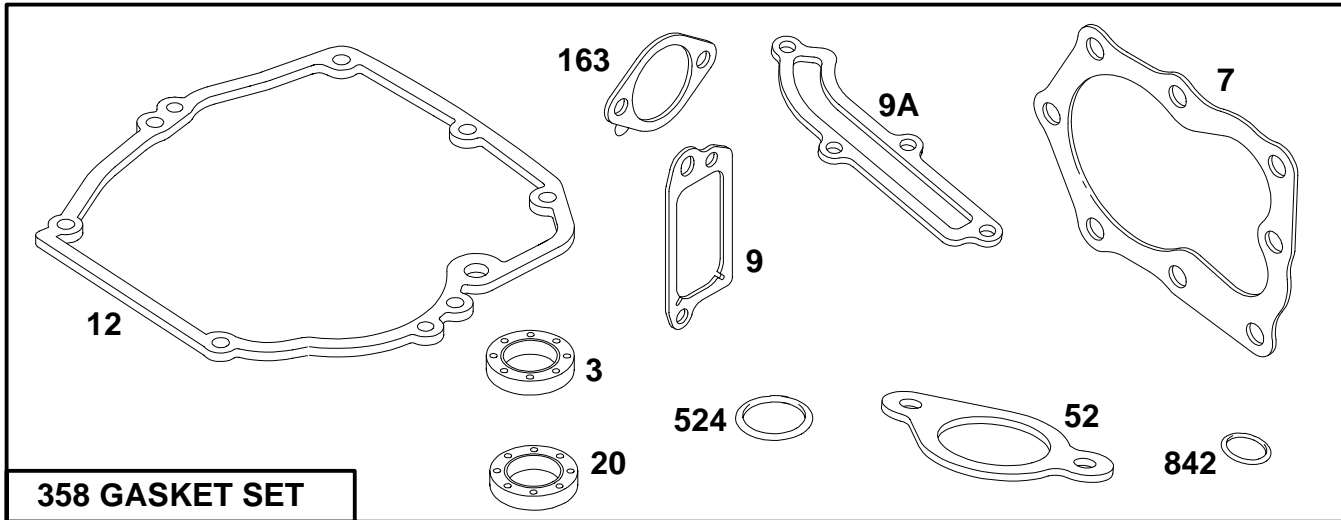


| REF. NO. | PART NO. | DESCRIPTION | REF. NO. | PART NO. | DESCRIPTION | REF. NO. | PART NO. | DESCRIPTION |
|----------|----------|--------------------|----------|----------|------------------------|----------|----------|-----------------------|
| 81 | 223664 | Lock-Muffler Screw | 613 | 94231 | Screw-Muffler Mounting | 832A | 494224 | Guard-Muffler |
| 300 | 490547 | Muffler-Exhaust | 676 | 396548 | Deflector-Exhaust | 988 | 223828 | Bracket-Muffler Guard |
| 346 | 93705 | Screw-Hex. Head | 832 | 494224 | Guard-Muffler | 994 | 398067 | Arrester-Spark |
| 346A | 94602 | Screw-Hex. Head | | | | | | |

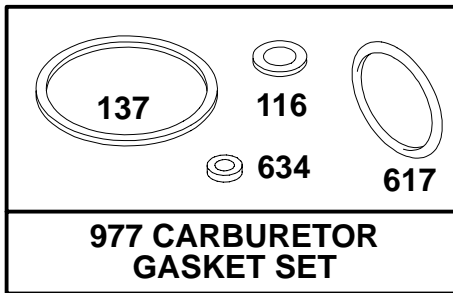
- ★ Included in Gasket Set-Part No. 493263
- Included in Carburetor Overhaul Kit-See Ref. 121.
- ◆ Included in Carburetor Gasket Set-Part No. 490937.

2162-10

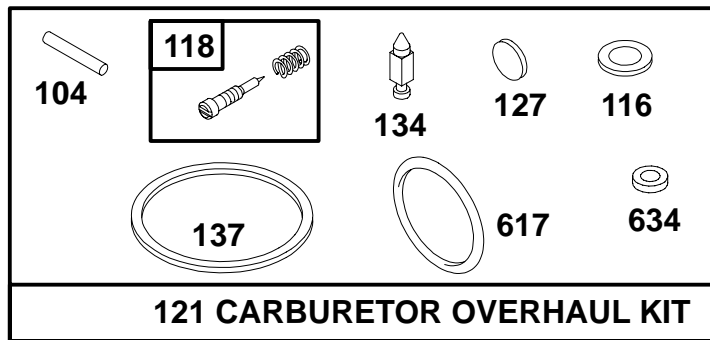
Assemblies include all parts shown in frames.



358 GASKET SET



977 CARBURETOR GASKET SET



121 CARBURETOR OVERHAUL KIT

| REF. NO. | PART NO. | DESCRIPTION | REF. NO. | PART NO. | DESCRIPTION | REF. NO. | PART NO. | DESCRIPTION |
|----------|----------|---|----------|----------|---|----------|----------|--|
| 3 | ★299819 | Seal—Oil | 121 | 493762 | Carburetor Overhaul Kit (Used After Code Date 90060300). | 127 | ● | Plug—Welch |
| 7 | ★272200 | Gasket—Cylinder Hd. | | | | 134 | ●398188 | Valve—Inlet (Includes Seat) |
| 9 | ★271904 | Gasket—Valve Cover | | | | 137 | ◆◆ | Gasket—Bowl (Sold in Kit Only). |
| 9A | ★272238 | Gasket—Baffle Plate | | | | 163 | ★272296 | Gasket—Air Cleaner |
| 12 | ★272198 | Gasket—Crankcase | | | | 358 | 493263 | Gasket Set |
| 20 | ★399781 | Seal—Oil | | | | 524 | ★280393 | Seal—Filler Tube |
| 52 | ★272199 | Gasket—Intake Elbow | | | | 617 | ◆◆270344 | Seal—Fuel Intake Tube (Sold in Kit Only). |
| 104 | ◆231371 | Pin—Float Hinge | | | | 634 | ◆◆ | Washer—Shaft (Sold in Kit Only). |
| 116 | ◆◆ | Gasket—Sealing (Sold in Kit Only). | | | | 842 | ★280966 | Seal—O-Ring |
| 118 | ◆493765 | Valve and Spring—Needle (Used After Code Date 90060300). | | | | 977 | 490937 | Gasket Set—Carburetor |

★ Included in Gasket Set—Part No. 493263
 ● Included in Carburetor Overhaul Kit—See Ref. 121.
 ◆ Included in Carburetor Gasket Set—Part No. 490937.