

10C900 to 10C999

Illustrated Parts List

Model Series

10C900 to 10C999

TYPE NUMBERS
0102, 0115, 0116,
0125,
0128 through 0134,
2002, 2028, 2029,
2030, 2032, 2034,
2035, 2036, 2037,
2038.

TO FIND
THE CORRECT NUMBER OF THE PART YOU NEED:
FOLLOW THE INSTRUCTIONS BELOW

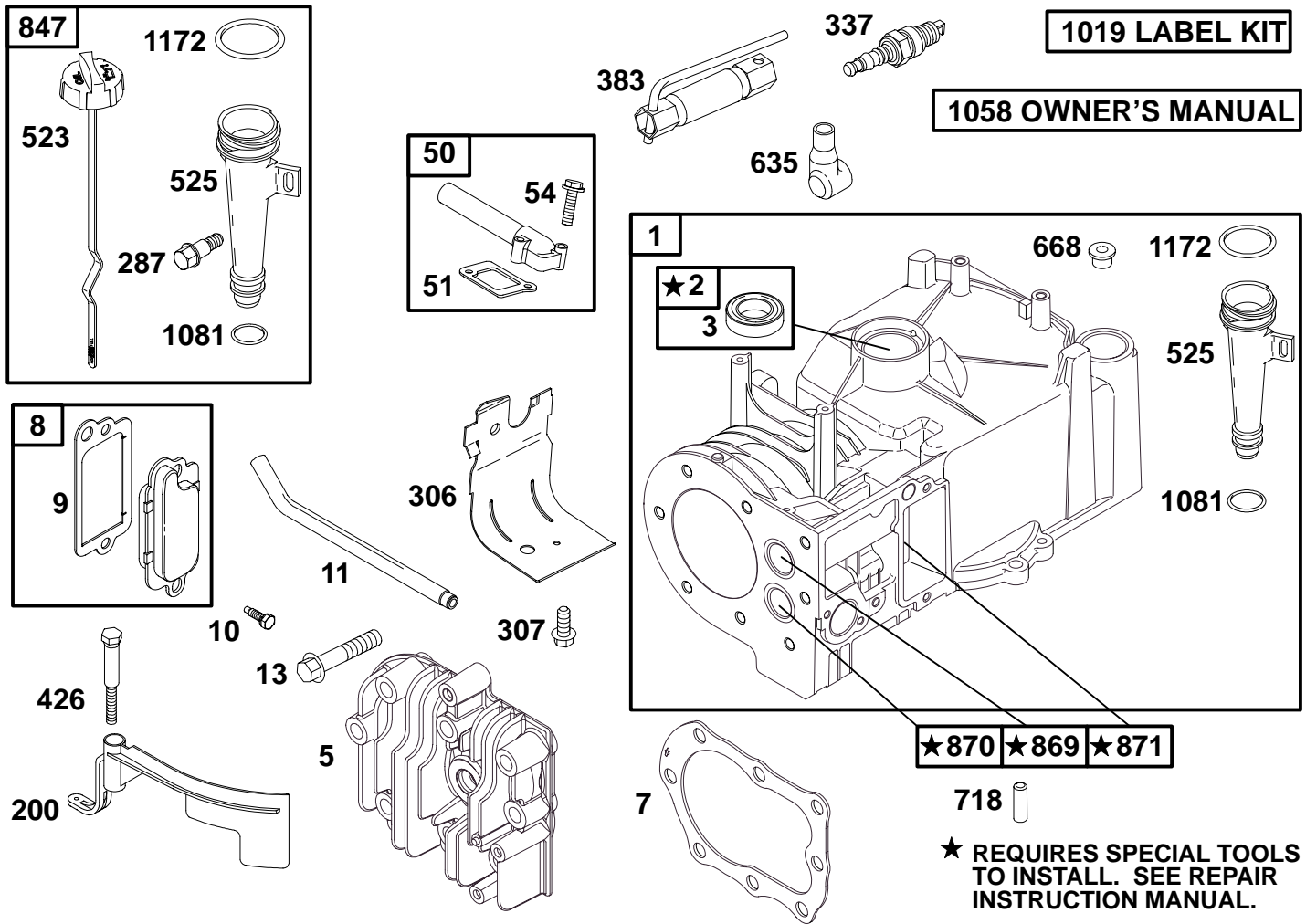
- A. Refer to Engine Model, Type and Code Number that is stamped on the blower housing of engine. Engine type numbers such as 0123 01 are listed only as 0123 in most instances. The two digits (01 or 02, etc.) to the right of the space may be required for more accurate parts identification in some instances. Select the Illustrated Parts List covering the correct Model Series and Type Number.
- B. Refer to the Illustrations and compare the original part with Illustration. The number next to the illustration is the Reference Number. Assemblies include all parts shown in frames. All parts shown in assembly frames having individual reference numbers can be purchased separately.
- C. After the Reference Number has been identified, refer to the Numerical text, where Reference and Primary Part Number are listed. **THE PRIMARY PART IS USED ON ALL TYPE NUMBERS EXCEPT THOSE TYPE NUMBERS UNDER "NOTE."**
- D. If a "Note" appears below the Primary Part Number, it means that this part differs from the Primary Part for certain types. If your Type number is listed under "Note," order the part referred to at the "Note."
- E. If your Engine Type Number does not appear after any part number listed under "Note," use the Primary Part Number.
- F. For Engine Type Numbers not covered by this book, check other Parts Lists having the same engine model or contact your source of supply.

PRINTED IN U.S.A.



COPYRIGHT by BRIGGS & STRATTON CORPORATION
All rights reserved. No part of this material may be reproduced or transmitted, in any form or by any means, electronic or mechanical, including photocopying, recording or by any information storage and retrieval system, without permission in writing from Briggs & Stratton Corporation.

10C900 to 10C999



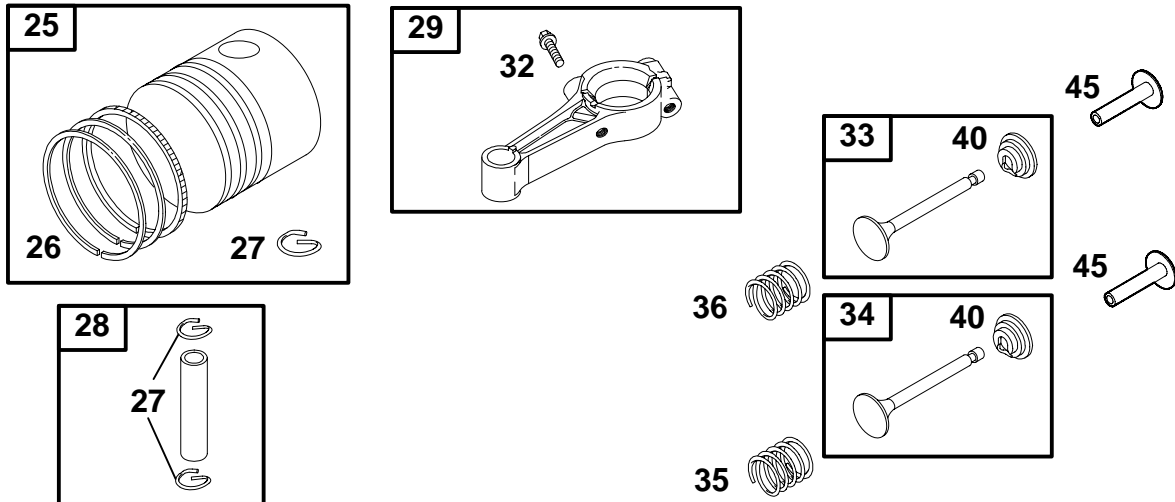
★ REQUIRES SPECIAL TOOLS TO INSTALL. SEE REPAIR INSTRUCTION MANUAL.

REF. NO.	PART NO.	DESCRIPTION	REF. NO.	PART NO.	DESCRIPTION	REF. NO.	PART NO.	DESCRIPTION
1	399164	Cylinder Assembly	200	281024	Governor Blade	870	211291	Valve Seat (Exhaust)
2	399269	Bushing/Seal Kit (Magneto Side)	287	94073	Screw (Dipstick Tube)	871	231348	Bushing Guide (Exhaust Valve)
3	★299819	Oil Seal (Magneto Side)	306	690400	Cylinder Shield (Cylinder Shield)	———— Note ————		
5	690386	Cylinder Head	307	690345	Screw (Cylinder Shield)	63709		Bushing Guide (Intake Valve)
7	★Ø272694	Cylinder Head Gasket	337	802592	Spark Plug	1019	497624	Label Kit
8	495785	Breather Assembly	383	89838	Spark Plug Wrench	1058	273690	Owner's Manual (Used After Code Date 97063000).
9	★Ø272602	Breather Gasket	426	691107	Screw (Governor Blade)	———— Note ————		
10	94621	Screw (Breather)	523	497968	Dipstick	272308		Owner's Manual (Used Before Code Date 97070100).
11	691245	Breather Tube	525	691320	Dipstick Tube	1081	★271485	O-Ring Seal (Dipstick Tube)
13	691697	Screw (Cylinder Head)	635	66538	Spark Plug Boot	1172	★270920	O-Ring Seal (Dipstick)
50	298775	Intake Manifold	668	692889	Spacer			
51	★270345	Intake Gasket	718	230192	Locating Pin			
54	691111	Screw (Intake Manifold)	847	691440	Dipstick/Tube Assembly			
			869	211172	Valve Seat (Intake)			

★ Included in Engineb Gasket Set—Ref. No. 358.

Ø Included in Valve Overhaul Gasket Set—Ref. No. 1095.

10C900 to 10C999

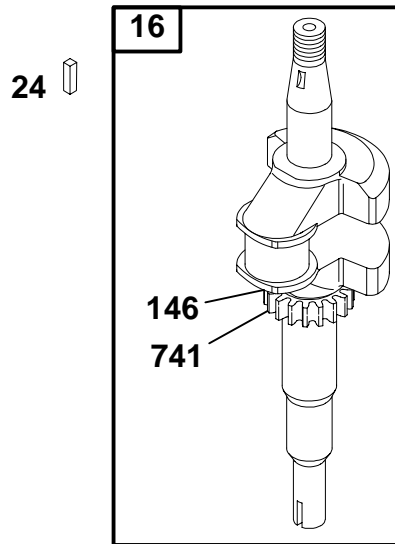


REF. NO.	PART NO.	DESCRIPTION	REF. NO.	PART NO.	DESCRIPTION	REF. NO.	PART NO.	DESCRIPTION
25	498668	Piston Assembly (Standard) (Used After Code Date 96020500). Note 298904 Piston Assembly (Standard) (Used Before Code Date 96020600). 498669 Piston Assembly (.010" O.S.) (Used After Code Date 96020500). 298905 Piston Assembly (.010" O.S.) (Used Before Code Date 96020600). 498670 Piston Assembly (.020" O.S.) (Used After Code Date 96020500). 298906 Piston Assembly (.020" O.S.) (Used Before Code Date 96020600).	26	498680	Ring Set (Standard) (Used After Code Date 96020500). Note 298982 Ring Set (Standard) (Used Before Code Date 96020600). 498681 Ring Set (.010" O.S.) (Used After Code Date 96020500). 298983 Ring Set (.010" O.S.) (Used Before Code Date 96020600). 498682 Ring Set (.020" O.S.)	33	296676	Exhaust Valve
						34	296677	Intake Valve
						35	260552	Valve Spring (Intake)
						36	260552	Valve Spring (Exhaust)
						40	93312	Valve Retainer
						45	230173	Valve Tappet
								(Used After Code Date 96020500). 298984 Ring Set (.020" O.S.) (Used Before Code Date 96020600). 498683 Ring Set (.030" O.S.) (Used After Code Date 96020500). 298985 Ring Set (.030" O.S.) (Used Before Code Date 96020600). 27 26026 Piston Pin Lock 28 298909 Piston Pin (Standard) 298908 Piston Pin (.005" O.S.) 29 496792 Connecting Rod 32 94699 Screw (Connecting Rod) 33 296676 Exhaust Valve 34 296677 Intake Valve 35 260552 Valve Spring (Intake) 36 260552 Valve Spring (Exhaust) 40 93312 Valve Retainer 45 230173 Valve Tappet

★ Included in Engine Gasket Set—Ref. No. 358.

⊘ Included in Valve Overhaul Gasket Set—Ref. No. 1095.

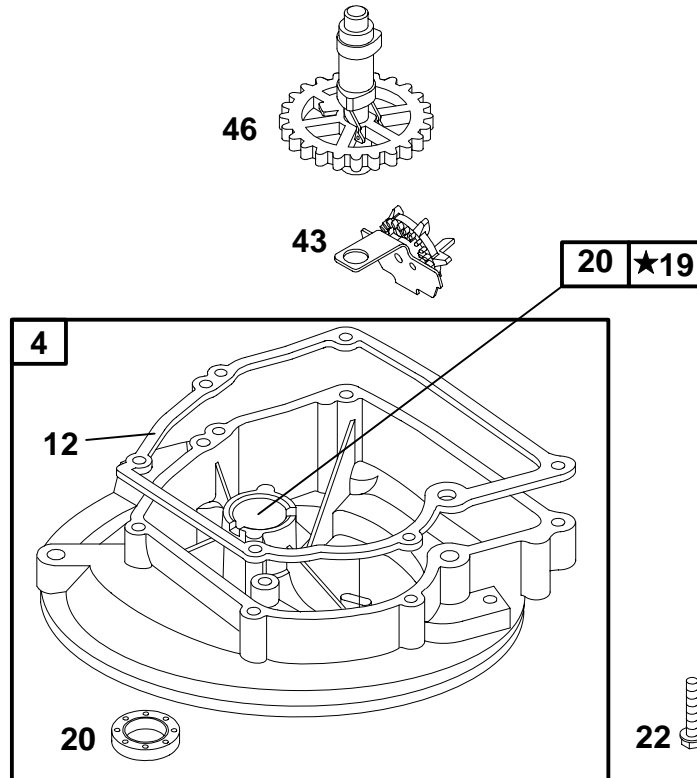
10C900 to 10C999



REF. NO.	PART NO.	DESCRIPTION	REF. NO.	PART NO.	DESCRIPTION	REF. NO.	PART NO.	DESCRIPTION
16	496838	Crankshaft Note 691472 Crankshaft Used on Type No(s). 2029, 2032, 2035. 691471 Crankshaft Used on Type No(s). 2002, 2028, 2030, 2034, 2037, 2038. 691406 Crankshaft Used on Type No(s). 0102, 0128, 0130, 0131, 0134 692989 Crankshaft Used on Type No(s). 2036.	24 146	222698 499047	Flywheel Key Timing Key	741	261533	Timing Gear

★ Included in Engine Gasket Set—Ref. No. 358.

∅ Included in Valve Overhaul Gasket Set—Ref. No. 1095.



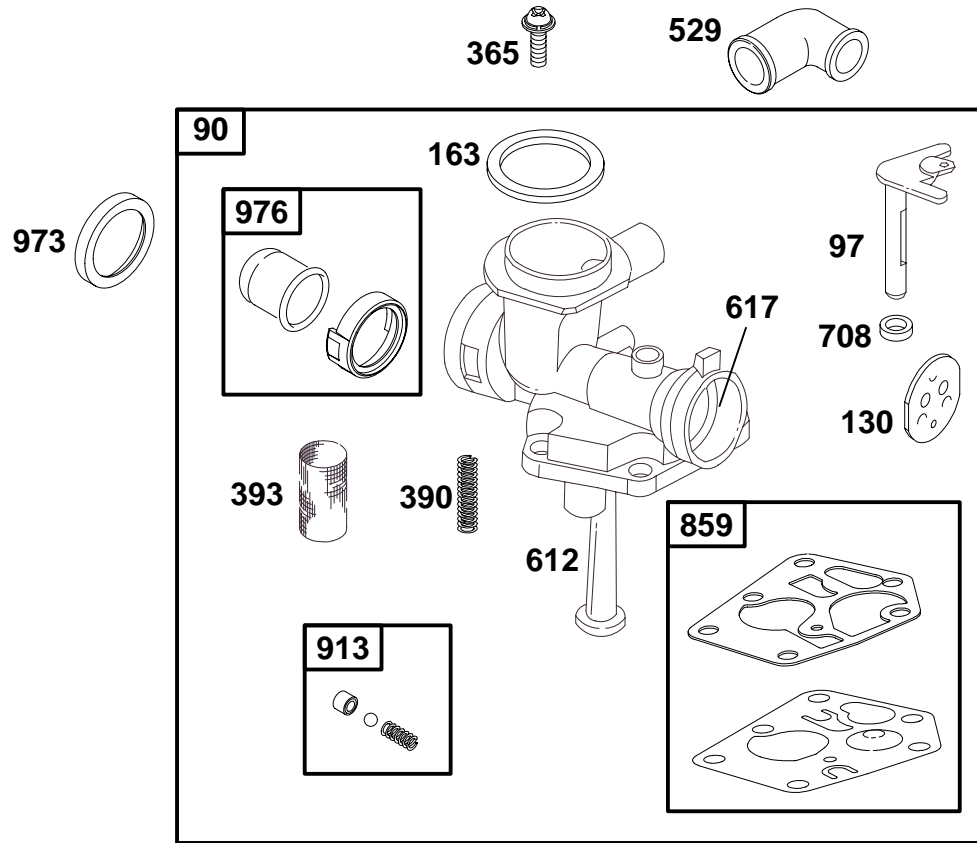
★ **REQUIRES SPECIAL TOOLS TO INSTALL. SEE REPAIR INSTRUCTION MANUAL.**

REF. NO.	PART NO.	DESCRIPTION	REF. NO.	PART NO.	DESCRIPTION	REF. NO.	PART NO.	DESCRIPTION
4	395384	Engine Sump	15	94880	Oil Drain Plug	22	94682	Screw (Crankcase Cover/ Sump)
12	★270833	Crankcase Gasket (.015" Thick, Standard)	19	293709	Bushing/Seal Kit (PTO Side)	43	491688	Governor/Oil Slinger
		Note	20	★391483	Oil Seal (PTO Side)	46	493747	Camshaft
		★270895 Crankcase Gasket (.005" Thick)						
		★270896 Crankcase Gasket (.009" Thick)						

★ Included in Engine Gasket Set—Ref. No. 358.

Ø Included in Valve Overhaul Gasket Set—Ref. No. 1095.

10C900 to 10C999

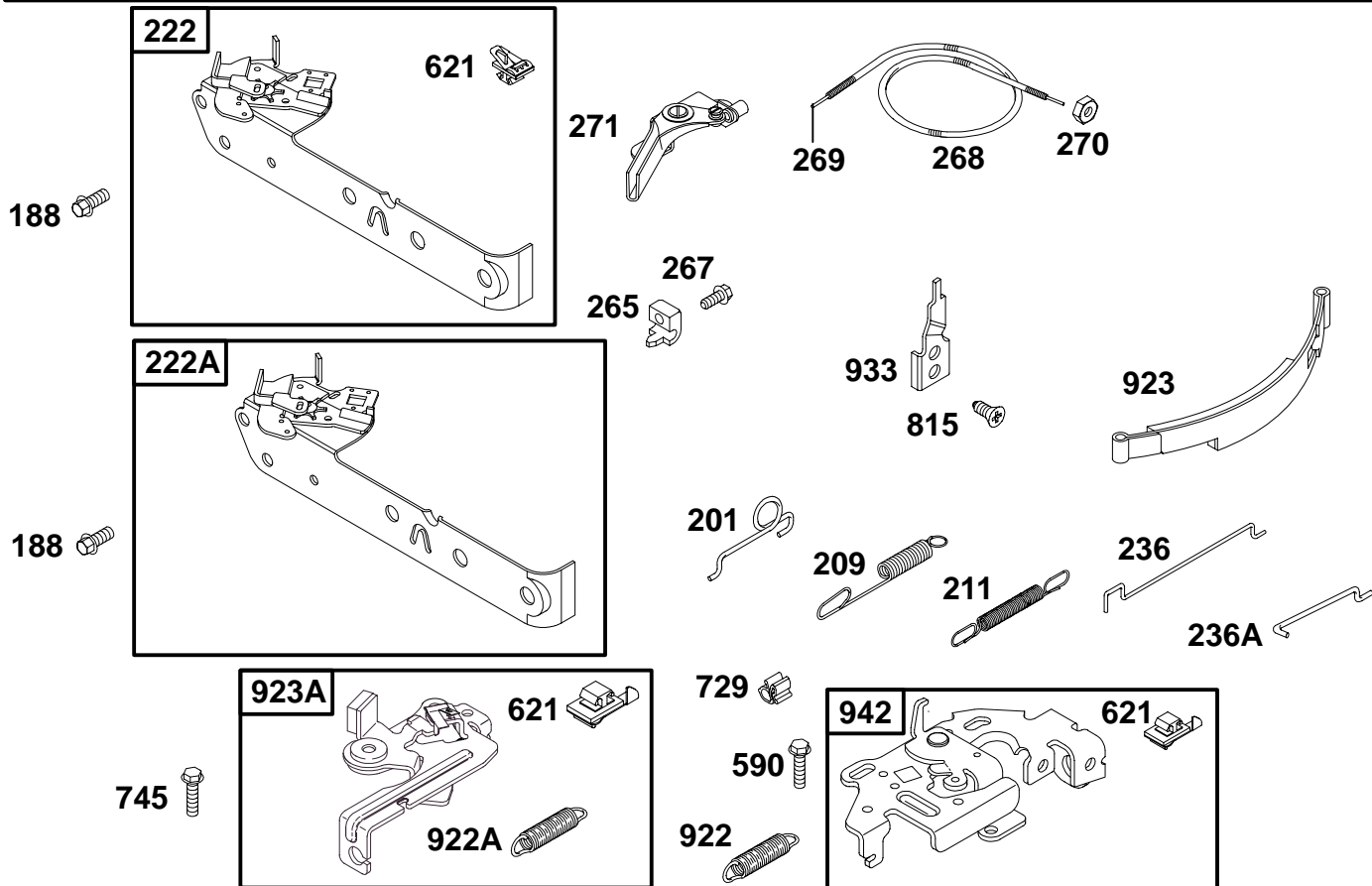


REF. NO.	PART NO.	DESCRIPTION	REF. NO.	PART NO.	DESCRIPTION	REF. NO.	PART NO.	DESCRIPTION
90	498811	Carburetor (Used After Code Date 96041900). Note 497619 Carburetor (Used Before Code Date 96052000).	390	262764	Choke Diaphragm Spring	973	691347	Trim Ring (Primer Bulb) (Used Before Code Date 99110100).
97	281437	Throttle Shaft	393	262734	Carburetor Screen	976	694394	Carburetor Primer (Used After Code Date 99103100). Note
130	691190	Throttle Valve	529	67838	Grommet	494408		Carburetor Primer (Used Before Code Date 99110100).
163	*271139	Air Cleaner Gasket	612	496046	Pickup Tube (Intake Manifold)			
365	94924	Screw (Carburetor)	617	270344	O-Ring Seal			
			708	691321	Dust Seal (Throttle Shaft)			
			859	495770	Pump Diaphragm			
			913	494409	Check Valve Seat			

★ Included in Engine Gasket Set—Ref. No. 358.

⊘ Included in Valve Overhaul Gasket Set—Ref. No. 1095.

10C900 to 10C999

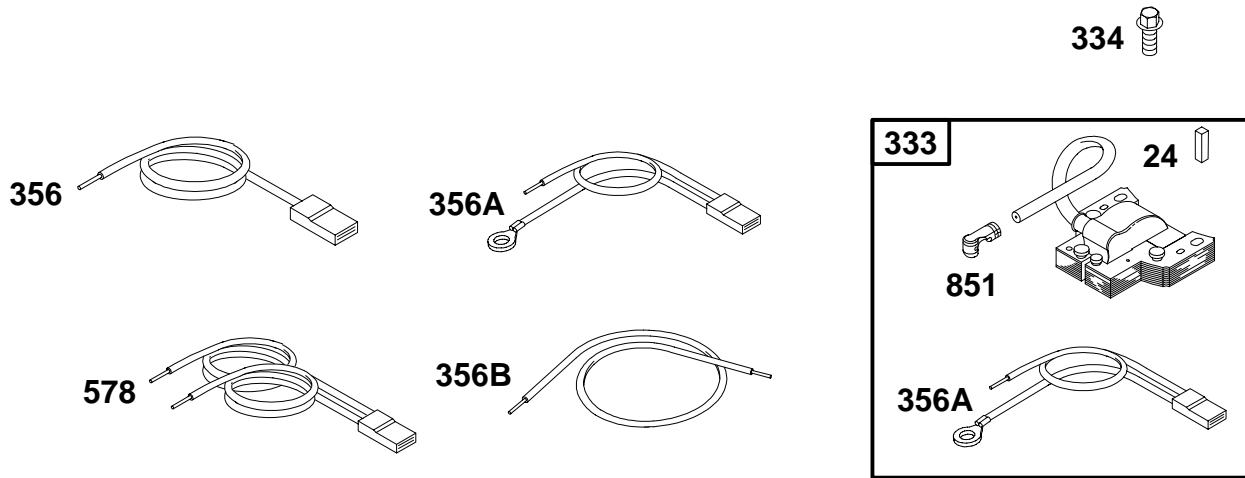


REF. NO.	PART NO.	DESCRIPTION	REF. NO.	PART NO.	DESCRIPTION	REF. NO.	PART NO.	DESCRIPTION
188	94786	Screw (Control Bracket)			691297 Governor Spring Used on Type No(s). 2028, 2029, 2032, 2034, 2035.	269	26099	Control Wire (Cut to Required Length)
201	262753	Air Vane Link				270	63426	Nut (Control Wire Casing)
209	263116	Governor Spring				271	290568	Control Lever
		Note				590	94902	Screw (Brake Bracket)
		262760 Governor Spring Used on Type No(s). 0125.	211	263109	Governed Idle Spring	621	396847	Stop Switch
		262761 Governor Spring Used on Type No(s). 2036.	222	691446	Control Bracket	729	690586	Wire Clip
		263117 Governor Spring Used on Type No(s). 0131, 2037.	222A	691445	Control Bracket Used on Type No(s). 0128, 0129, 0130, 0131, 0132, 0134, 2028, 2029, 2030, 2032, 2034, 2035, 2036, 2037.	745	691146	Screw (Brake)
		690251 Governor Spring Used on Type No(s). 0132, 2002, 2030, 2038.	236	263247	Lock Out Link	815	690324	Screw (Band Brake Pivot)
			236A	262461	Lock Out Link	922	261647	Brake Spring
			265	213146	Casing Clamp	922A	692135	Brake Spring
			267	94882	Screw (Casing Clamp)	923	394867	Brake
			268	691072	Control Wire Casing Cut to Required Length)	923A	691487	Brake Used on Type No(s). 2002, 2028, 2029, 2038.
						933	690428	Band Brake Pivot
						942	493248	Brake Bracket

★ Included in Engine Gasket Set—Ref. No. 358.

⊘ Included in Valve Overhaul Gasket Set—Ref. No. 1095.

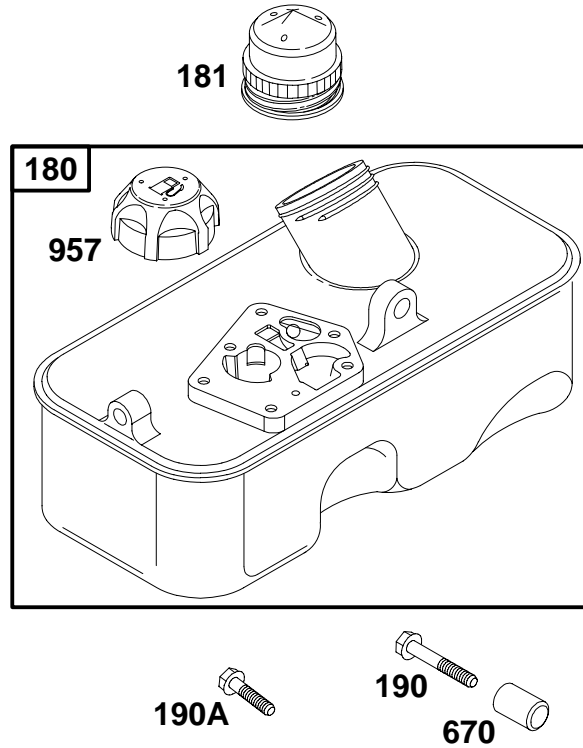
10C900 to 10C999



REF. NO.	PART NO.	DESCRIPTION	REF. NO.	PART NO.	DESCRIPTION	REF. NO.	PART NO.	DESCRIPTION
24	222698	Flywheel Key			(Magneto Armature)	356B	494250	Stop Wire
333	496914	Magneto Armature	356	692390	Stop Wire	578	398153	Wire Assembly
334	94731	Screw	356A	398808	Stop Wire	851	493880	Spark Plug Terminal

★ Included in Engine Gasket Set—Ref. No. 358.

∅ Included in Valve Overhaul Gasket Set—Ref. No. 1095.

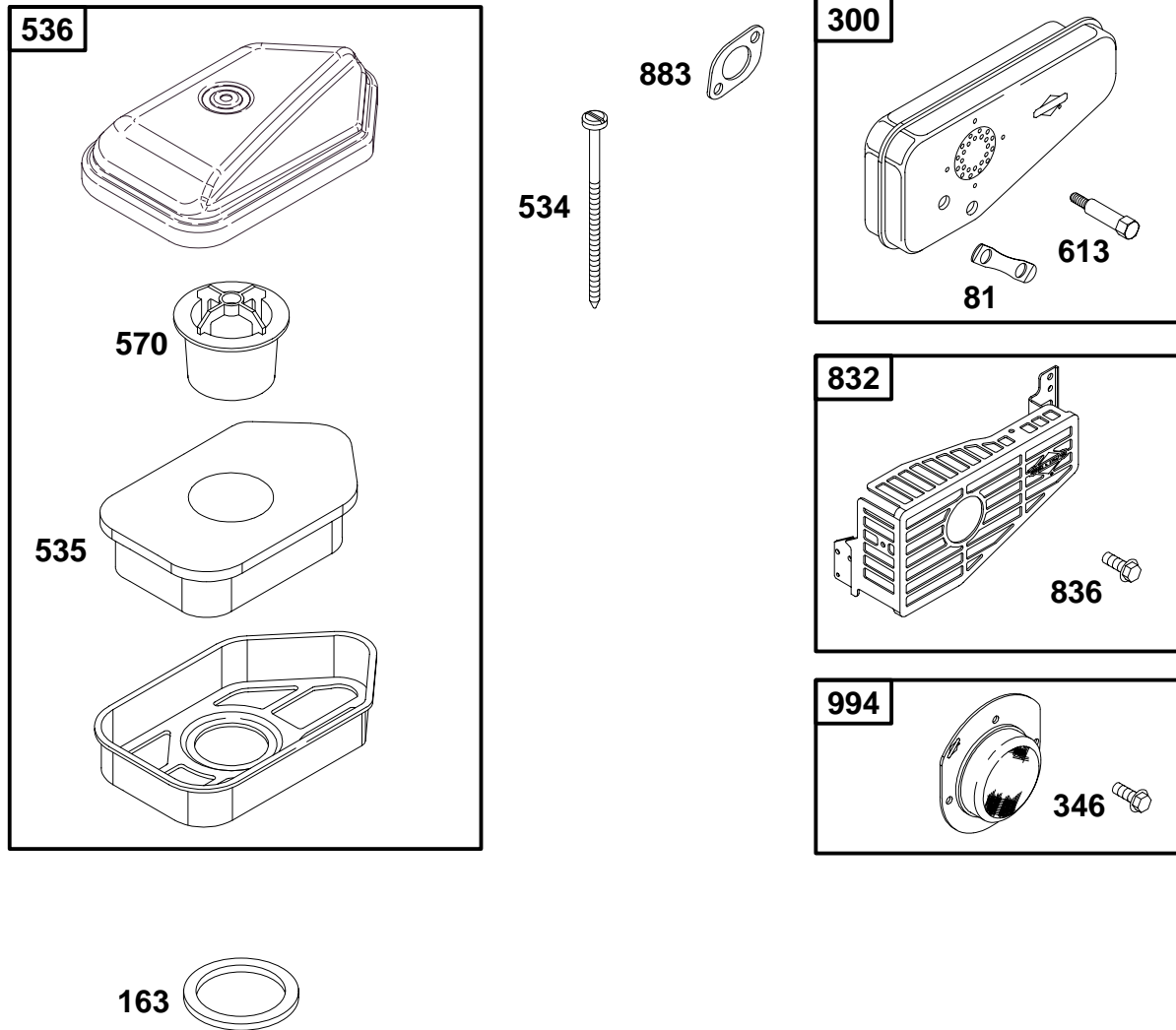


REF. NO.	PART NO.	DESCRIPTION	REF. NO.	PART NO.	DESCRIPTION	REF. NO.	PART NO.	DESCRIPTION
180	494406	Fuel Tank (Metal)	670	94047	Fuel Tank Spacer (Used After Code Date 97071300).	957	497929	Fuel Tank Cap (Plastic)
181	493982	Fuel Tank Cap Used on Type No(s). 0125.	Note 94038 Fuel Tank Spacer (Used Before Code Date 97071400).					
190	691967	Screw (Fuel Tank)						
190A	94786	Screw (Fuel Tank)						

★ Included in Engine Gasket Set—Ref. No. 358.

∅ Included in Valve Overhaul Gasket Set—Ref. No. 1095.

10C900 to 10C999

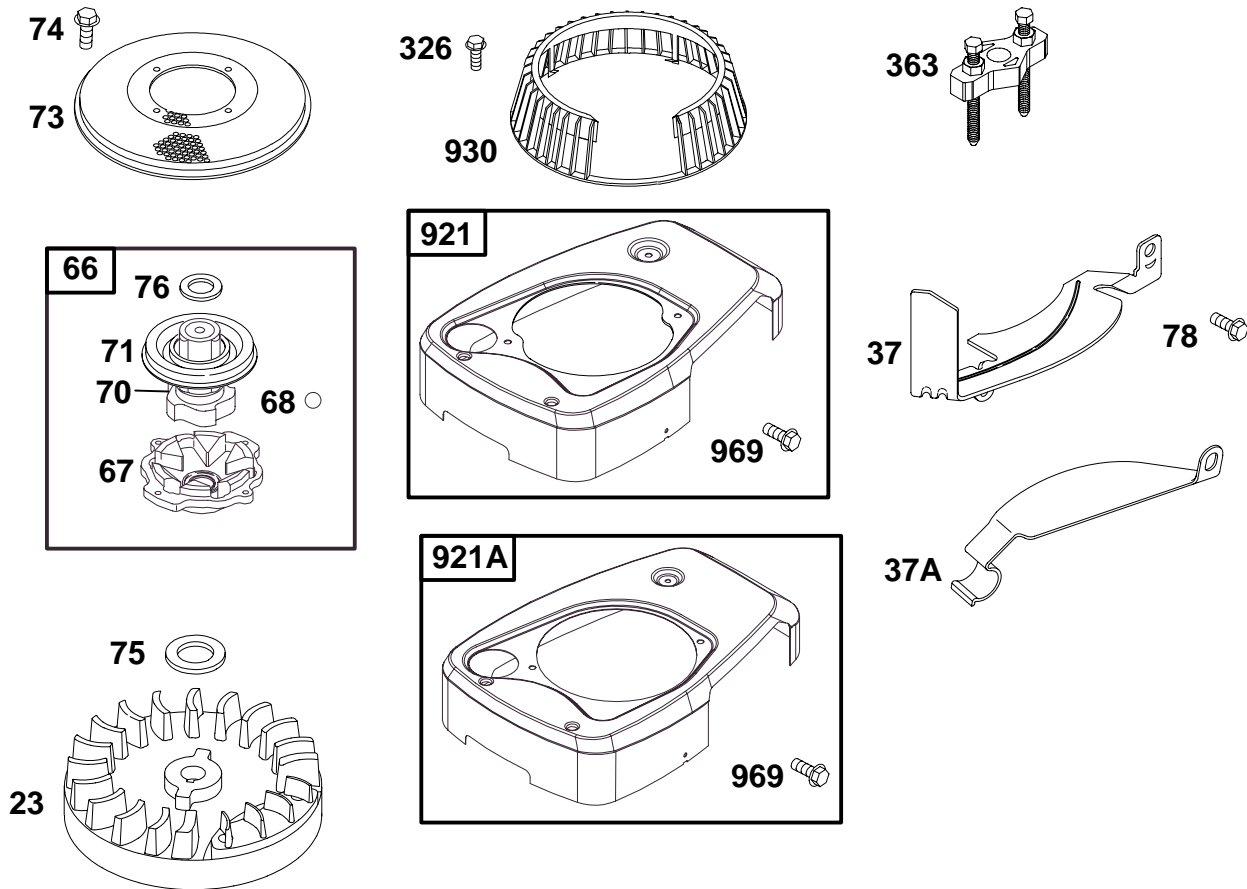


REF. NO.	PART NO.	DESCRIPTION	REF. NO.	PART NO.	DESCRIPTION	REF. NO.	PART NO.	DESCRIPTION
81	691179	Muffler Screw Lock	535	272235	Air Cleaner Foam Filter	832	494896	Muffler Guard
163	★271139	Air Cleaner Gasket	536	497628	Air Cleaner	836	94874	Screw (Muffler Guard)
300	394644	Exhaust Muffler	570	280972	Foam Element Support	883	∅★272252	Exhaust Gasket
346	94876	Screw (Spark Arrester)	613	93935	Screw (Exhaust Muffler)	994	398067	Spark Arrestor
534	93865	Screw (Air Cleaner)						

★ Included in Engine Gasket Set—Ref. No. 358.

∅ Included in Valve Overhaul Gasket Set—Ref. No. 1095.

10C900 to 10C999

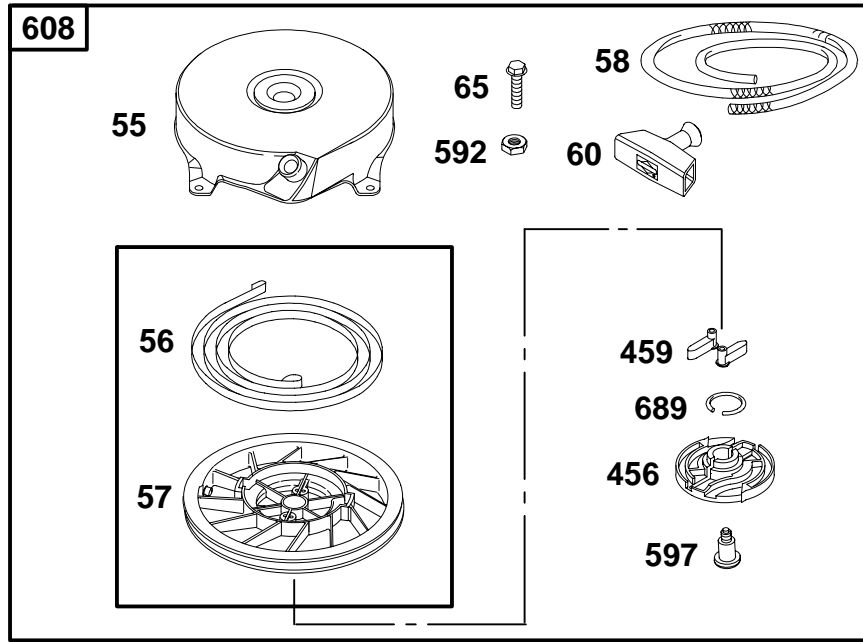


REF. NO.	PART NO.	DESCRIPTION	REF. NO.	PART NO.	DESCRIPTION	REF. NO.	PART NO.	DESCRIPTION
23	495046	Flywheel Note 690843 Flywheel Used on Type No(s). 0131, 2036, 2037.	73	221661	Rotating Screen (Used Before Code Date 97061600).	921A	499247	Blower Housing Cover
37	691209	Flywheel Guard	74	93758	Screw (Rotating Screen)	930	691330	Rewind Guard Note 691348 Rewind Guard Used on Type No(s). 2002, 2028, 2029, 2030, 2032, 2034, 2035, 2036, 2037, 2038.
37A	690482	Flywheel Guard	75	223047	Flywheel Washer	969	691141	Screw (Blower Housing Cover)
66	399671	Starter Clutch (Used Before Code Date 97061600).	76	68238	Ratchet Seal			
67	394897	Clutch Housing	78	94786	Screw (Flywheel Guard)			
68	63770	Clutch Ball	326	94977	Screw (Rewind Guard)			
70	298799	Clutch Ratchet	363	19069	Flywheel Puller			
71	691359	Ratchet Cover	921	499939	Blower Housing Cover			

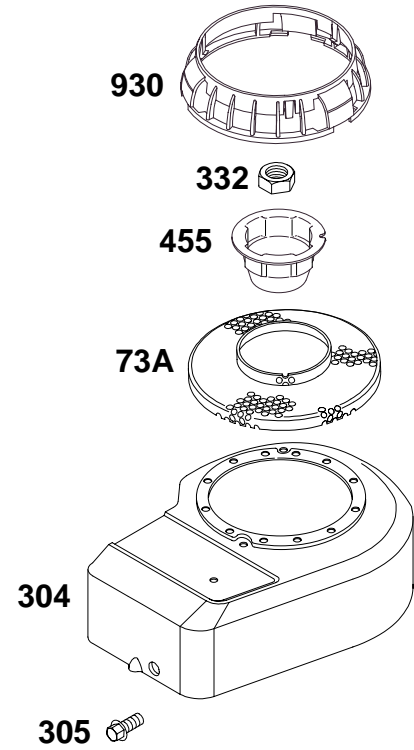
★ Included in Engine Gasket Set—Ref. No. 358.

⊘ Included in Valve Overhaul Gasket Set—Ref. No. 1095.

10C900 to 10C999



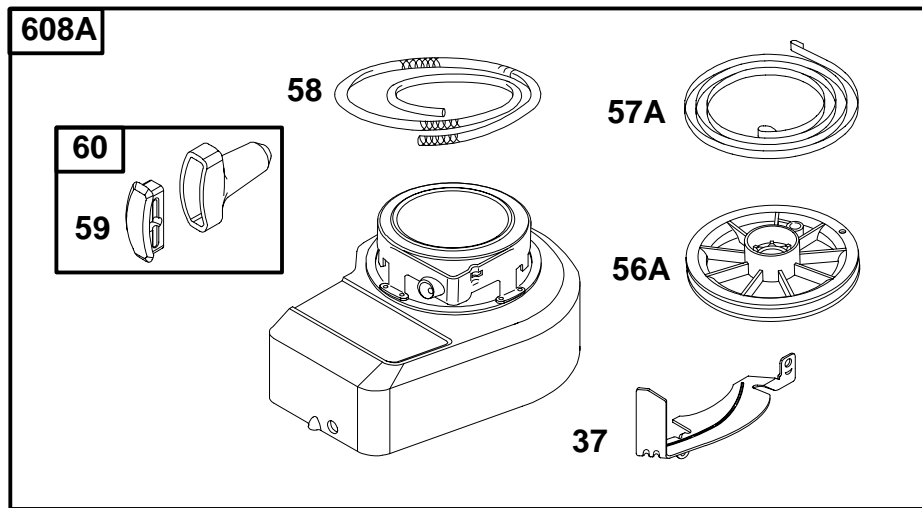
1036 EMISSIONS LABEL



REF. NO.	PART NO.	DESCRIPTION	REF. NO.	PART NO.	DESCRIPTION	REF. NO.	PART NO.	DESCRIPTION
55	692144	Rewind Starter Housing (Used After Code Date 97071300).	304	694236	Blower Housing Used on Compliance Engines (Used After Code Date 99010300). ———— Note ——— 691484 Blower Housing Used on Compliance Engines (Used Before Code Date 99010400). ———— Note ——— 694051 Blower Housing Used on Non Compliance Engines (Used After Code Date 99010300). ———— Note ——— 692536 Blower Housing Used on Non Compliance Engines (Used Before Code Date 99010400).	305	94786	Screw (Blower Housing)
56	499901	Starter Pulley				332	94877	Nut (Flywheel)
57	499901	Rewind Starter Spring				455	691236	Cup-Flywheel (Used After Code Date 97060500).
58	692259	Starter Rope				456	281503	Pawl Friction Plate
60	281101	Starter Rope Grip (Used After Code Date 97071300).				459	281505	Ratchet Pawl
65	94904	Screw (Rewind Starter)				592	690800	Nut (Rewind Starter)
73A	691235	Rotating Screen (Used After Code Date 97060500).				597	94943	Screw (Pawl Friction Plate)
						608	499706	Rewind Starter (Used After Code Date 97060500). ———— Note ——— 499926 Rewind Starter (Used After Code Date 97060500). Used on Type No(s). 0132.
						689	263073	Friction Spring
						930	691348	Rewind Guard
						1036	499337	Emissions Label (Used After Code Date 97063000).

★ Included in Engine Gasket Set—Ref. No. 358.

⊘ Included in Valve Overhaul Gasket Set—Ref. No. 1095.



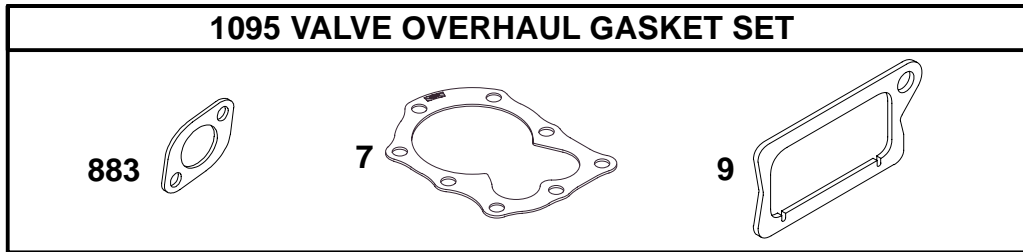
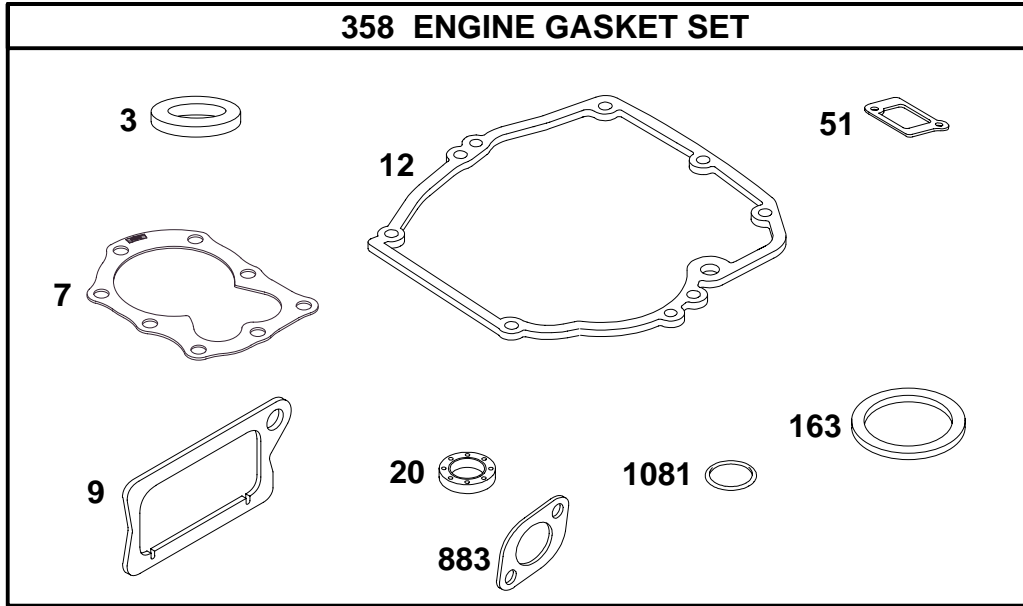
305 

REF. NO.	PART NO.	DESCRIPTION	REF. NO.	PART NO.	DESCRIPTION	REF. NO.	PART NO.	DESCRIPTION
37	691209	Flywheel Guard	59	396892	Grip Insert	608A	497813	Rewind Starter (Used Before Code Date 97060600). Used on Compliance Engines
56A	281336	Starter Pulley	60	393152	Starter Rope Grip			Note
57A	490179	Rewind Starter Spring	305	94786	Screw (Blower Housing)			499919 Rewind Starter (Used Before Code Date 97060600). Used on Non Compliance Engines
58	280406	Starter Rope (Cut to Required Length)						

★ Included in Engine Gasket Set—Ref. No. 358.

∅ Included in Valve Overhaul Gasket Set—Ref. No. 1095.

10C900 to 10C999



REF. NO.	PART NO.	DESCRIPTION	REF. NO.	PART NO.	DESCRIPTION	REF. NO.	PART NO.	DESCRIPTION
3	★299819	Oil Seal (Magneto Side)	20	★391483	Oil Seal (PTO Side)	1081	★271485	O-Ring Seal (Dipstick Tube Bottom)
7	★Ø272694	Cylinder Head Gasket	51	★270345	Intake Gasket	1095	498526	Valve Overhaul Gasket Set
9	★Ø272602	Breather Gasket	163	★271139	Air Cleaner Gasket			
12	★270833	Crankcase Gasket (.015" Thick, Standard)	358	298989	Engine Gasket Set			
		Note	883	Ø★272252	Exhaust Gasket			
		★270895 Crankcase Gasket (.005" Thick)						
		★270896 Crankcase Gasket (.009" Thick)						

★ Included in Engine Gasket Set—Ref. No. 358.

Ø Included in Valve Overhaul Gasket Set—Ref. No. 1095.